



Chipsmall Limited consists of a professional team with an average of over 10 year of expertise in the distribution of electronic components. Based in Hongkong, we have already established firm and mutual-benefit business relationships with customers from,Europe,America and south Asia,supplying obsolete and hard-to-find components to meet their specific needs.

With the principle of “Quality Parts,Customers Priority,Honest Operation,and Considerate Service”,our business mainly focus on the distribution of electronic components. Line cards we deal with include Microchip,ALPS,ROHM,Xilinx,Pulse,ON,Everlight and Freescale. Main products comprise IC,Modules,Potentiometer,IC Socket,Relay,Connector.Our parts cover such applications as commercial,industrial, and automotives areas.

We are looking forward to setting up business relationship with you and hope to provide you with the best service and solution. Let us make a better world for our industry!



Contact us

Tel: +86-755-8981 8866 Fax: +86-755-8427 6832

Email & Skype: info@chipsmall.com Web: www.chipsmall.com

Address: A1208, Overseas Decoration Building, #122 Zhenhua RD., Futian, Shenzhen, China

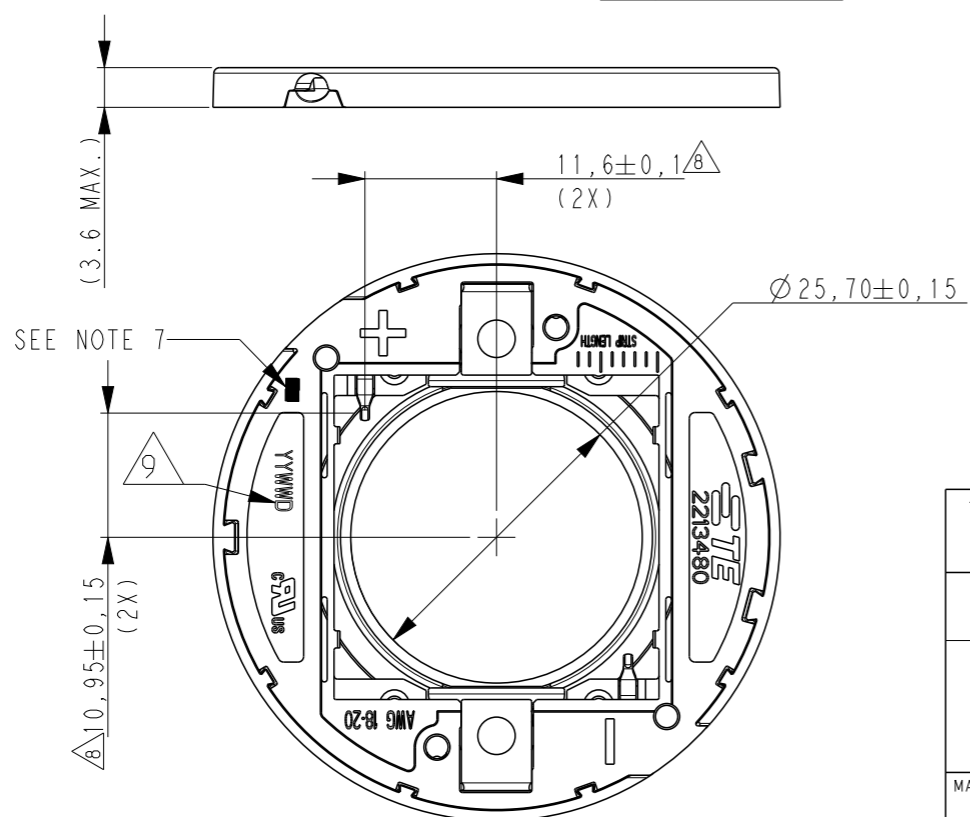
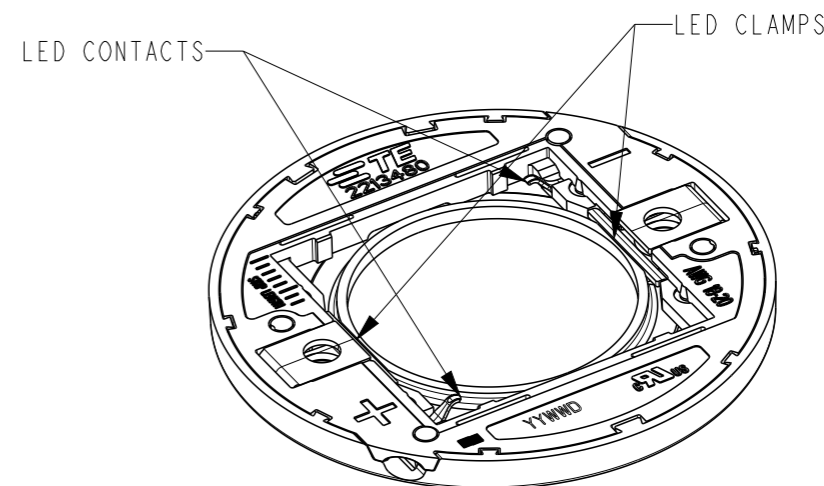
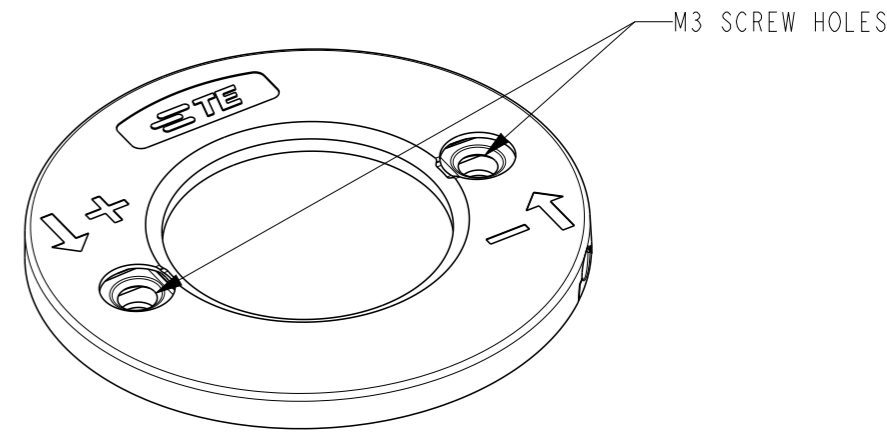
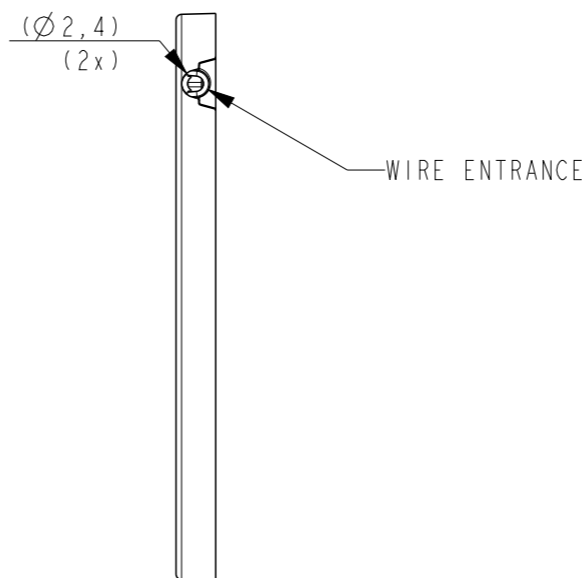
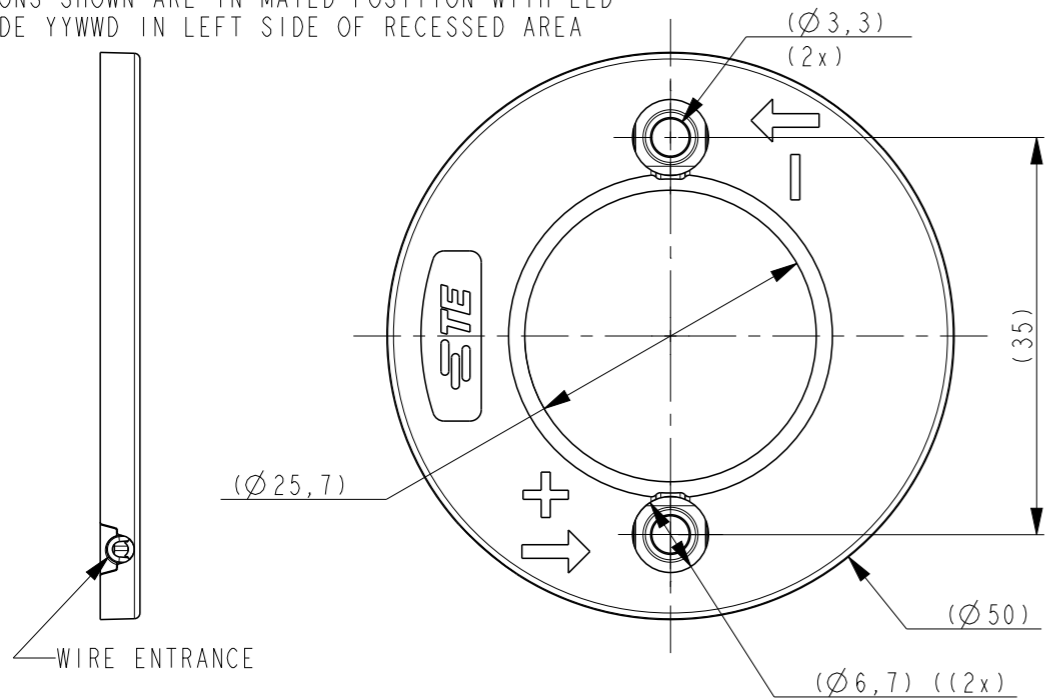


THIS DRAWING IS UNPUBLISHED. RELEASED FOR PUBLICATION
 © COPYRIGHT - BY TYCO ELECTRONICS CORPORATION. ALL RIGHTS RESERVED.

LOC	DIST	REVISIONS					
H	-	P	LTR	DESCRIPTION	DATE	DWN	APVD
		B		ECR-15-006869	02MAY2015	KR	OL
		C		ECR-16-008263	09JUN2016	KR	MvE
		C1		ECR-17-000133	05JAN2017	RK	MVE
		C2		ADDED RELEASED LEDS	28JAN2017	RK	MVE

NOTES:

- MATERIALS:
HOUSING: GLASS FILLED PBT, HALOGEN FREE FLAME RETARDANT
COLOR : WHITE
CONTACTS: GOLD PLATED COPPER ALLOY
 - FOR WIRE TYPES AWG 18 AND 20 AWG.
 - COMPLIES WITH DIRECTIVE 2002/95/EC (ROHS)
 - WIRE STRIP LENGTH: 7-8 mm
 - MAX. WIRE INSULATION OUTER DIAM.: $\varnothing 2.3\text{mm}$.
 - RECOMMENDED SCREW TORQUE: 0.4 - 0.6 Nm.
 - IN ORDER TO CREATE A FLAT OPTIC LANDING ZONE ON HOLDER A COUNTERSUNK SCREW CAN BE USED, I.E. SCREW-TYPE ISO 10642.
 - BLACK MARK INDICATES THE + (ANODE) SIDE
- 8
9
DIMENSIONS SHOWN ARE IN MATED POSITION WITH LED
DATE CODE YYWW IN LEFT SIDE OF RECESSED AREA



PART NO	DESCRIPTION	PACKAGING
2-2213480-1	Z50 LED HOLDER 2828	2x10 PIECES IN TRAY AND BOX 25 BOXES IN SHIPPING BOX
1-2213480-1	Z50 LED HOLDER 2828	2x10 PIECES IN TRAY AND BOX 25 BOXES IN SHIPPING BOX
2213480-2	LUMAWISE Z50 LED holder 2727 general	2x5 PIECES IN TRAY 56 TRAYS IN SHIPPING BOX
2213480-1	LUMAWISE Z50 LED holder 2828 general	2x5 PIECES IN TRAY 56 TRAYS IN SHIPPING BOX

THIS DRAWING IS A CONTROLLED DOCUMENT.

DWN 08APRIL2014 P. POORTER
 CHK 08APRIL2014 O. LEIJNSE
 APVD 08APRIL2014 O. LEIJNSE

TE Connectivity

NAME LUMAWISE Z50 high performance LED HOLDER

PRODUCT SPEC 108-133018
 APPLICATION SPEC 114-133019

SIZE A3 CAGE CODE 00779 DRAWING NO C-2213480 RESTRICTED TO -

MATERIAL - FINISH - WEIGHT -

Customer Drawing SCALE 3:2 SHEET 1 OF 3 REV C2

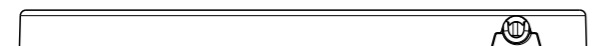
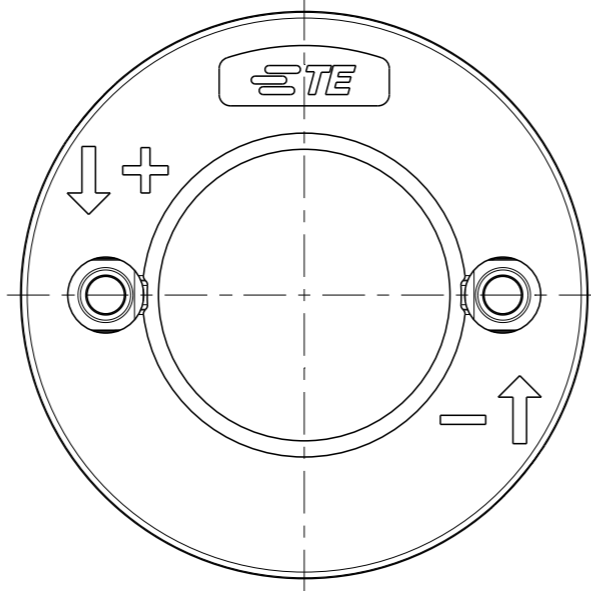
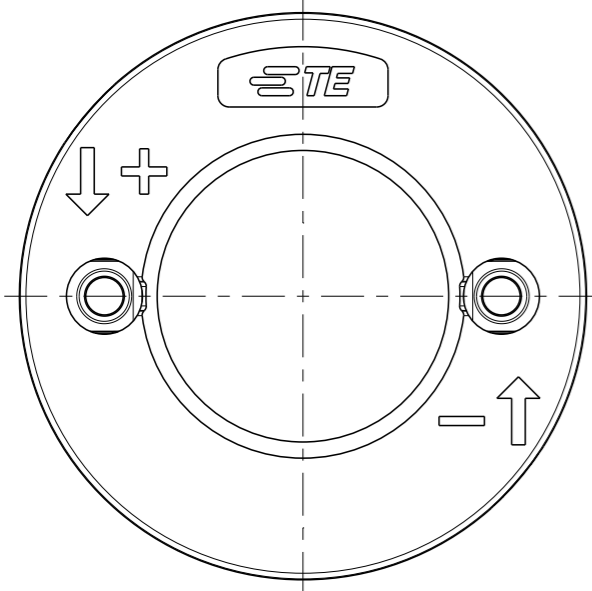
THIS DRAWING IS UNPUBLISHED. RELEASED FOR PUBLICATION

© COPYRIGHT - BY TYCO ELECTRONICS CORPORATION. ALL RIGHTS RESERVED.

LOC	DIST	REVISIONS				
P	LTR	DESCRIPTION	DATE	DWN	APVD	
		SEE SHEET 1	-	-	-	

2213480-1 AS SHOWN

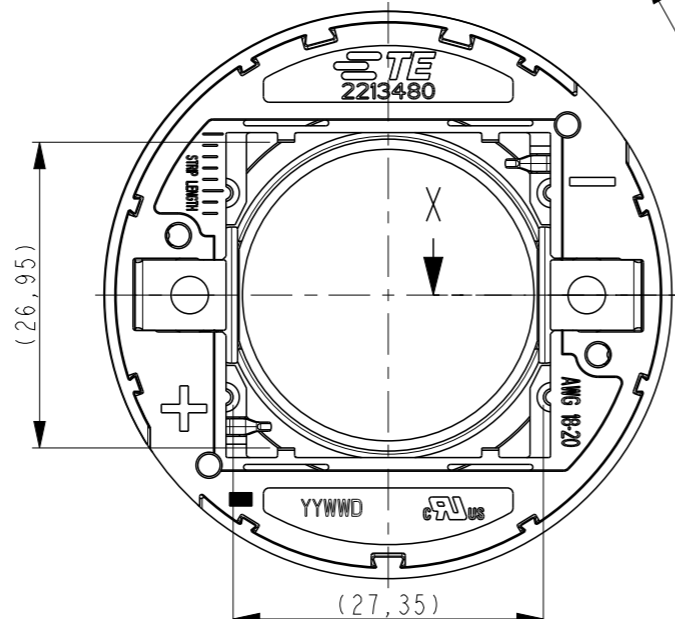
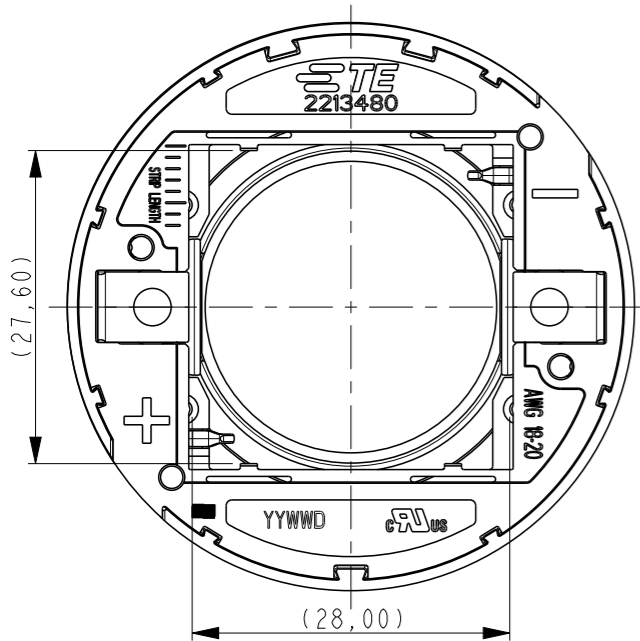
2213480-2 AS SHOWN



SECTION X-X

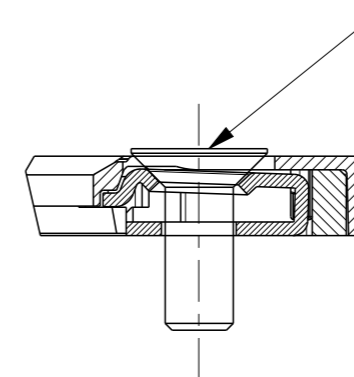
1.2 MAX. LED HEIGHT

SEE DETAIL A



RELEASED LED'S

NAME	DATA SHEET	REVISION	PART NUMBER
LUMINUS CXM-22	PDS-002437	REV 04	2213480-1
CITIZEN	CLU044		
CITIZEN	CLU046		
CITIZEN	CLU730		
CITIZEN	CLL040		
CITIZEN	CLL042		
CITIZEN	CLU730		
LG INNOTEK	LEMWM28C80LZXXXX		
LG INNOTEK	LEMWM28C80HZXXXX		
BRIDGELUX	V22		
EDISON OPTO	2PHM40X		
SEOUL SEMI	SDW05F1C, SDW85F1C, ZC40	REV1.0, JULY 19, 2013	
LUMINUS	CXM-22	PDS-002437 REV 04	
PANASONIC	DMC12CC	PM-VSO / 5	
PANASONIC	DMC 17CC	PM-VSO / 5	
PANASONIC	DMS 150		
PANASONIC	DMS 120		
PANASONIC	DMS12CC40G		
BRIDGELUX	V22C GEN 7 ARRAY	DS103 REV. C (07/2016)	



DETAIL A
SCALE 3:1

THIS DRAWING IS A CONTROLLED DOCUMENT.

DIMENSIONS: mm	TOLERANCES UNLESS OTHERWISE SPECIFIED:
	0 PLC ±-
	1 PLC ±-
	2 PLC ±-
	3 PLC ±-
	4 PLC ±-
	ANGLES ±-
MATERIAL	FINISH
-	-

DWN	08APRIL2014
P. POORTER	
CHK	08APRIL2014
O. LEIJNSE	
APVD	08APRIL2014
O. LEIJNSE	
PRODUCT SPEC	108-133018
APPLICATION SPEC	114-133019
WEIGHT	-
Customer Drawing	



NAME LUMAWISE Z50 high performance LED HOLDER			
SIZE	CAGE CODE	DRAWING NO	RESTRICTED TO
A3	00779	C-2213480	-
SCALE 3:2		SHEET 2 OF 3	REV C2

4

3

2

1

THIS DRAWING IS UNPUBLISHED.

RELEASED FOR PUBLICATION

© COPYRIGHT - BY TYCO ELECTRONICS CORPORATION. ALL RIGHTS RESERVED.

LOC	DIST	REVISIONS					
		P	LTR	DESCRIPTION	DATE	DWN	APVD
			-	SEE SHEET 1	-	-	-

RECOMMENDED DRILLING HOLE PATTERN:

M3 (2x)
 ± 0.1
 35,00
 $\varnothing 50.0$ MIN. KEEP OUT ZONE

NOMINAL LED INFO:


THE SKETCH BELOW IS SHOWING THE NOMINAL LED COB DIMENSIONS TO MATCH WITH THE Z50 LED HOLDER 2828

FOR TECHNICAL DETAILS ABOUT A PROPER MATCH WITH A SPECIFIC LED COB ARRAY PLEASE CONTACT A REPRESENTATIVE AT TE-CONNECTIVITY

27.35-28,00 NOMINAL
 CONTACT POINTS AREA (2x)
 27.35-28,00 NOMINAL
 1.2 MAX.
 LES 25,50 MAX.

RECOMMENDED KEEP OUT AREA FOR CLAMPING:

25,8 MIN.
 12,7 MIN.
 NO TRACKS BELOW THIS AREA !

THIS DRAWING IS A CONTROLLED DOCUMENT.		DWN 08APRIL2014 P. POORTER	 TE Connectivity	
DIMENSIONS: mm		CHK 08APRIL2014 O. LEIJNSE		
TOLERANCES UNLESS OTHERWISE SPECIFIED:		APVD 08APRIL2014 O. LEIJNSE	NAME LUMAWISE Z50 high performance LED HOLDER	
0 PLC \pm		PRODUCT SPEC 108-133018	SIZE A3	
1 PLC \pm		APPLICATION SPEC 114-133019	CAGE CODE 00779	DRAWING NO C-2213480
2 PLC \pm		WEIGHT -	RESTRICTED TO -	
3 PLC \pm				
4 PLC \pm				
ANGLES \pm				
FINISH -		Customer Drawing	SCALE 3:2	SHEET 3 OF 3
-			REV C2	

1470-19 (3/11)