



Chipsmall Limited consists of a professional team with an average of over 10 year of expertise in the distribution of electronic components. Based in Hongkong, we have already established firm and mutual-benefit business relationships with customers from,Europe,America and south Asia,supplying obsolete and hard-to-find components to meet their specific needs.

With the principle of "Quality Parts,Customers Priority,Honest Operation,and Considerate Service",our business mainly focus on the distribution of electronic components. Line cards we deal with include Microchip,ALPS,ROHM,Xilinx,Pulse,ON,Everlight and Freescale. Main products comprise IC,Modules,Potentiometer,IC Socket,Relay,Connector.Our parts cover such applications as commercial,industrial, and automotives areas.

We are looking forward to setting up business relationship with you and hope to provide you with the best service and solution. Let us make a better world for our industry!



Contact us

Tel: +86-755-8981 8866 Fax: +86-755-8427 6832

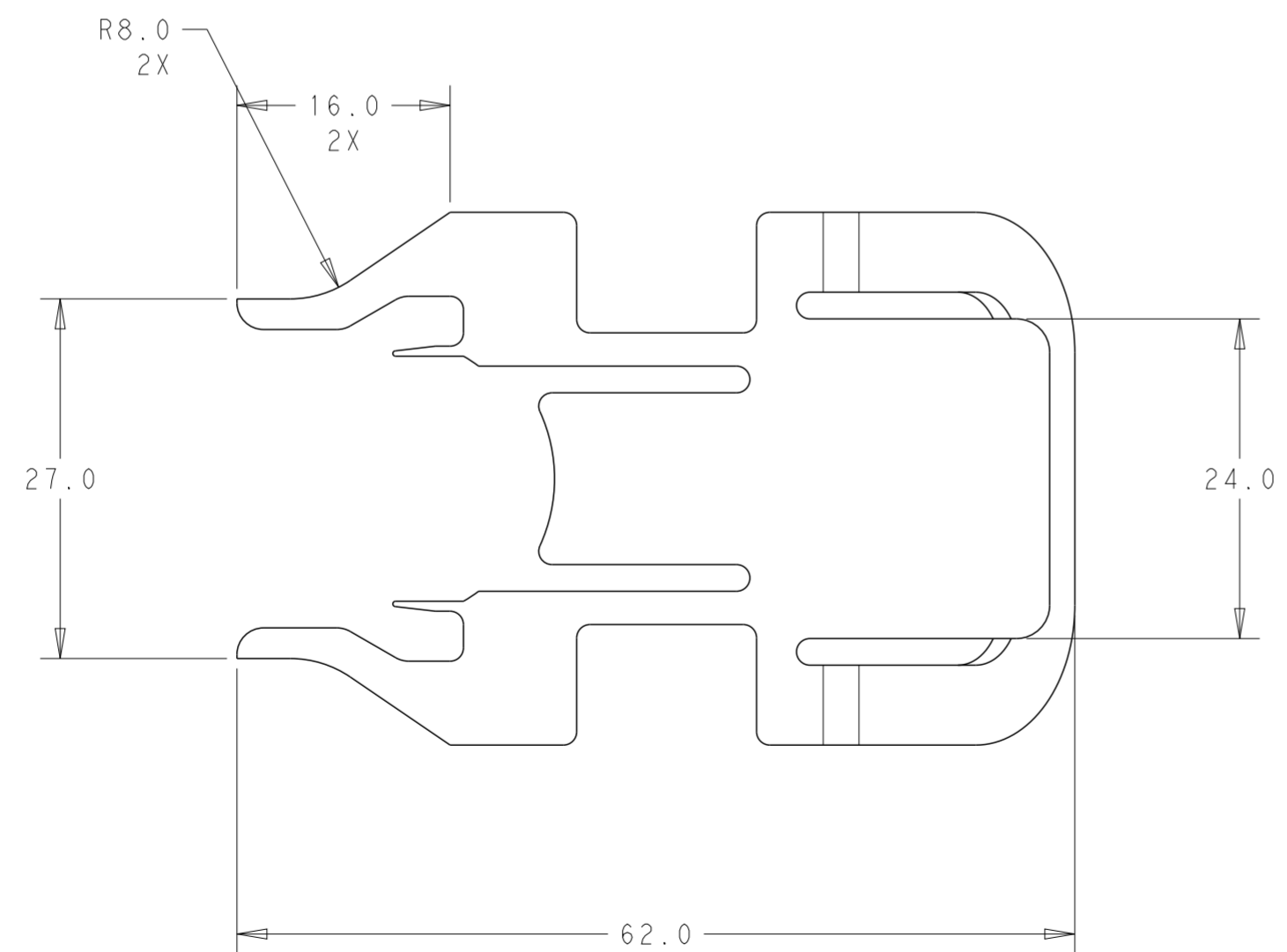
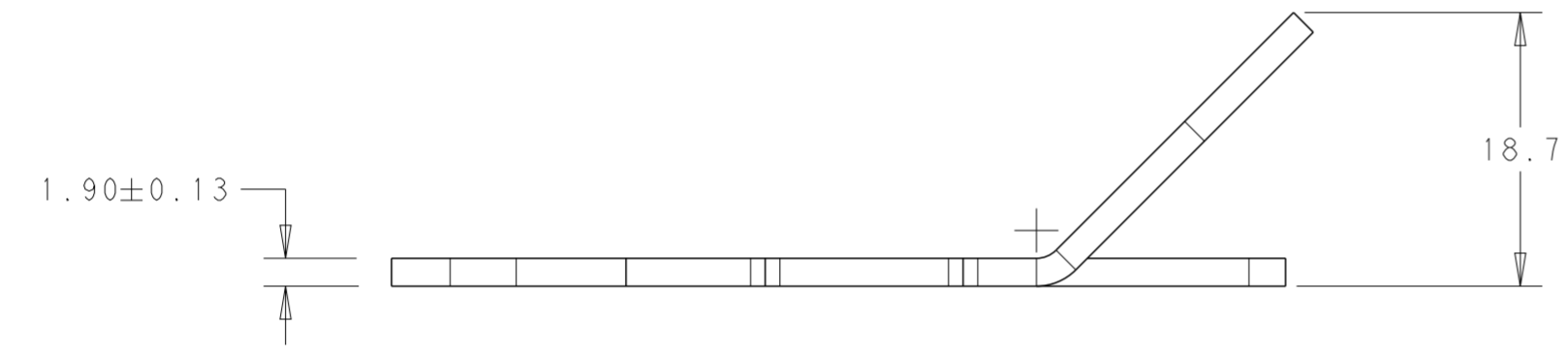
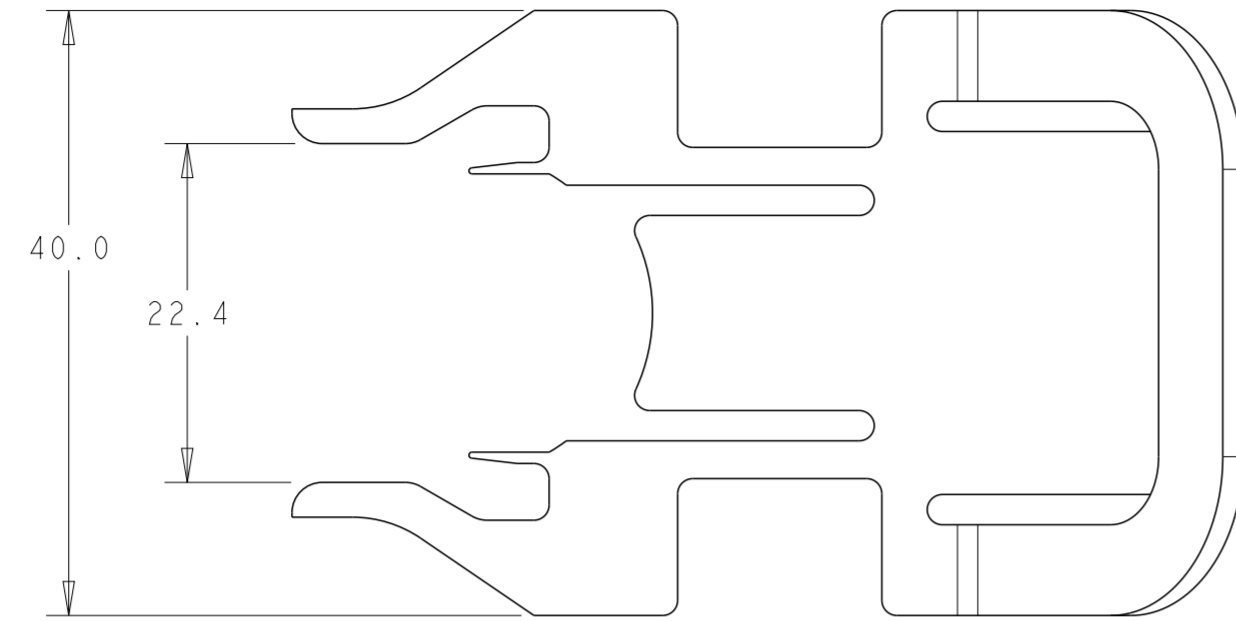
Email & Skype: info@chipsmall.com Web: www.chipsmall.com

Address: A1208, Overseas Decoration Building, #122 Zhenhua RD., Futian, Shenzhen, China

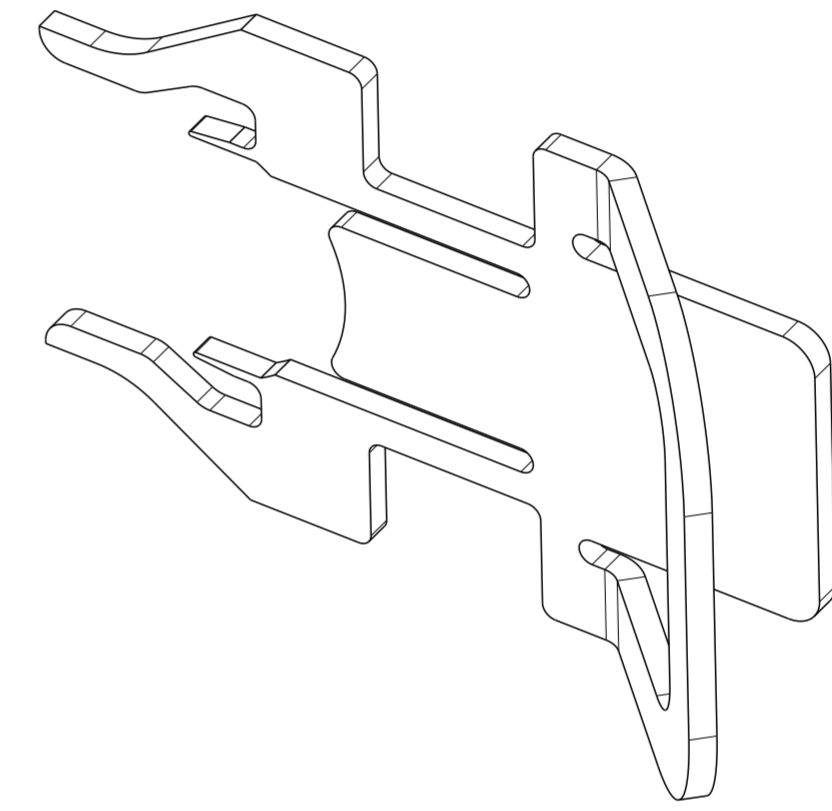


THIS DRAWING IS UNPUBLISHED. RELEASED FOR PUBLICATION 20
 © COPYRIGHT 20 BY - ALL RIGHTS RESERVED.

REVISIONS					
P	LTR	DESCRIPTION	DATE	DWN	APVD
A		REVISED AS PER ECR-15-009112	19JUN2015	RS	JL
B		REVISED AS PER ECR-15-014807	16NOV2015	RS	JL



NOTE:
 1 MATERIAL: STAINLESS STEEL



SCALE 2:1

2213523-1
 PART NO.

THIS DRAWING IS A CONTROLLED DOCUMENT.		DWN RAVI.S 24FEB2015	TE Connectivity		
DIMENSIONS: mm		CHK L.JUSTIN 24FEB2015			
TOLERANCES UNLESS OTHERWISE SPECIFIED:		APVD L.JUSTIN 24FEB2015	NAME NECTOR M 5/6/7 POSITION DE-LATCH TOOL		
0 PLC ±		PRODUCT SPEC 108-133014	APPLICATION SPEC		
1 PLC ±0.15		114-32111	RESTRICTED TO		
2 PLC ±0.10		WEIGHT	SIZE A2	CAGE CODE	DRAWING NO G-2213523
3 PLC ±		Customer Drawing	SCALE 1:1	SHEET 1 OF 1	REV B
4 PLC ±					
ANGLES ±3°					
FINISH					
MATERIAL 1					