



Chipsmall Limited consists of a professional team with an average of over 10 year of expertise in the distribution of electronic components. Based in Hongkong, we have already established firm and mutual-benefit business relationships with customers from,Europe,America and south Asia,supplying obsolete and hard-to-find components to meet their specific needs.

With the principle of “Quality Parts,Customers Priority,Honest Operation,and Considerate Service”,our business mainly focus on the distribution of electronic components. Line cards we deal with include Microchip,ALPS,ROHM,Xilinx,Pulse,ON,Everlight and Freescale. Main products comprise IC,Modules,Potentiometer,IC Socket,Relay,Connector.Our parts cover such applications as commercial,industrial, and automotives areas.

We are looking forward to setting up business relationship with you and hope to provide you with the best service and solution. Let us make a better world for our industry!



Contact us

Tel: +86-755-8981 8866 Fax: +86-755-8427 6832

Email & Skype: info@chipsmall.com Web: www.chipsmall.com

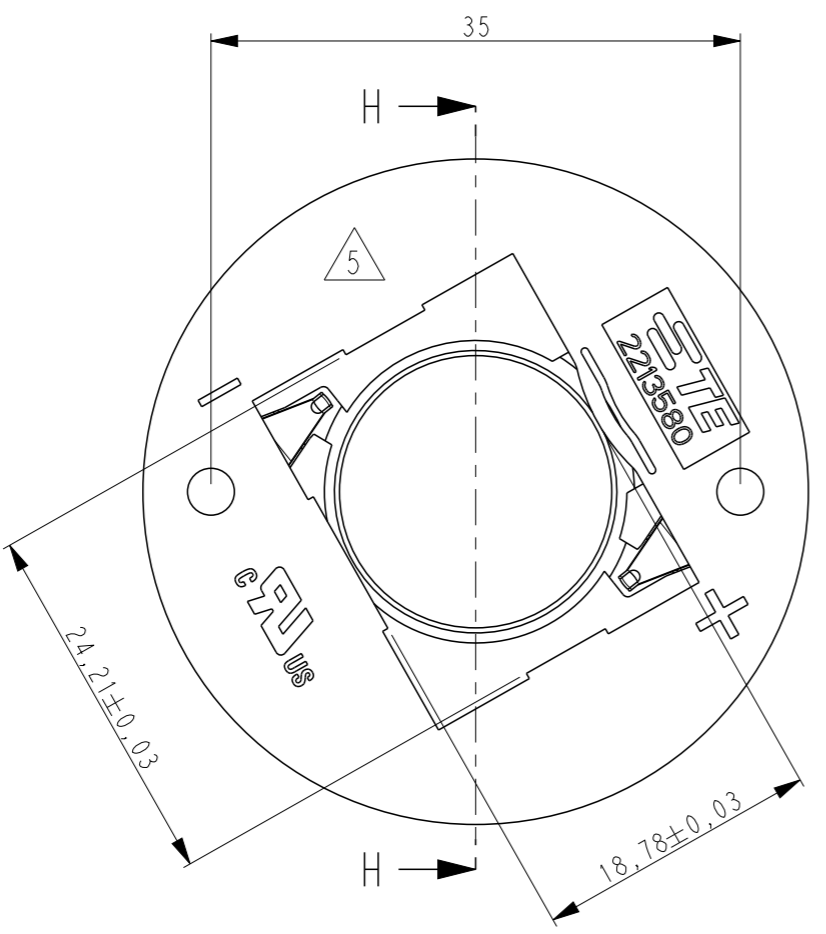
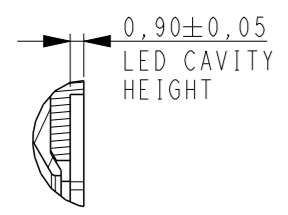
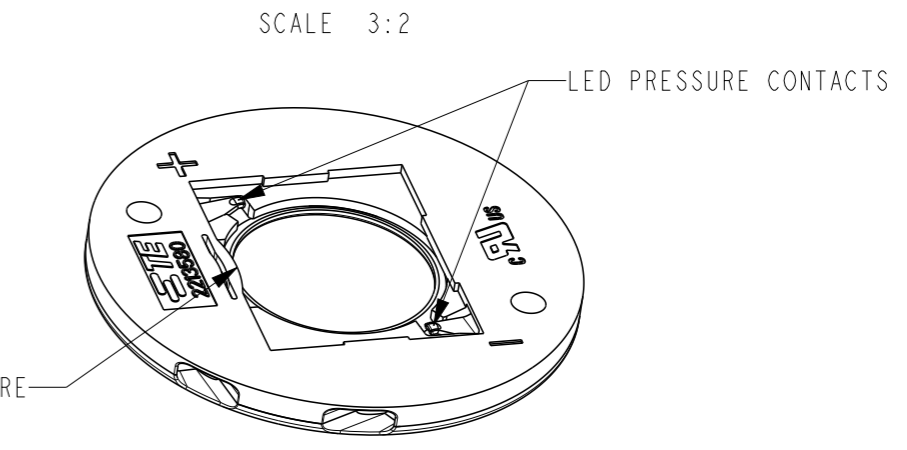
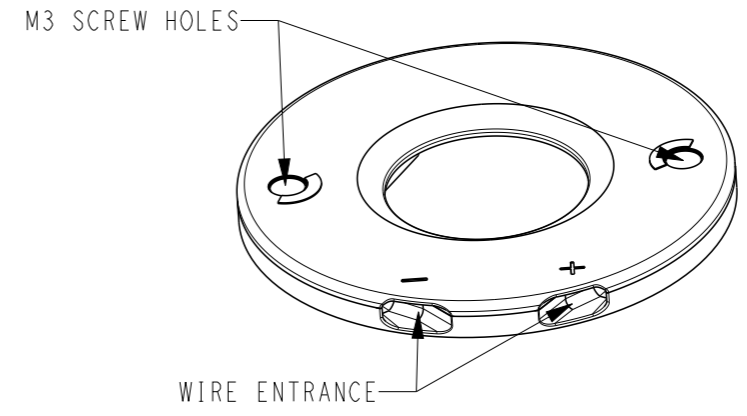
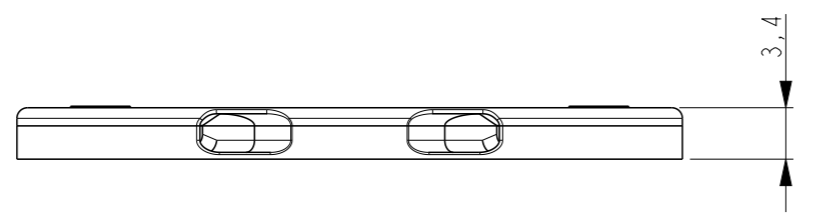
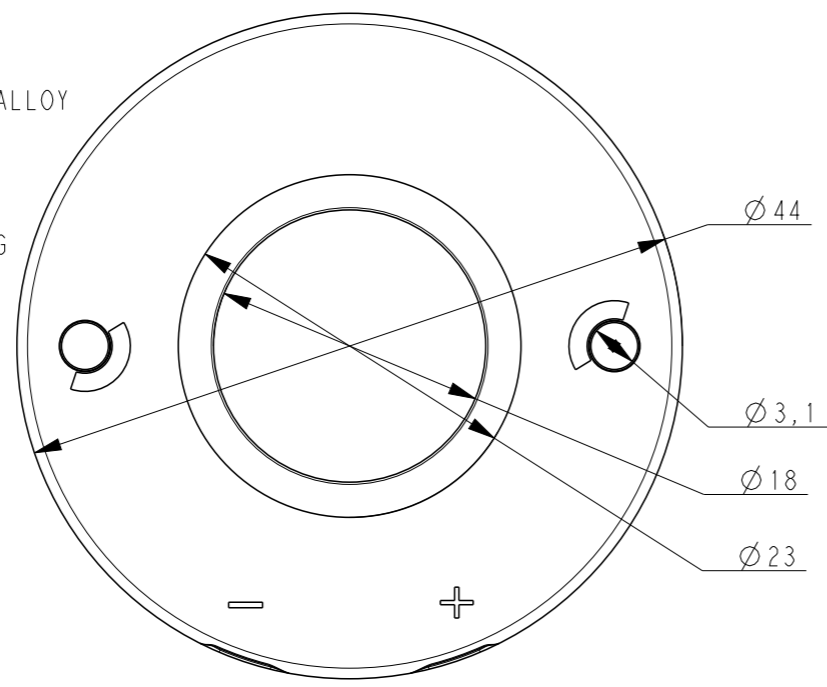
Address: A1208, Overseas Decoration Building, #122 Zhenhua RD., Futian, Shenzhen, China



THIS DRAWING IS UNPUBLISHED. RELEASED FOR PUBLICATION
 © COPYRIGHT - BY TYCO ELECTRONICS CORPORATION. ALL RIGHTS RESERVED.

LOC	DIST	REVISIONS			
P	LTR	DESCRIPTION	DATE	DWN	APVD
	4	UPDATED LED CAVITY DIMENSIONS	28NOV2014	MVE	OL
	A	ECR-15-003196 (PRODUCT RELEASE)	26FEB2015	KR	OL
	A1	ECR-16-001206	27JAN2016	KR	MvE
	B	ADDED RELEASED LED	06FEB2017	KR	MvE

- NOTES:
- MATERIALS:
HOUSING: GLASS FILLED PBT,
COLOR : NATURAL/WHITE
CONTACTS: SILVER PLATED COPPER ALLOY
 - FOR SOLID AND STRANDED WIRE
AWG 22-18
 - COMPLIES WITH
DIRECTIVE 2002/95/EC (ROHS)
 - M3 SCREW TO BE USED FOR MOUNTING
- △ DATE CODE YY-WW-D ANY WHERE EXCEPT OVER LOGO OR +/- SIGN.



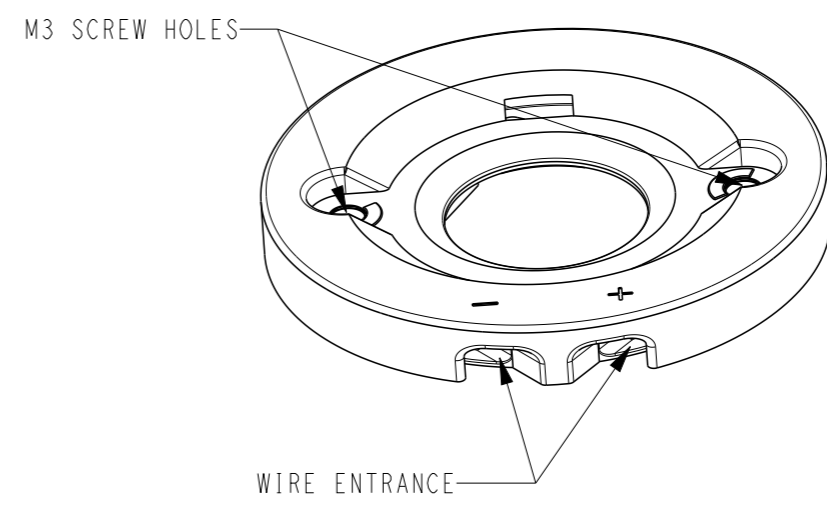
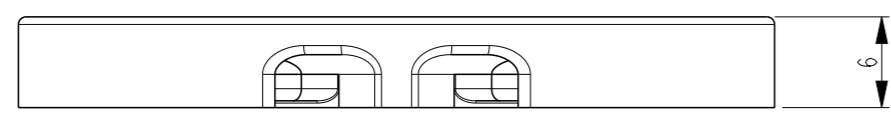
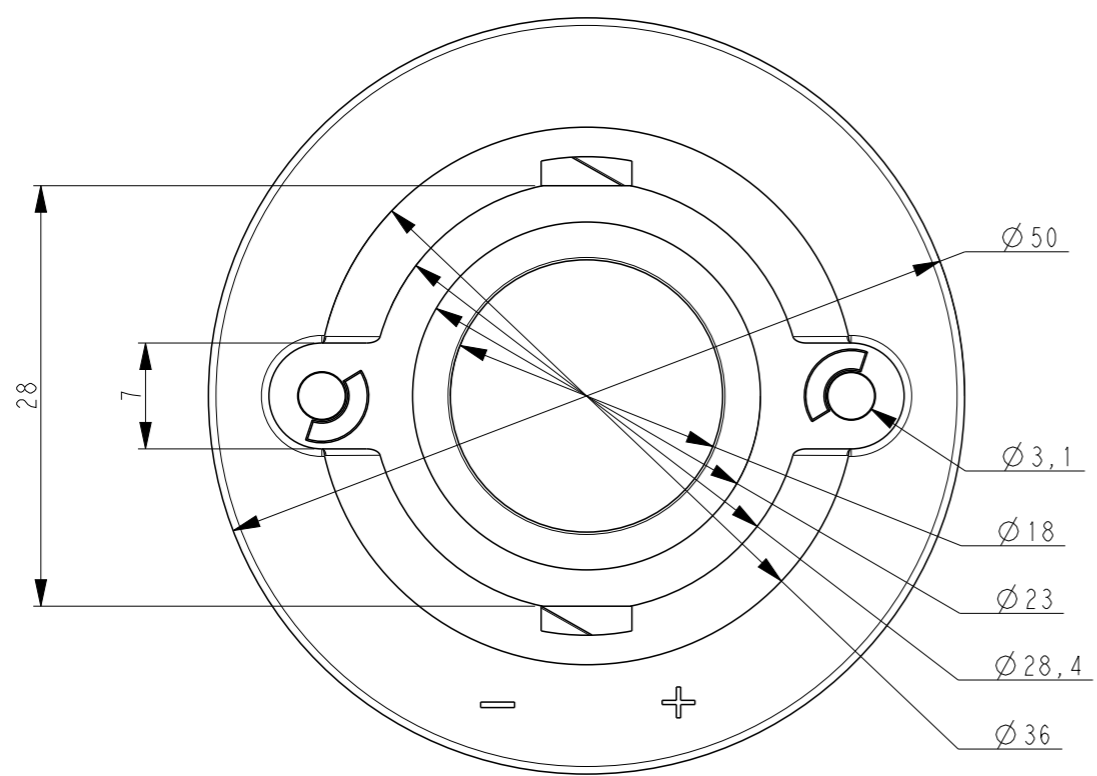
2213580-1 AS SHOWN
LUMAWISE LED HOLDER Z50 LOW PROFILE

LUMAWISE LED HOLDER Z50 STANDARD PROFILE 1924	2213580-2
LUMAWISE LED HOLDER Z50 LOW PROFILE 1924	2213580-1
DESCRIPTION	PART NO

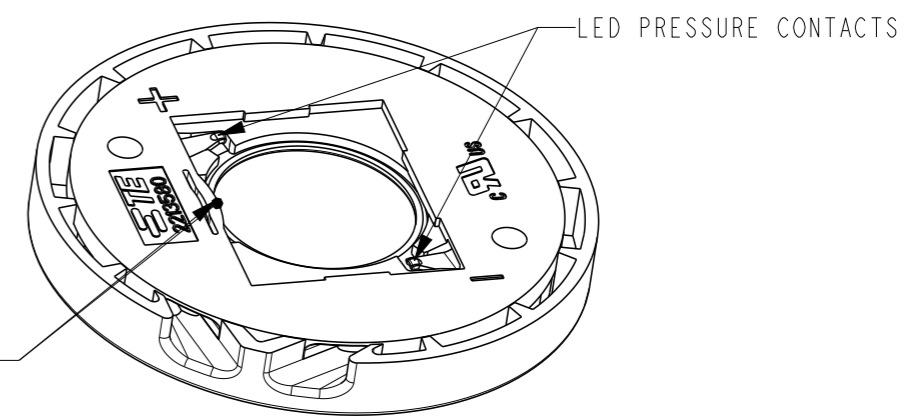
THIS DRAWING IS A CONTROLLED DOCUMENT. DIMENSIONING AND TOLERANCING PER ASME Y14.5M-2009.		DWN M.V.ESSEN 3 NOV '14	TE Connectivity LUMAWISE LED HOLDER Z50 1924			
DIMENSIONS: mm		CHK C.V.STEENDEREN 6 NOV '14				
TOLERANCES UNLESS OTHERWISE SPECIFIED:		APVD O.IEIJNSE 7 NOV '14				
0 PLC ±- 1 PLC ±- 2 PLC ±- 3 PLC ±- 4 PLC ±- ANGLES ±-		PRODUCT SPEC 108-133008				
MATERIAL -	FINISH -	APPLICATION SPEC 114-32048	SIZE A3	CAGE CODE 00779	DRAWING NO C-2213580	RESTRICTED TO -
Customer Drawing			SCALE 2:1	SHEET 1 OF 3	REV B	

THIS DRAWING IS UNPUBLISHED. RELEASED FOR PUBLICATION
 © COPYRIGHT - BY TYCO ELECTRONICS CORPORATION. ALL RIGHTS RESERVED.

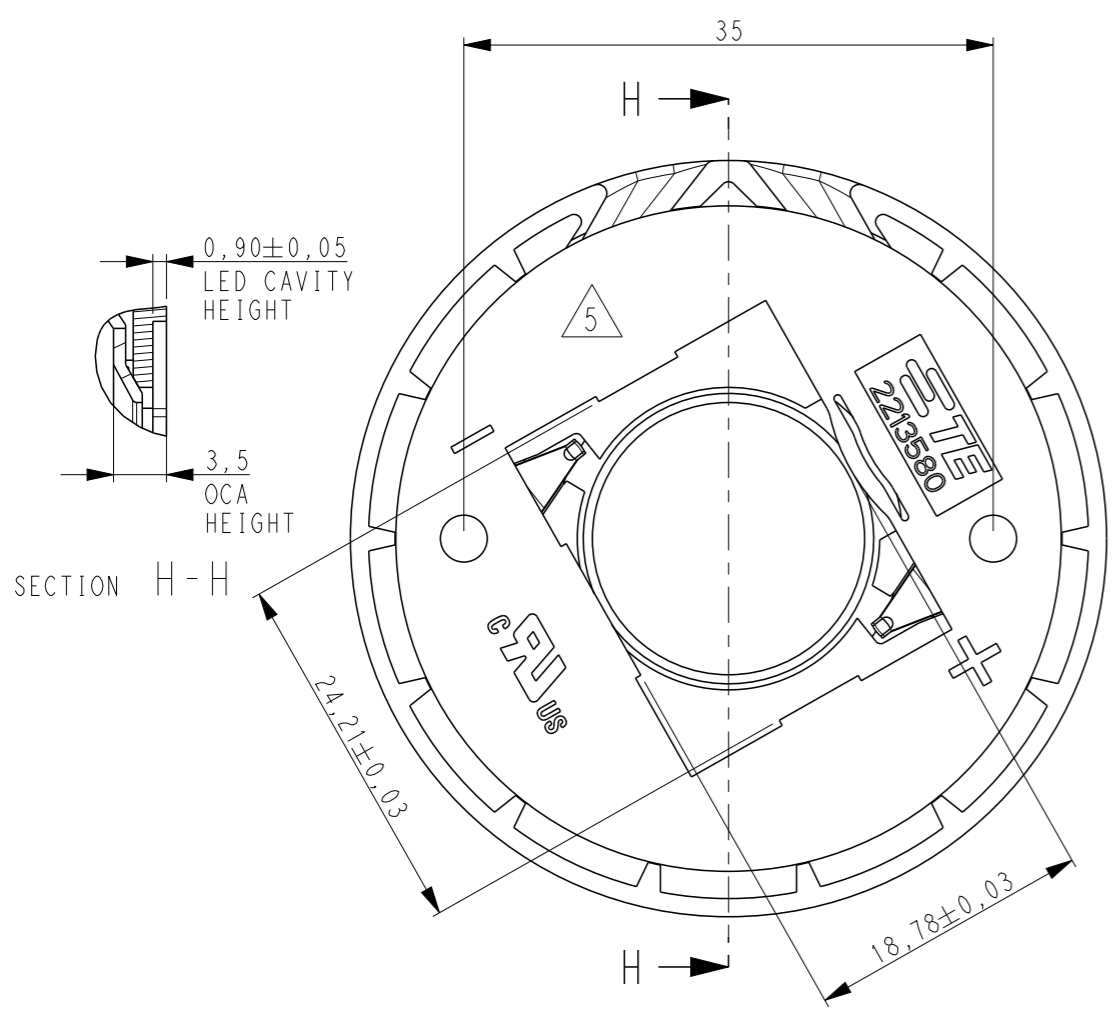
LOC	DIST	REVISIONS					
H	-	P	LTR	DESCRIPTION	DATE	DWN	APVD
			-	SEE SHEET 1	-	-	-



SCALE 3:2



2213580-2 AS SHOWN
 LUMAWISE LED HOLDER Z50 STANDARD PROFILE

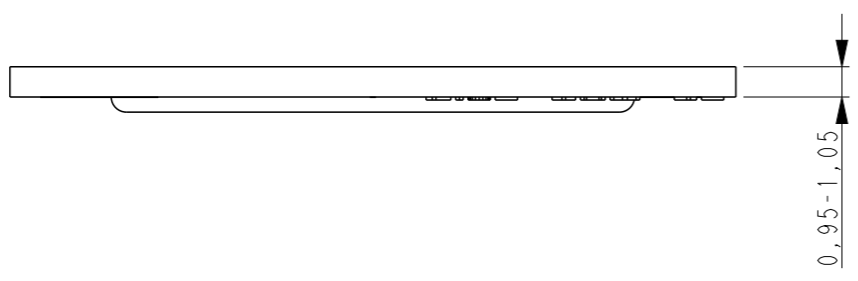
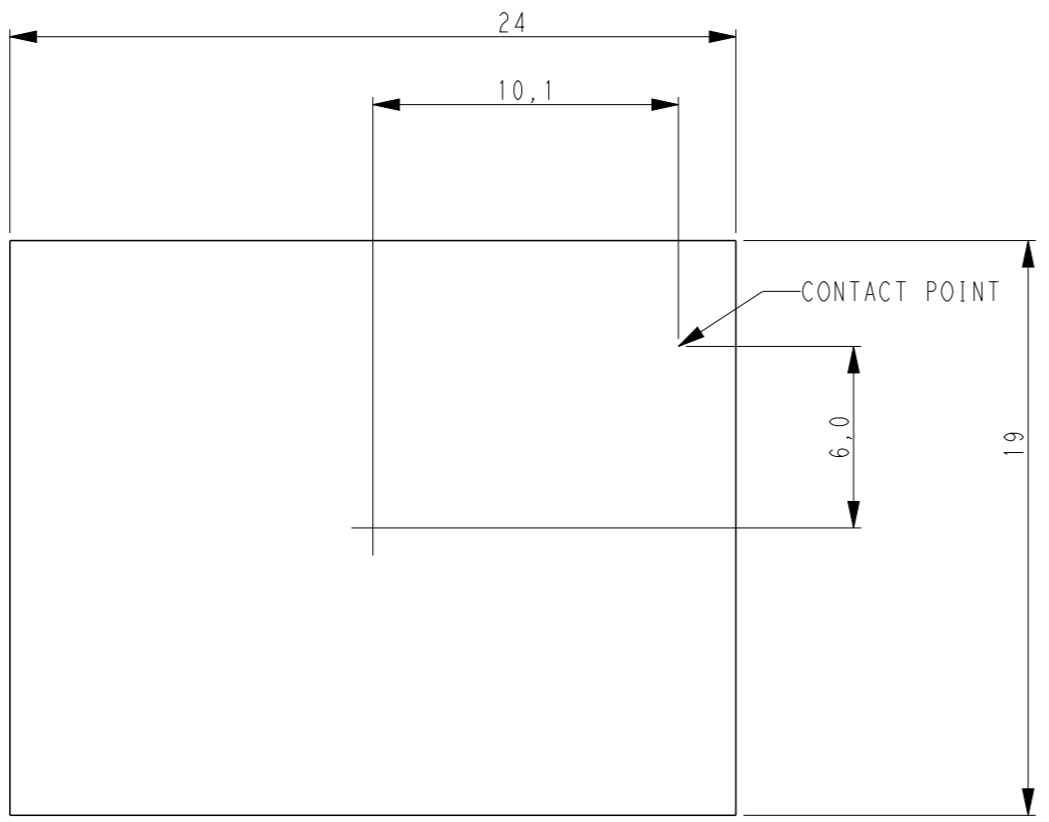


THIS DRAWING IS A CONTROLLED DOCUMENT.		DWN M.V.ESSSEN 3 NOV'14	TE Connectivity NAME LUMAWISE LED HOLDER Z50 1924					
DIMENSIONS: mm		CHK C.V.STEENDEREN 6 NOV'14						
TOLERANCES UNLESS OTHERWISE SPECIFIED:		APVD O.I.FIJNSE 7 NOV'14						
0 PLC ±- 1 PLC ±- 2 PLC ±- 3 PLC ±- 4 PLC ±- ANGLES ±-		PRODUCT SPEC 108-133008	SIZE A3	CAGE CODE 00779	DRAWING NO C-2213580	RESTRICTED TO -		
MATERIAL -		FINISH -	WEIGHT -	Customer Drawing		SCALE -	SHEET 2 OF 3	REV B

THIS DRAWING IS UNPUBLISHED. RELEASED FOR PUBLICATION
 © COPYRIGHT - BY TYCO ELECTRONICS CORPORATION. ALL RIGHTS RESERVED.

LOC	DIST	REVISIONS					
H	-	P	LTR	DESCRIPTION	DATE	DWN	APVD
			-	SEE SHEET 1	-	-	-

THE SKETCH BELOW IS SHOWING THE NOMINAL LED COB DIMENSIONS TO MATCH WITH THE LUMAWISE LED HOLDER Z50 1924. FOR TECHNICAL DETAILS ABOUT A PROPER MATCH WITH A SPECIFIC LED COB ARRAY PLEASE CONTACT A REPRESENTATIVE AT TE-CONNECTIVITY.



RELEASED LEDs

NAME	TYPE	DATA SHEET	REVISION	TE PART NUMBER
NICHIA	NFDLJ130B	STS-DA1-3040		2213580-1/-2
NICHIA	NFDWJ130B	STS-DA1-3036		2213580-1/-2
NICHIA	NFCLJ108B	STS-DA1-3044		2213580-1/-2
NICHIA	NFCWJ108B	STS-DA1-3060		2213580-1/-2

THIS DRAWING IS A CONTROLLED DOCUMENT.		DWN M.V.ESSSEN 3 NOV '14	TE Connectivity	
DIMENSIONS: mm		CHK C.V.STEENDEREN 6 NOV '14		
TOLERANCES UNLESS OTHERWISE SPECIFIED:		APVD O.IEIJNSE 7 NOV '14	NAME LUMAWISE LED HOLDER Z50 1924	
0 PLC ±- 1 PLC ±- 2 PLC ±- 3 PLC ±- 4 PLC ±- ANGLES ±-		PRODUCT SPEC 108-133008	RESTRICTED TO	
MATERIAL -		APPLICATION SPEC 114-32048	SIZE A3	CAGE CODE 00779
FINISH -		WEIGHT -	DRAWING NO C=2213580	
Customer Drawing			SCALE -	SHEET 3 OF 3 REV B