



Chipsmall Limited consists of a professional team with an average of over 10 year of expertise in the distribution of electronic components. Based in Hongkong, we have already established firm and mutual-benefit business relationships with customers from,Europe,America and south Asia,supplying obsolete and hard-to-find components to meet their specific needs.

With the principle of “Quality Parts,Customers Priority,Honest Operation,and Considerate Service”,our business mainly focus on the distribution of electronic components. Line cards we deal with include Microchip,ALPS,ROHM,Xilinx,Pulse,ON,Everlight and Freescale. Main products comprise IC,Modules,Potentiometer,IC Socket,Relay,Connector.Our parts cover such applications as commercial,industrial, and automotives areas.

We are looking forward to setting up business relationship with you and hope to provide you with the best service and solution. Let us make a better world for our industry!



Contact us

Tel: +86-755-8981 8866 Fax: +86-755-8427 6832

Email & Skype: info@chipsmall.com Web: www.chipsmall.com

Address: A1208, Overseas Decoration Building, #122 Zhenhua RD., Futian, Shenzhen, China

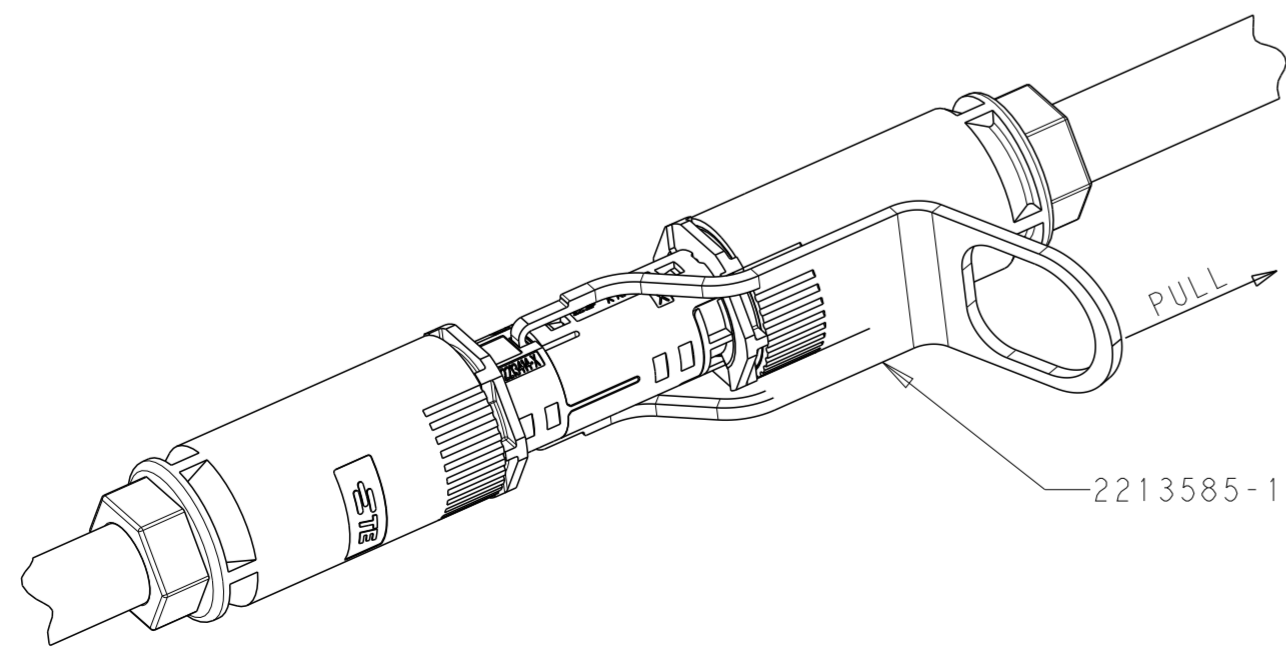
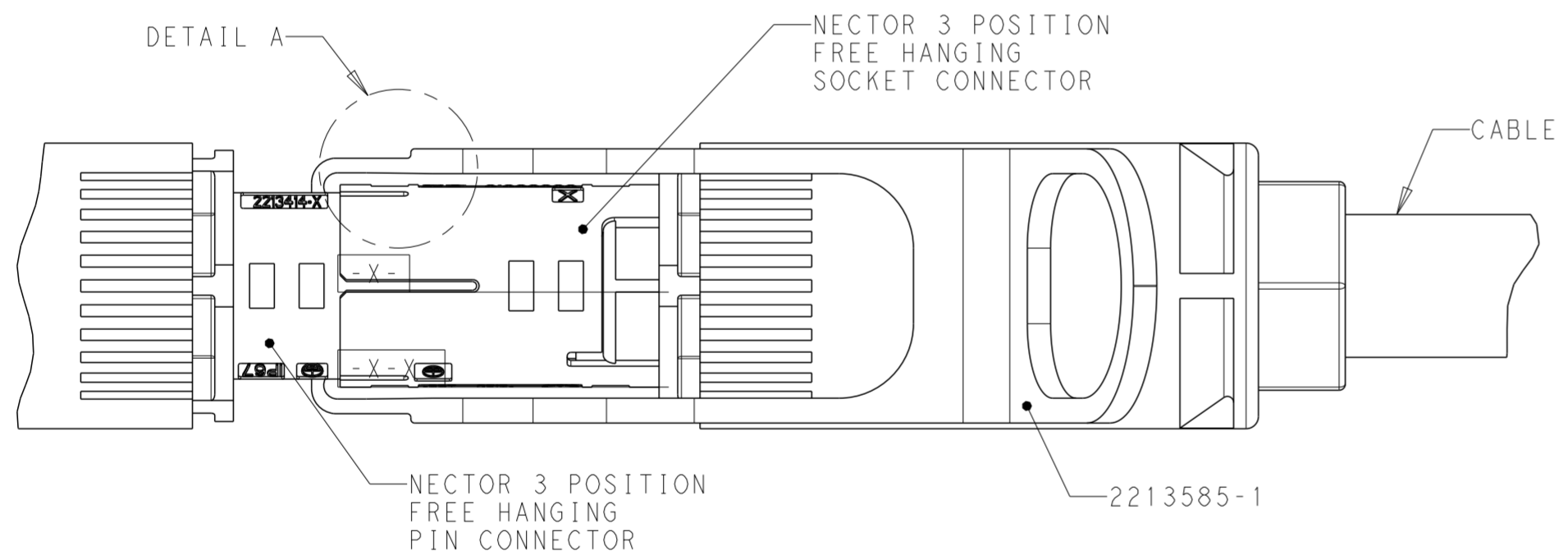
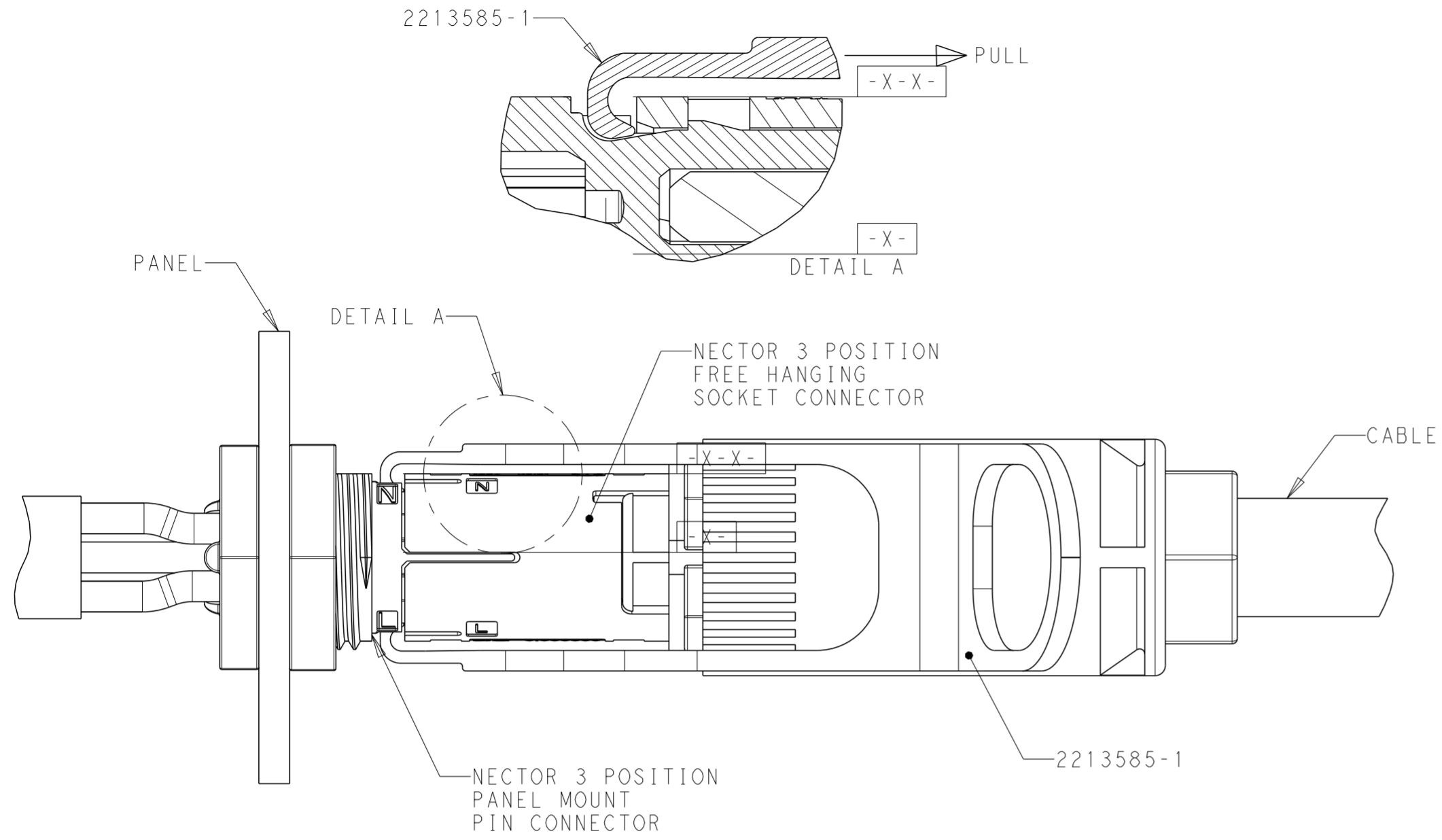


THIS DRAWING IS UNPUBLISHED. RELEASED FOR PUBLICATION 20
 © COPYRIGHT 20 BY - ALL RIGHTS RESERVED.

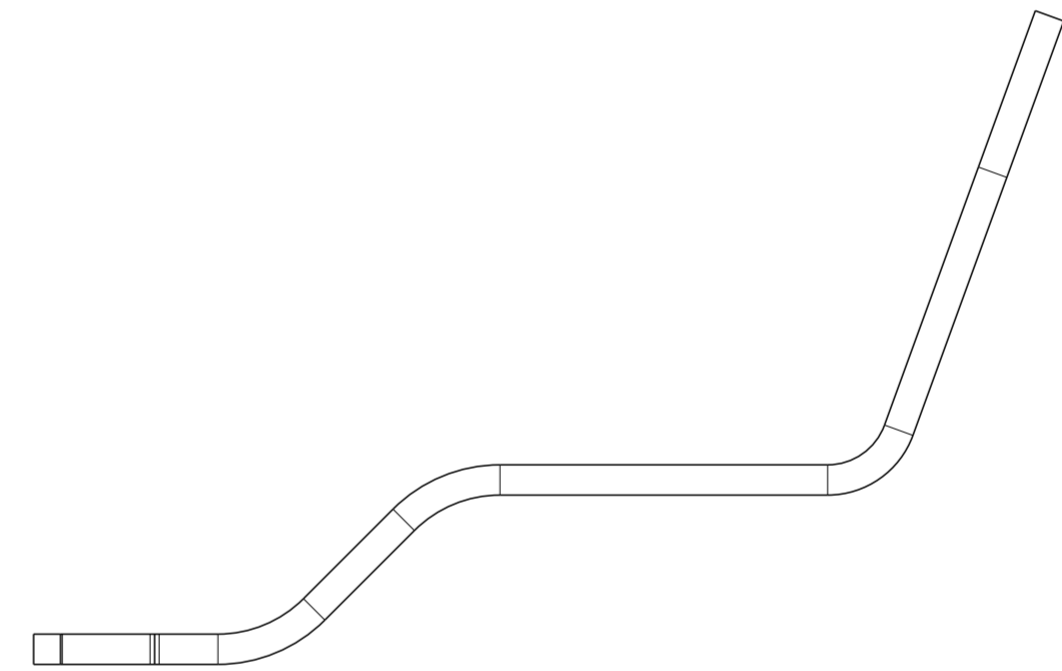
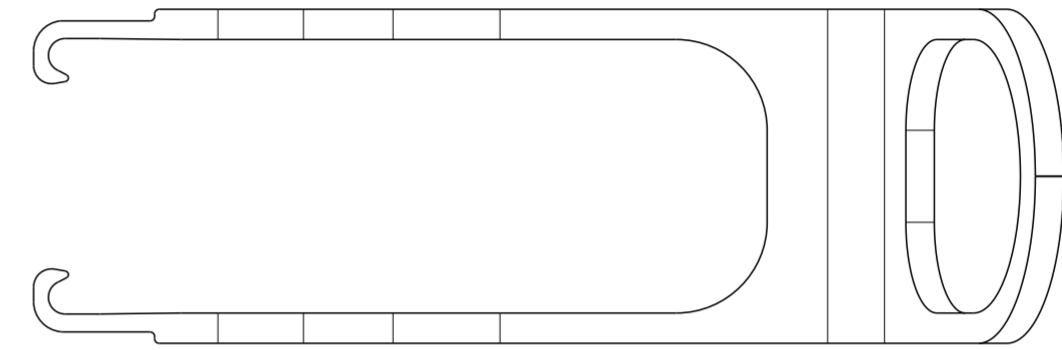
REVISIONS				
P	LTR	DESCRIPTION	DATE	APVD
A		REVISE AS PER ECR-15-005925	22APR2015	RS JL

NOTES:

- 1 MATERIALS: STAINLESS STEEL
- 2. MUST COMPLY WITH DIRECTIVE 2002/95/EC (ROHS)



2213585-1 APPLICATION



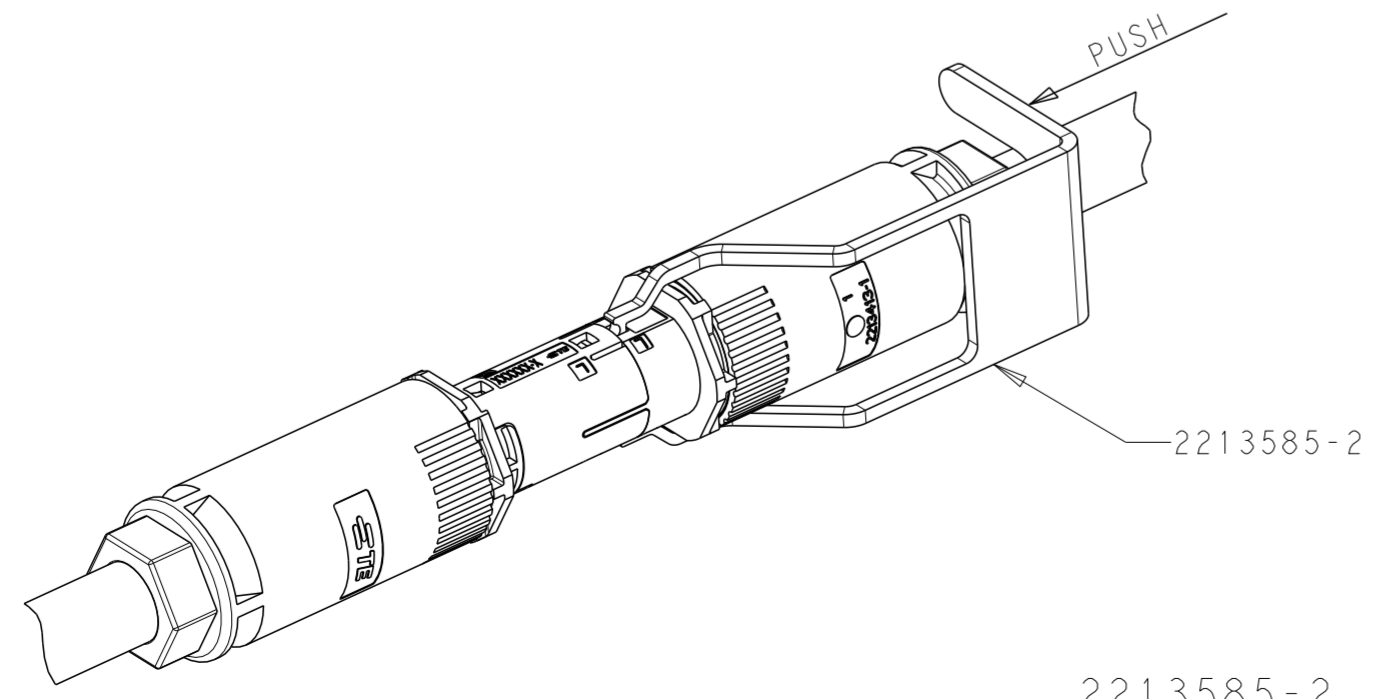
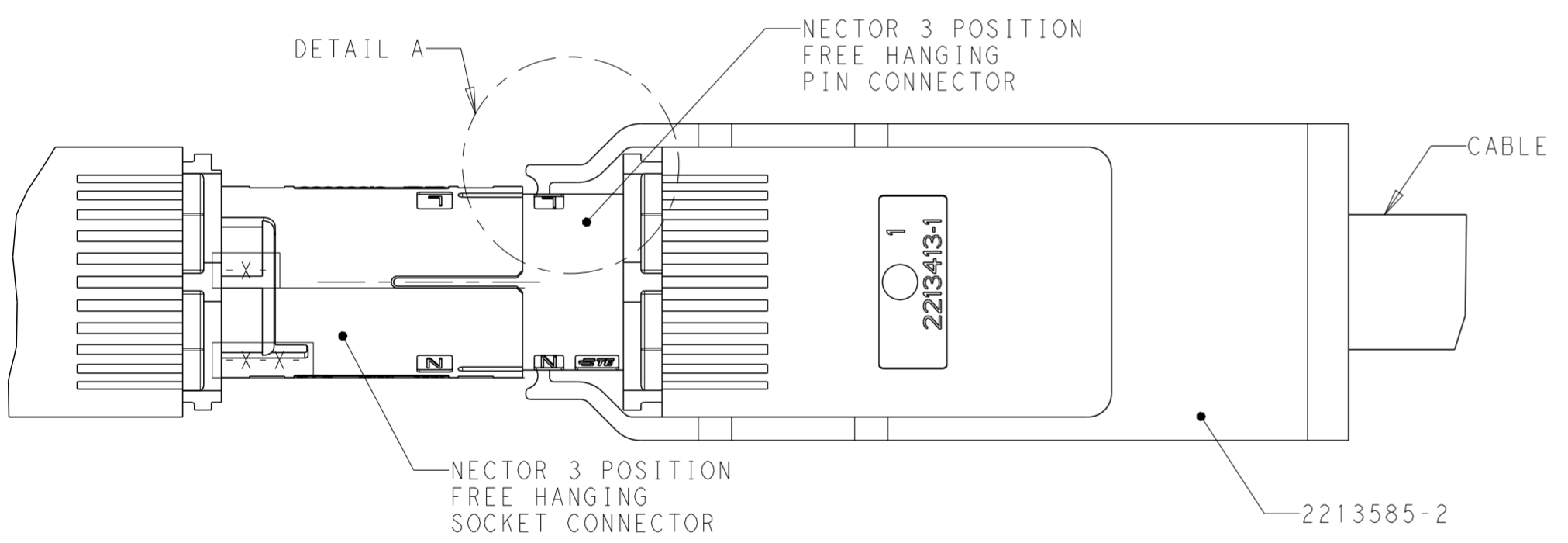
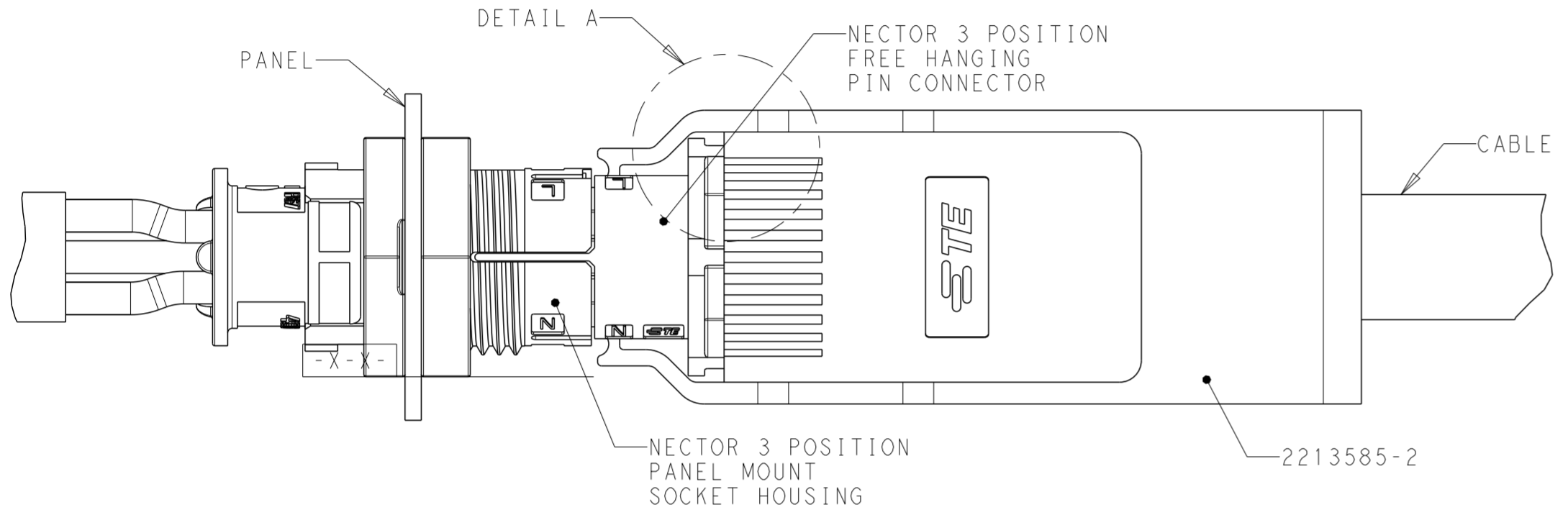
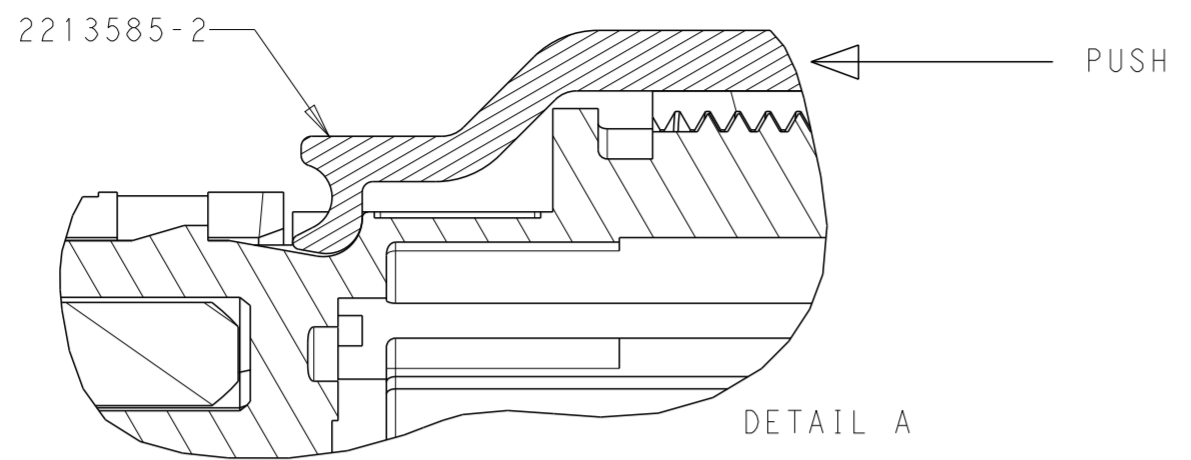
2213585-1 SHOWN

"PUSH" TYPE DE-LATCH TOOL	2213585-2
"PULL" TYPE DE-LATCH TOOL	2213585-1
DESCRIPTION	PART NO.

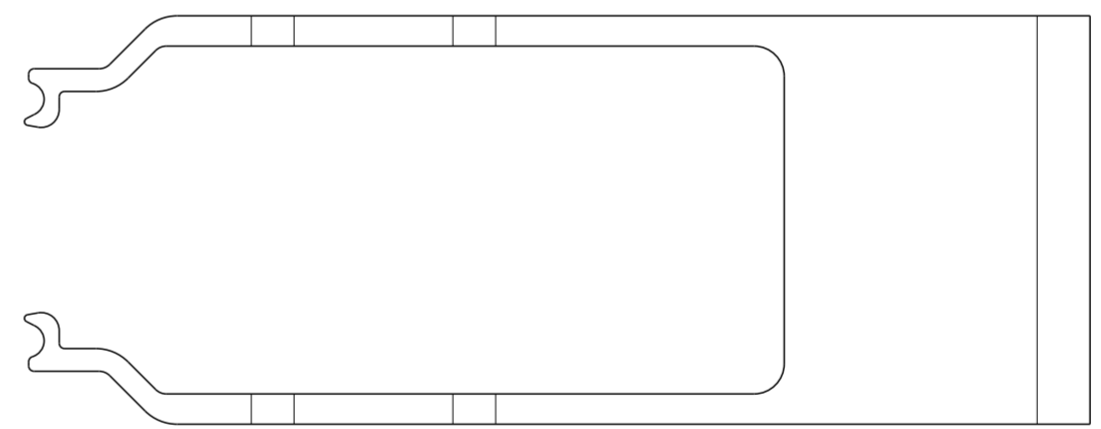
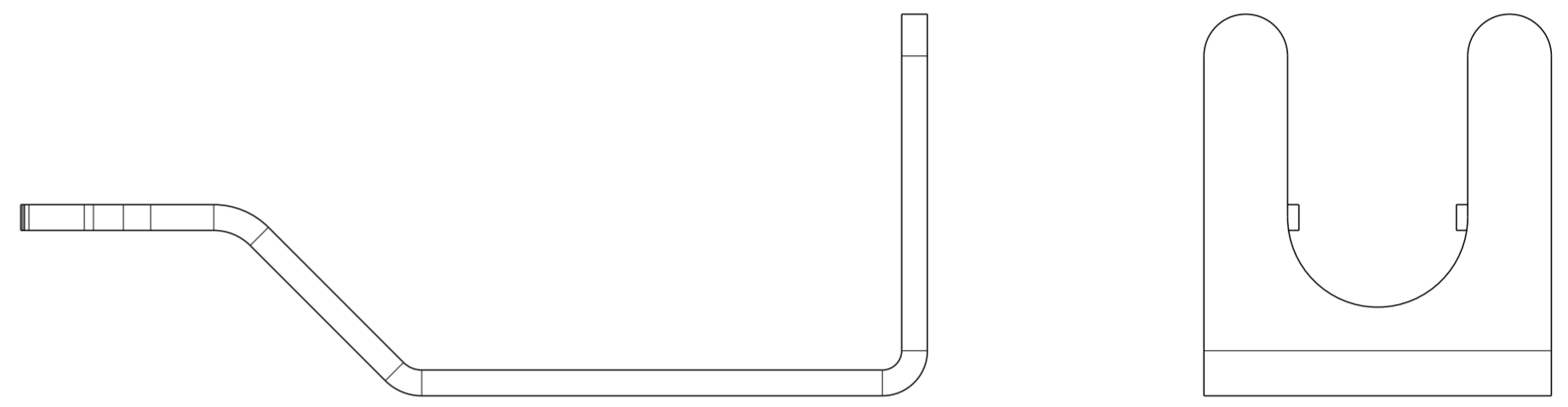
THIS DRAWING IS A CONTROLLED DOCUMENT.		DWN J. SHAFFER 08DEC2014	TE Connectivity	
DIMENSIONS: mm		CHK M. LUKSIC 15DEC2014		
TOLERANCES UNLESS OTHERWISE SPECIFIED:		APVD M. LUKSIC 15DEC2014	NAME NECTOR 3 DELATCHING TOOLS	
0 PLC ±	1 PLC ±0.5	PRODUCT SPEC	SIZE A2	CAGE CODE -
2 PLC ±0.13	3 PLC ±0.013	APPLICATION SPEC	DRAWING NO. C-2213585	RESTRICTED TO -
4 PLC ±0.0001	ANGLES ±	FINISH -	SCALE 1:1	SHEET 1 OF 2
MATERIAL 1	FINISH -	WEIGHT -	REV A	
Customer Drawing				

THIS DRAWING IS UNPUBLISHED. RELEASED FOR PUBLICATION 20
 © COPYRIGHT 20 BY - ALL RIGHTS RESERVED.

REVISIONS				
P	LTR	DESCRIPTION	DATE	APVD
-	-	SEE SHEET 1	-	-



2213585-2 APPLICATION



2213585-2 SHOWN

THIS DRAWING IS A CONTROLLED DOCUMENT.		DWN J. SHAFFER 08DEC2014	TE Connectivity	
DIMENSIONS: mm		CHK M. LUKSIC 15DEC2014		
TOLERANCES UNLESS OTHERWISE SPECIFIED:		APVD M. LUKSIC 15DEC2014	NAME NECTOR 3 DELATCHING TOOLS	
0 PLC ±	1 PLC ±0.5	PRODUCT SPEC -	SIZE A2	CAGE CODE -
2 PLC ±0.13	3 PLC ±0.013	APPLICATION SPEC -	DRAWING NO. C-2213585	RESTRICTED TO -
4 PLC ±0.0001	ANGLES ±	WEIGHT -	SCALE 1:1	SHEET 2 OF 2
MATERIAL FINISH -	Customer Drawing	REV A		