



Chipsmall Limited consists of a professional team with an average of over 10 year of expertise in the distribution of electronic components. Based in Hongkong, we have already established firm and mutual-benefit business relationships with customers from,Europe,America and south Asia,supplying obsolete and hard-to-find components to meet their specific needs.

With the principle of “Quality Parts,Customers Priority,Honest Operation,and Considerate Service”,our business mainly focus on the distribution of electronic components. Line cards we deal with include Microchip,ALPS,ROHM,Xilinx,Pulse,ON,Everlight and Freescale. Main products comprise IC,Modules,Potentiometer,IC Socket,Relay,Connector.Our parts cover such applications as commercial,industrial, and automotives areas.

We are looking forward to setting up business relationship with you and hope to provide you with the best service and solution. Let us make a better world for our industry!



Contact us

Tel: +86-755-8981 8866 Fax: +86-755-8427 6832

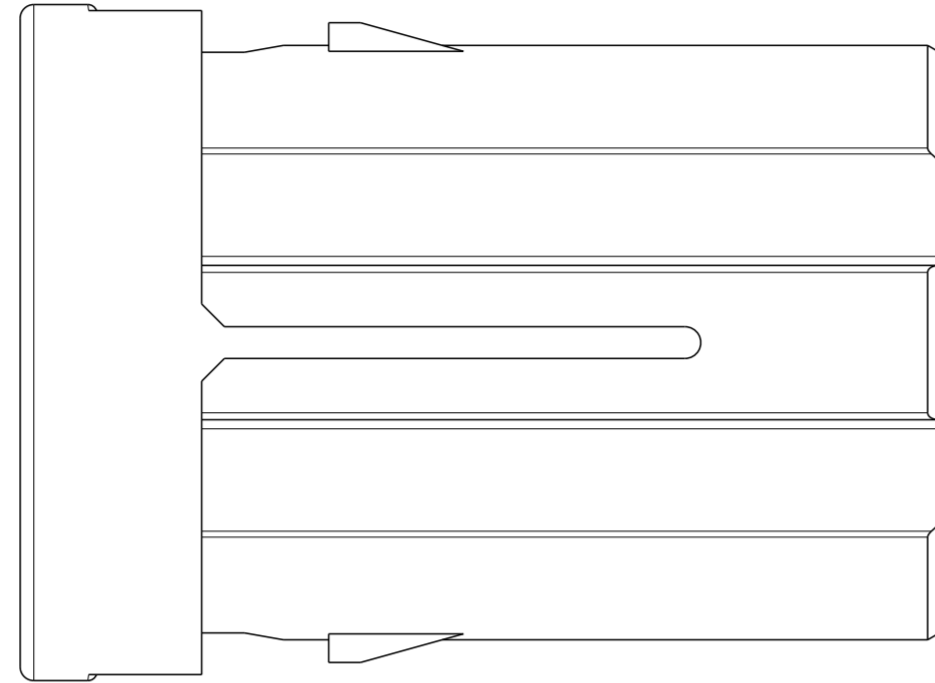
Email & Skype: info@chipsmall.com Web: www.chipsmall.com

Address: A1208, Overseas Decoration Building, #122 Zhenhua RD., Futian, Shenzhen, China



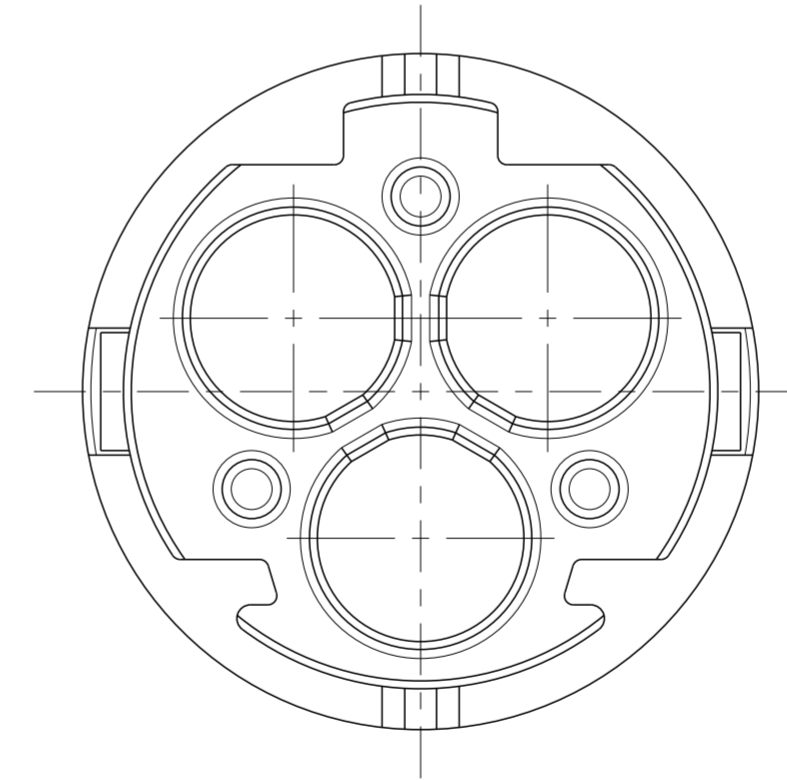
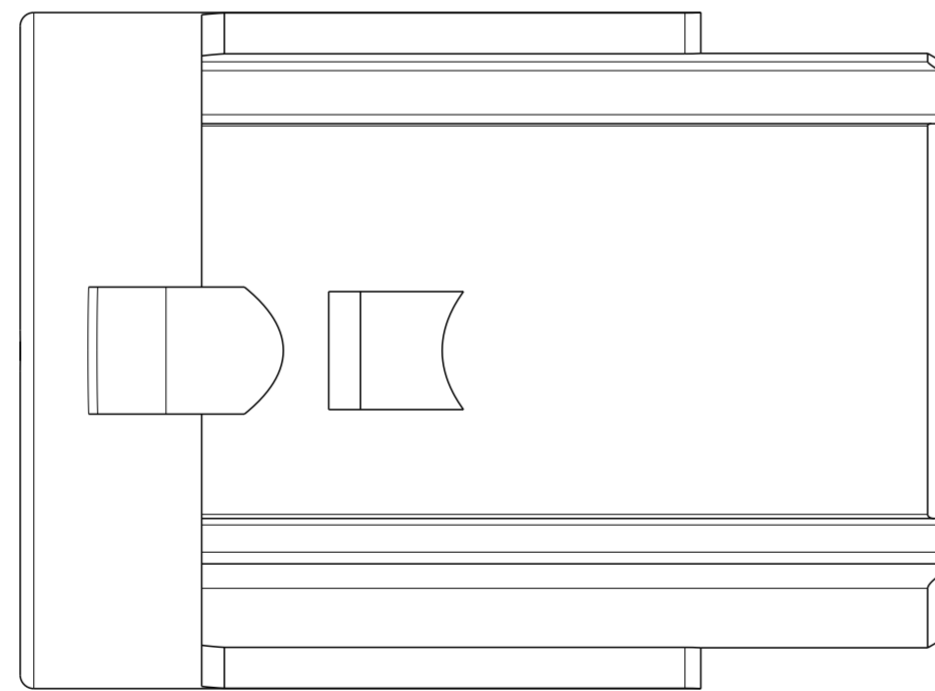
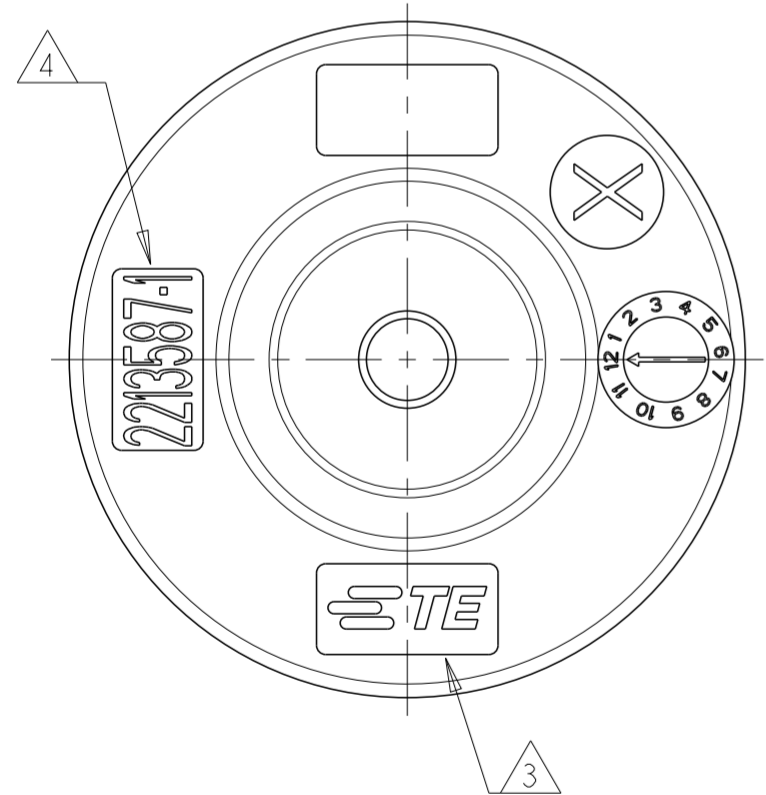
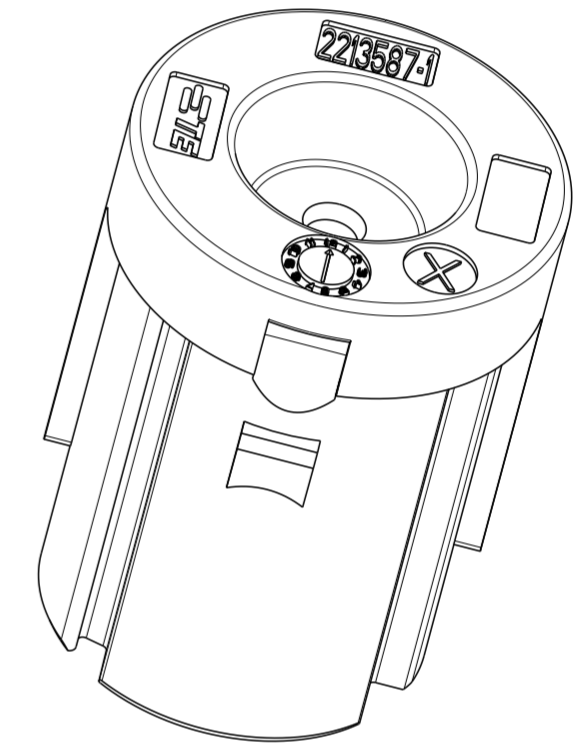
THIS DRAWING IS UNPUBLISHED. RELEASED FOR PUBLICATION 20
 © COPYRIGHT 20 BY - ALL RIGHTS RESERVED.

REVISIONS				
P	LTR	DESCRIPTION	DATE	APVD
1		NEW DRAWING	07JAN2015	JS ML
A		ECR-15-003851	10MAR2015	KR JL



NOTES:

- 1 MATERIAL: GLASS FILLED PBT
COLOR: BLACK
- 2. MUST COMPLY WITH DIRECTIVE 2002/95/EC (ROHS)
- 3 TE LOGO
- 4 TE PART NUMBER



2213587-1
PART NO.

THIS DRAWING IS A CONTROLLED DOCUMENT.		DWN J. SHAFFER 07JAN2015	TE Connectivity	
DIMENSIONS: mm		CHK M. LUKSIC 07JAN2015		
TOLERANCES UNLESS OTHERWISE SPECIFIED:		APVD M. LUKSIC 07JAN2015	NAME SOCKET CAP, SEALED NECTOR M-LINE, 3 POSN	
0 PLC ±		PRODUCT SPEC	SIZE	RESTRICTED TO
1 PLC ±0.5		APPLICATION SPEC	A2	-
2 PLC ±0.13		WEIGHT	CAGE CODE	DRAWING NO
3 PLC ±0.013		Customer Drawing	-	G-2213587
4 PLC ±0.0001		SCALE	4:1	SHEET 1 OF 1
ANGLES ±		REV	A	
FINISH				