



Chipsmall Limited consists of a professional team with an average of over 10 year of expertise in the distribution of electronic components. Based in Hongkong, we have already established firm and mutual-benefit business relationships with customers from,Europe,America and south Asia,supplying obsolete and hard-to-find components to meet their specific needs.

With the principle of “Quality Parts,Customers Priority,Honest Operation,and Considerate Service”,our business mainly focus on the distribution of electronic components. Line cards we deal with include Microchip,ALPS,ROHM,Xilinx,Pulse,ON,Everlight and Freescale. Main products comprise IC,Modules,Potentiometer,IC Socket,Relay,Connector.Our parts cover such applications as commercial,industrial, and automotives areas.

We are looking forward to setting up business relationship with you and hope to provide you with the best service and solution. Let us make a better world for our industry!



## Contact us

Tel: +86-755-8981 8866 Fax: +86-755-8427 6832

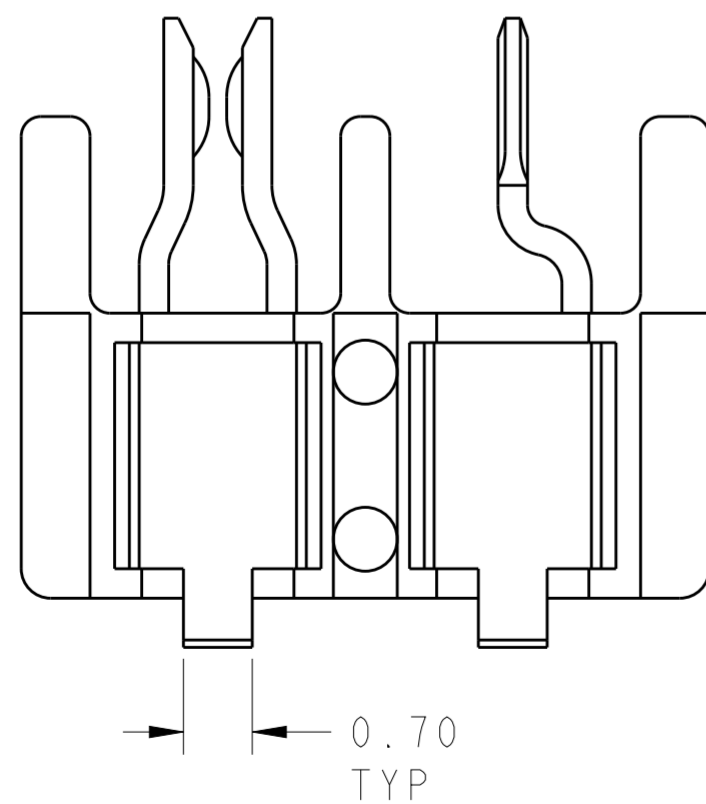
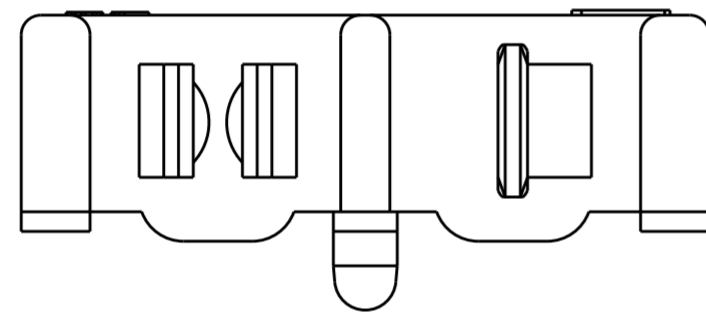
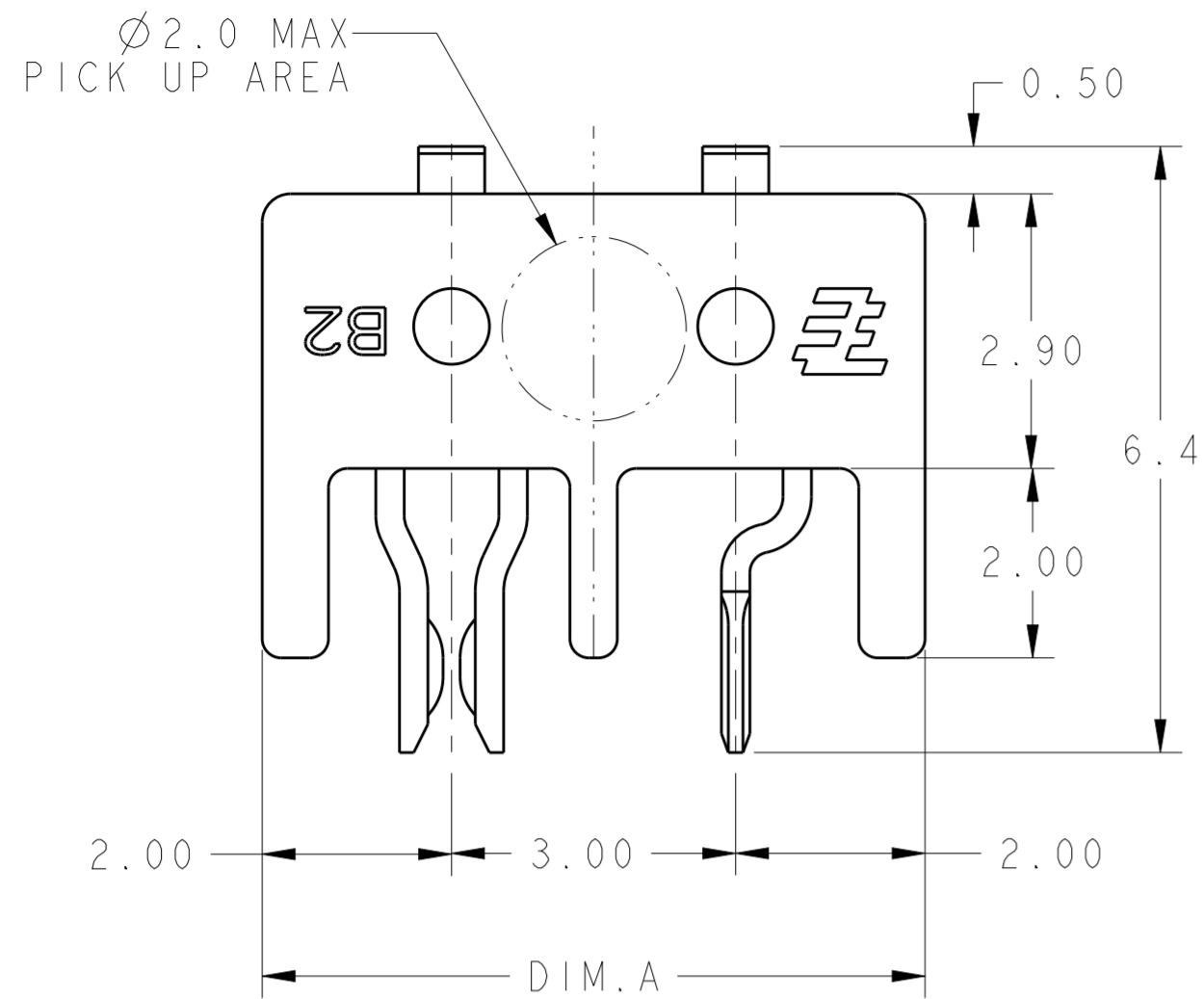
Email & Skype: info@chipsmall.com Web: www.chipsmall.com

Address: A1208, Overseas Decoration Building, #122 Zhenhua RD., Futian, Shenzhen, China



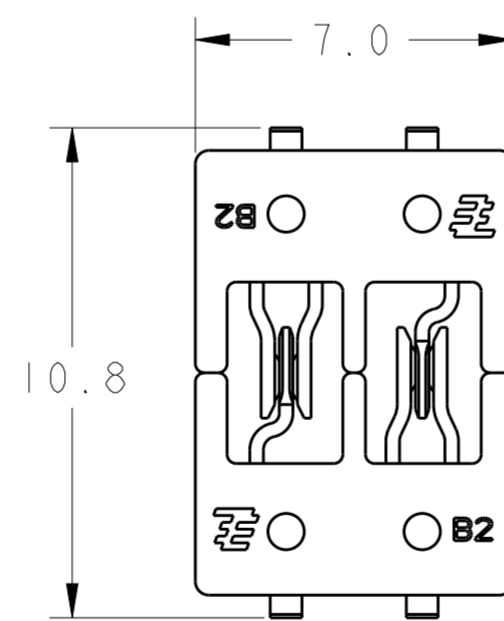
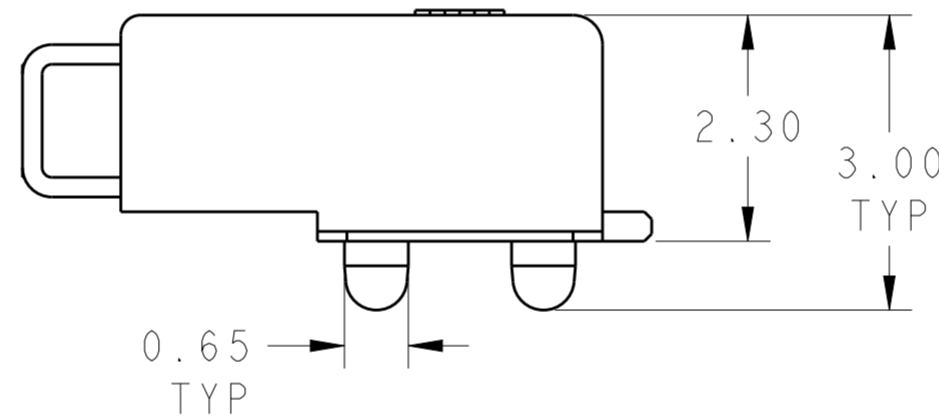
THIS DRAWING IS UNPUBLISHED. RELEASED FOR PUBLICATION 20  
 © COPYRIGHT 20 BY - ALL RIGHTS RESERVED.

REVISIONS					
P	LTR	DESCRIPTION	DATE	DWN	APVD
A		REVISED PER ECR-16-004163	29MAR2016	RS	DD
AI		REVISED PER ECR-16-009104	23JUN2016	RS	DD

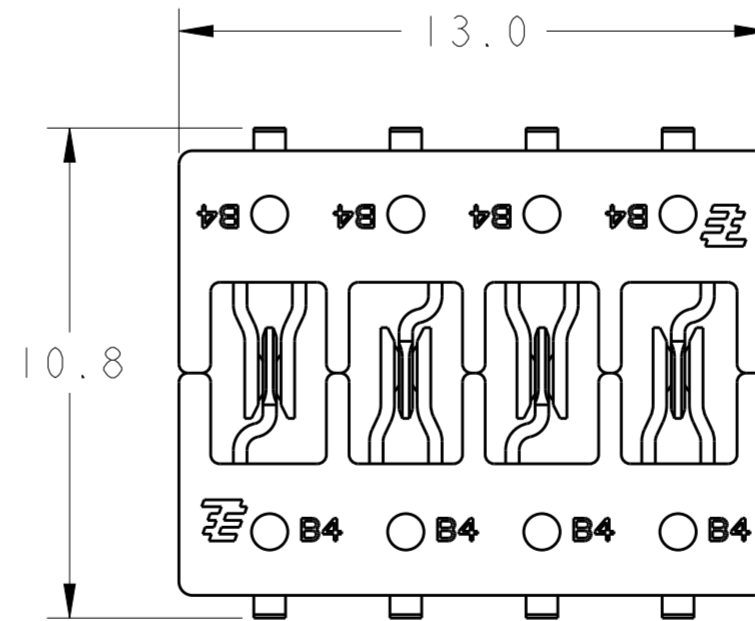


NOTES:

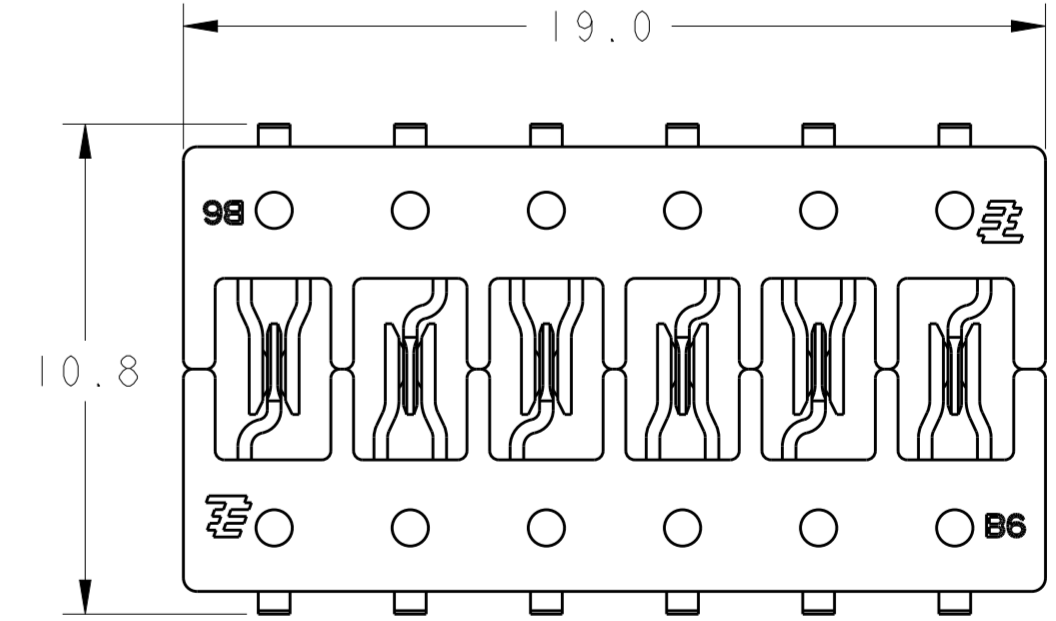
1. PACKAGED IN TAPE AND REEL PER IEA-481 SPECIFICATIONS.
2. MATERIAL AND FINISH:  
 -HOUSING: THERMAL PLASTIC  
 -PIN CONTACT: BRASS  
 -SOCKET CONTACT: COPPER ALLOY  
 -FINISH: SELECT GOLD OVER NICKEL.
3. SUITABLE FOR SMT PROCESS.
4. TO ENSURE THE FUNCTION OF THE MINIATURE HERMAPHRODITIC B-B CONNECTORS, THE PCB WITH MINIATURE HERMAPHRODITIC B-B CONNECTORS SHOULD BE FIXED ON THE HEAT SINK OR SOME OTHER RIGID SUBSTRATE. CUSTOMER CAN USE SCREW (SHOW AS APPLICATION VIEW), GLUE, OR SOME OTHER METHOD TO FIX THE PCBs. FOR DETAIL PLEASE REFER TO INSTRUCTION SHEET 411-106013



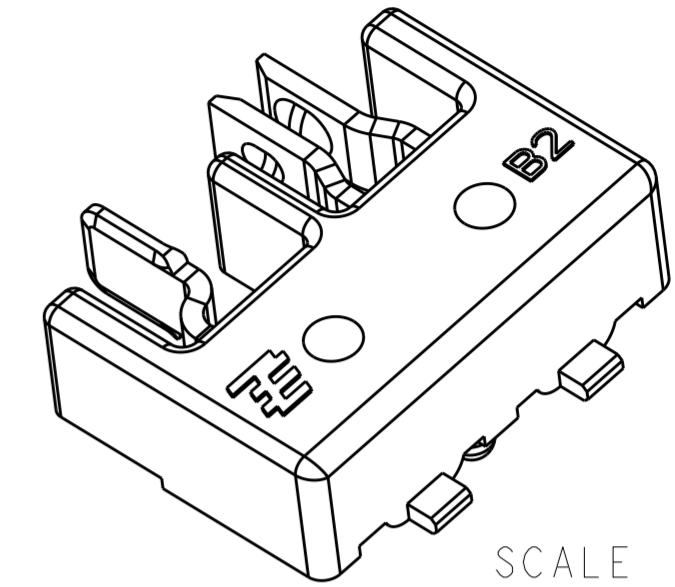
2213611-1 (2 MATING PARTS)  
SCALE 6:1



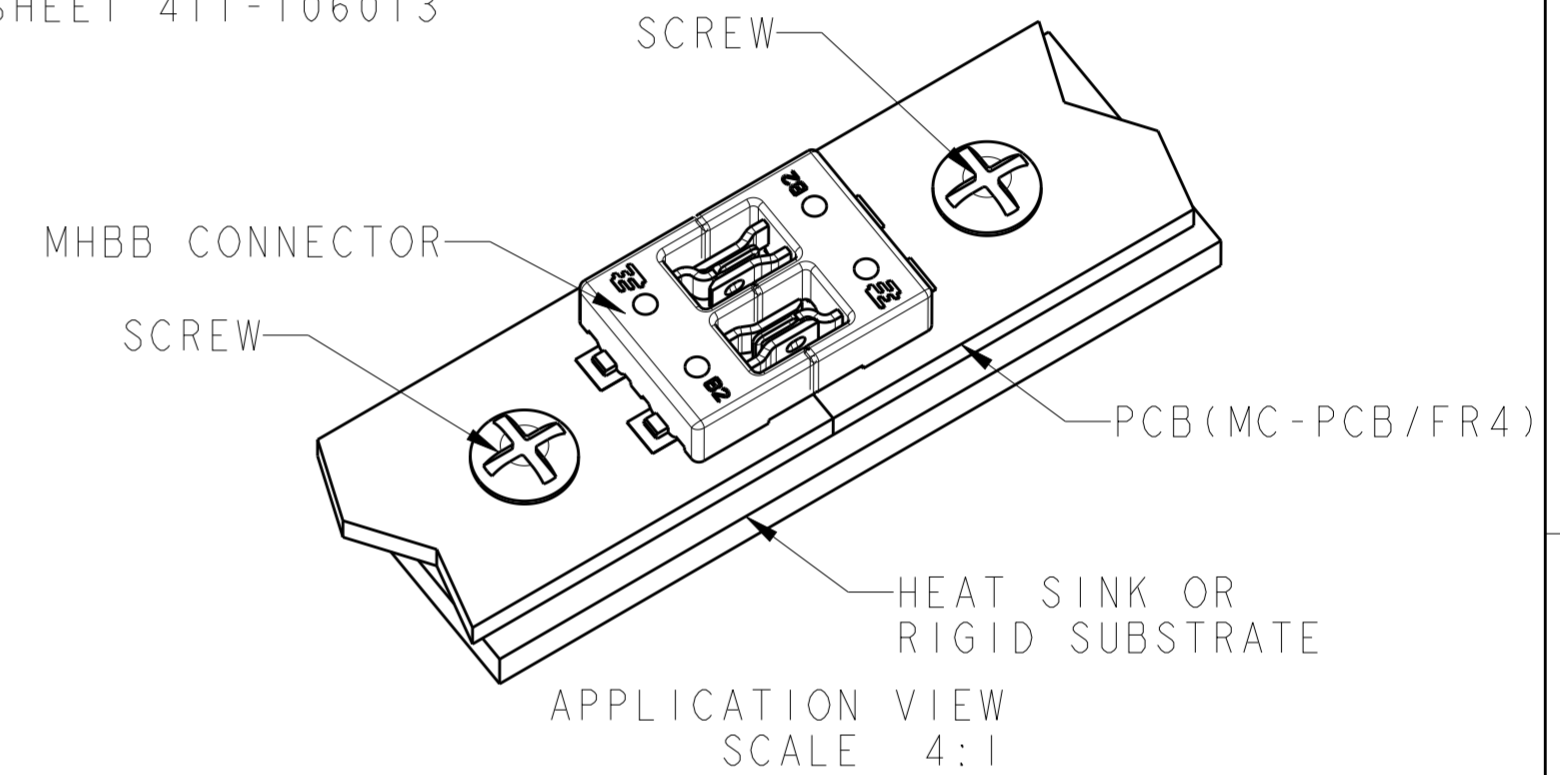
2213611-2 (2 MATING PARTS)  
SCALE 6:1



2213611-3 (2 MATING PARTS)  
SCALE 6:1



SCALE 10:1



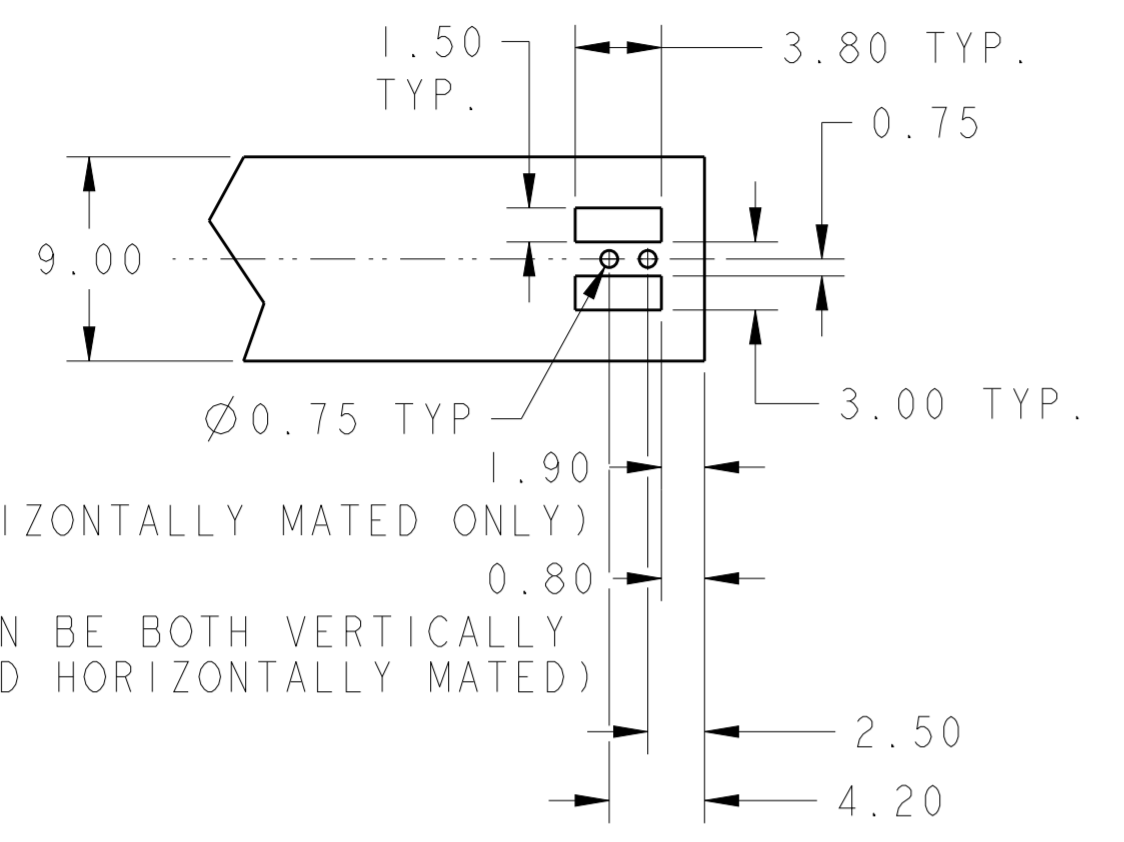
APPLICATION VIEW  
SCALE 4:1

NATURAL	6P	19.0	2213611-3
NATURAL	4P	13.0	2213611-2
NATURAL	2P	7.0	2213611-1
COLOR	POSITION	DIM A	PART NO

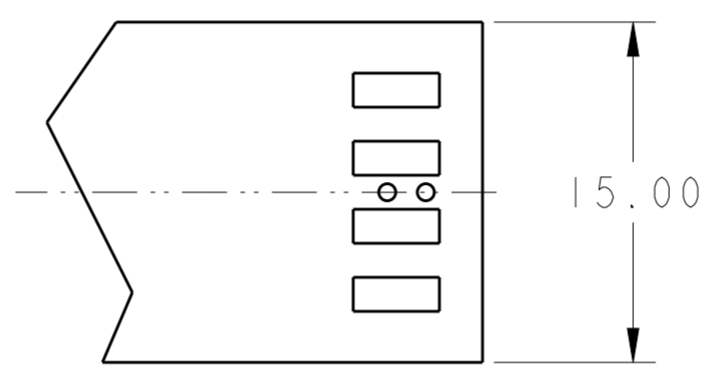
DIMENSIONS:		TOLERANCES UNLESS OTHERWISE SPECIFIED:		DWN RAVLS 26DEC2014		CHK DONALD DECKER 26DEC2014		APVD DONALD DECKER 26DEC2014		STE TE Connectivity	
mm		0 PLC	±	PRODUCT SPEC		NAME		108-106050		RESTRICTED TO	
		1 PLC	±0.5	APPLICATION SPEC		SIZE		114-106050		A200779	
		2 PLC	±0.13	WEIGHT		CAGE CODE		-		G-2213611	
		3 PLC	±0.013	CUSTOMER DRAWING		DRAWING NO		-		SCALE 13:1	
		4 PLC	±0.0001			SHEET		1		OF 2	
MATERIAL		ANGLES	±			REV		A1			
		FINISH									

THIS DRAWING IS UNPUBLISHED. RELEASED FOR PUBLICATION 20  
 © COPYRIGHT 20 BY - ALL RIGHTS RESERVED.

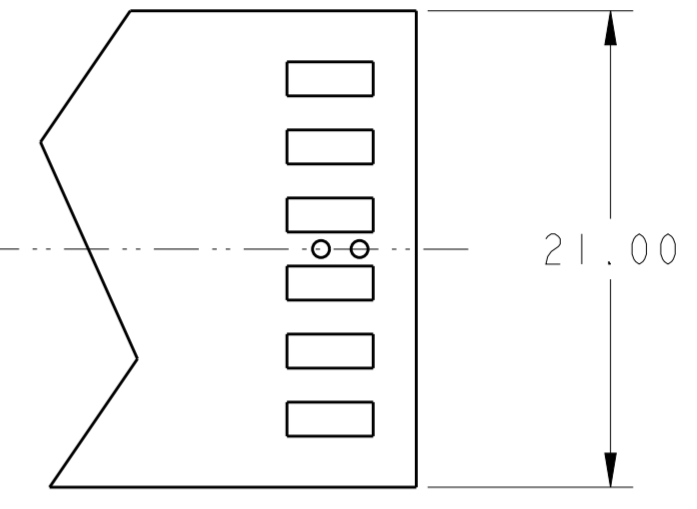
LOC		DIST		REVISIONS			
P	LTR	DESCRIPTION	DATE	DWN	APVD		
-	-	SEE SHEET 1	-	-	-		



RECOMMENDED PCB LAYOUT FOR 2213611-1 (±0.10mm)  
SCALE 3:1

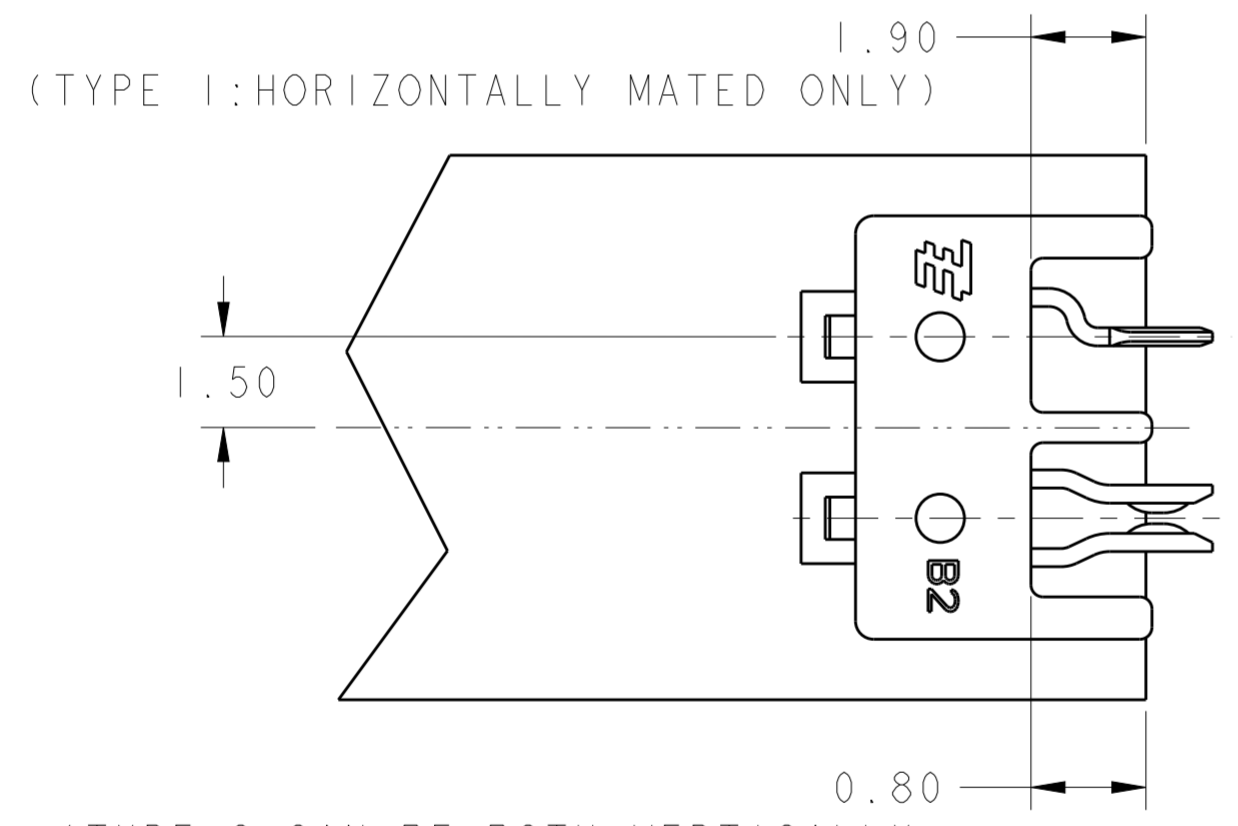


RECOMMENDED PCB LAYOUT FOR 2213611-2 (±0.10mm)  
SCALE 3:1

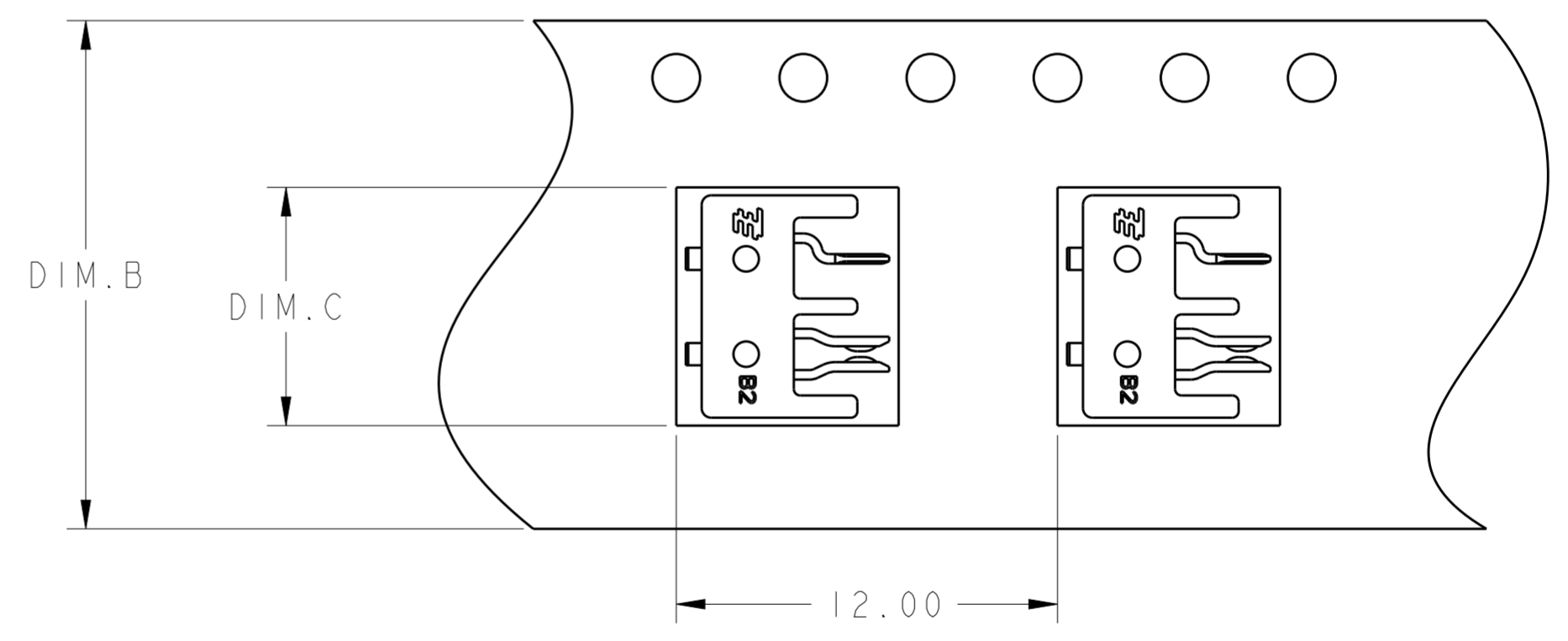


RECOMMENDED PCB LAYOUT FOR 2213611-3 (±0.10mm)  
SCALE 3:1

ALL FEATURES AND DIMENSIONS OF PCB LAYOUT FOR 2213611-2, 2213611-3 ARE THE SAME AS PCB LAYOUT FOR 2213611-1 EXCEPT AS SHOWN



SOLDERING LAYOUT (±0.10mm)  
SCALE 8:1



TO BE PACKAGED AS SHOWN (±0.10mm)  
SCALE 5:1

6P	19.30	32.00	2213611-3
4P	13.30	24.00	2213611-2
2P	7.30	16.00	2213611-1
POSITION	DIM.C	DIM.B	FOR P/N

THIS DRAWING IS A CONTROLLED DOCUMENT.		DWN RAVI.S 26DEC2014	TE Connectivity	
DIMENSIONS: mm		CHK DONALD DECKER 26DEC2014		
TOLERANCES UNLESS OTHERWISE SPECIFIED:		APVD DONALD DECKER 26DEC2014	NAME MINIATURE HERMAPHRODITIC BOARD TO BOARD CONNECTOR	
0 PLC ±-		PRODUCT SPEC 108-106050	SIZE CAGE CODE DRAWING NO RESTRICTED TO	
1 PLC ±0.5		APPLICATION SPEC 114-106050	A200779 C-2213611	
2 PLC ±0.13		WEIGHT -	SCALE 3:1 SHEET 2 OF 2 REV A1	
3 PLC ±0.013		CUSTOMER DRAWING		
4 PLC ±0.0001				
ANGLES ±-				
FINISH -				