



Chipsmall Limited consists of a professional team with an average of over 10 year of expertise in the distribution of electronic components. Based in Hongkong, we have already established firm and mutual-benefit business relationships with customers from,Europe,America and south Asia,supplying obsolete and hard-to-find components to meet their specific needs.

With the principle of “Quality Parts,Customers Priority,Honest Operation,and Considerate Service”,our business mainly focus on the distribution of electronic components. Line cards we deal with include Microchip,ALPS,ROHM,Xilinx,Pulse,ON,Everlight and Freescale. Main products comprise IC,Modules,Potentiometer,IC Socket,Relay,Connector.Our parts cover such applications as commercial,industrial, and automotives areas.

We are looking forward to setting up business relationship with you and hope to provide you with the best service and solution. Let us make a better world for our industry!



Contact us

Tel: +86-755-8981 8866 Fax: +86-755-8427 6832

Email & Skype: info@chipsmall.com Web: www.chipsmall.com

Address: A1208, Overseas Decoration Building, #122 Zhenhua RD., Futian, Shenzhen, China

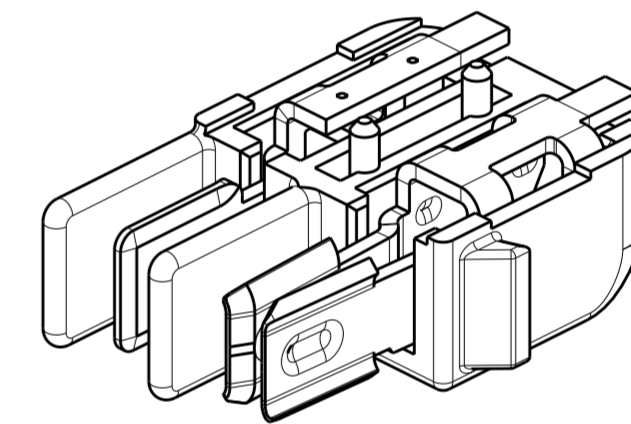
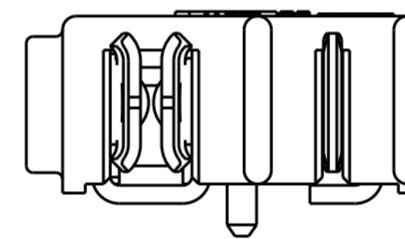
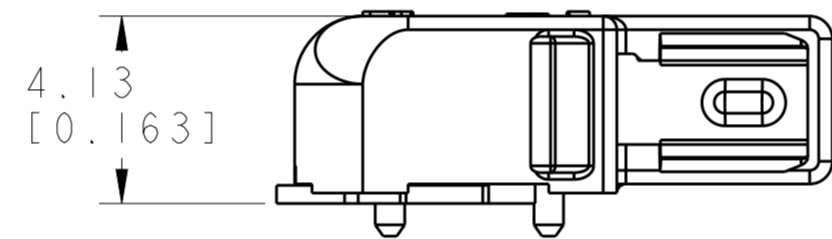
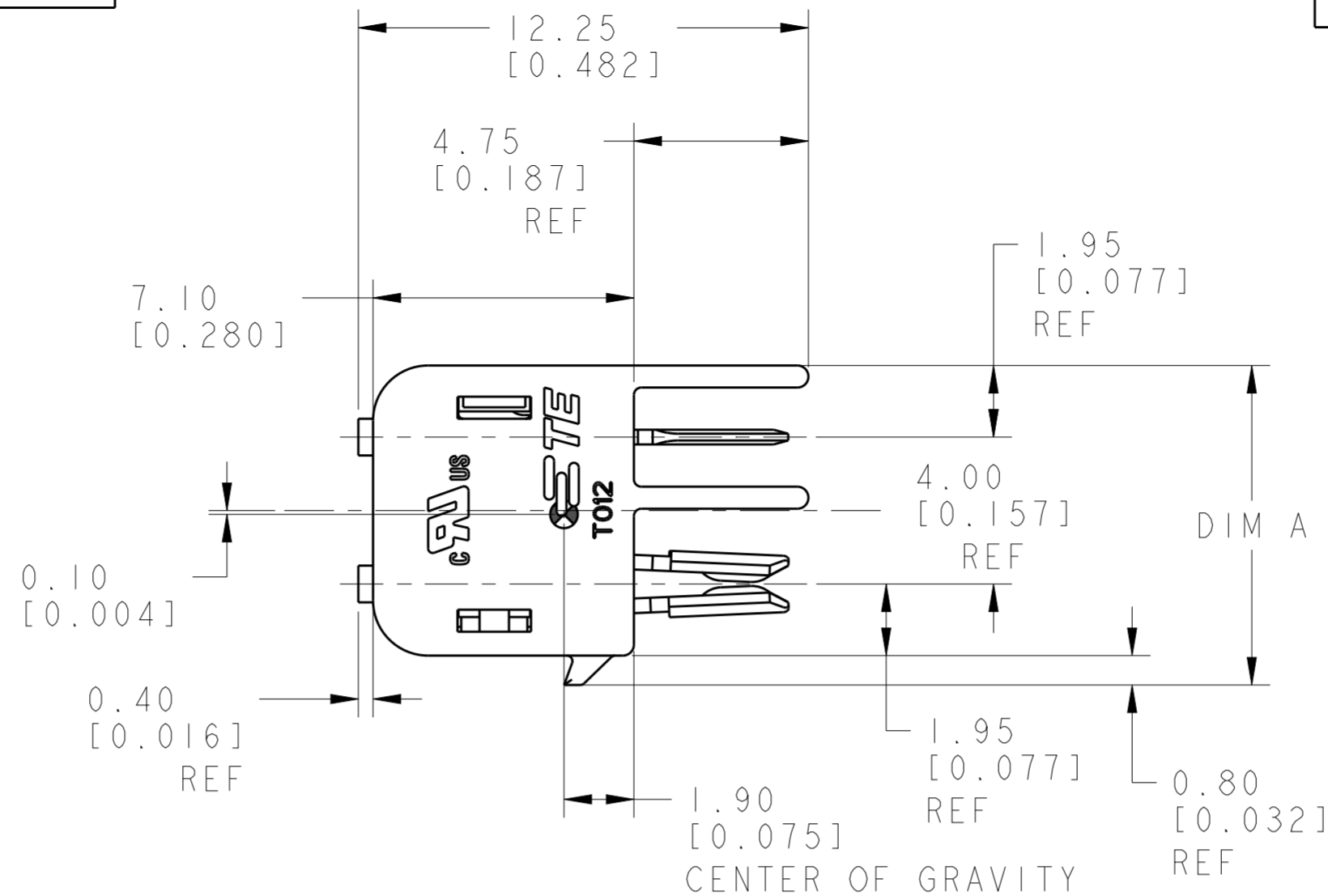


THIS DRAWING IS UNPUBLISHED. RELEASED FOR PUBLICATION 20
 © COPYRIGHT 20 BY - ALL RIGHTS RESERVED.

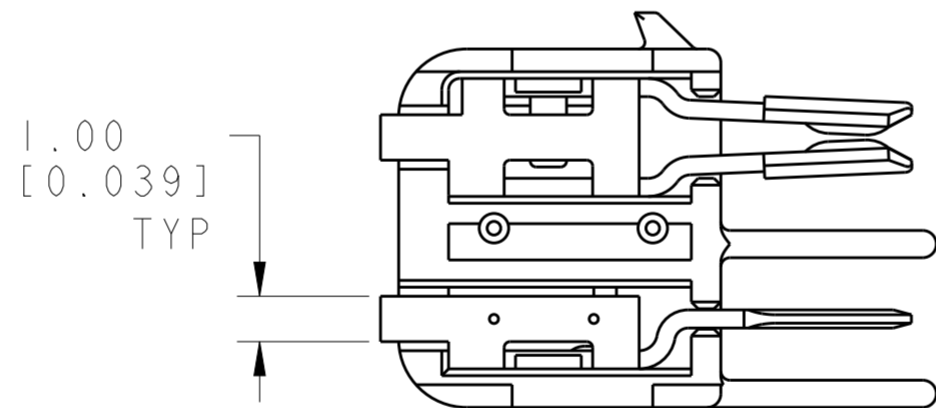
LOC		DIST		REVISIONS			
P	LTR	DESCRIPTION	DATE	DWN	APVD		
	A	REVISED PER ECR-16-005567	19APR2016	RS	DD		
	AI	REVISED PER ECR-16-010299	20JUL2016	RS	PO		

NOTES:

- 1. MATERIALS AND FINISH
 - HOUSING: LCP
 - CONTACTS: COPPER ALLOY, FINISH: TIN AND SELECT GOLD
- 2. PRODUCT TO COMPLY WITH DIRECTIVE 2002/95/EC (ROHS)
- 3. PACKAGED IN TAPE AND REEL



2213617-1/
1-2213617-1
SHOWN

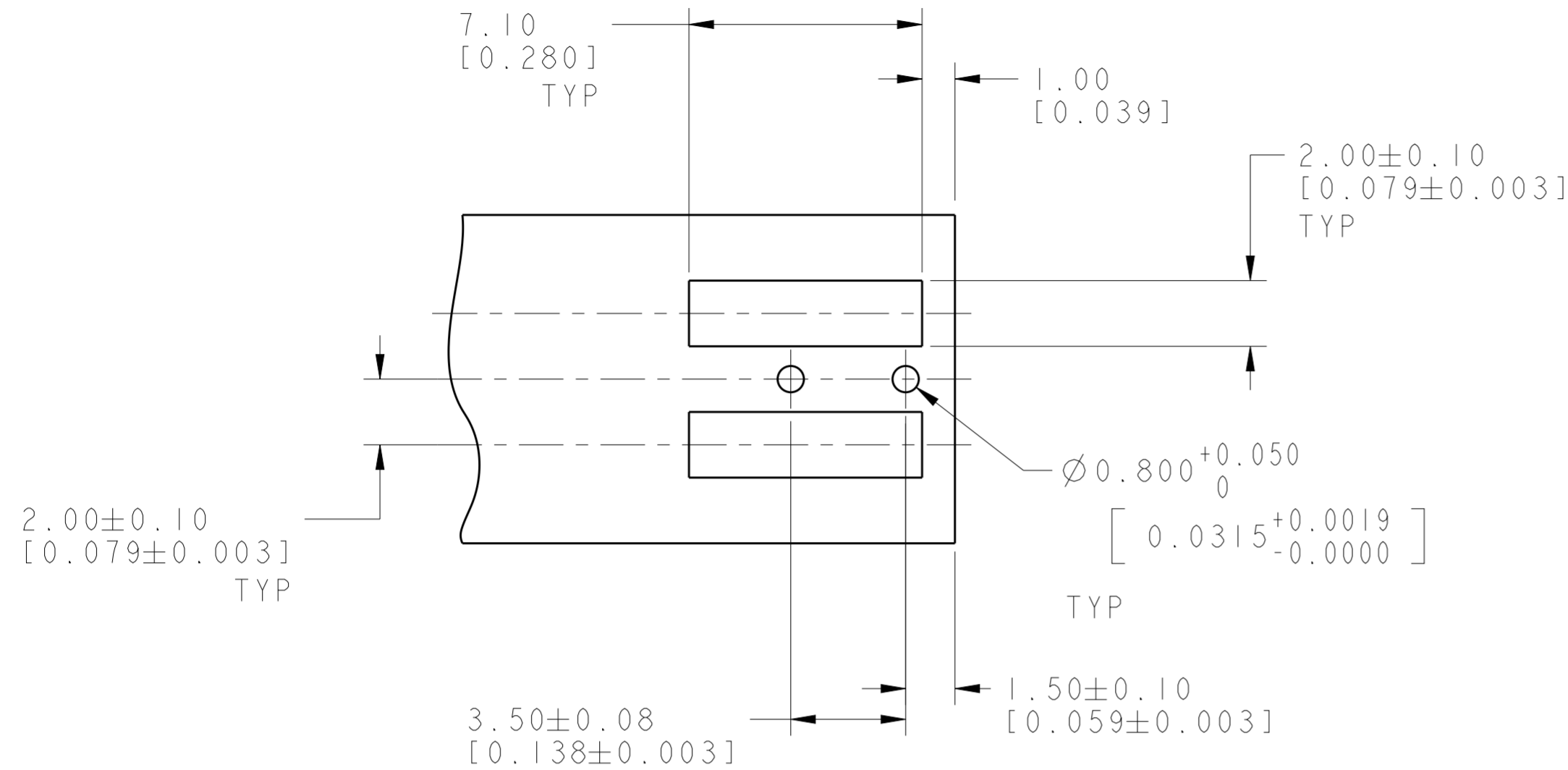


6	BLACK	24.70	1-2213617-3
4	BLACK	16.70	1-2213617-2
2	BLACK	8.70	1-2213617-1
6	NATURAL	24.70	2213617-3
4	NATURAL	16.70	2213617-2
2	NATURAL	8.70	2213617-1
POSITION	COLOR	DIM A	PART NO.

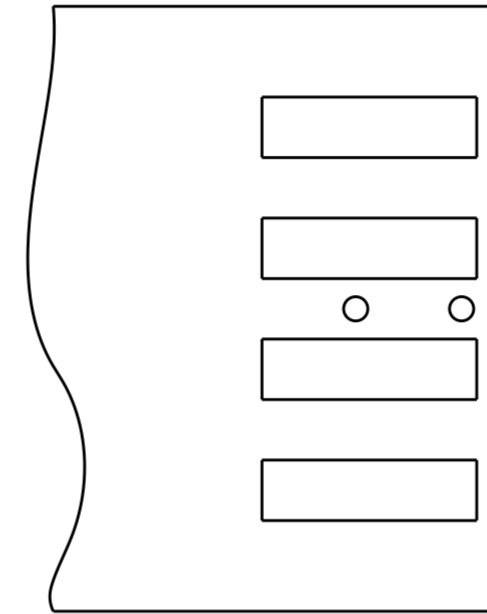
THIS DRAWING IS A CONTROLLED DOCUMENT.		DWN RAVLS 22 JAN 2015	TE Connectivity	
		CHK D. DECKER 22 JAN 2015		
		APVD D. DECKER 22 JAN 2015	NAME CONNECTOR ASSEMBLY, HERMAPHRODITIC BLADE AND RECEPTACLE, WITH LATCH AND BOSS	
DIMENSIONS: mm		PRODUCT SPEC 108-2342	SIZE A200779	CAGE CODE C-2213617
TOLERANCES UNLESS OTHERWISE SPECIFIED: 0 PLC ± 1 PLC ± 2 PLC ±0.13 3 PLC ±0.013 4 PLC ± ANGLES ±1° FINISH		APPLICATION SPEC 114-13225	DRAWING NO.	RESTRICTED TO
MATERIAL		WEIGHT	SCALE 6:1	SHEET 1 OF 2
		CUSTOMER DRAWING	REV A1	

THIS DRAWING IS UNPUBLISHED. RELEASED FOR PUBLICATION 20
 © COPYRIGHT 20 BY - ALL RIGHTS RESERVED.

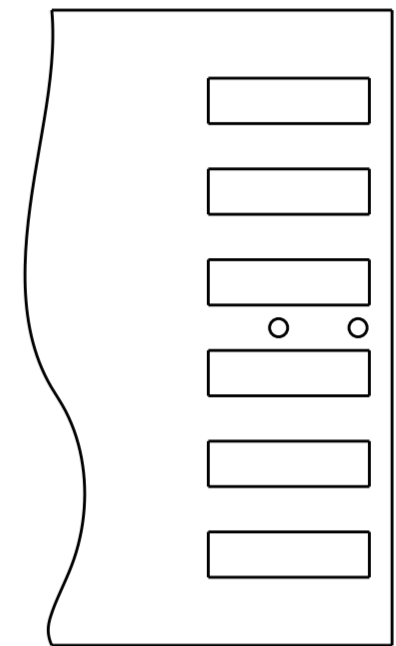
LOC		DIST		REVISIONS			
P	LTR	DESCRIPTION	DATE	DWN	APVD		
-	-	SEE SHEET 1	-	-	-		



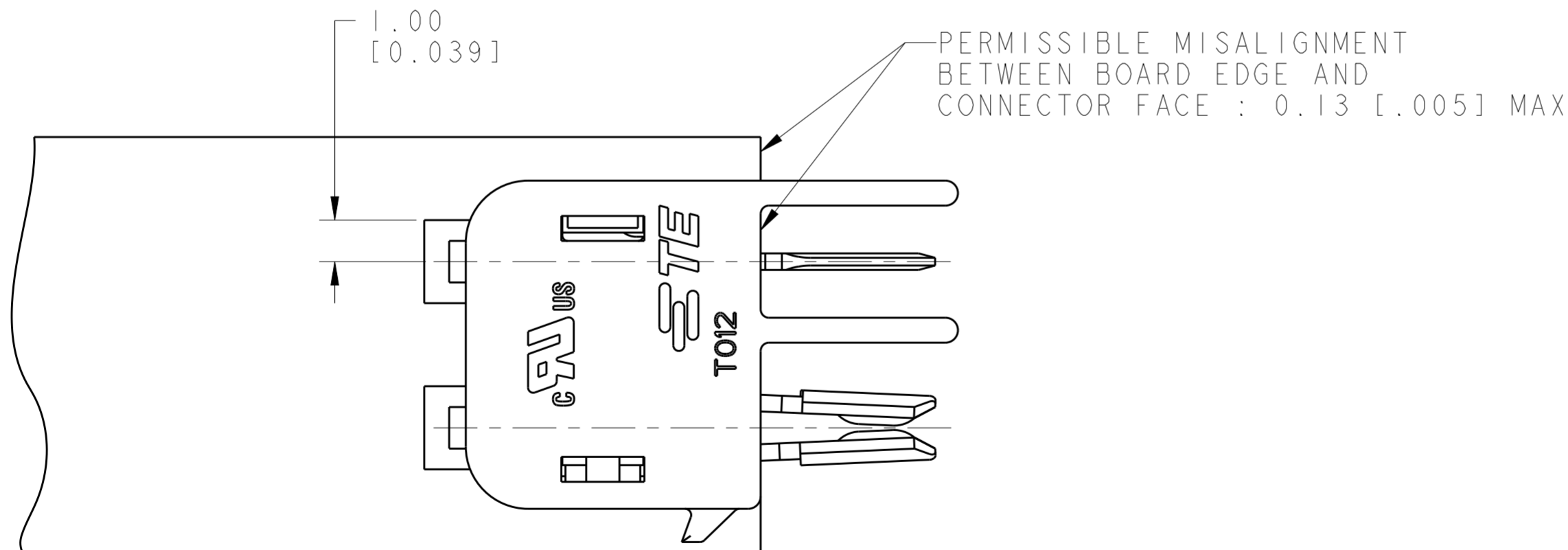
RECOMMENDED PCB LAYOUT FOR 2213617-1 & 1-2213617-1



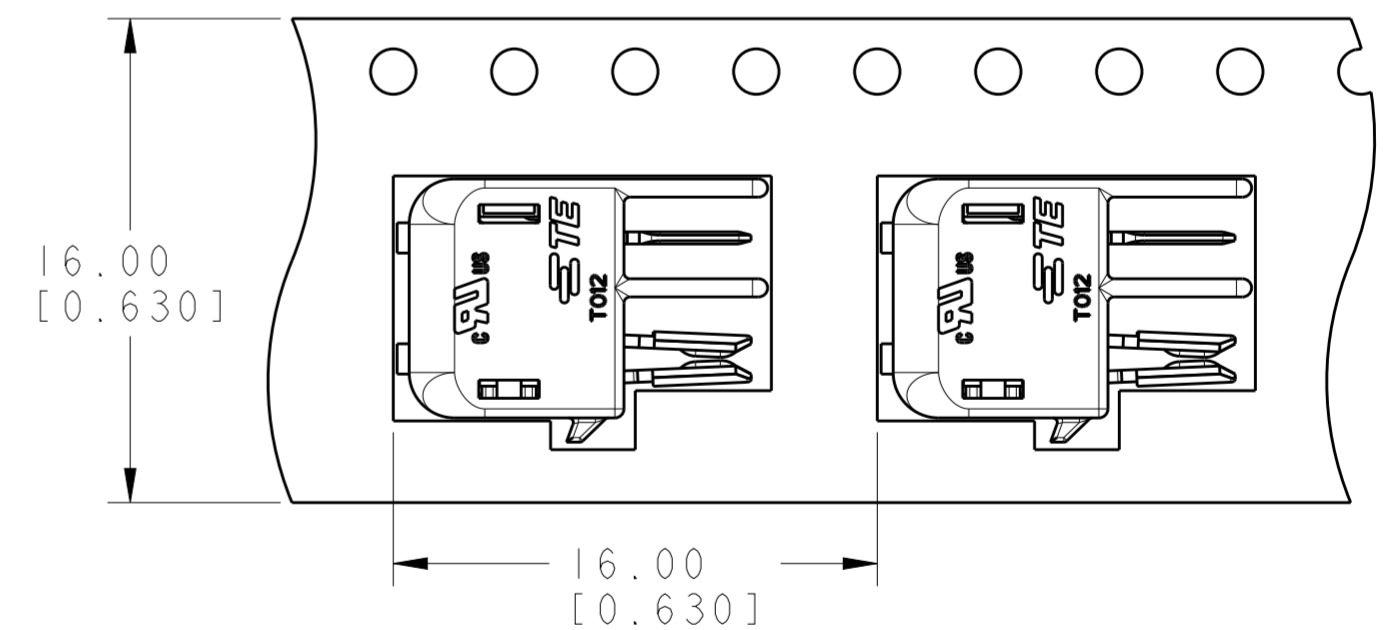
RECOMMENDED PCB LAYOUT FOR 2213617-2 & 1-2213617-2



RECOMMENDED PCB LAYOUT FOR 2213617-3 & 1-2213617-3



SCALE 8:1



TO BE PACKAGED AS SHOWN SCALE 4:1

THIS DRAWING IS A CONTROLLED DOCUMENT.		DWN RAVLS 22JAN2015	TE Connectivity	
		CHK D. DECKER 22JAN2015		
		APVD D. DECKER 22JAN2015	NAME CONNECTOR ASSEMBLY, HERMAPHRODITIC BLADE AND RECEPTACLE, WITH LATCH AND BOSS	
DIMENSIONS: mm		PRODUCT SPEC 108-2342	SIZE 114-13225	RESTRICTED TO
TOLERANCES UNLESS OTHERWISE SPECIFIED: 0 PLC ± 1 PLC ± 2 PLC ±0.13 3 PLC ±0.013 4 PLC ± ANGLES ±1° FINISH		APPLICATION SPEC	SCALE A200779 C-2213617	
MATERIAL		WEIGHT	SCALE 6:1	SHEET 2 OF 2
		CUSTOMER DRAWING	REV A1	