



Chipsmall Limited consists of a professional team with an average of over 10 year of expertise in the distribution of electronic components. Based in Hongkong, we have already established firm and mutual-benefit business relationships with customers from,Europe,America and south Asia,supplying obsolete and hard-to-find components to meet their specific needs.

With the principle of “Quality Parts,Customers Priority,Honest Operation,and Considerate Service”,our business mainly focus on the distribution of electronic components. Line cards we deal with include Microchip,ALPS,ROHM,Xilinx,Pulse,ON,Everlight and Freescale. Main products comprise IC,Modules,Potentiometer,IC Socket,Relay,Connector.Our parts cover such applications as commercial,industrial, and automotives areas.

We are looking forward to setting up business relationship with you and hope to provide you with the best service and solution. Let us make a better world for our industry!



## Contact us

Tel: +86-755-8981 8866 Fax: +86-755-8427 6832

Email & Skype: info@chipsmall.com Web: www.chipsmall.com

Address: A1208, Overseas Decoration Building, #122 Zhenhua RD., Futian, Shenzhen, China



THIS DRAWING IS UNPUBLISHED.

RELEASED FOR PUBLICATION

20

© COPYRIGHT 20 BY -

ALL RIGHTS RESERVED.

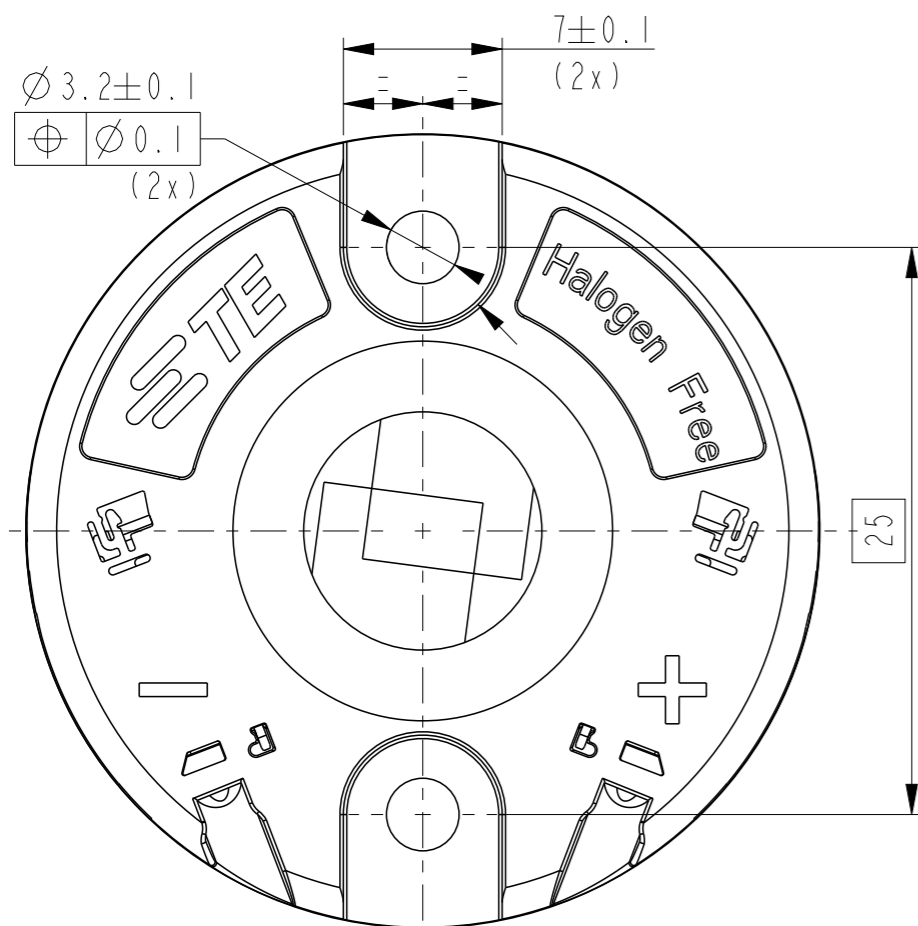
LOC DIST

REVISIONS

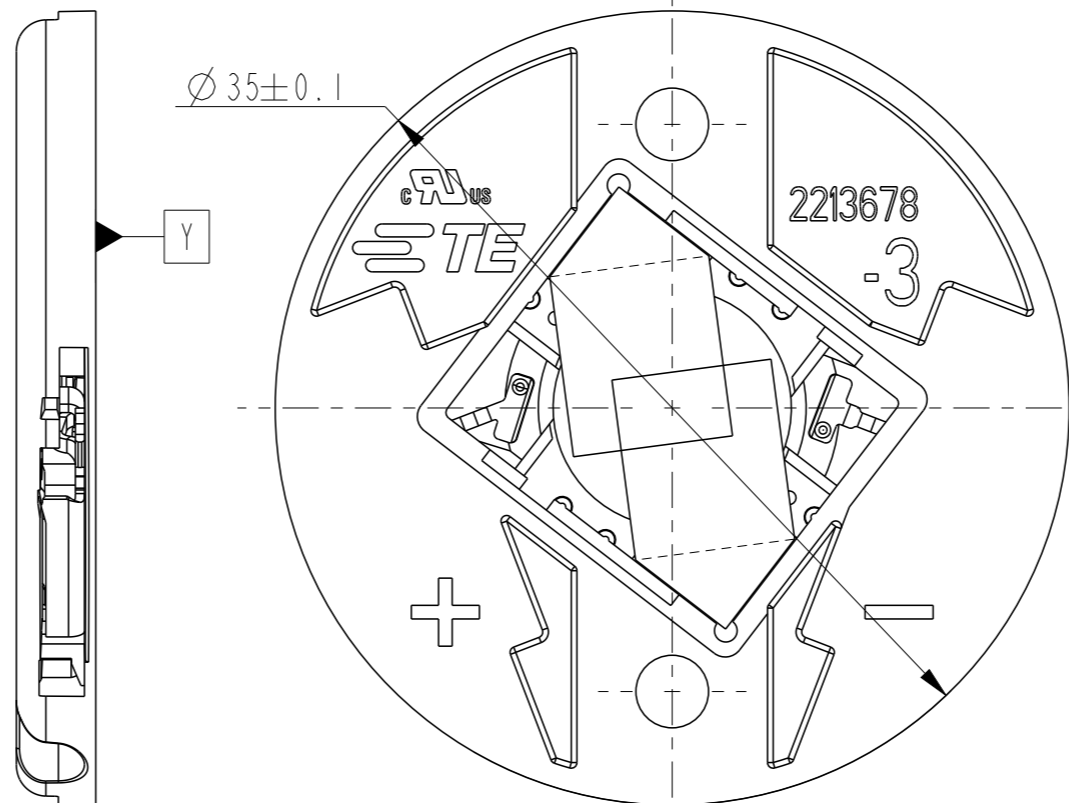
P	LTR	DESCRIPTION	DATE	DWN	APVD
A		RELEASED FOR PRODUCTION	31AUG2016	KR	MvE
B		NEW PRODUCT INTRODUCTION	12SEP2016	KR	MvE
B1		ECR-16-013138	14SEP2016	KR	MvE
B2		ADDED RELEASED LEDS	28JAN2017	RK	MVE

NOTES:

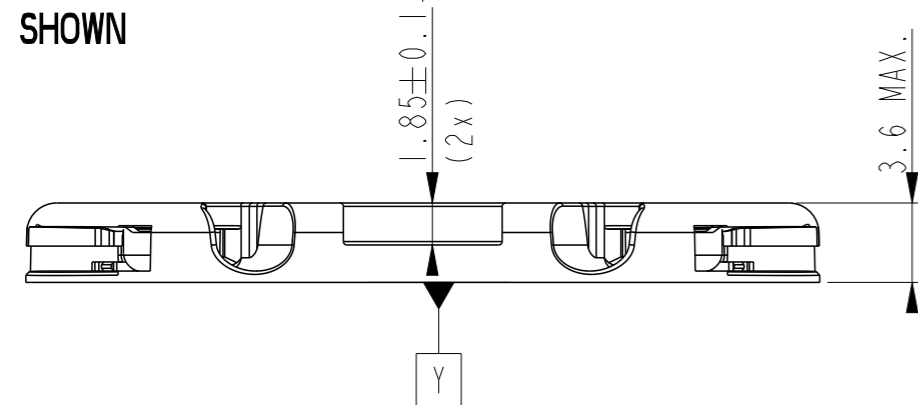
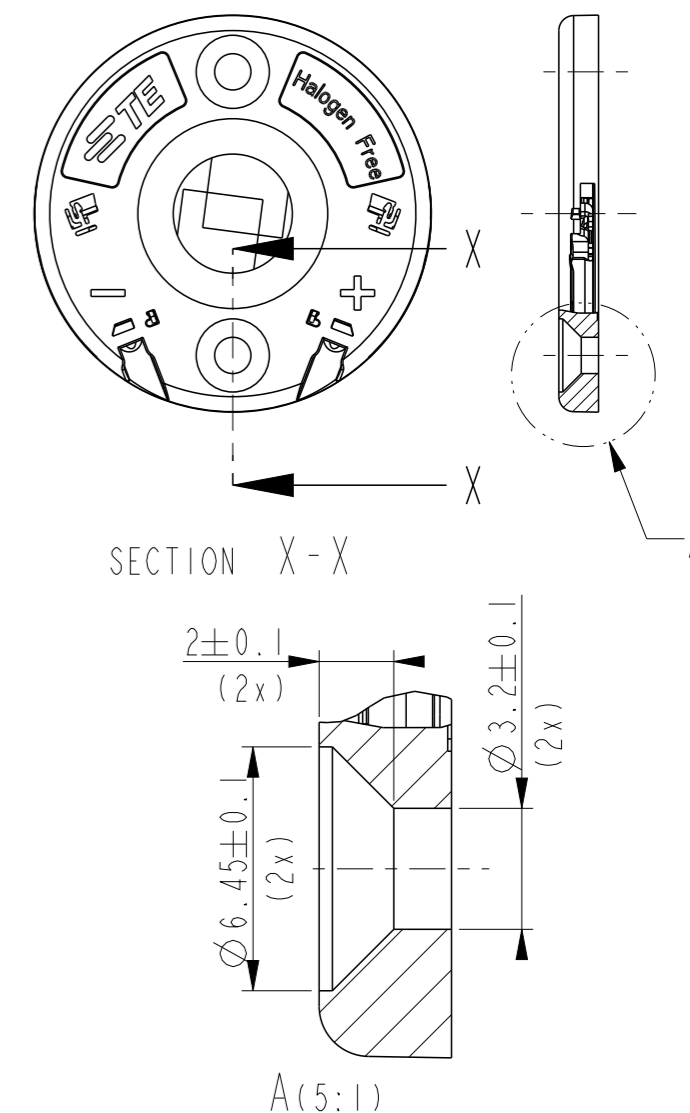
- MATERIALS:
  - HOLDER: PBT, COLOR: NATURAL,
  - CONTACTS: COPPER ALLOY, Ni/Au PLATING.
- FOR SOLID, FUSED AND STRANDED WIRE TYPES AWG 18 AND 20 ACC. UL 1007.
- WIRE STRIP LENGTH: 11-12 mm
- MAX. WIRE INSULATION OUTER DIAM.:  $\varnothing 2.3\text{mm}$ .
- RECOMMENDED SCREW TORQUE: 0.4 - 0.6 Nm.
- SCREWS TO BE USED:
  - PAN HEAD M3, #4-40 AND COUNTERSUNK M3 (2x), SEE TABLE SHEET 2.
- FOR LED THICKNESS RANGE 0.9-1.0 NOM.
- LED MATING ON 2 CORNERS WITH ADHESIVE TAPE.
- SPECIAL PACKAGING IN 10 PIECES TRAY.



P/N 2213678-3 AS SHOWN



P/N 2213678-4 AS SHOWN

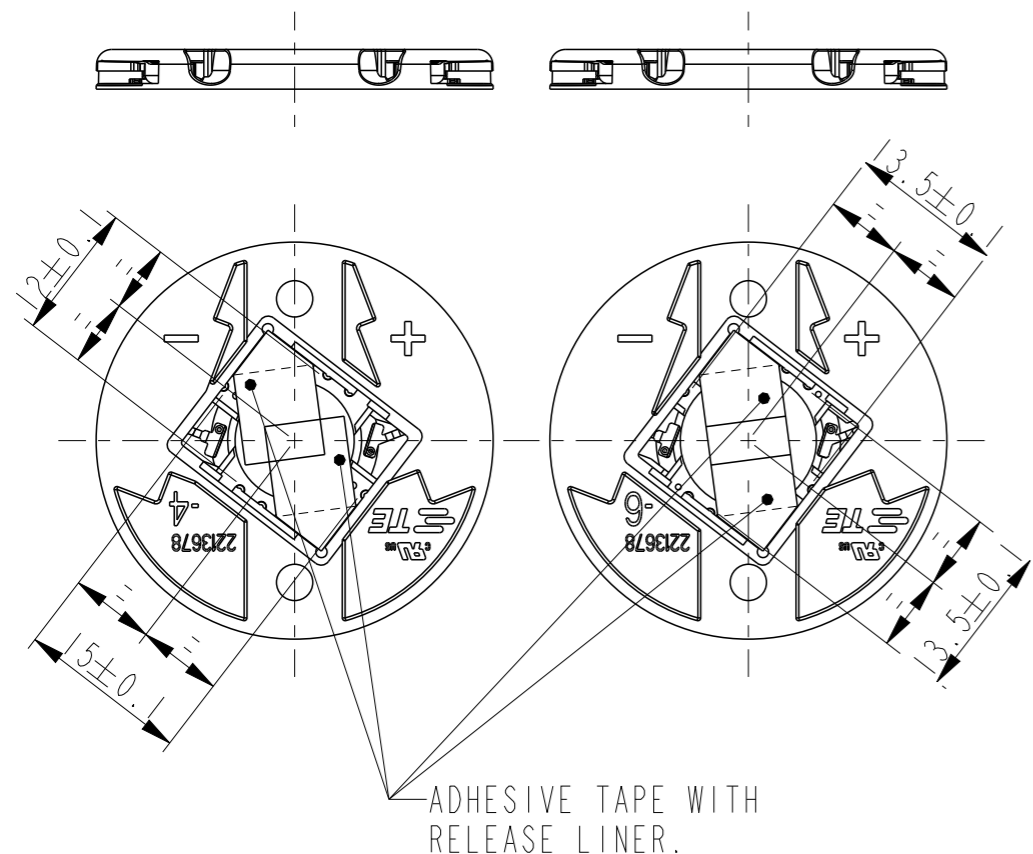
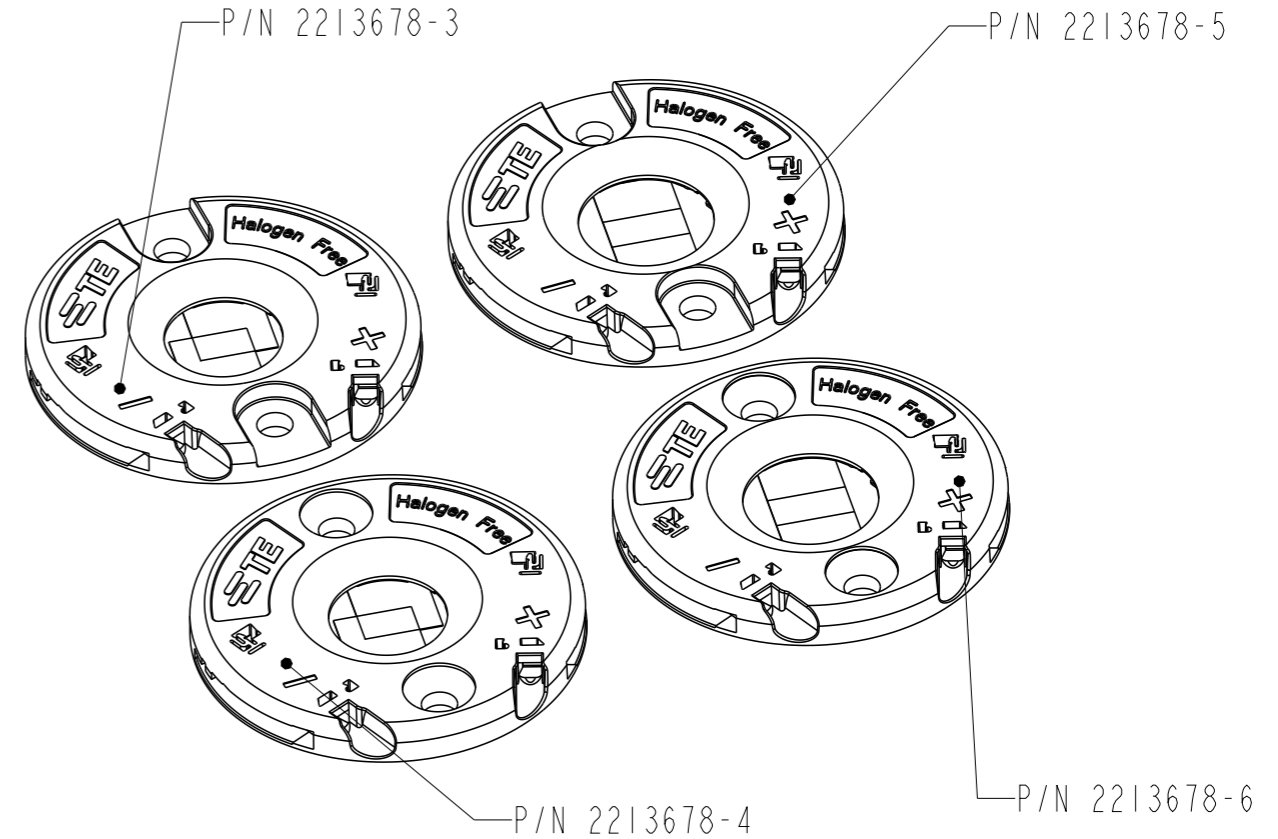
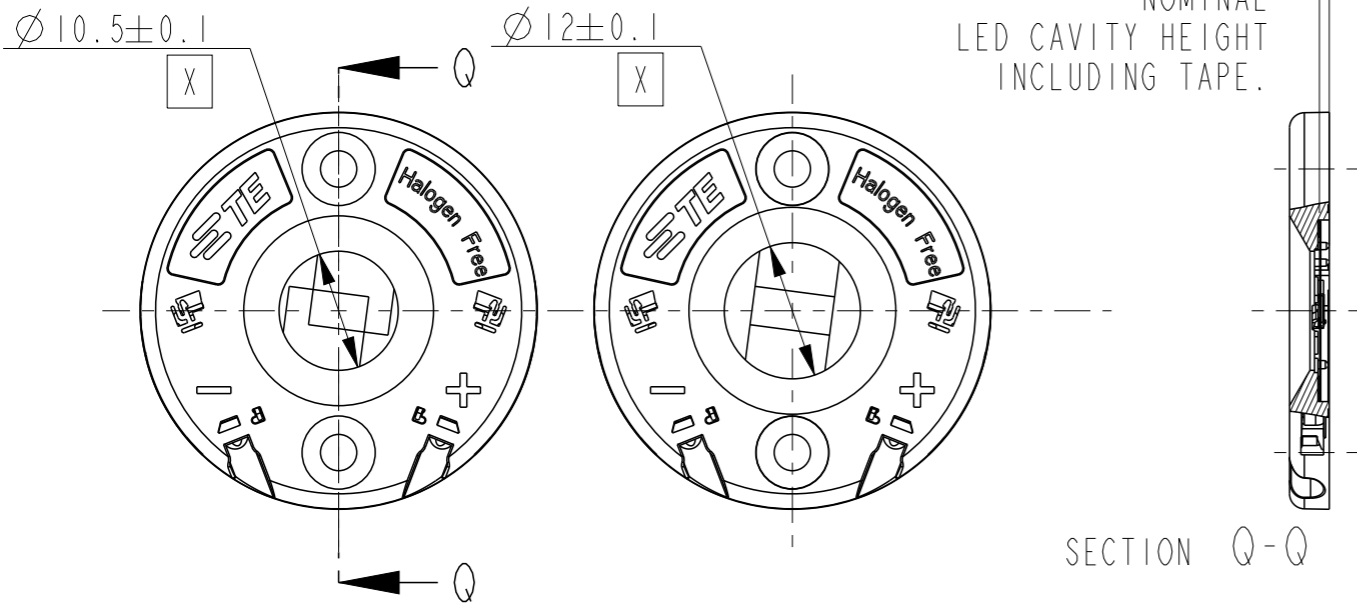


THIS DRAWING IS A CONTROLLED DOCUMENT.		DWN P. POORTER 22MAY2015	<b>STE</b> TE Connectivity	
		CHK O. LEIJNSE 22MAY2015		
DIMENSIONS: mm		APVD O. LEIJNSE 22MAY2015	NAME MINI COB HOLDER PLATFORM	
TOLERANCES UNLESS OTHERWISE SPECIFIED:		PRODUCT SPEC 108-133062	RESTRICTED TO	
0 PLC ±0.2		APPLICATION SPEC 114-133062	SIZE A3	CAGE CODE 00779
1 PLC ±0.2		WEIGHT	DRAWING NO C-2213678	
2 PLC ±0.1		CUSTOMER DRAWING	SCALE	SHEET 1 OF 3
3 PLC ±0.1				REV B2
4 PLC ±0.1				
ANGLES ±5				
FINISH				

P	LTR	DESCRIPTION	DATE	DWN	APVD
	-	SEE SHEET 1	-	-	-

LED OUTLINE:  
P/N 1-2213678-4 (NO TAPE)  
P/N 1-2213678-3 (NO TAPE)  
P/N 2213678-3  
P/N 2213678-4 (SHOWN)

LED OUTLINE:  
P/N 1-2213678-6 (NO TAPE)  
P/N 1-2213678-5 (NO TAPE)  
P/N 2213678-5  
P/N 2213678-6 (SHOWN)



ADHESIVE TAPE WITH  
RELEASE LINER.

2-2213678-3	35mm LED Holder	12*15	PAN HEAD	YES	YES
1-2213678-6	35mm LED Holder	13.5*13.5	COUNTERSUNK	NO	ON REQUEST
1-2213678-5	35mm LED Holder	13.5*13.5	PAN HEAD	NO	ON REQUEST
1-2213678-4	35mm LED Holder	12*15	COUNTERSUNK	NO	ON REQUEST
1-2213678-3	35mm LED Holder	12*15	PAN HEAD	NO	YES
2213678-6	35mm LED Holder	13.5*13.5	COUNTERSUNK	YES	YES
2213678-5	35mm LED Holder	13.5*13.5	PAN HEAD	YES	YES
2213678-4	35mm LED Holder	12*15	COUNTERSUNK	YES	YES
2213678-3	35mm LED Holder	12*15	PAN HEAD	YES	YES
PART NO	DESCRIPTION	LED OUTLINE	SCREW TYPE	TAPE	AVAILABLE

THIS DRAWING IS A CONTROLLED DOCUMENT.

DWN P. POORTER 22MAY2015  
CHK O. LEIJNSE 22MAY2015  
APVD O. LEIJNSE 22MAY2015

PRODUCT SPEC 108-133062  
APPLICATION SPEC 114-133062  
WEIGHT

**STE** TE Connectivity

NAME MINI COB HOLDER PLATFORM

SIZE A3 CAGE CODE 00779 DRAWING NO C-2213678 RESTRICTED TO -

CUSTOMER DRAWING SCALE 3:2 SHEET 2 OF 3 REV B2



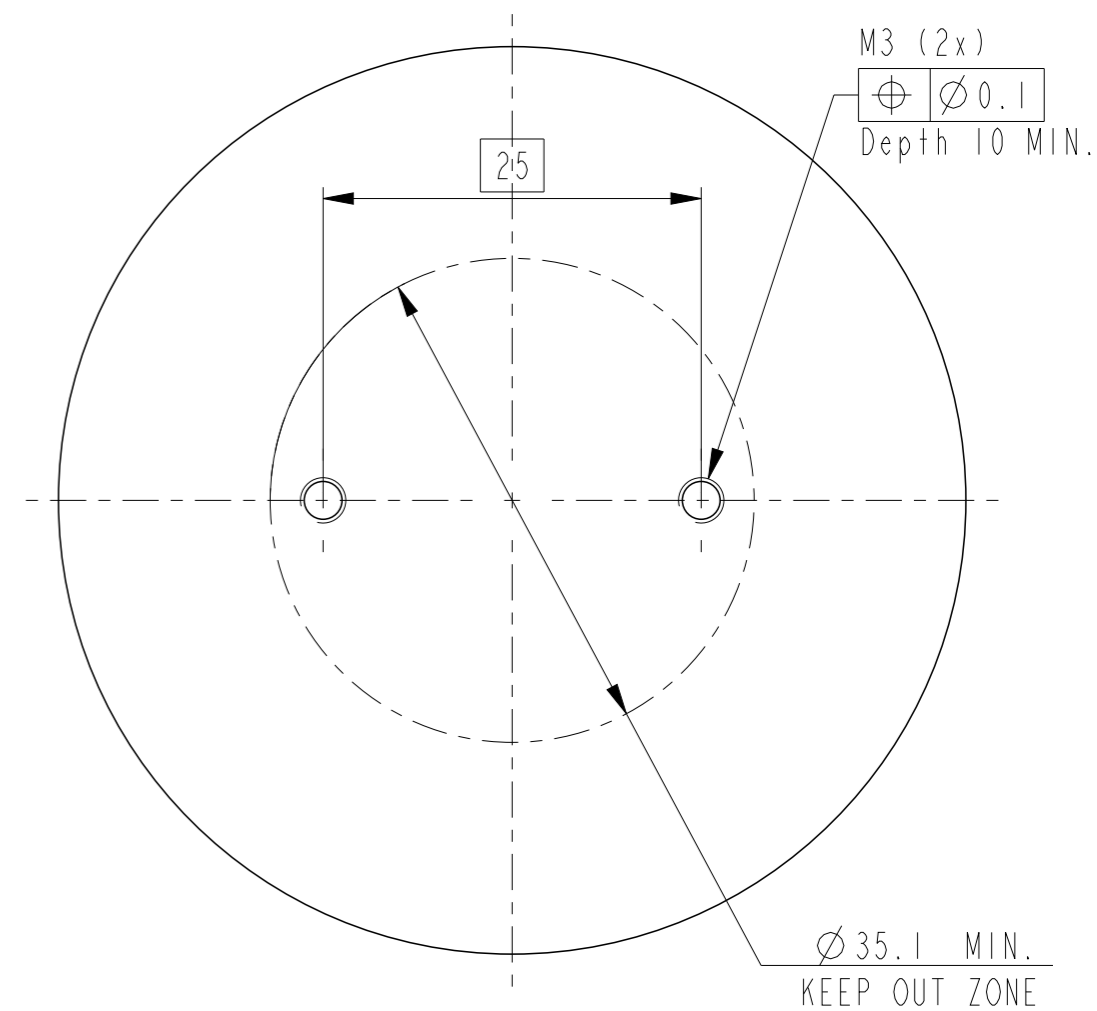
THIS DRAWING IS UNPUBLISHED. RELEASED FOR PUBLICATION 20  
 © COPYRIGHT 20 BY - ALL RIGHTS RESERVED.

LOC		DIST		REVISIONS		
P	LTR	DESCRIPTION	DATE	DWN	APVD	
-	-	SEE SHEET 1	-	-	-	

**RELEASED LED'S**

BRAND	TYPE	DATA SHEET	REVISION	TE PART NUMBER
BRIDGELUX	H6		BRIDGELUX H6 ARRAY PRODUCT DATA SHEET DS80 REV. B (2/2016)	2213678-5 & 2213678-6
BRIDGELUX	V10C GEN 7 ARRAY		DS100 REV. C (07/2016)	2213678-4 & 2213678-5
CITIZEN	CLU700			2213678-5 & 2213678-6
CITIZEN	CLL020			2213678-5 & 2213678-6
CITIZEN	CLL022			2213678-5 & 2213678-6
CITIZEN	CLU024			2213678-5 & 2213678-6
CITIZEN	CLU026			2213678-5 & 2213678-6
CITIZEN	CLU025			2213678-5 & 2213678-6
CITIZEN	CLU027			2213678-5 & 2213678-6
CITIZEN	CLU701			2213678-5 & 2213678-6
EDISON OPTO	2PHM09X			2213678-5 & 2213678-6
EVERLIGHT	JUI215			2213678-3 & 2213678-4
LUMILEDS	LUXEON COB 105			2213678-3 & 2213678-4
LUMILEDS	LUXEON COB 107			2213678-3 & 2213678-4
LUMILEDS	LUXEON COB 109			2213678-3 & 2213678-4
LUMINUS	CLM-9 GEN 3		PDS-002816 REV 02	2213678-5 & 2213678-6
LUMINUS	CXM-9 GEN 3		PDS-002817 REV 03	2213678-5 & 2213678-6
LUMINUS	CHM6-XH		PDS-002620-REV 03	2213678-5 & 2213678-6
LUMINUS	CHM-9-AC00		PDS-002451 REV 03	2213678-5
PANASONIC	C14 135		20150730	2213678-5 & 2213678-6
SAMSUNG	LC010C		REV. 2.1 2016.6.20	2213678-3 & 2213678-4
SAMSUNG	LC020C		REV. 2.1 2016.6.20	2213678-3 & 2213678-4
SEOUL	SDW81FIDY_ZC4			2213678-5 & 2213678-6
SHARP	MINI ZENIGATA			2213678-3 & 2213678-4
TRIDONIC	SLE-G5-LES6			2213678-5 & 2213678-6
TRIDONIC	SLE-G5-LES11			2213678-5 & 2213678-6
TRIDONIC	SLE-G6-LES10		JUNE 22ND 2016	2213678-5 & 2213678-6
TRIDONIC	G6 LES 10 ADV		1-SEP-16	2213678-5 & 2213678-6

**RECOMMENDED DRILLING HOLE PATTERN**



THIS DRAWING IS A CONTROLLED DOCUMENT.

DIMENSIONS: mm	TOLERANCES UNLESS OTHERWISE SPECIFIED: 0 PLC ±0.2 1 PLC ±0.2 2 PLC ±0.1 3 PLC ±0.1 4 PLC ±0.1 ANGLES ±5
MATERIAL	FINISH

DWN	P. POORTER	22MAY2015
CHK	O. LEIJNSE	22MAY2015
APVD	O. LEIJNSE	22MAY2015
PRODUCT SPEC	108-133062	
APPLICATION SPEC	114-133062	
WEIGHT	CUSTOMER DRAWING	

**STE** TE Connectivity

NAME: **MINI COB HOLDER PLATFORM**

SIZE	CAGE CODE	DRAWING NO	RESTRICTED TO
A3	00779	©-2213678	-

SCALE: 2:1 SHEET 3 OF 3 REV B2