



Chipsmall Limited consists of a professional team with an average of over 10 year of expertise in the distribution of electronic components. Based in Hongkong, we have already established firm and mutual-benefit business relationships with customers from,Europe,America and south Asia,supplying obsolete and hard-to-find components to meet their specific needs.

With the principle of “Quality Parts,Customers Priority,Honest Operation,and Considerate Service”,our business mainly focus on the distribution of electronic components. Line cards we deal with include Microchip,ALPS,ROHM,Xilinx,Pulse,ON,Everlight and Freescale. Main products comprise IC,Modules,Potentiometer,IC Socket,Relay,Connector.Our parts cover such applications as commercial,industrial, and automotives areas.

We are looking forward to setting up business relationship with you and hope to provide you with the best service and solution. Let us make a better world for our industry!



Contact us

Tel: +86-755-8981 8866 Fax: +86-755-8427 6832

Email & Skype: info@chipsmall.com Web: www.chipsmall.com

Address: A1208, Overseas Decoration Building, #122 Zhenhua RD., Futian, Shenzhen, China

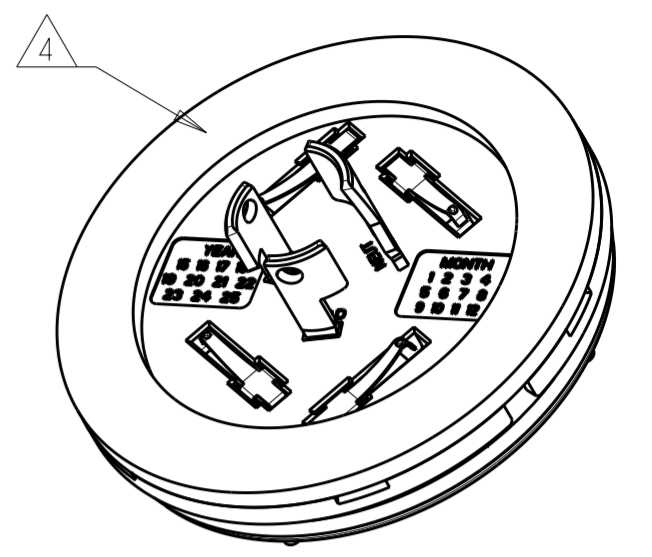
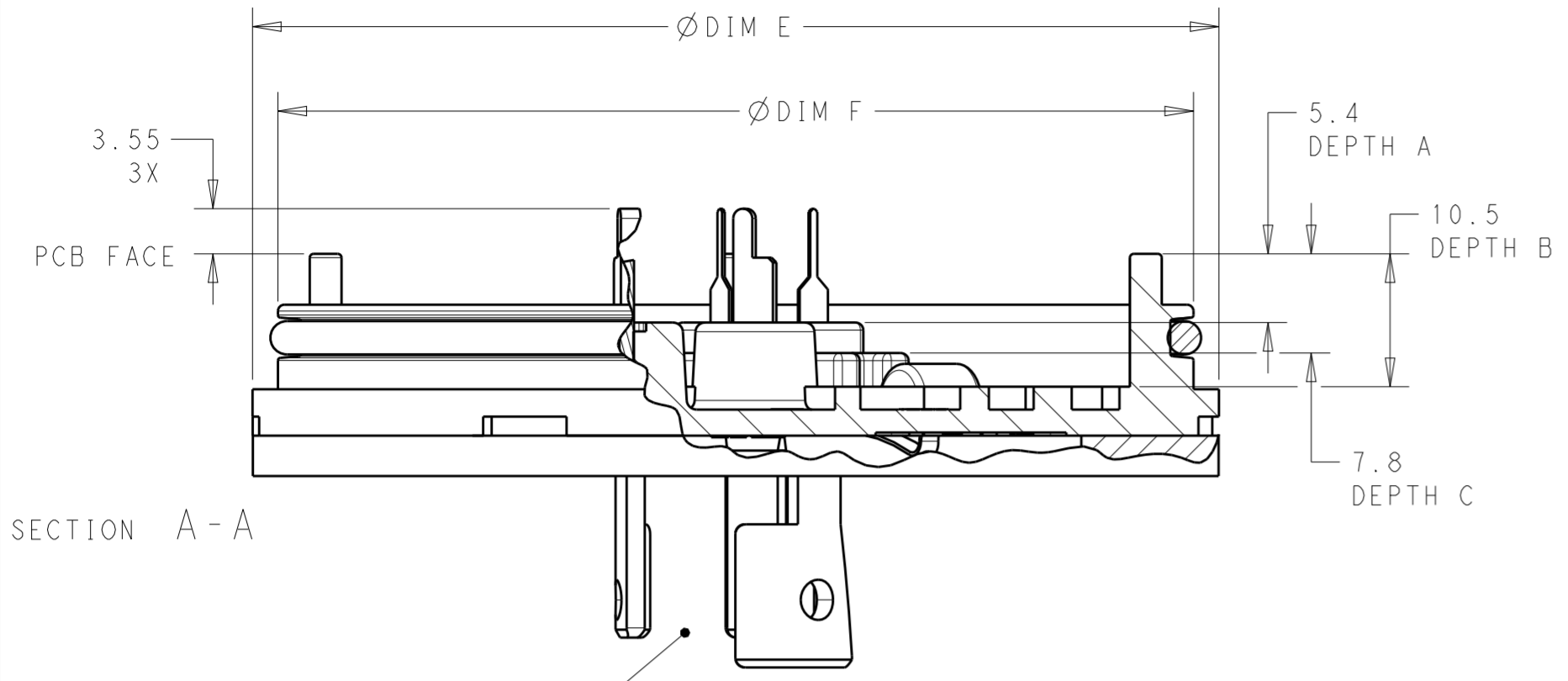


THIS DRAWING IS UNPUBLISHED. RELEASED FOR PUBLICATION 20
 © COPYRIGHT 20 BY - ALL RIGHTS RESERVED.

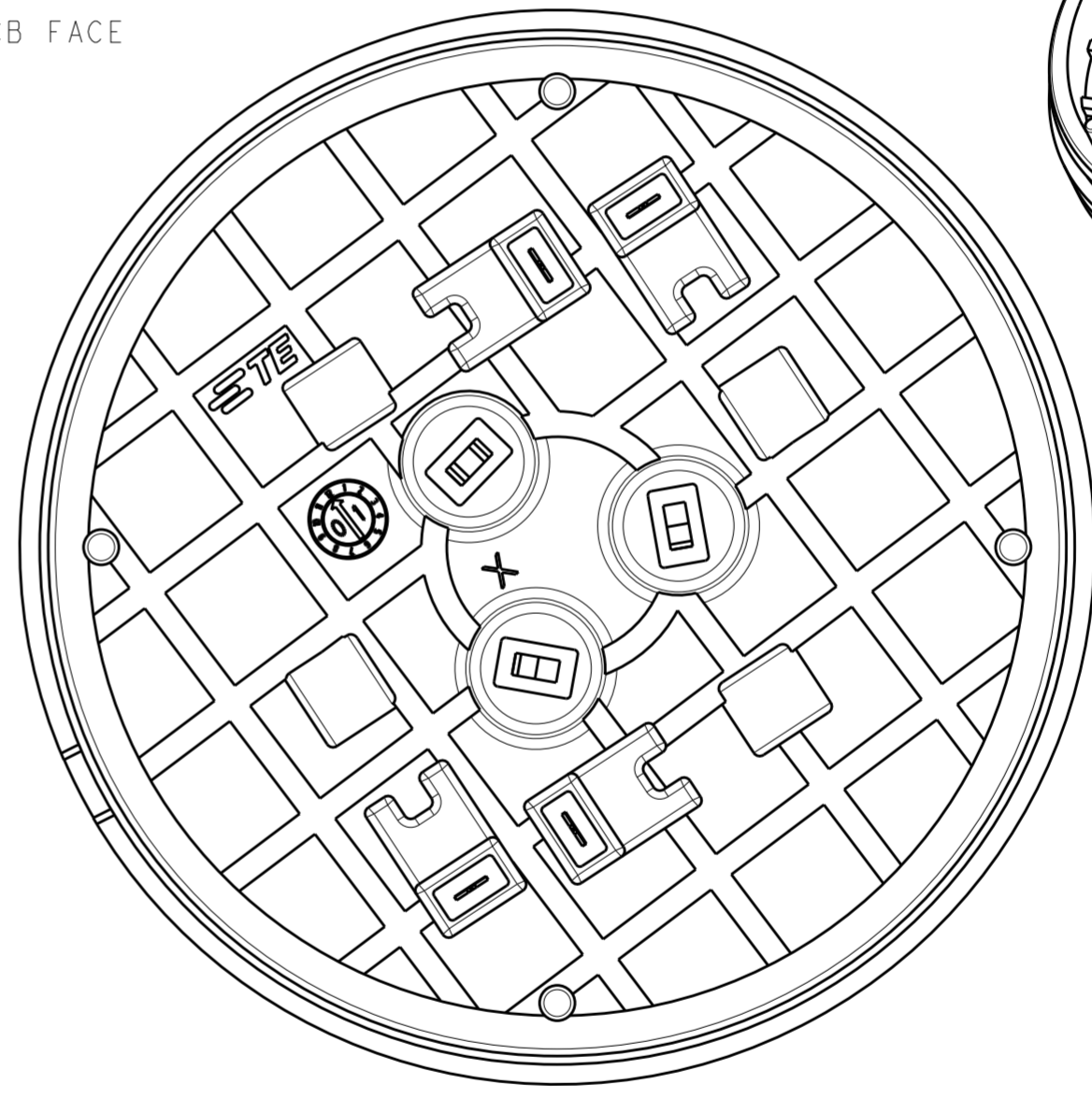
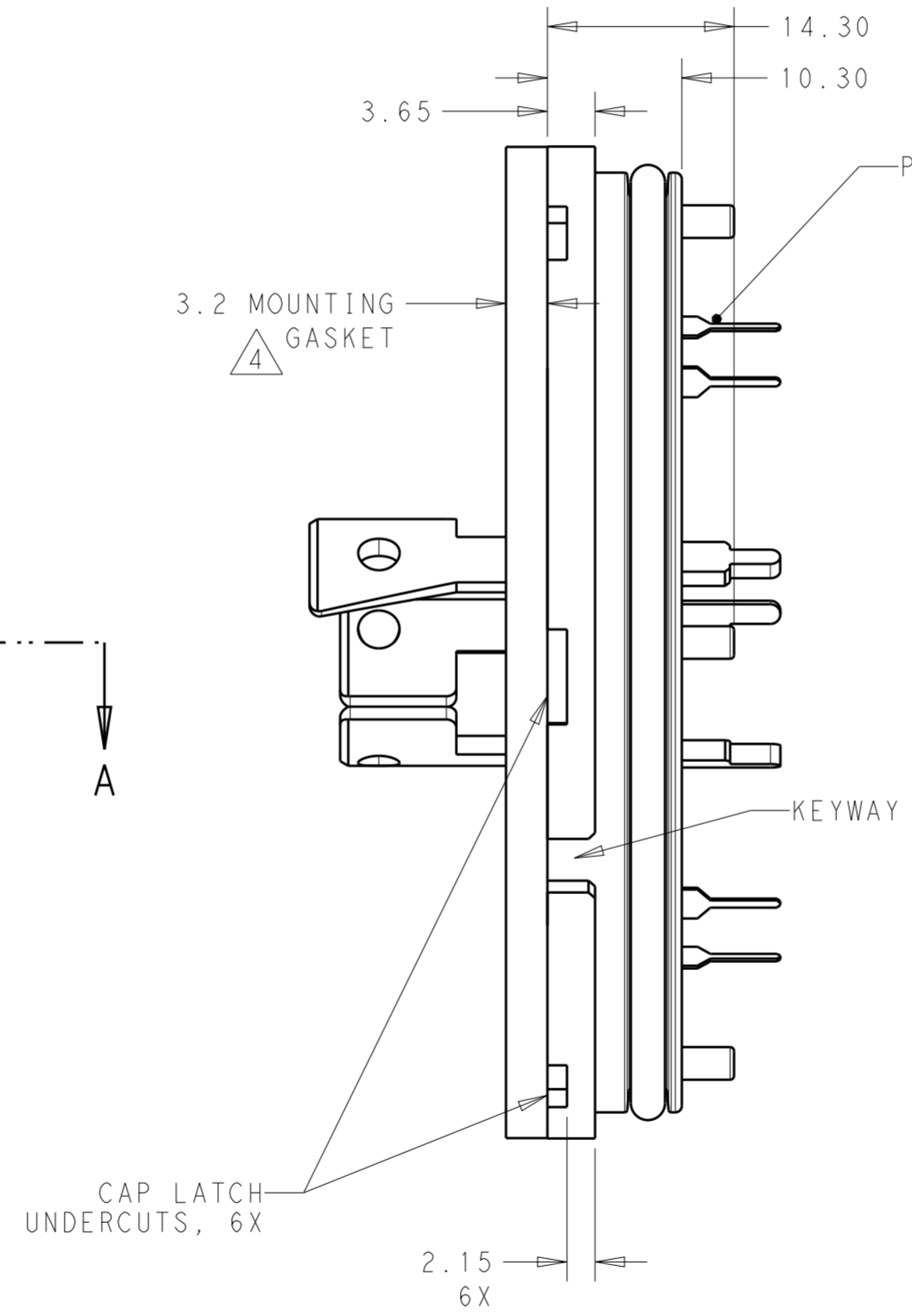
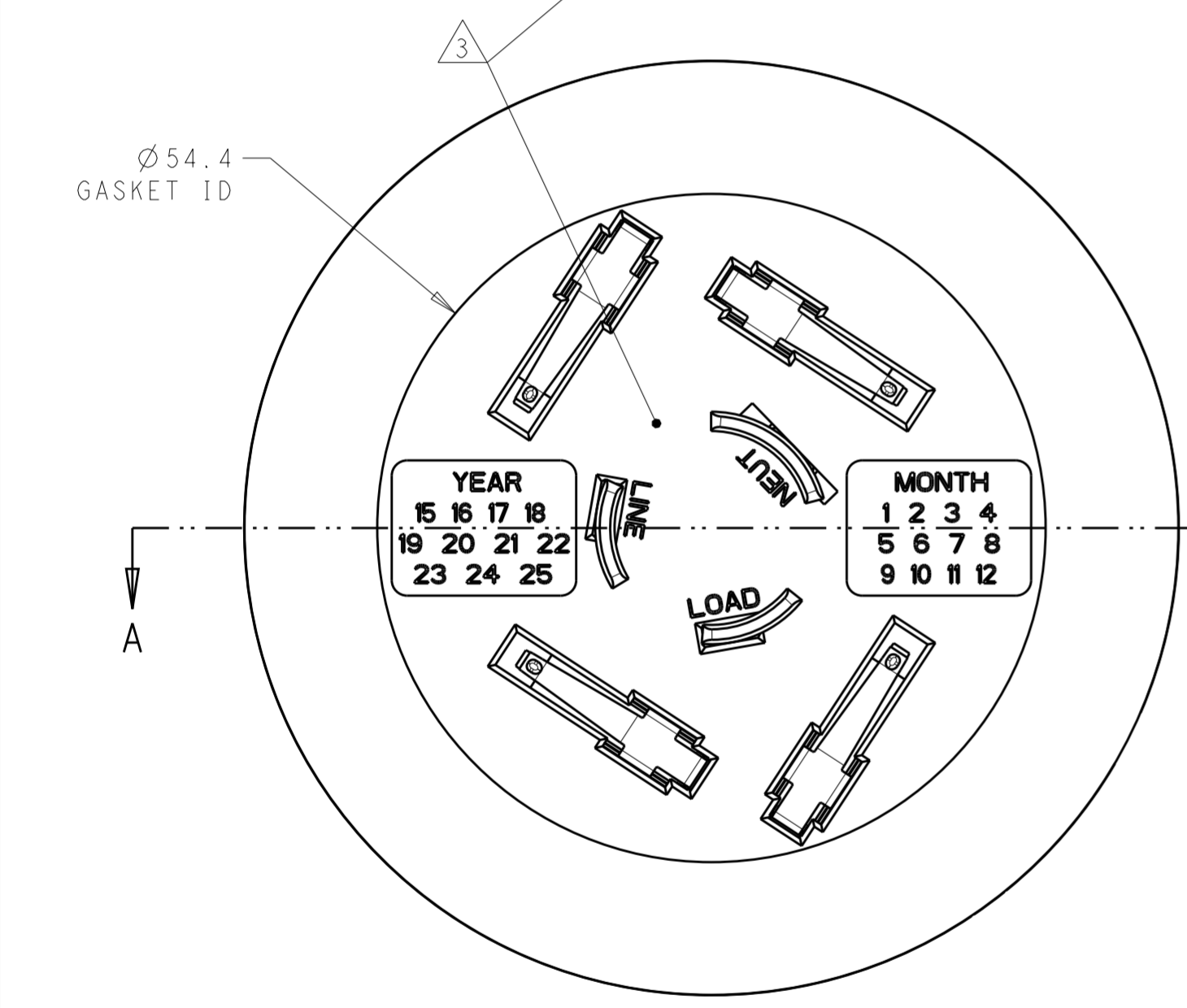
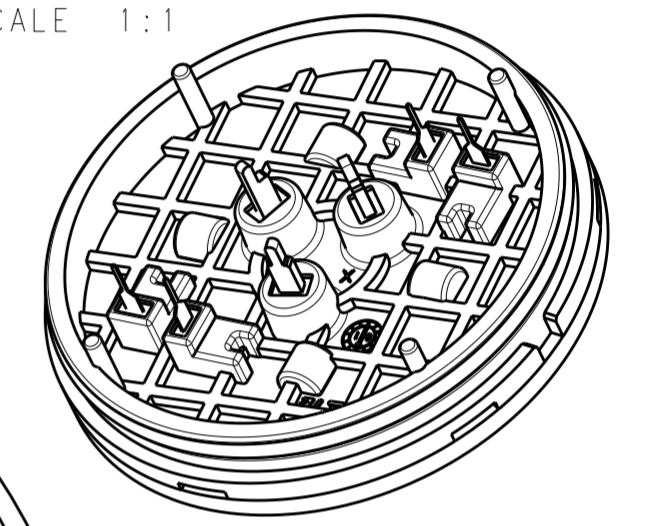
REVISONS		DATE	DWN	APVD
P	LTR	DESCRIPTION		
A1		REVISED PER ECR-16-008842	RS	DD
A2		REVISED PER ECR-16-010573	RS	DD
A3		REVISED PER ECR-16-012776	RS	PO
A4		REVISED PER ECR-16-016318	RS	PO

NOTES:

- 1 MATERIALS:
 HOUSING: PBT
 DIMMING CONTACTS (QTY. 4): COPPER ALLOY
 LINE VOLTAGE CONTACTS (QTY. 3): COPPER ALLOY
 GASKET: VINYL/NITRILE FOAM
 O-RING: SILICONE RUBBER
- 2 FINISH:
 DIMMING CONTACTS: NICKEL UNDERPLATE ENTIRE
 CONTACT 0.127 µm MIN THICK. SELECTIVE GOLD PLATE CONTACT
 MATING AREA (MATING FACE SIDE ONLY) 0.76 µm MIN THICK.
 MATTE TIN PLATE TAB ON BOTH SIDES 0.30 µm MIN THICK.
 LINE VOLTAGE CONTACTS: MATTE TIN PLATE
- 3 MATING INTERFACE PER ANSI C136.41-2013.
- 4 ADHESIVE BACKED GASKET SUPPLIED BUT NOT INSTALLED
- 5 MATING CAP TE P/N: 2213748-X
- 6 NOTE DELETED.
- 7. THIS PRODUCT HAS NOT COMPLETED VALIDATION TESTING.



SCALE 1:1



Ø77.00	Ø73.00	Ø66.00	Ø69.00	Ø72.00	Ø76.00	2213730-1
DIM Y	DIM X	DIM N	DIM M	DIM F	DIM E	PART NO.

THIS DRAWING IS A CONTROLLED DOCUMENT. DWN: C DAILY 28SEP2015
 CHK: E HOWARD 28SEP2015
 APVD: -

STE TE Connectivity

NAME: BASE ASSEMBLY, LIGHT CONTROLLER

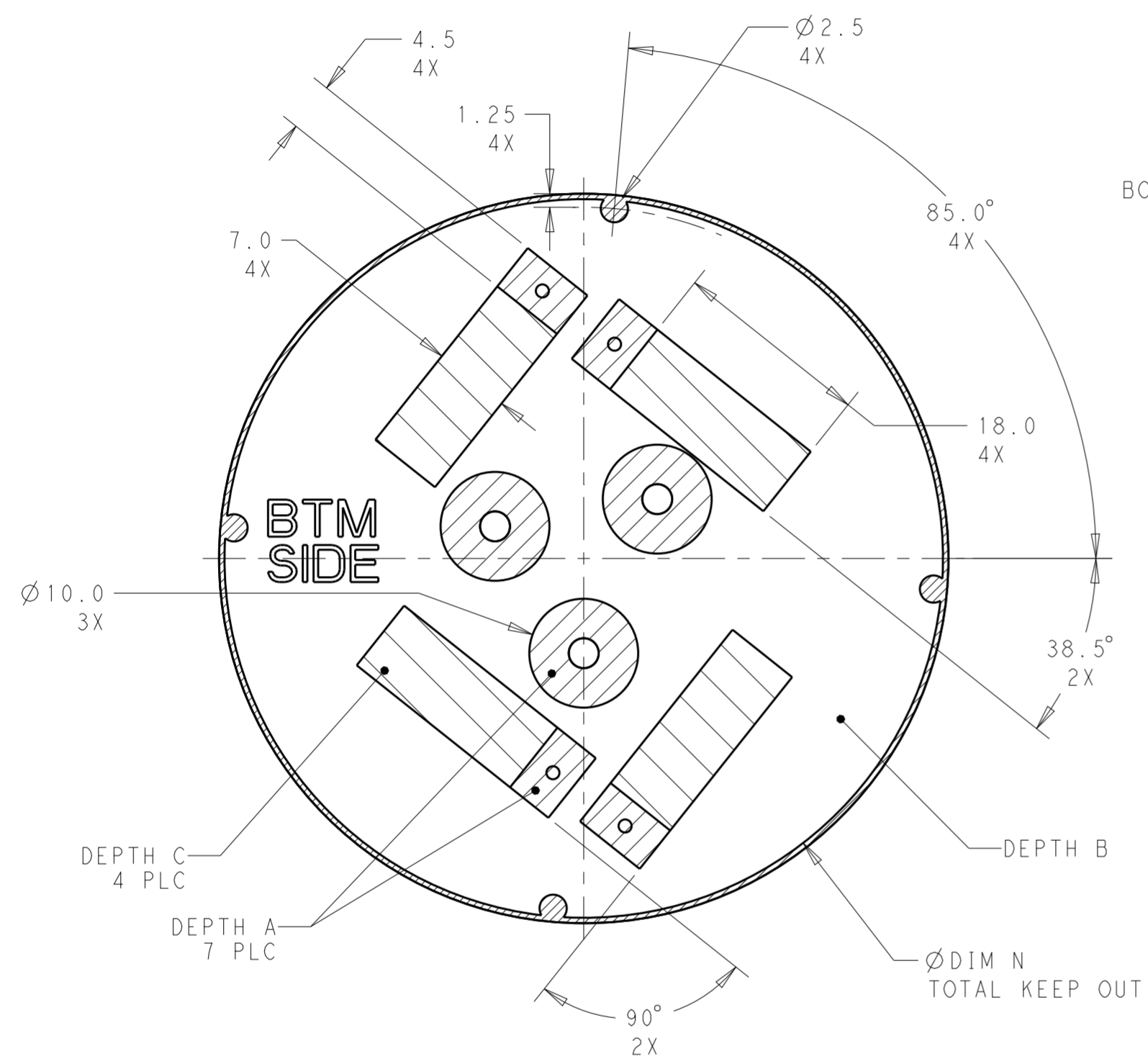
PRODUCT SPEC: 108-32125
 APPLICATION SPEC: 114-32159

MATERIAL: 1 - FINISH: 2 -

SIZE: A2 CAGE CODE: - DRAWING NO: C-2213730 RESTRICTED TO: -
 WEIGHT: -
 CUSTOMER DRAWING SCALE: 2:1 SHEET 1 OF 3 REV: A4

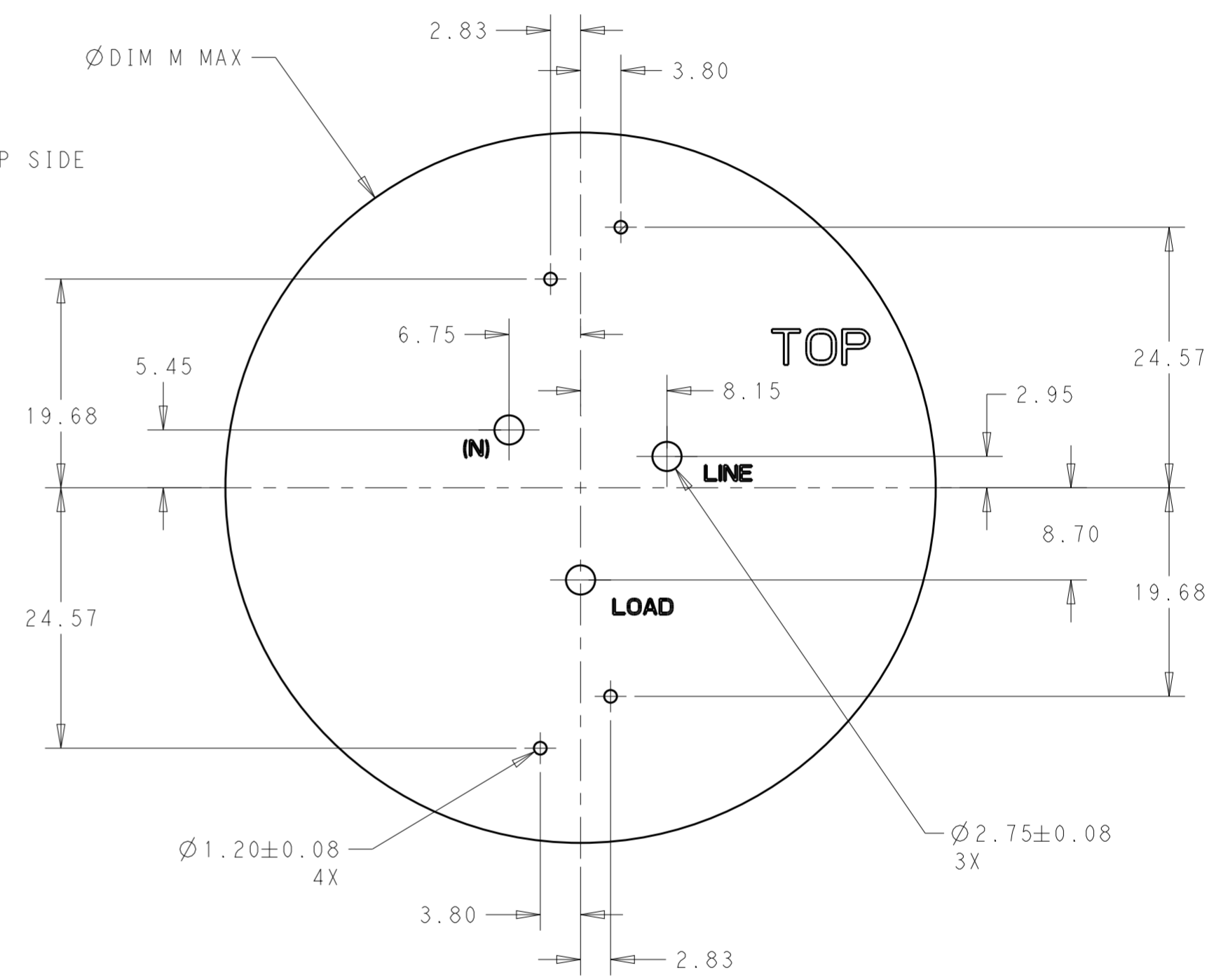
THIS DRAWING IS UNPUBLISHED. RELEASED FOR PUBLICATION 20
 © COPYRIGHT 20 BY - ALL RIGHTS RESERVED.

REVISIONS				
P	LTR	DESCRIPTION	DATE	APVD
-	-	SEE SHEET 1	-	-



COMPONENT KEEP OUT AREAS

BOTTOM SIDE TOP SIDE

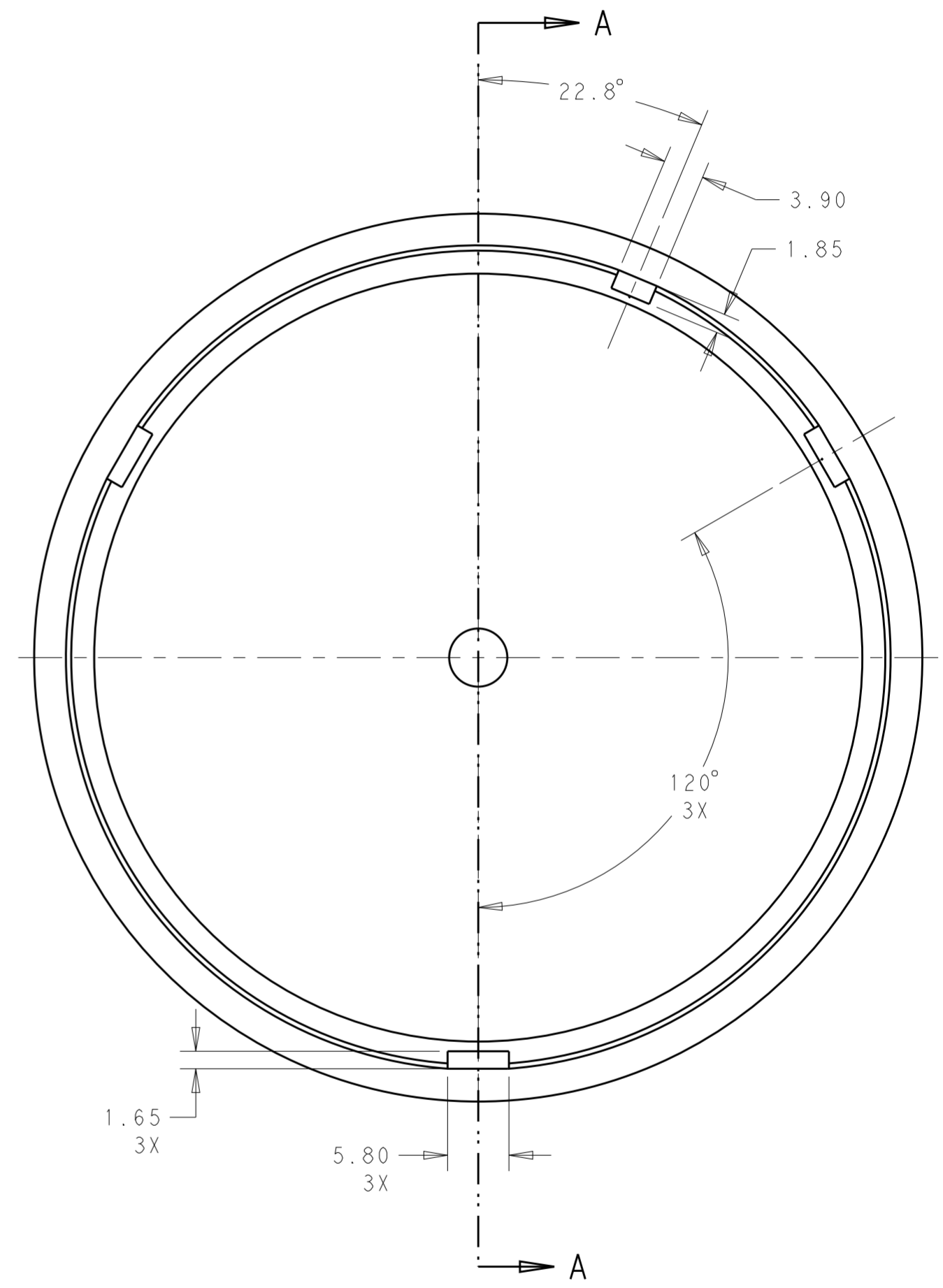
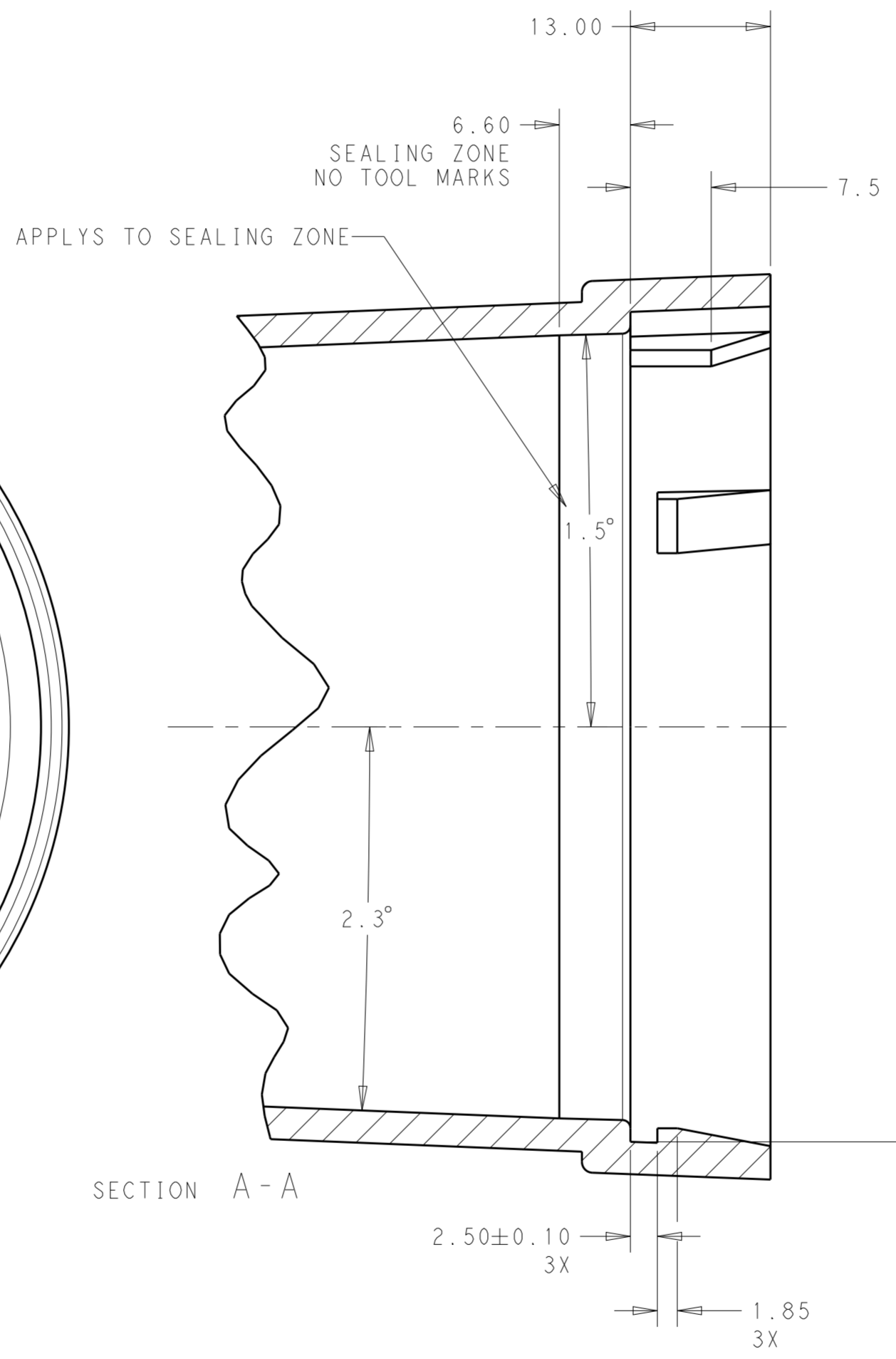
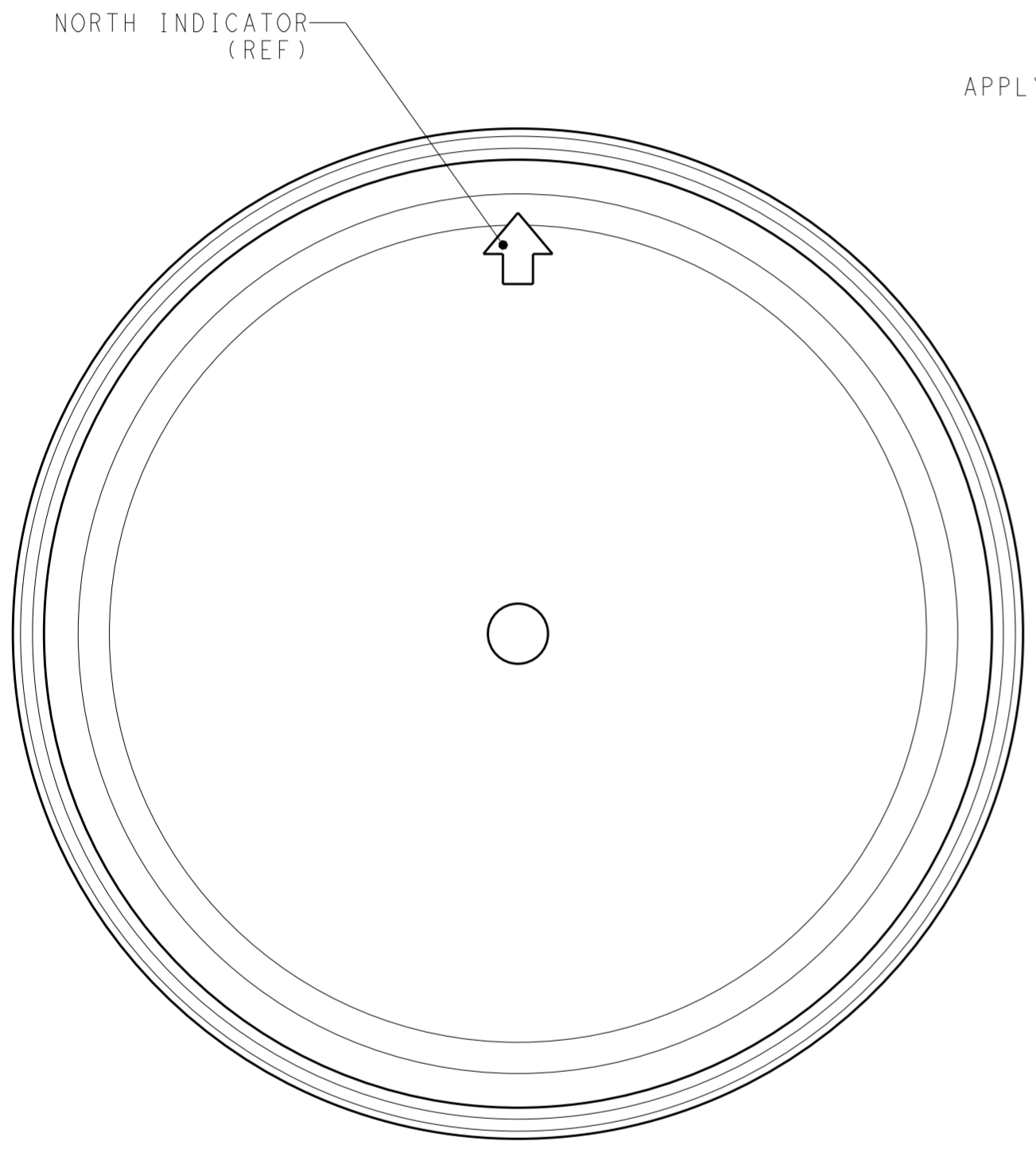


RECOMMENDED PCB SCALE 2:1

THIS DRAWING IS A CONTROLLED DOCUMENT.		DWN C. DAILY 28SEP2015	TE Connectivity	
		CHK E. HOWARD 28SEP2015		
DIMENSIONS: mm 		TOLERANCES UNLESS OTHERWISE SPECIFIED: 0 PLC ± 1 PLC ±0.2 2 PLC ±0.13 3 PLC ± 4 PLC ± ANGLES ±3° FINISH -		NAME BASE ASSEMBLY, LIGHT CONTROLLER
MATERIAL		PRODUCT SPEC 108-32125 APPLICATION SPEC 114-32159 WEIGHT -	SIZE A2	CAGE CODE - DRAWING NO C-2213730 RESTRICTED TO -
		CUSTOMER DRAWING	SCALE 1:1	SHEET 2 OF 3 REV A4

THIS DRAWING IS UNPUBLISHED. RELEASED FOR PUBLICATION 20
 © COPYRIGHT 20 BY - ALL RIGHTS RESERVED.

LOC		DIST		REVISIONS			
P	LTR	DESCRIPTION		DATE	DWN	APVD	
-	-	SEE SHEET 1		-	-	-	



MATING CAP DIMENSIONS 5

THIS DRAWING IS A CONTROLLED DOCUMENT.		DWN C. DAILY 28SEP2015	TE Connectivity	
		CHK E. HOWARD 28SEP2015		
DIMENSIONS:		APVD -		NAME BASE ASSEMBLY, LIGHT CONTROLLER
TOLERANCES UNLESS OTHERWISE SPECIFIED:		PRODUCT SPEC 108-32125		SIZE A2
mm	0 PLC ± 1 PLC ±0.2 2 PLC ±0.13 3 PLC ± 4 PLC ±	APPLICATION SPEC 114-32159		CAGE CODE -
MATERIAL	ANGLES ±3° FINISH -	WEIGHT -		DRAWING NO C-2213730
		CUSTOMER DRAWING		RESTRICTED TO -
		SCALE 2:1		SHEET 3 OF 3
				REV A4