



Chipsmall Limited consists of a professional team with an average of over 10 year of expertise in the distribution of electronic components. Based in Hongkong, we have already established firm and mutual-benefit business relationships with customers from,Europe,America and south Asia,supplying obsolete and hard-to-find components to meet their specific needs.

With the principle of “Quality Parts,Customers Priority,Honest Operation,and Considerate Service”,our business mainly focus on the distribution of electronic components. Line cards we deal with include Microchip,ALPS,ROHM,Xilinx,Pulse,ON,Everlight and Freescale. Main products comprise IC,Modules,Potentiometer,IC Socket,Relay,Connector.Our parts cover such applications as commercial,industrial, and automotives areas.

We are looking forward to setting up business relationship with you and hope to provide you with the best service and solution. Let us make a better world for our industry!



Contact us

Tel: +86-755-8981 8866 Fax: +86-755-8427 6832

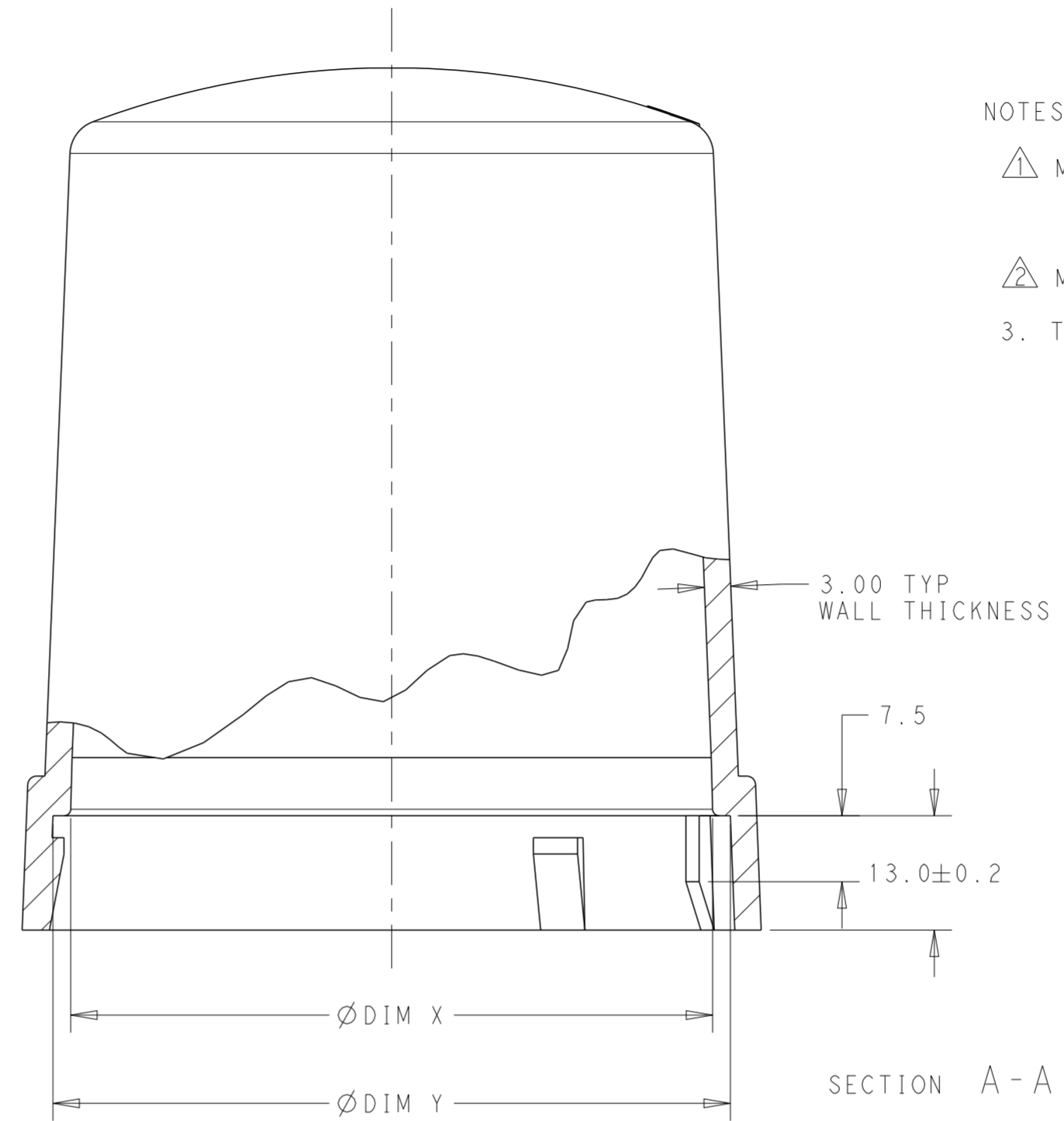
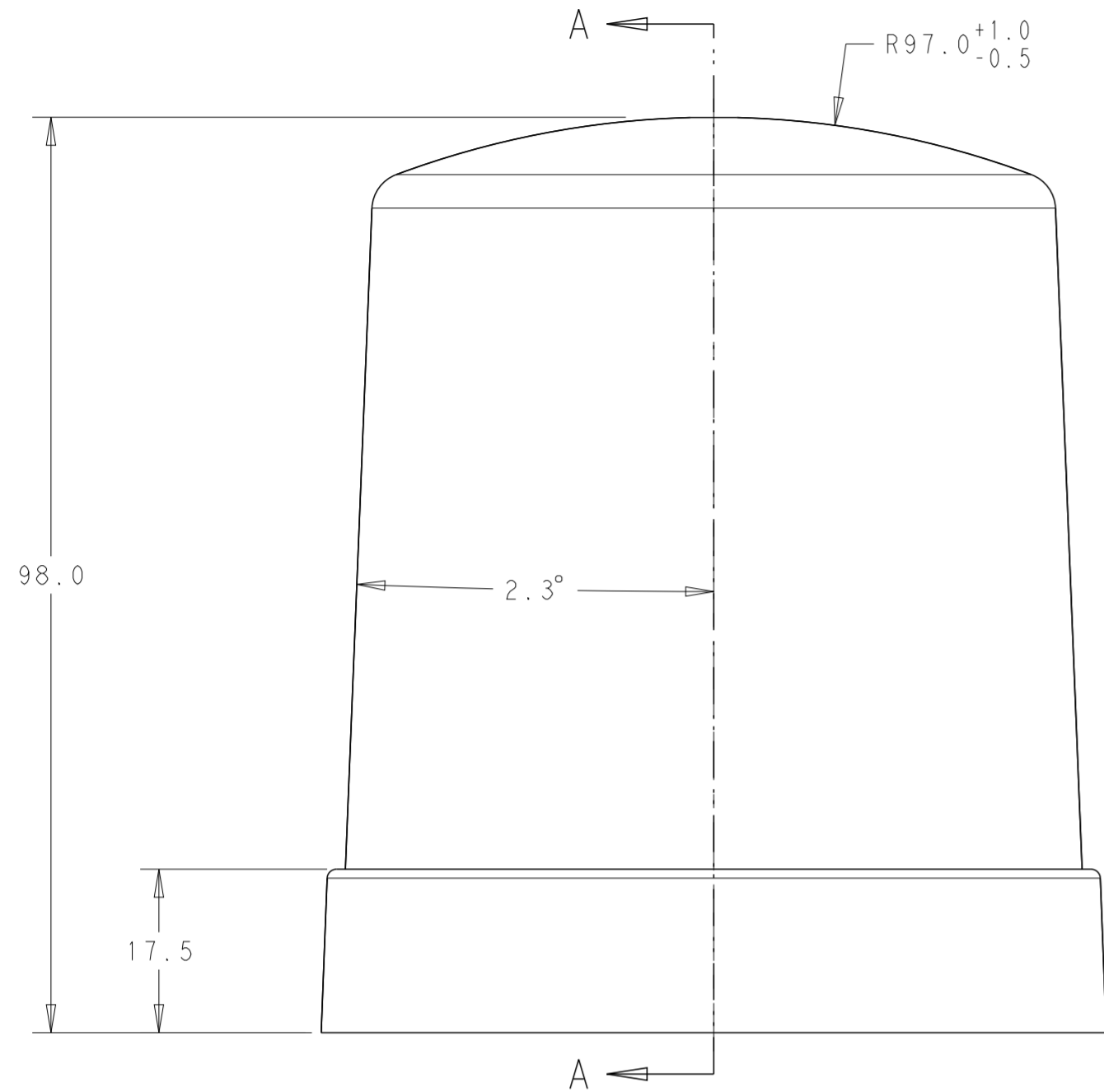
Email & Skype: info@chipsmall.com Web: www.chipsmall.com

Address: A1208, Overseas Decoration Building, #122 Zhenhua RD., Futian, Shenzhen, China



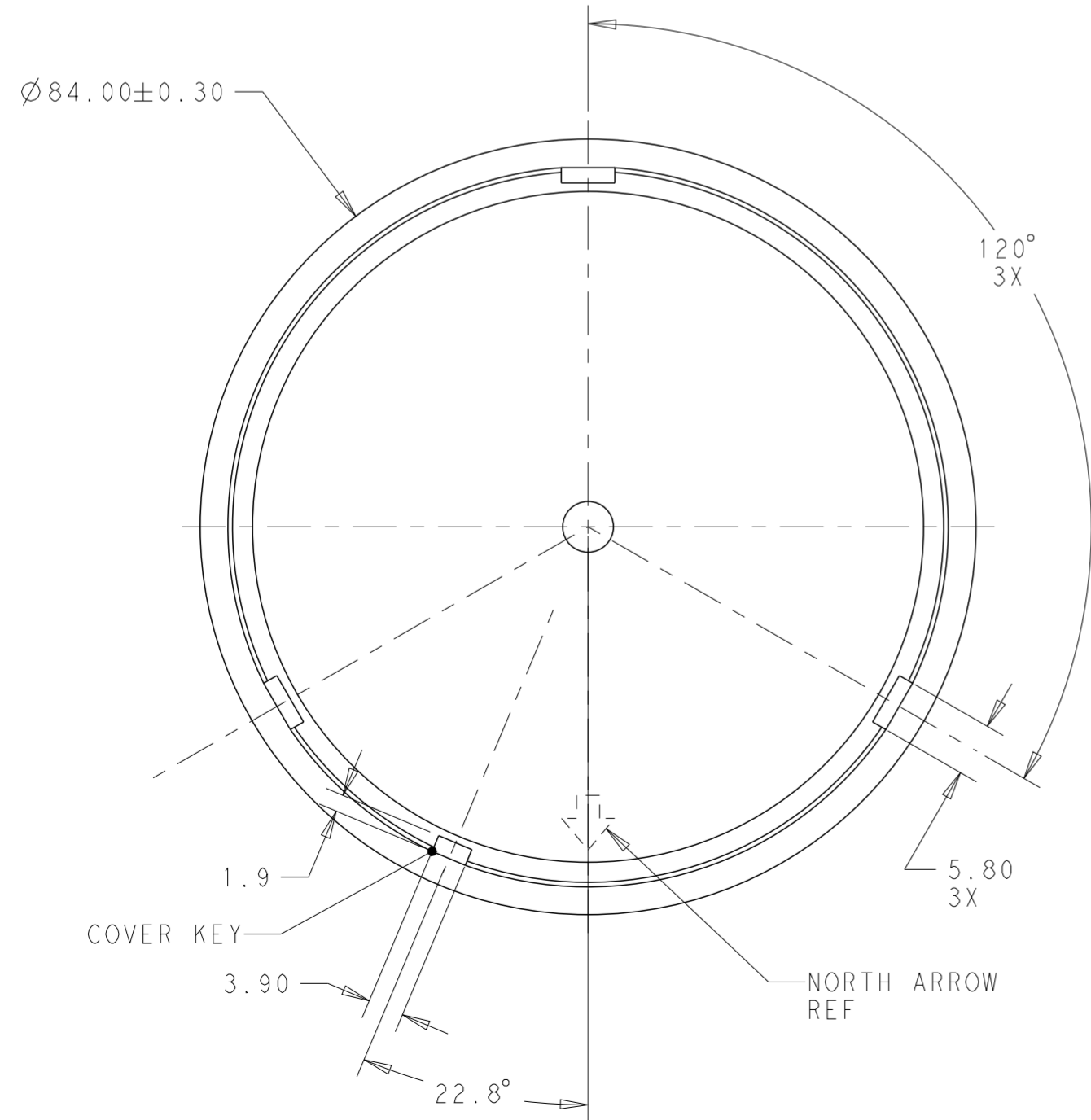
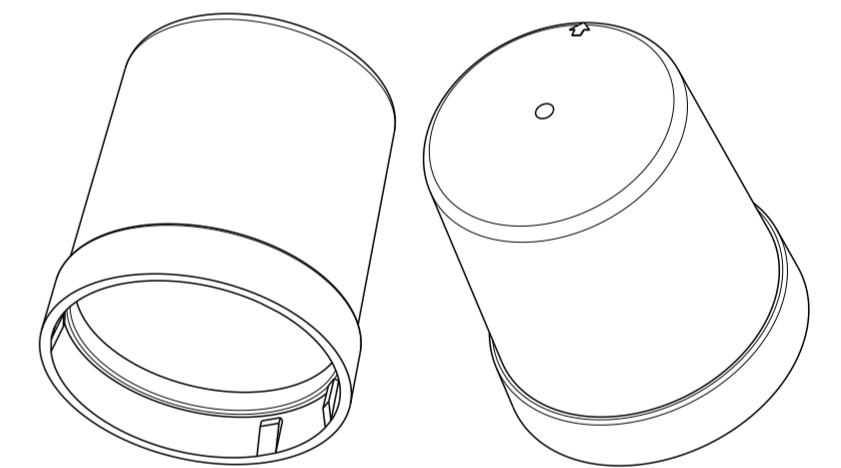
THIS DRAWING IS UNPUBLISHED. RELEASED FOR PUBLICATION 20
 © COPYRIGHT 20 BY - ALL RIGHTS RESERVED.

REVISIONS				
P	LTR	DESCRIPTION	DATE	APVD
A		REVISED PER ECR-16-006614	10MAY2016	RS DD
A1		REVISED PER ECR-16-008842	22JUN2016	RS DD
A2		REVISED PER ECR-16-012776	08SEP2016	RS PO



NOTES:

- 1 MATERIALS:
HOUSING: POLYCARBONATE, UV 5VA RATED
COLOR: SEE TABLE
- 2 MATING BASE TE P/N: 2213730-X
- 3. THIS PRODUCT HAS NOT COMPLETED VALIDATION TESTING.



78%	TRANSPARENT CLEAR	Ø 77.0	Ø 73.0	1-2213748-1
24%	TRANSLUCENT SMOKE	Ø 77.0	Ø 73.0	2213748-1
APPROX LIGHT TRANSMISSION	COLOR	DIM Y	DIM X	PART NO.
THIS DRAWING IS A CONTROLLED DOCUMENT.		DWN C DAILY 30OCT2015	STE TE Connectivity	
		CHK E HOWARD 30OCT2015		
DIMENSIONS: mm		TOLERANCES UNLESS OTHERWISE SPECIFIED:		NAME COVER, LIGHT CONTROLLER
0 PLC ±		1 PLC ±0.2		PRODUCT SPEC -
2 PLC ±0.13		3 PLC ±		APPLICATION SPEC -
4 PLC ±		ANGLES ±3°		SIZE A2
FINISH -		MATERIAL -		CAGE CODE -
		WEIGHT -		DRAWING NO G-2213748
		CUSTOMER DRAWING		RESTRICTED TO -
		SCALE 3:2		SHEET 1 OF 1 REV A2