



Chipsmall Limited consists of a professional team with an average of over 10 year of expertise in the distribution of electronic components. Based in Hongkong, we have already established firm and mutual-benefit business relationships with customers from,Europe,America and south Asia,supplying obsolete and hard-to-find components to meet their specific needs.

With the principle of “Quality Parts,Customers Priority,Honest Operation,and Considerate Service”,our business mainly focus on the distribution of electronic components. Line cards we deal with include Microchip,ALPS,ROHM,Xilinx,Pulse,ON,Everlight and Freescale. Main products comprise IC,Modules,Potentiometer,IC Socket,Relay,Connector.Our parts cover such applications as commercial,industrial, and automotives areas.

We are looking forward to setting up business relationship with you and hope to provide you with the best service and solution. Let us make a better world for our industry!



Contact us

Tel: +86-755-8981 8866 Fax: +86-755-8427 6832

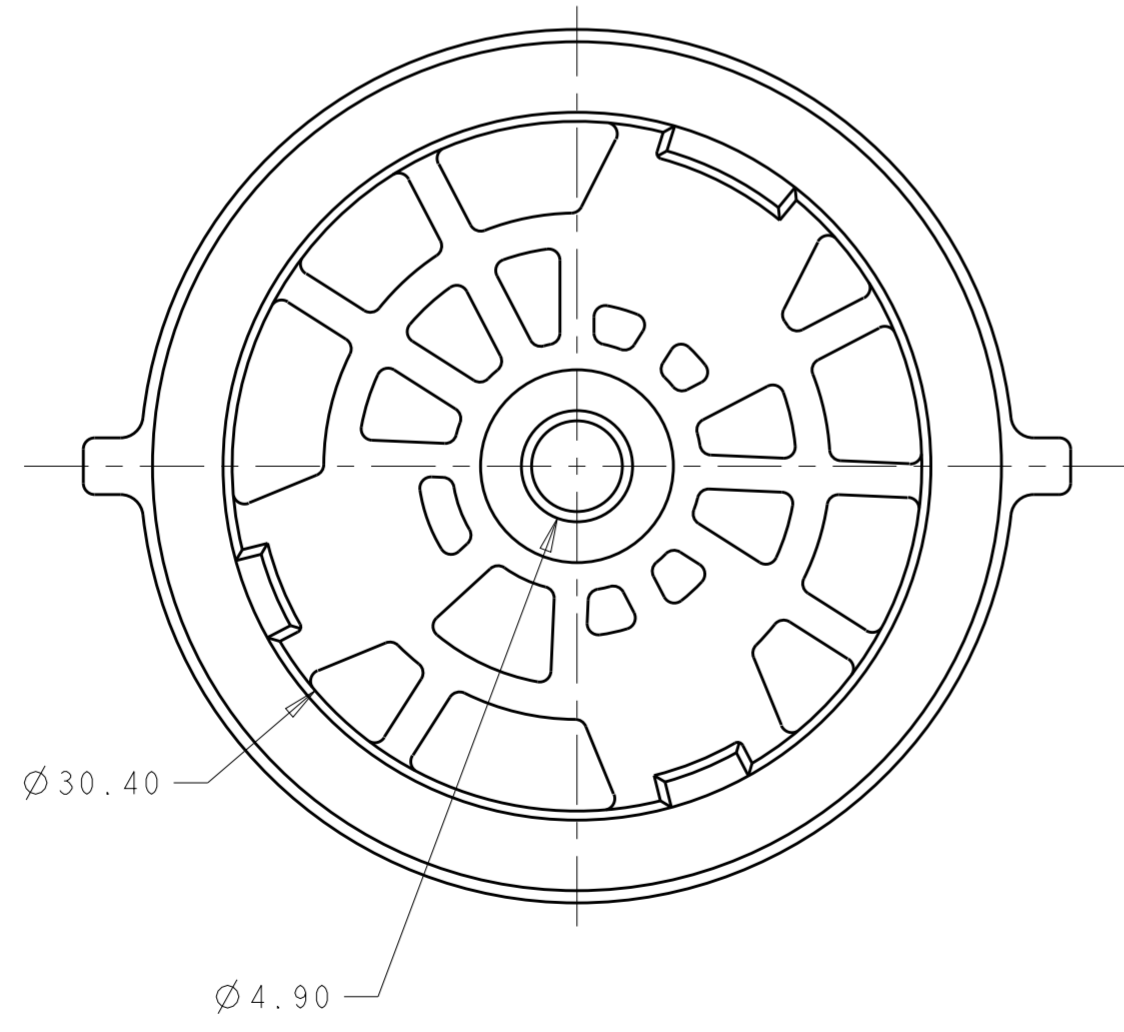
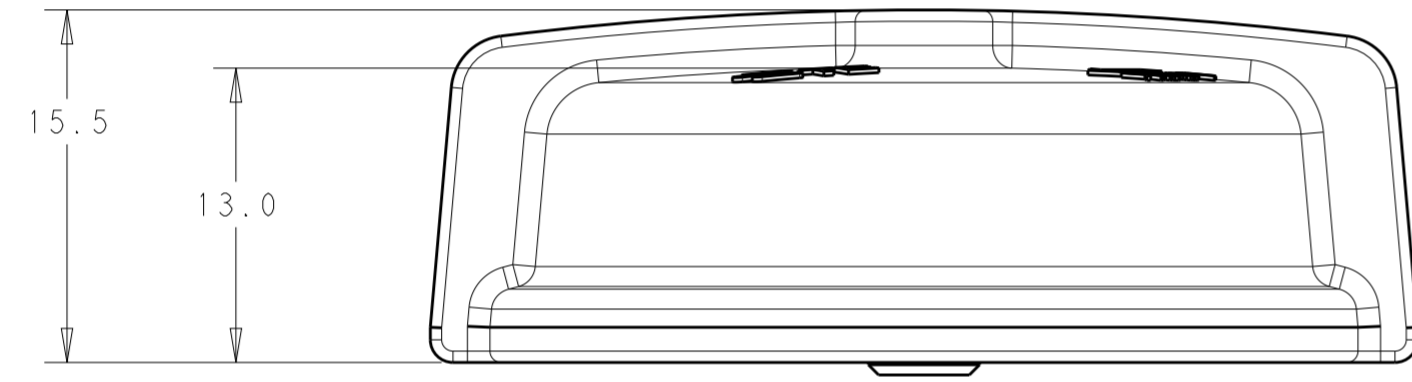
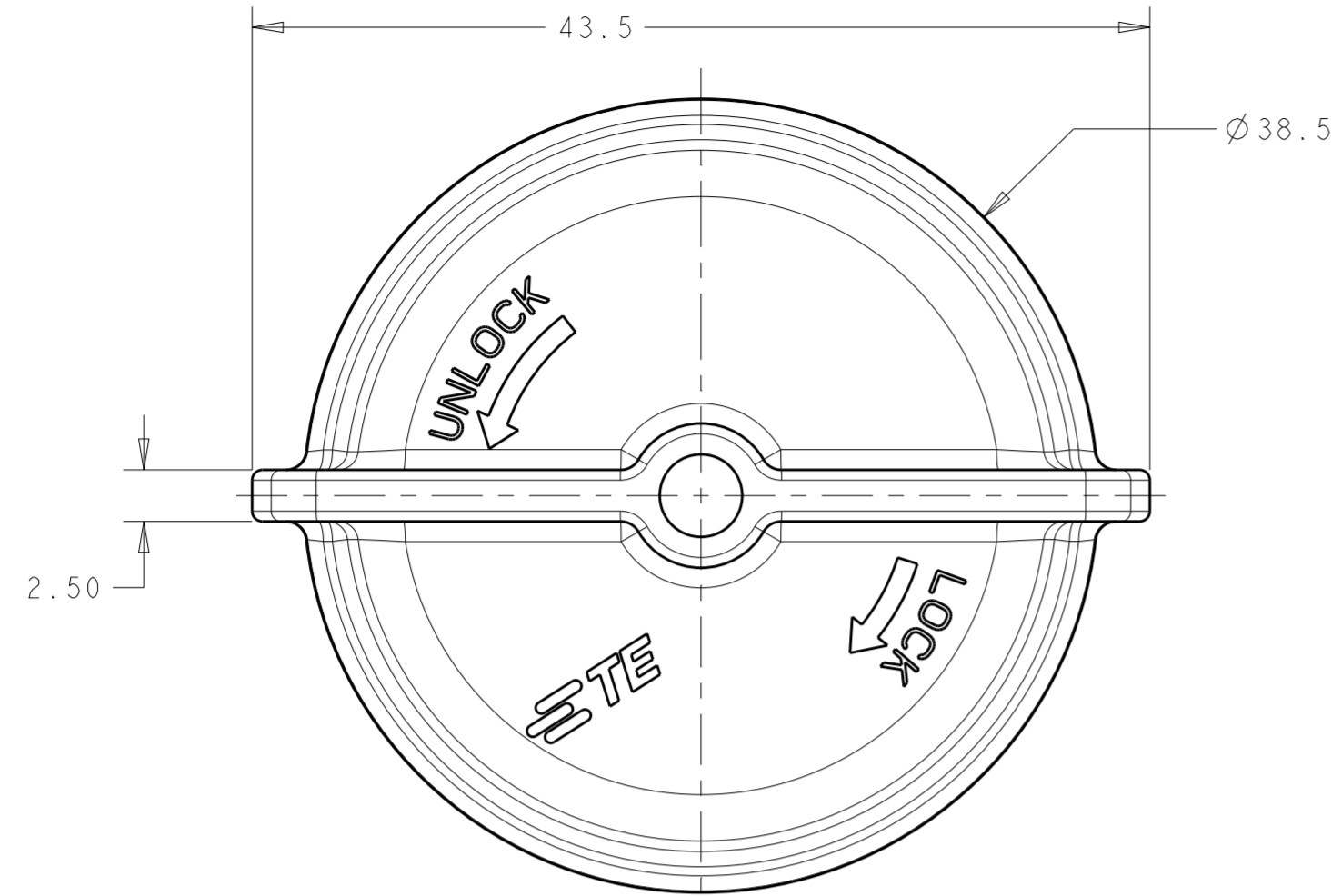
Email & Skype: info@chipsmall.com Web: www.chipsmall.com

Address: A1208, Overseas Decoration Building, #122 Zhenhua RD., Futian, Shenzhen, China



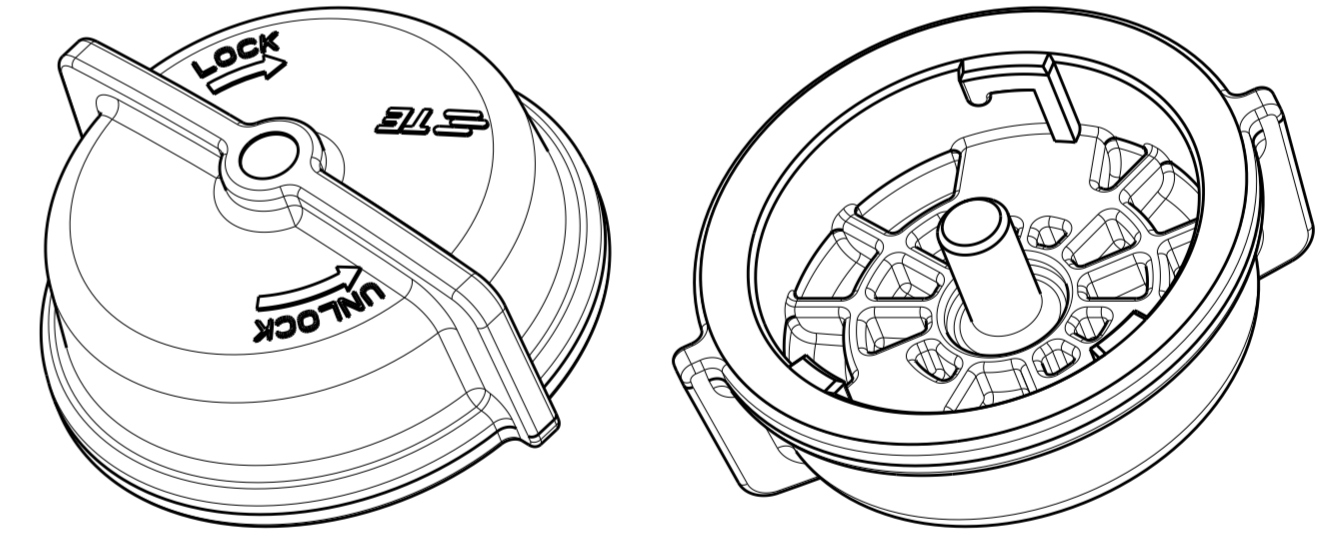
THIS DRAWING IS UNPUBLISHED. RELEASED FOR PUBLICATION
 © COPYRIGHT copyright.d8te- ALL RIGHTS RESERVED.

REVISIONS				
P	LTR	DESCRIPTION	DATE	APVD
5		REMOVE PRELIM NOTE	10AUG2017	MM MM



NOTES:

- 1 MATERIALS AND FINISH:
-SEALING CAP: PBT, COLOR: SEE TABLE
- 2. MUST COMPLY WITH DIRECTIVE 2002/95/EC (ROHS)



LIGHT GRAY	2213795-2
DARK GRAY	2213795-1
COLOR	PART NO.

THIS DRAWING IS A CONTROLLED DOCUMENT.		DWN C. DAILY 04APR2016	TE Connectivity	
		CHK E. HOWARD 04APR2016		
DIMENSIONS:		APVD -	NAME SEALING CAP, LUMAWISE ENDURANCE S RECEPTACLE	
TOLERANCES UNLESS OTHERWISE SPECIFIED:		PRODUCT SPEC 108-133073	RESTRICTED TO	
mm		APPLICATION SPEC 114-133074	SIZE A2	CAGE CODE -
0 PLC ±		WEIGHT -	DRAWING NO C-2213795	SCALE 5:1
1 PLC ±0.2		CUSTOMER DRAWING	SHEET 1	OF 1
2 PLC ±0.15			REV 5	
3 PLC ±				
4 PLC ±				
ANGLES ±2				
FINISH				