



Chipsmall Limited consists of a professional team with an average of over 10 year of expertise in the distribution of electronic components. Based in Hongkong, we have already established firm and mutual-benefit business relationships with customers from,Europe,America and south Asia,supplying obsolete and hard-to-find components to meet their specific needs.

With the principle of “Quality Parts,Customers Priority,Honest Operation,and Considerate Service”,our business mainly focus on the distribution of electronic components. Line cards we deal with include Microchip,ALPS,ROHM,Xilinx,Pulse,ON,Everlight and Freescale. Main products comprise IC,Modules,Potentiometer,IC Socket,Relay,Connector.Our parts cover such applications as commercial,industrial, and automotives areas.

We are looking forward to setting up business relationship with you and hope to provide you with the best service and solution. Let us make a better world for our industry!



## Contact us

Tel: +86-755-8981 8866 Fax: +86-755-8427 6832

Email & Skype: info@chipsmall.com Web: www.chipsmall.com

Address: A1208, Overseas Decoration Building, #122 Zhenhua RD., Futian, Shenzhen, China



THIS DRAWING IS UNPUBLISHED.

RELEASED FOR PUBLICATION

© COPYRIGHT - new logo 2011

ALL RIGHTS RESERVED.

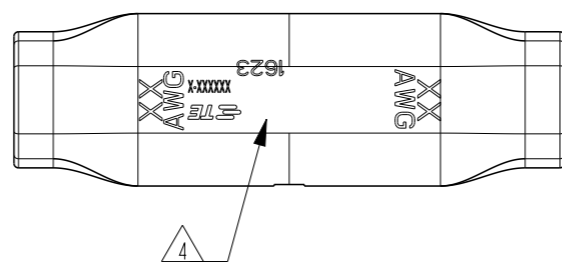
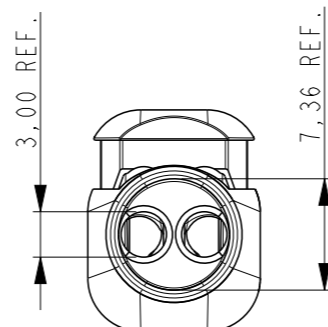
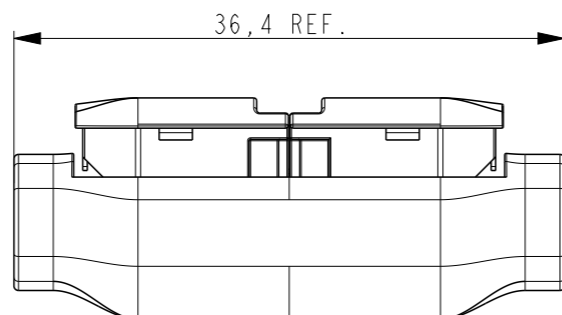
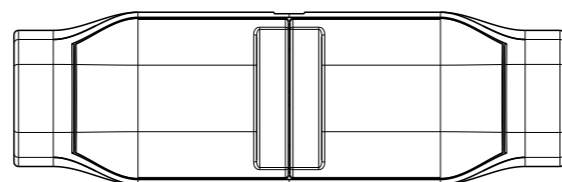
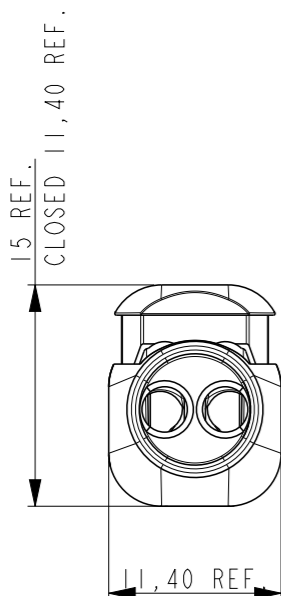
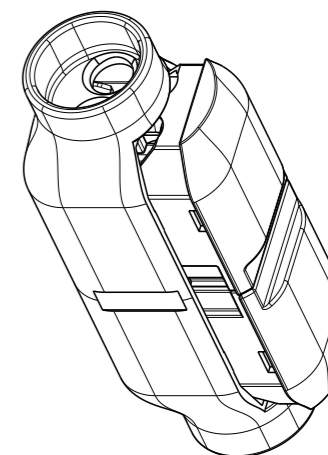
LOC H DIST -

REVISIONS

P	LTR	DESCRIPTION	DATE	DWN	APVD
	A	ECR-16-015010	24OCT2016	KR	MvE

NOTES:

- 1 CONNECTOR ACCEPTS MULTIPLE WIRES SIZES: SEE TABLE.
- 2 HOUSING AND BUTTON MATERIAL : POLYCARBONATE
- 3 IDC CONTACT MATERIAL: PhBR
- 4 PRINTING LOGO'S: KEMA, PARTNUMBER, TE, DATE CODE, WIRE SIZE, IP CLASS.
- 5 WIRE INSULATION DIAMETER RANGE IS FROM 1.75 TO 2.85 mm



BUTTON COLOR	HOUSING COLOR	PARTNUMBER	DESCRIPTION	CABLE SIZE
BLUE	CLEAR	2213800-4	SPLICING CONNECTOR SEALED	AWG 20 (0.52mm <sup>2</sup> ) / AWG 22 (0.33mm <sup>2</sup> )
GREEN		2213800-3	SPLICING CONNECTOR UNSEALED	AWG 20 (0.52mm <sup>2</sup> ) / AWG 22 (0.33mm <sup>2</sup> )
BLUE		2213800-2	SPLICING CONNECTOR SEALED	AWG 18 (0.82mm <sup>2</sup> ) TO 0.75mm <sup>2</sup>
GREEN		2213800-1	SPLICING CONNECTOR UNSEALED	AWG 18 (0.82mm <sup>2</sup> ) TO 0.75mm <sup>2</sup>

THIS DRAWING IS A CONTROLLED DOCUMENT.		DWN 22DEC2015 RAGHAVENDRA.K	 TE Connectivity					
DIMENSIONS: mm		CHK 22DEC2015 M.V.ESSEN			NAME N. S. COOLSPLICE			
TOLERANCES UNLESS OTHERWISE SPECIFIED:		APVD 22DEC2015 O.L.F.J.NSE						
0 PLC ± 1 PLC ±0.2 2 PLC ±0.15 3 PLC ± 4 PLC ± ANGLES ±3° FINISH		PRODUCT SPEC 108-133061			RESTRICTED TO			
MATERIAL SEE NOTES	FINISH SEE NOTES	APPLICATION SPEC 114-133061	SIZE A3	CAGE CODE 00779	DRAWING NO C-2213800	SCALE 2:1	SHEET 1 OF 1	REV A
		WEIGHT -	CUSTOMER DRAWING					