



Chipsmall Limited consists of a professional team with an average of over 10 year of expertise in the distribution of electronic components. Based in Hongkong, we have already established firm and mutual-benefit business relationships with customers from,Europe,America and south Asia,supplying obsolete and hard-to-find components to meet their specific needs.

With the principle of “Quality Parts,Customers Priority,Honest Operation,and Considerate Service”,our business mainly focus on the distribution of electronic components. Line cards we deal with include Microchip,ALPS,ROHM,Xilinx,Pulse,ON,Everlight and Freescale. Main products comprise IC,Modules,Potentiometer,IC Socket,Relay,Connector.Our parts cover such applications as commercial,industrial, and automotives areas.

We are looking forward to setting up business relationship with you and hope to provide you with the best service and solution. Let us make a better world for our industry!



Contact us

Tel: +86-755-8981 8866 Fax: +86-755-8427 6832

Email & Skype: info@chipsmall.com Web: www.chipsmall.com

Address: A1208, Overseas Decoration Building, #122 Zhenhua RD., Futian, Shenzhen, China

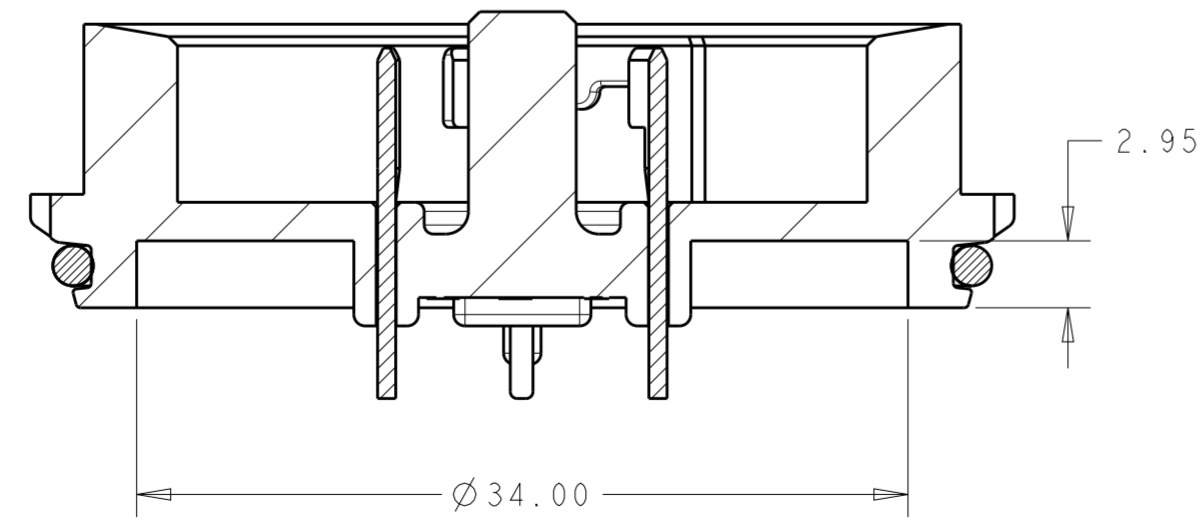
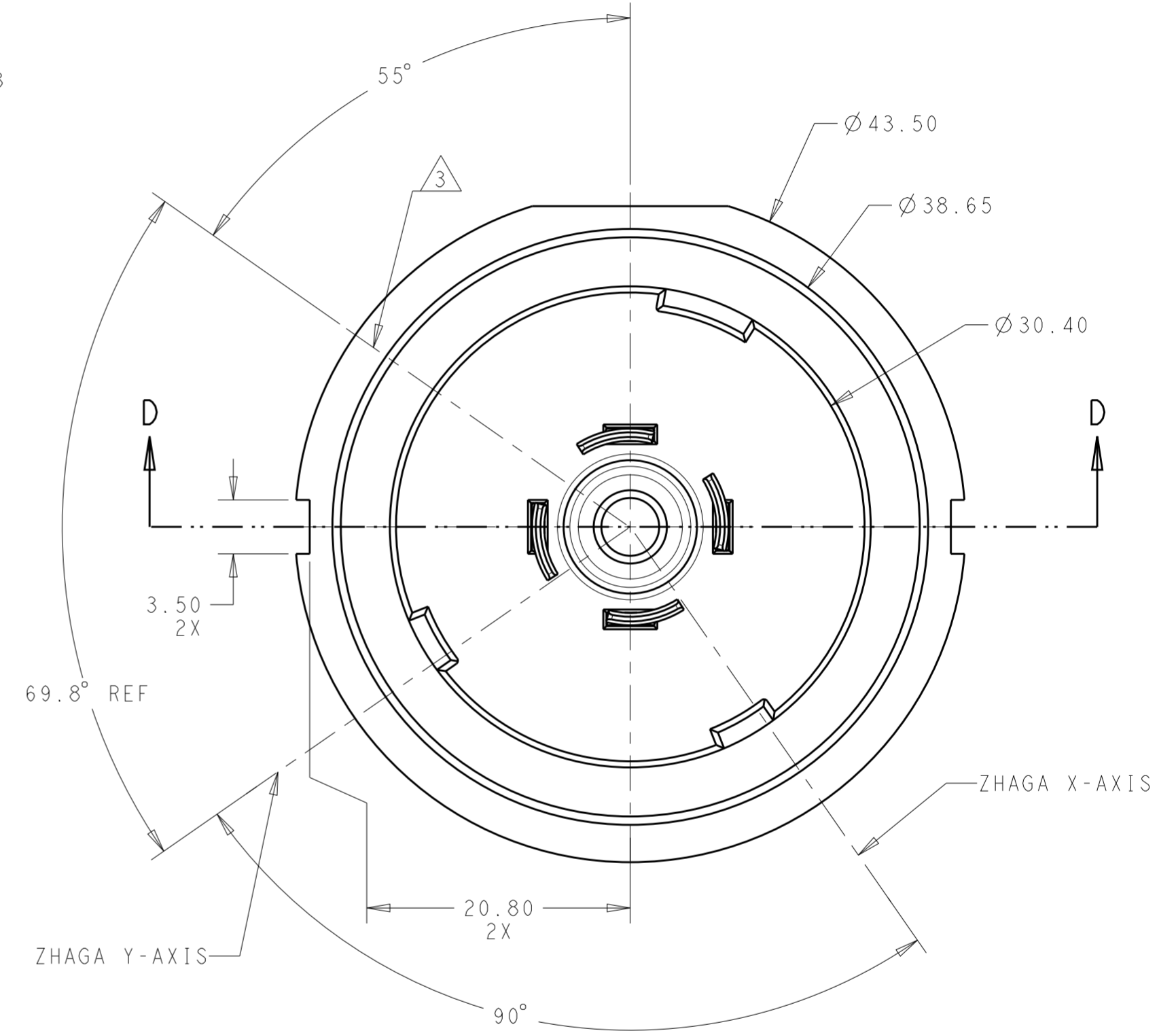
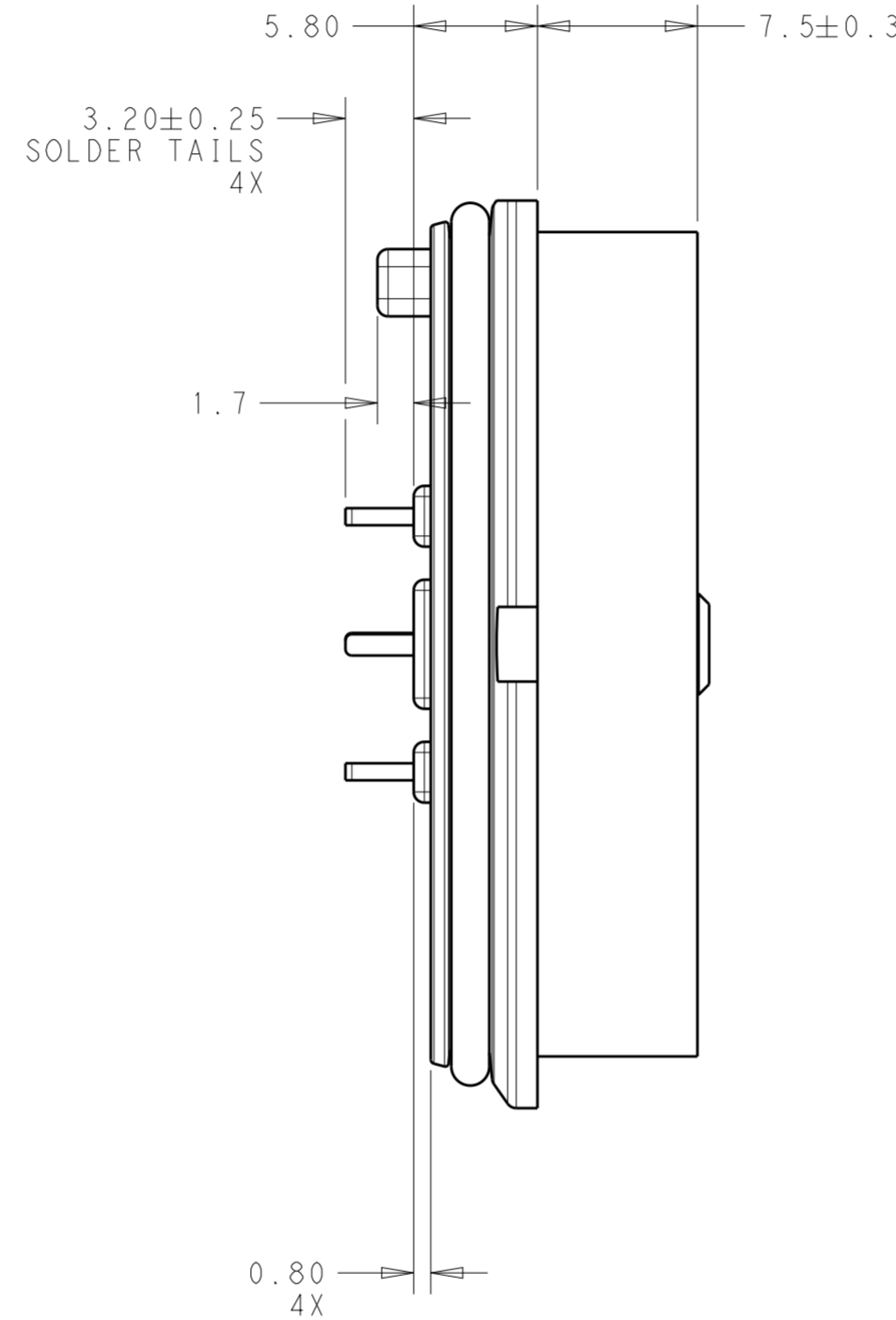
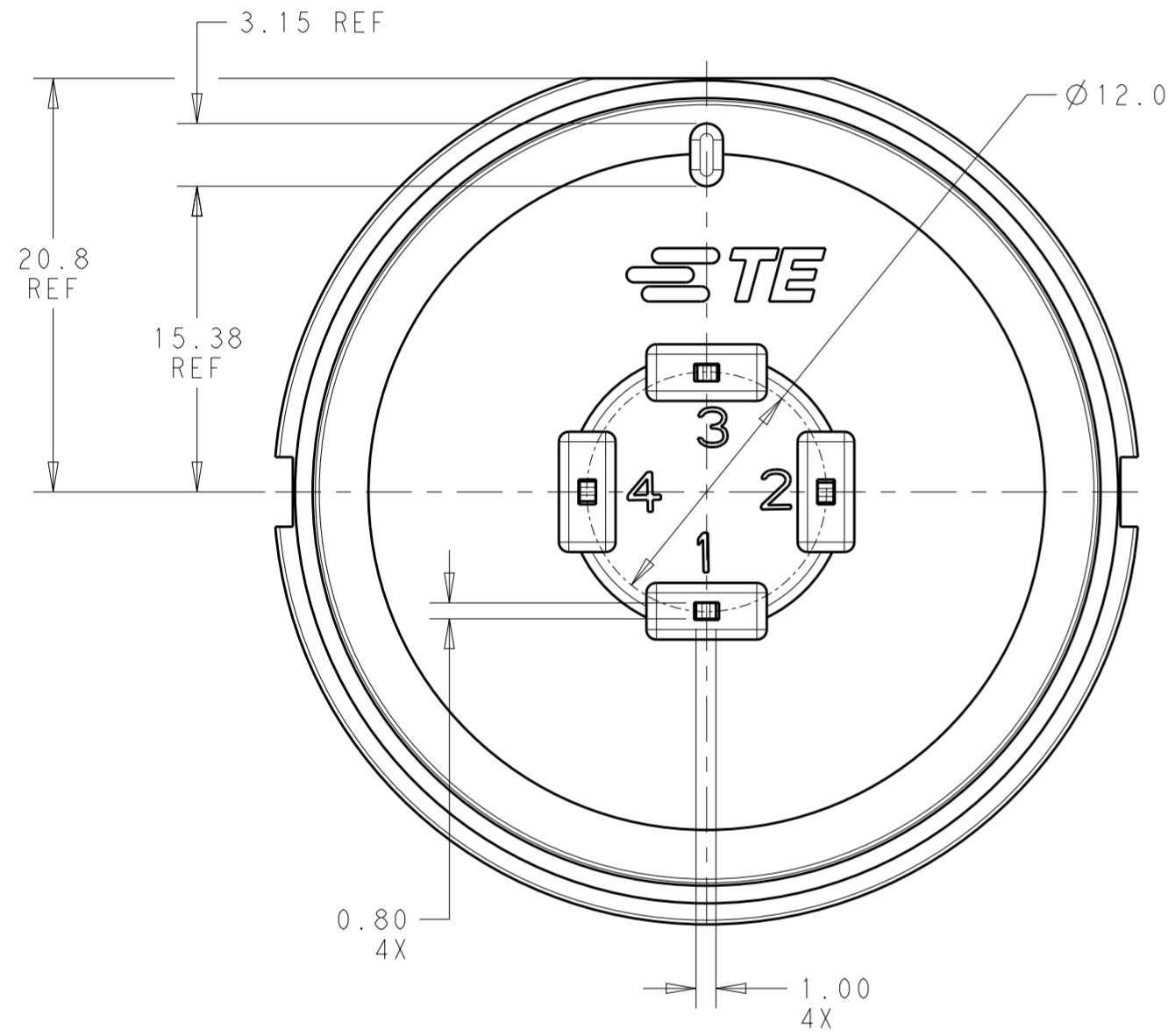


THIS DRAWING IS UNPUBLISHED. RELEASED FOR PUBLICATION 20
 © COPYRIGHT 20 BY - ALL RIGHTS RESERVED.

REVISIONS				
P	LTR	DESCRIPTION	DATE	APVD
7		REMOVE PRELIM NOTE	10AUG2017	MM MM
8		ADD DIMENSIONS	03JUL2018	JS EH

NOTES:

- 1 MATERIALS AND FINISH:
 -MODULE HOUSING: PBT, COLOR: GREY
 -CONTACTS: BRASS, FINISH: Sn OVER Ni
 -O-RING: SILICON RUBBER, COLOR: BLACK
- 2. MUST COMPLY WITH DIRECTIVE 2002/95/EC (ROHS)
- 3 LOCATION OF FLAT ON RECEPTACLE (TE P/N 2213858-1)
 THREAD SECTION IN FULL MATED POSITION
- 4. COMPATIBLE DOME IS 2329013-X.



SECTION D-D

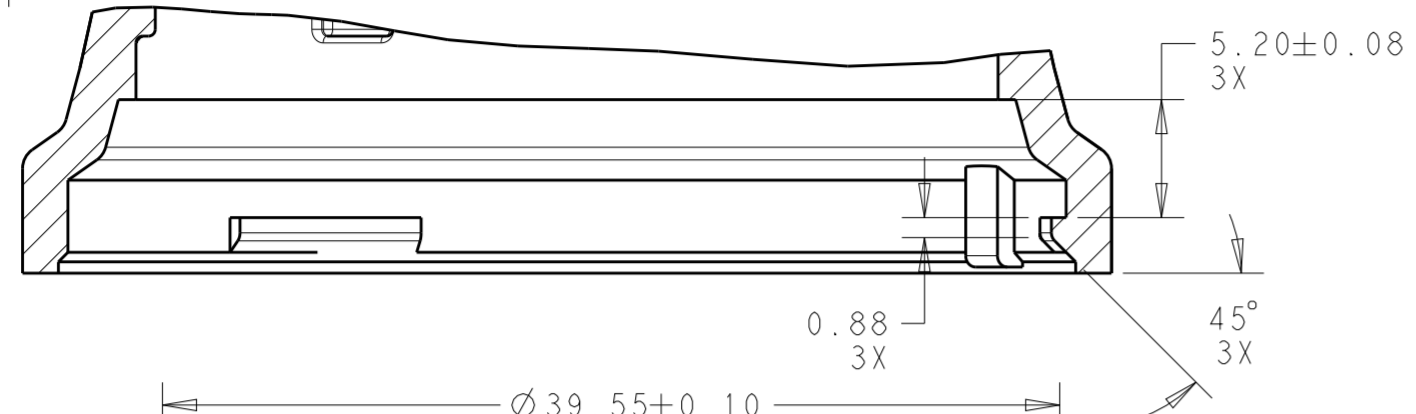
STANDARD	2213837-1
DESCRIPTION	PART NO.

THIS DRAWING IS A CONTROLLED DOCUMENT.		DWN C. DAILY 18MAY2016	STE TE Connectivity	
		CHK M. MOSTOLLER 18MAY2016		
DIMENSIONS:	TOLERANCES UNLESS OTHERWISE SPECIFIED:	APVD -	NAME	MODULE BASE ASSEMBLY, LUMAWISE ENDURANCE S 40mm DIAMETER
mm	0 PLC ± 1 PLC ±0.2 2 PLC ±0.15 3 PLC ±0 4 PLC ±0	PRODUCT SPEC 108-133073	SIZE	
	ANGLES ±1°	APPLICATION SPEC 114-133074	CAGE CODE	DRAWING NO.
MATERIAL	FINISH	WEIGHT	A2	RESTRICTED TO
SEE NOTES	-	CUSTOMER DRAWING	SCALE 3:1	SHEET 1 OF 2
				REV 8

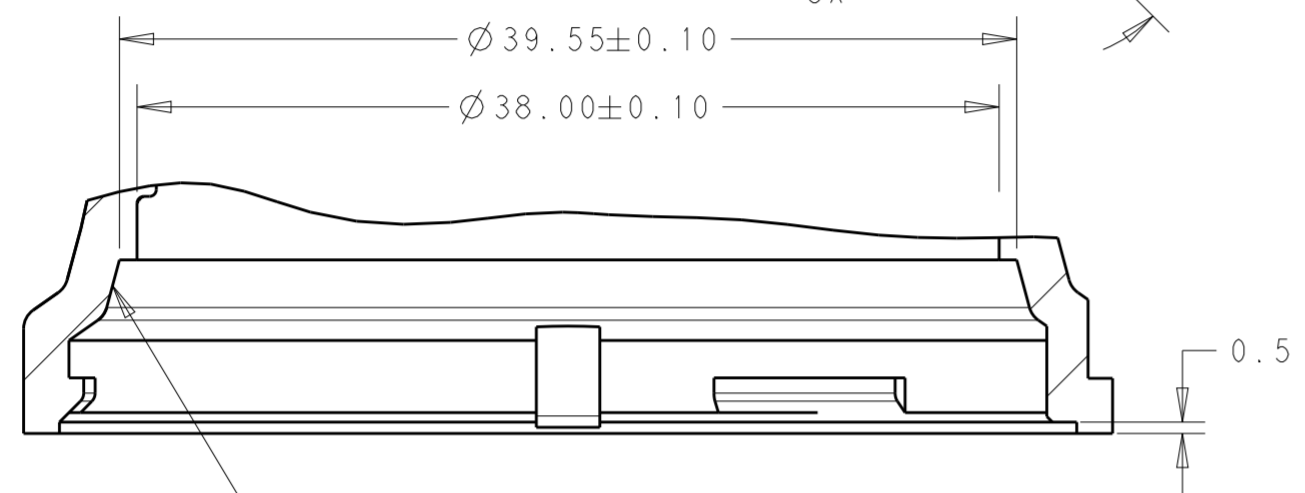
THIS DRAWING IS UNPUBLISHED. RELEASED FOR PUBLICATION 20
 © COPYRIGHT 20 BY - ALL RIGHTS RESERVED.

REVISIONS				
P	LTR	DESCRIPTION	DATE	APVD
-	-	SEE SHEET 1	-	-

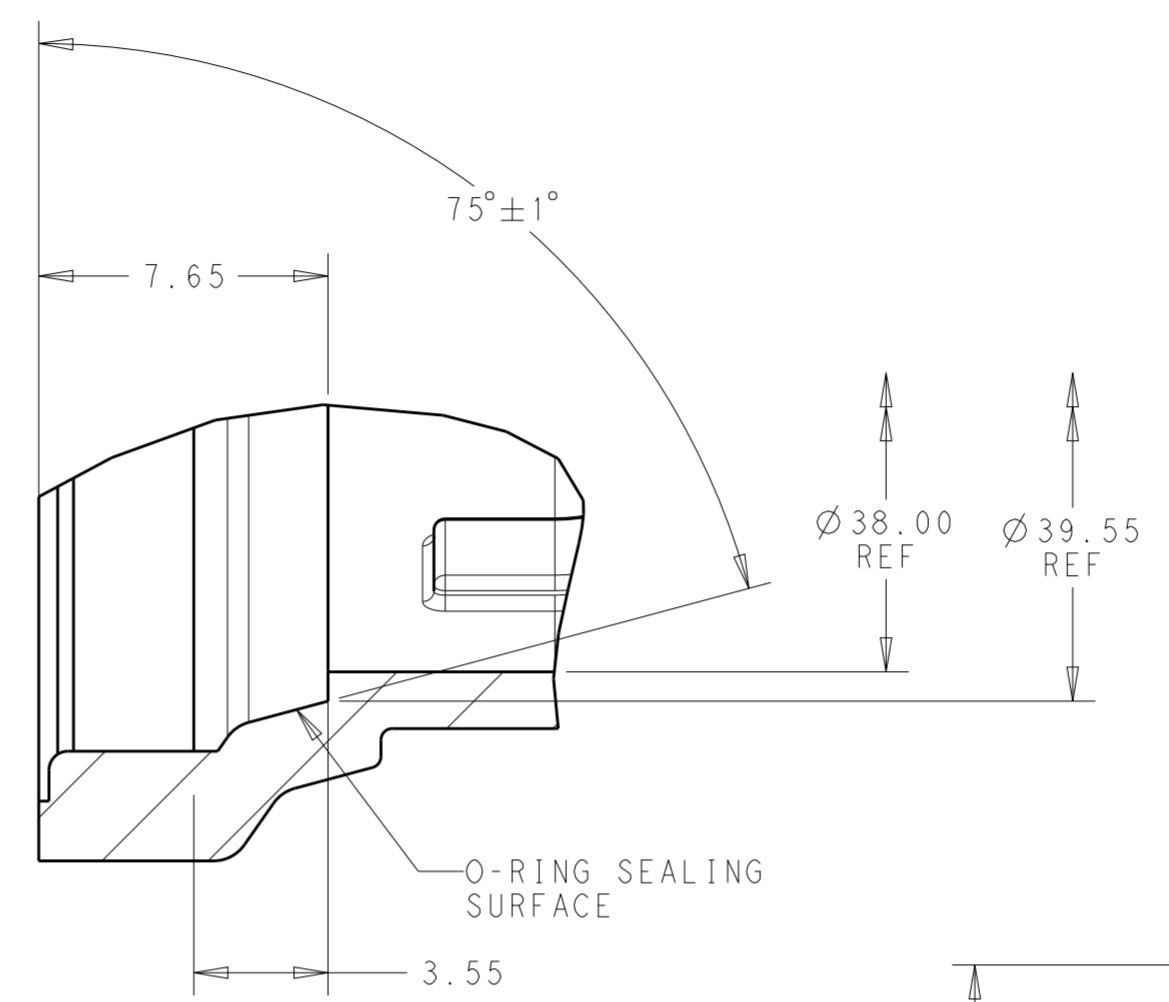
LATCH DETAIL
SECTION B-B
SCALE 3:1



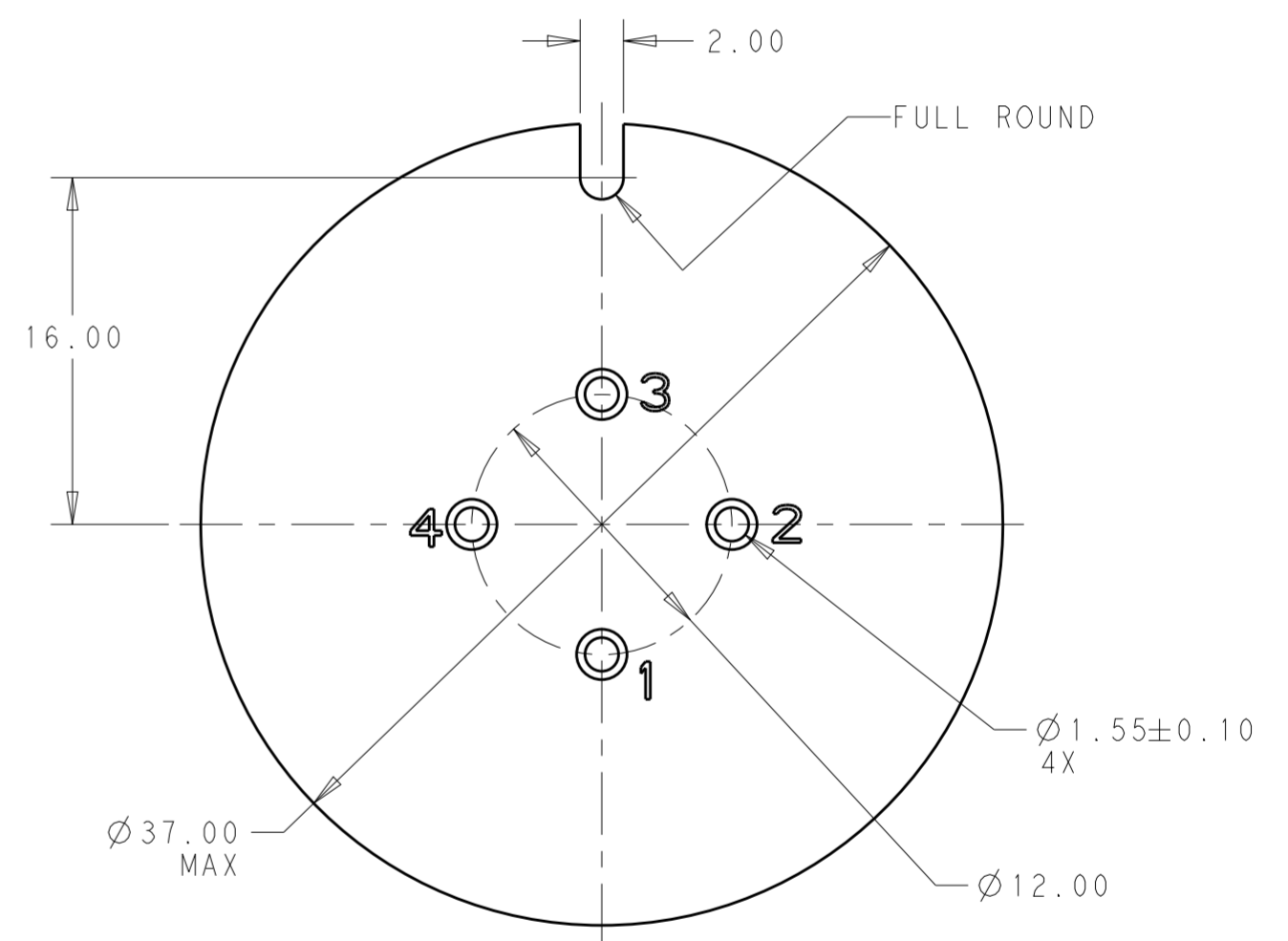
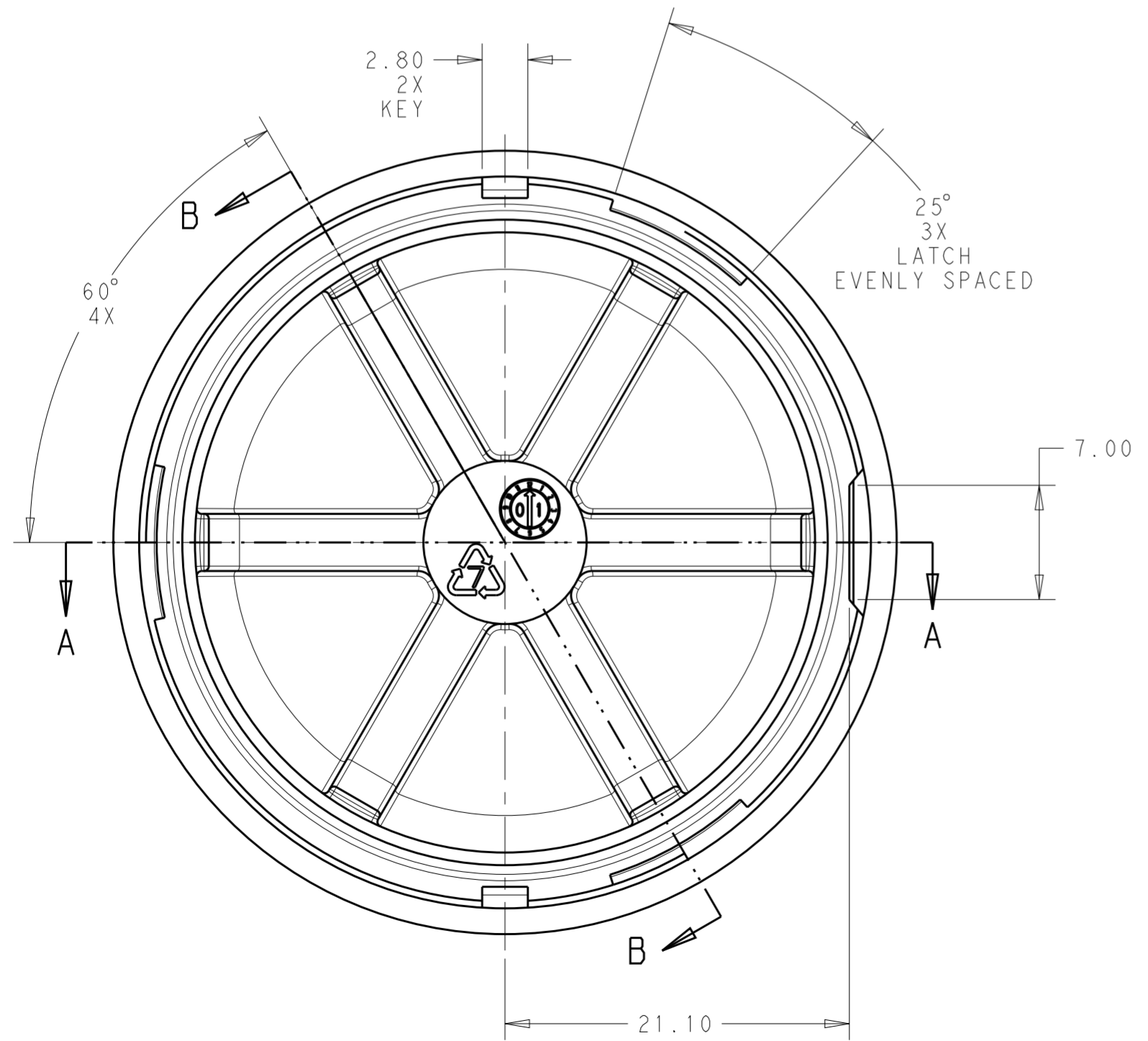
KEY DETAIL
SECTION A-A
SCALE 3:1



O-RING SEALING SURFACE
MUST BE SMOOTH AND
FREE OF DEFECTS



SECTION C-C
SCALE 5:1



PROPOSED PCB LAYOUT
SCALE 3:1

THIS DRAWING IS A CONTROLLED DOCUMENT.		DWN C. DAILY 18MAY2016	TE Connectivity	
		CHK M. MOSTOLLER 18MAY2016		
DIMENSIONS: mm		TOLERANCES UNLESS OTHERWISE SPECIFIED:		APVD -
		0 PLC ±	1 PLC ±0.2	PRODUCT SPEC 108-133073
		2 PLC ±0.15	3 PLC ±0	APPLICATION SPEC 114-133074
		4 PLC ±0	ANGLES ±1°	WEIGHT -
MATERIAL SEE NOTES		FINISH -		SIZE A2
				CAGE CODE -
				DRAWING NO. C-2213837
				RESTRICTED TO -
				SCALE 3:1 SHEET 2 OF 2 REV 8