



Chipsmall Limited consists of a professional team with an average of over 10 year of expertise in the distribution of electronic components. Based in Hongkong, we have already established firm and mutual-benefit business relationships with customers from,Europe,America and south Asia,supplying obsolete and hard-to-find components to meet their specific needs.

With the principle of “Quality Parts,Customers Priority,Honest Operation,and Considerate Service”,our business mainly focus on the distribution of electronic components. Line cards we deal with include Microchip,ALPS,ROHM,Xilinx,Pulse,ON,Everlight and Freescale. Main products comprise IC,Modules,Potentiometer,IC Socket,Relay,Connector.Our parts cover such applications as commercial,industrial, and automotives areas.

We are looking forward to setting up business relationship with you and hope to provide you with the best service and solution. Let us make a better world for our industry!



Contact us

Tel: +86-755-8981 8866 Fax: +86-755-8427 6832

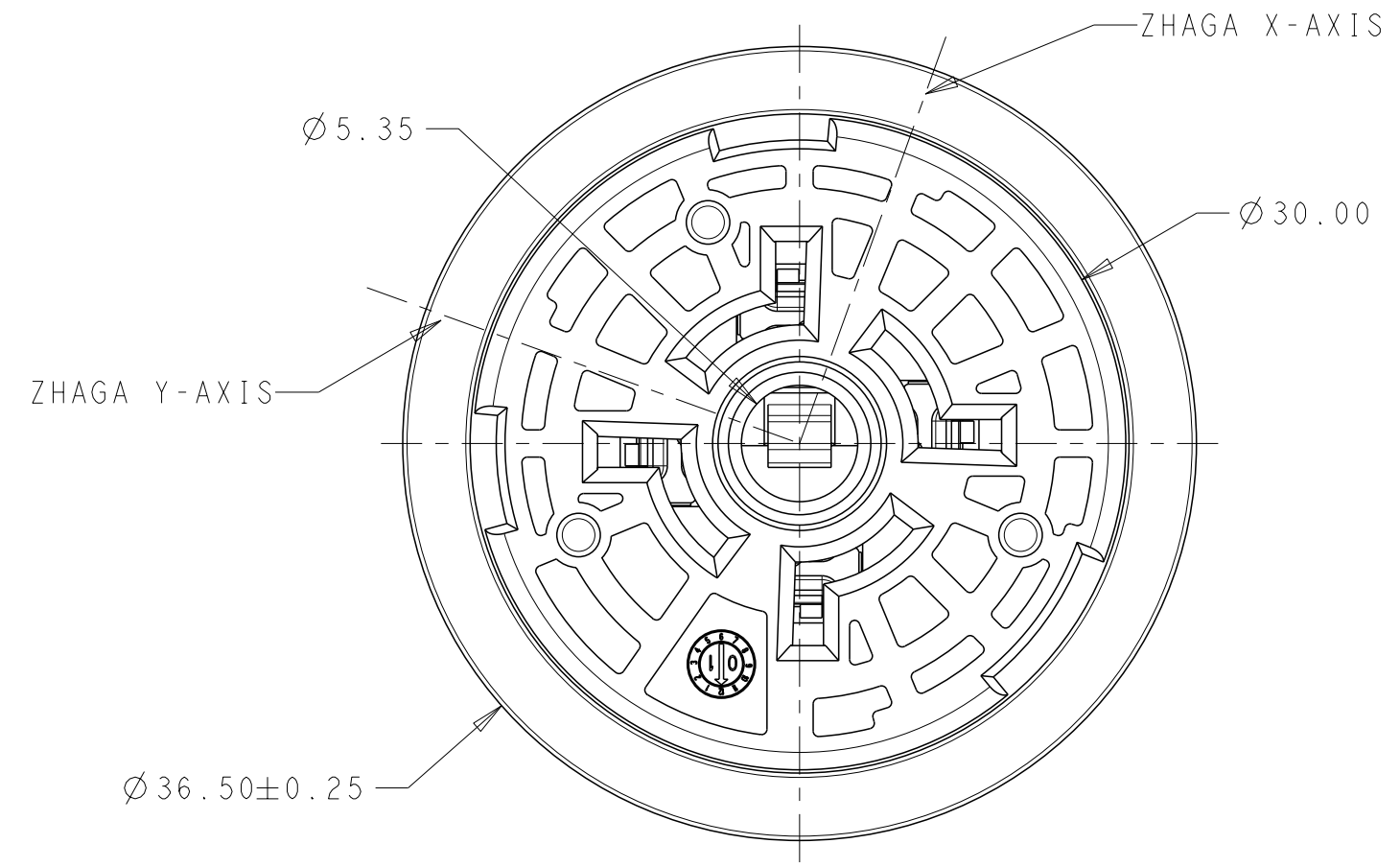
Email & Skype: info@chipsmall.com Web: www.chipsmall.com

Address: A1208, Overseas Decoration Building, #122 Zhenhua RD., Futian, Shenzhen, China



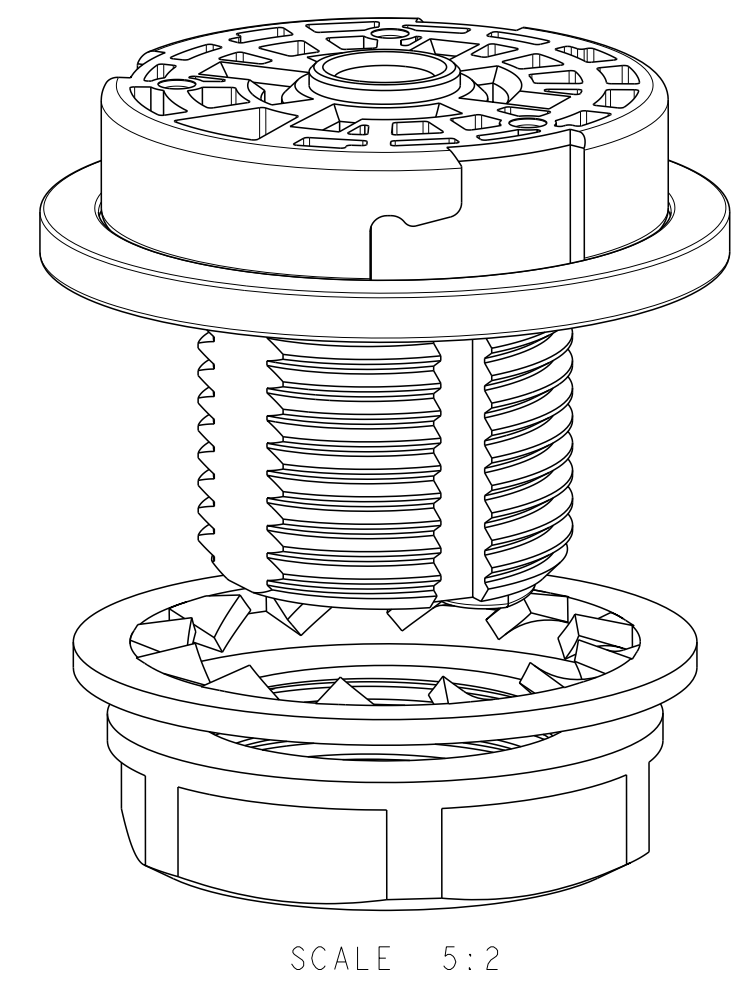
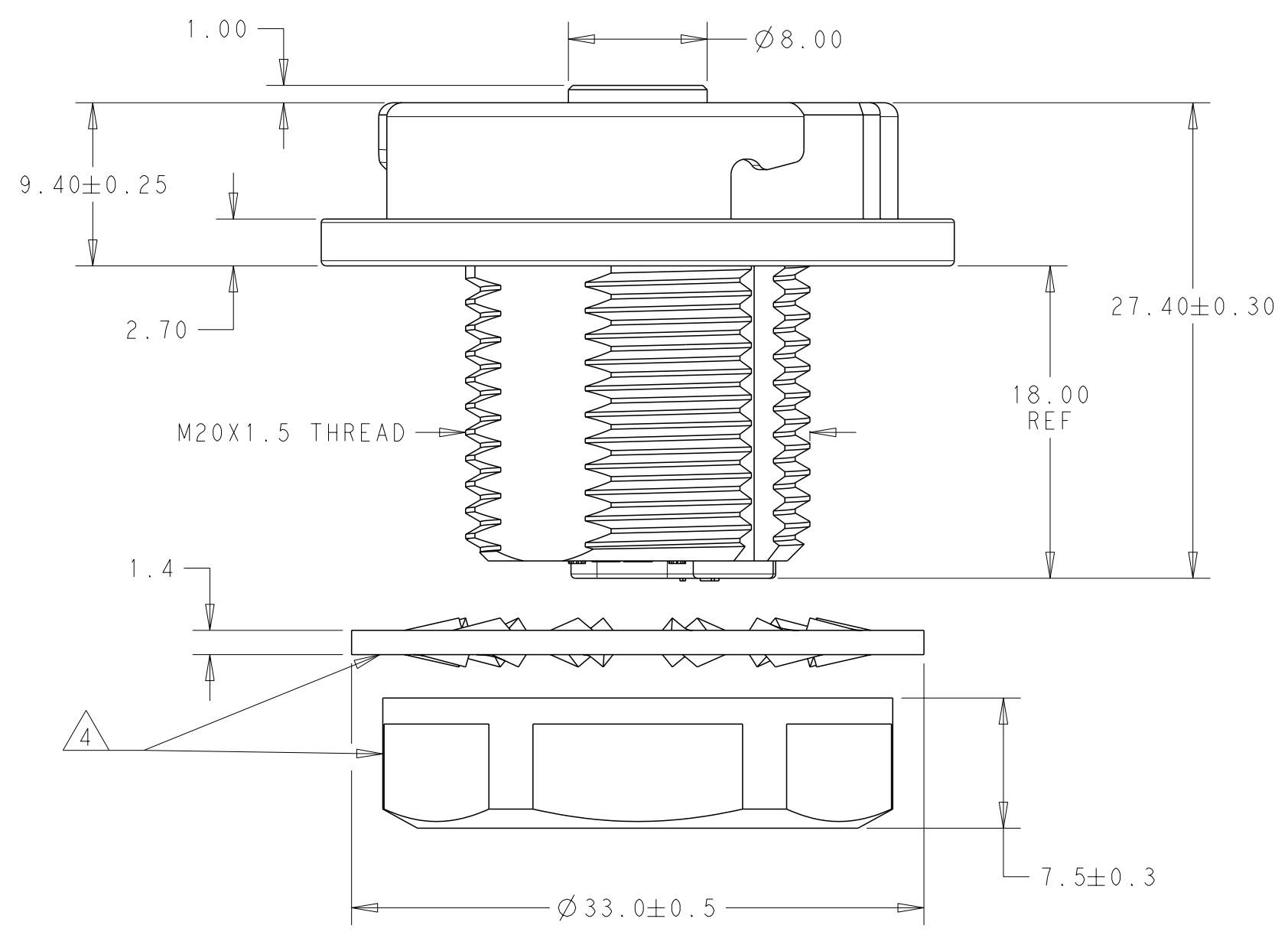
THIS DRAWING IS UNPUBLISHED. RELEASED FOR PUBLICATION 20
 © COPYRIGHT 20 BY - ALL RIGHTS RESERVED.

| REVISIONS | | | | |
|-----------|-----|-------------------------|-----------|-------|
| P | LTR | DESCRIPTION | DATE | APVD |
| A | | RELEASED FOR PRODUCTION | 13SEP2017 | RK OP |
| | | | | |
| | | | | |



NOTES:

- 1 MATERIALS AND FINISH:
 -RECEPTACLE HOUSING: PBT, COLOR: GREY
 -NUT: NYLON, COLOR: BLACK
 -CONTACTS: COPPER ALLOY, FINISH: Sn OVER Ni
 -SEAL: SILICON, COLOR: BLACK
 -STAR WASHER: STAINLESS STEEL
- 2. MUST COMPLY WITH DIRECTIVE 2002/95/EC (ROHS)
- 3. WIRE SIZE: 0.5-1.5mm² (20-16AWG); MAX INSULATION OD: Ø3.0
 STRIP LENGTH: 10.0±1.0
- 4 LOCK WASHER (REF P/N: 2213817-1) AND NUT (REF P/N: 2213791-1)
 NOT ASSEMBLED, SHIPPED BULK PACKED

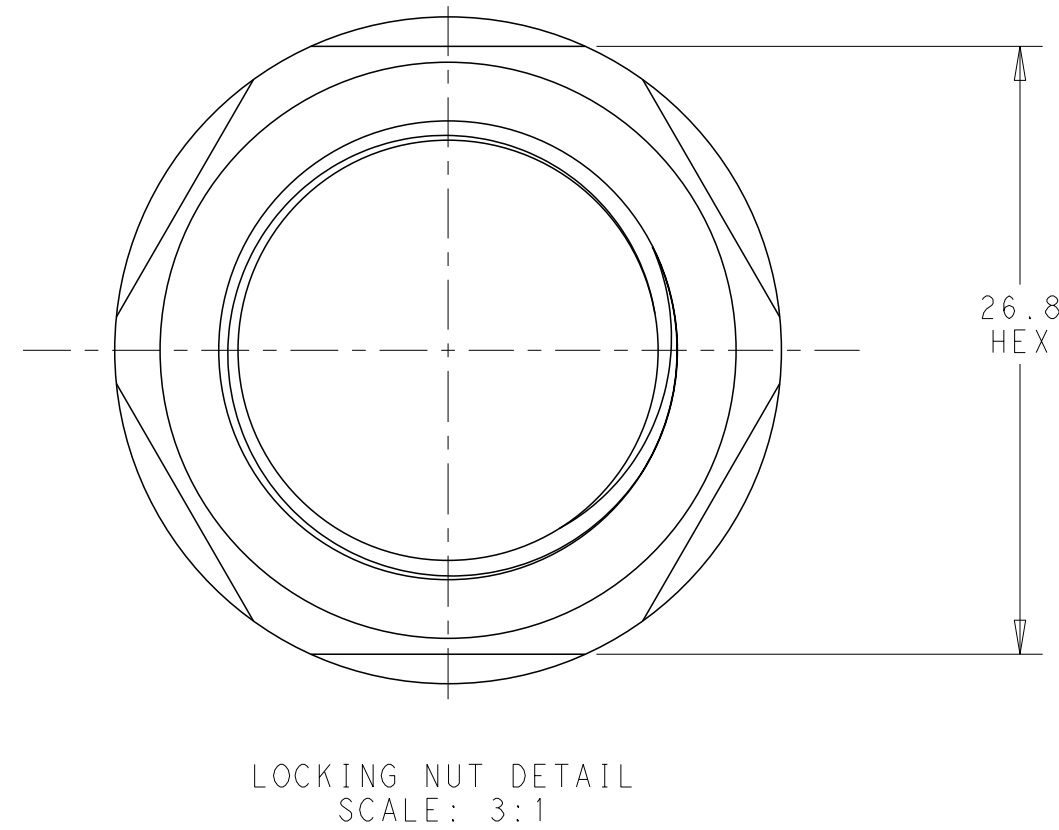
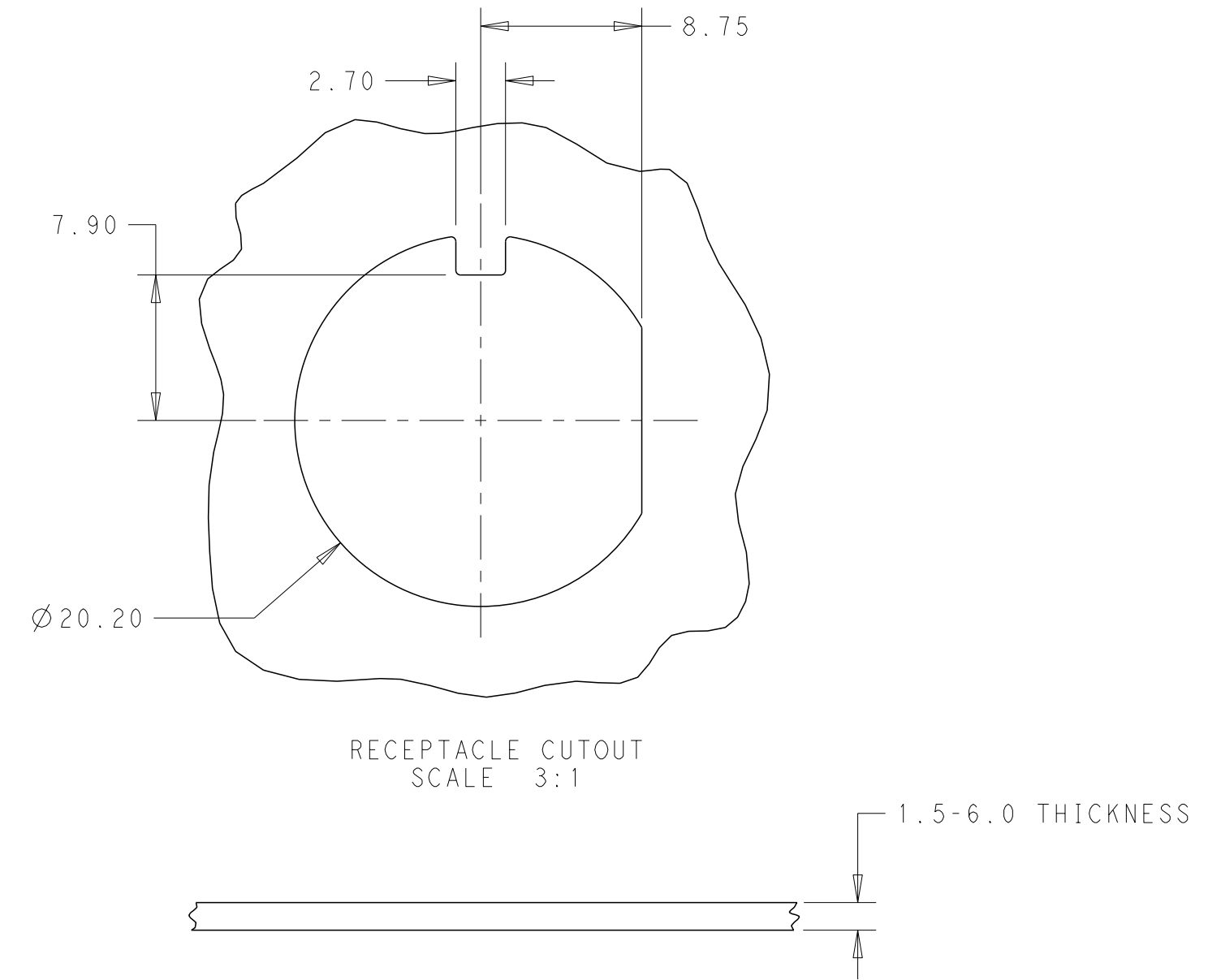
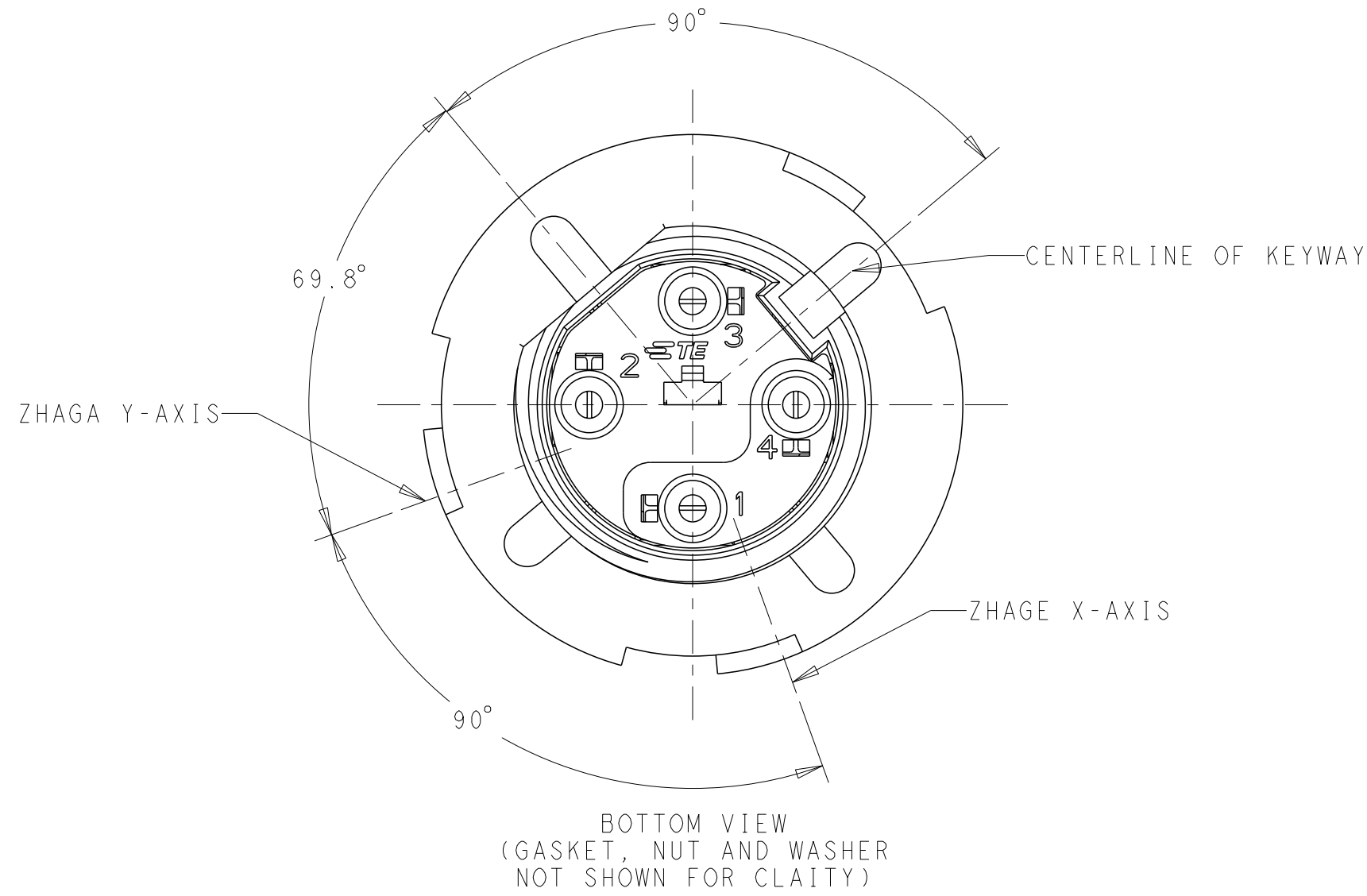


SEE SHEET 2 FOR
 BOTTOM VIEW DETAIL

2213858-1
 PART NO.

| | | | | |
|--|--|--------------------------------|--|-------------------------|
| THIS DRAWING IS A CONTROLLED DOCUMENT. | | DWN C. DAILY 05APR2016 | TE Connectivity | |
| | | CHK E. HOWARD 05APR2016 | | |
| DIMENSIONS: | TOLERANCES UNLESS OTHERWISE SPECIFIED: | APVD - | NAME | RESTRICTED TO |
| mm | 0 PLC ± 1 PLC ±0.2 2 PLC ±0.15 3 PLC ± 4 PLC ± | PRODUCT SPEC 108-133073 | RECEPTACLE ASSEMBLY, LUMAWISE ENDURANCE S | - |
| | FINISH ±2 | APPLICATION SPEC 114-133074 | SIZE A2 | |
| MATERIAL | - | WEIGHT - | CAGE CODE - | DRAWING NO G-2213858 |
| | | CUSTOMER DRAWING | SCALE 3:1 | SHEET 1 OF 2 |
| | | | | REV A |

| REVISIONS | | | | |
|-----------|-----|-------------|------|------|
| P | LTR | DESCRIPTION | DATE | APVD |
| - | - | SEE SHEET 1 | - | - |
| | | | | |
| | | | | |



| | | | | |
|--|--|--------------------------------|--|-------------------------|
| THIS DRAWING IS A CONTROLLED DOCUMENT. | | DWN C. DAILY 05APR2016 | STE TE Connectivity | |
| | | CHK E. HOWARD 05APR2016 | | |
| DIMENSIONS: | TOLERANCES UNLESS OTHERWISE SPECIFIED: | APVD - | NAME RECEPTACLE ASSEMBLY, LUMAWISE ENDURANCE S | |
| mm | 0 PLC ± 1 PLC ±0.2 2 PLC ±0.15 3 PLC ± 4 PLC ± | PRODUCT SPEC 108-133073 | SIZE A2 | |
| | ANGLES ±2 | APPLICATION SPEC 114-133074 | CAGE CODE - | DRAWING NO C-2213858 |
| MATERIAL | FINISH | WEIGHT - | RESTRICTED TO - | |
| - | - | CUSTOMER DRAWING | SCALE 3:1 | SHEET 2 OF 2 |
| - | - | | REV A | |