



Chipsmall Limited consists of a professional team with an average of over 10 year of expertise in the distribution of electronic components. Based in Hongkong, we have already established firm and mutual-benefit business relationships with customers from,Europe,America and south Asia,supplying obsolete and hard-to-find components to meet their specific needs.

With the principle of “Quality Parts,Customers Priority,Honest Operation,and Considerate Service”,our business mainly focus on the distribution of electronic components. Line cards we deal with include Microchip,ALPS,ROHM,Xilinx,Pulse,ON,Everlight and Freescale. Main products comprise IC,Modules,Potentiometer,IC Socket,Relay,Connector.Our parts cover such applications as commercial,industrial, and automotives areas.

We are looking forward to setting up business relationship with you and hope to provide you with the best service and solution. Let us make a better world for our industry!



Contact us

Tel: +86-755-8981 8866 Fax: +86-755-8427 6832

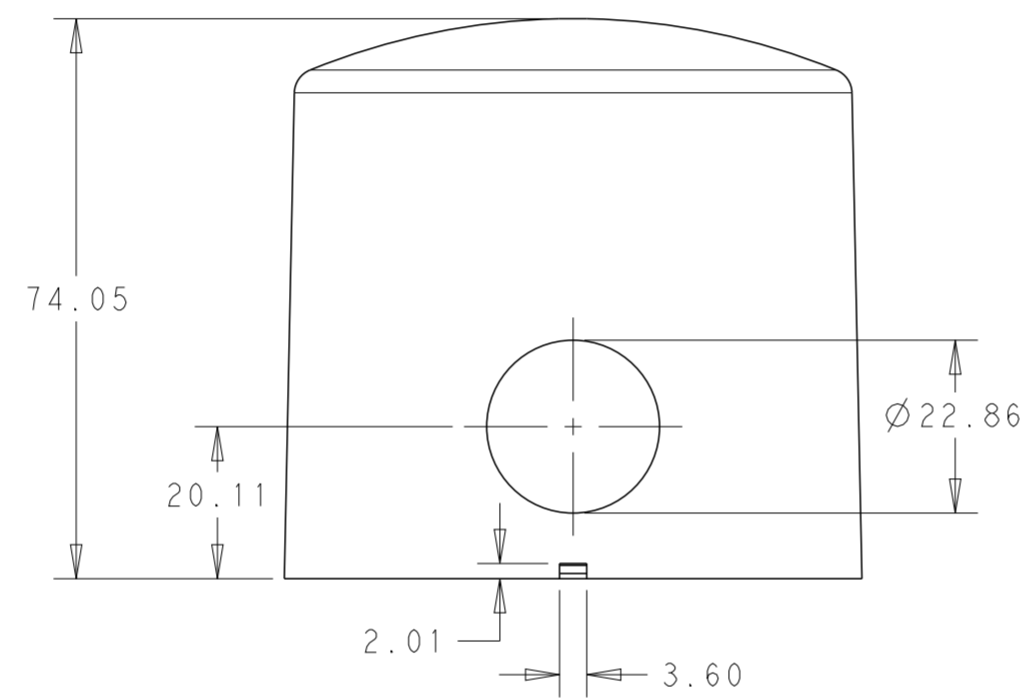
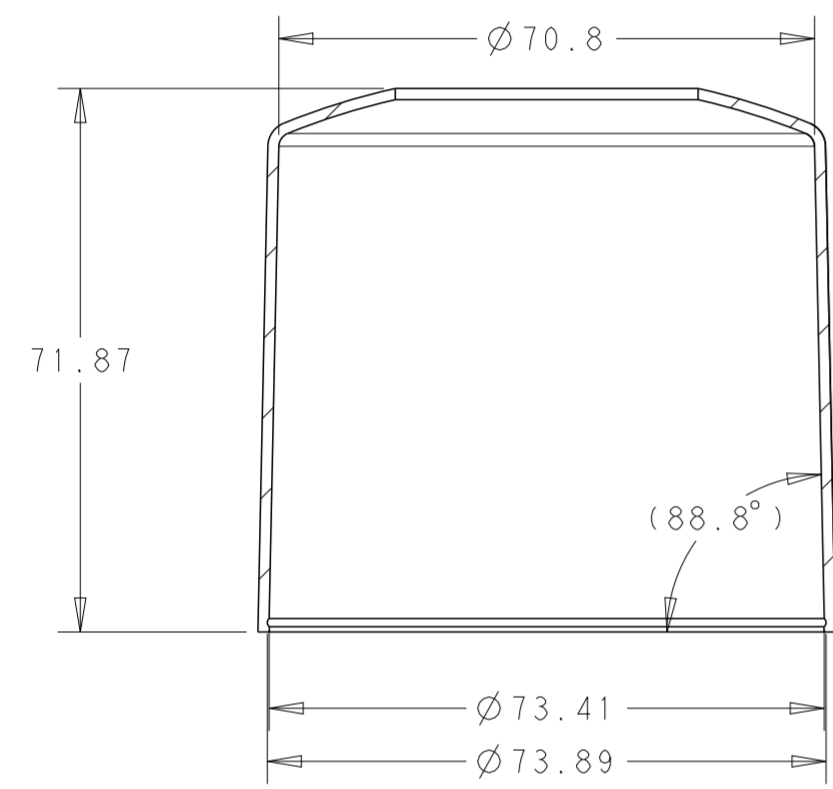
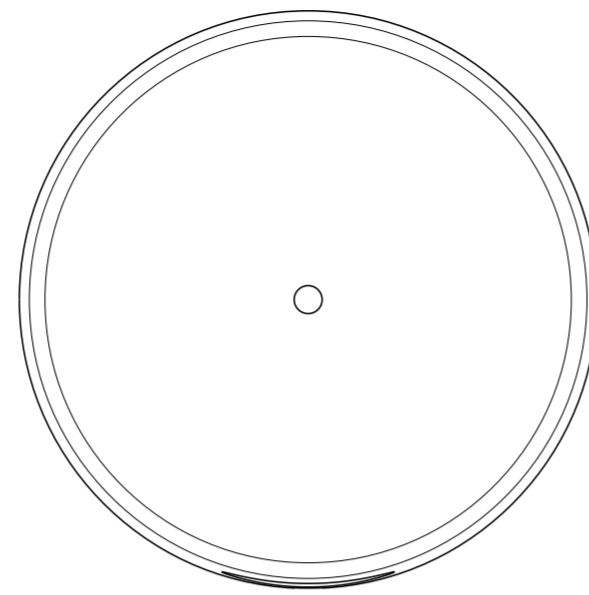
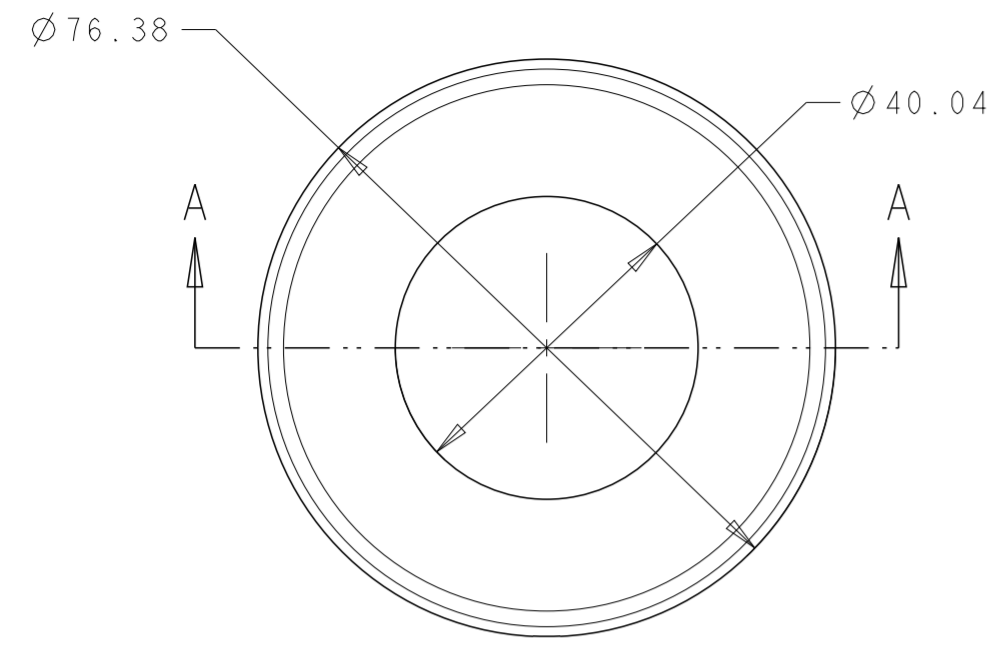
Email & Skype: info@chipsmall.com Web: www.chipsmall.com

Address: A1208, Overseas Decoration Building, #122 Zhenhua RD., Futian, Shenzhen, China



THIS DRAWING IS UNPUBLISHED. RELEASED FOR PUBLICATION 20
 © COPYRIGHT 20 BY - ALL RIGHTS RESERVED.

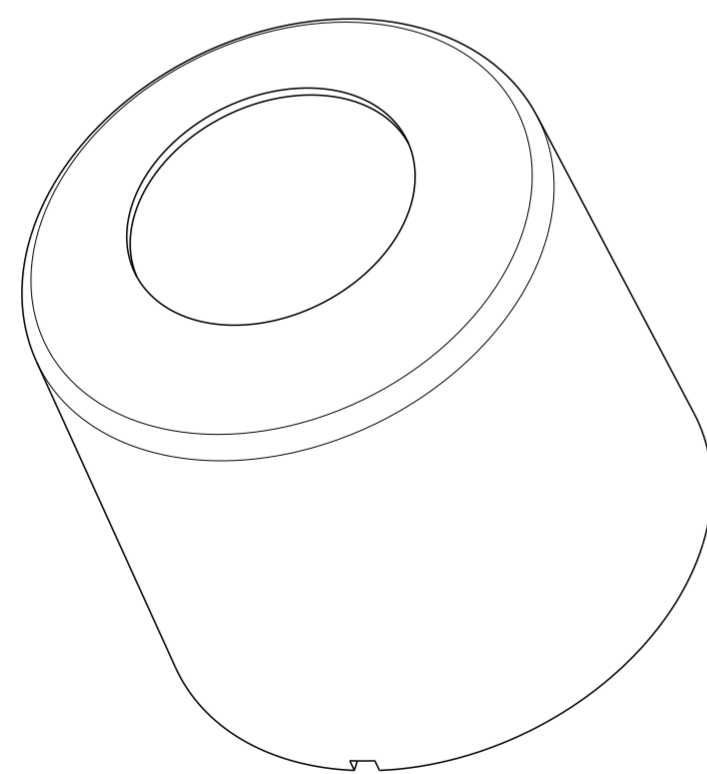
| REVISIONS | | | | |
|-----------|-----|---------------------------|-----------|-------|
| P | LTR | DESCRIPTION | DATE | APVD |
| A | | REVISED PER ECO-17-010648 | 21JUL2017 | RK DD |
| A1 | | REVISED PER ECO-17-014846 | 12OCT2017 | RK DD |
| | | | | |
| | | | | |



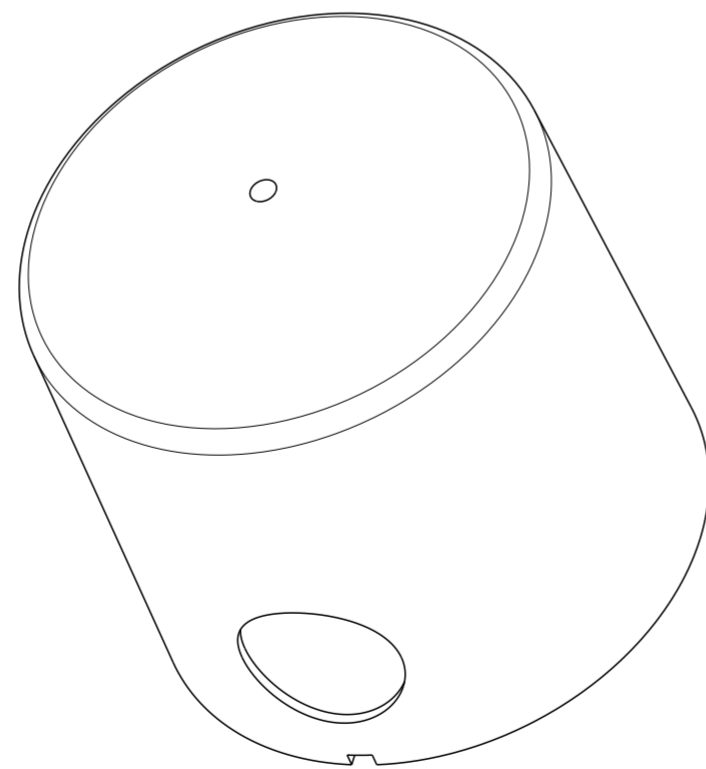
NOTES:

- 1 MATERIAL: PBT
- 2 MATING LIGHT CONTROLLER BASE ASSEMBLY TE P/N 2213871-2 AND 1-2213871-2.
- 3. THIS PRODUCT HAS NOT COMPLETED VALIDATION TESTING.
- 4 DOME P/N 2306130-1 OR 1-2306130-1 TO BE USED WITH SLEEVE P/N 2213996.
- 5 MAX ALLOWABLE PCB DIAMETER= \varnothing 72.00

SECTION A - A



2213996-1
SHOWN



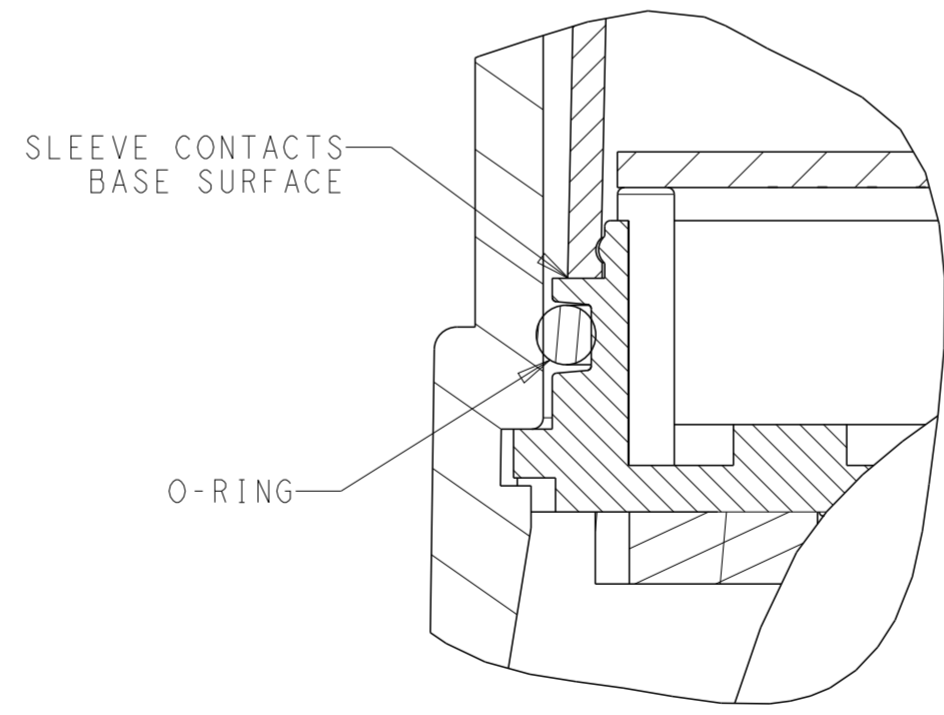
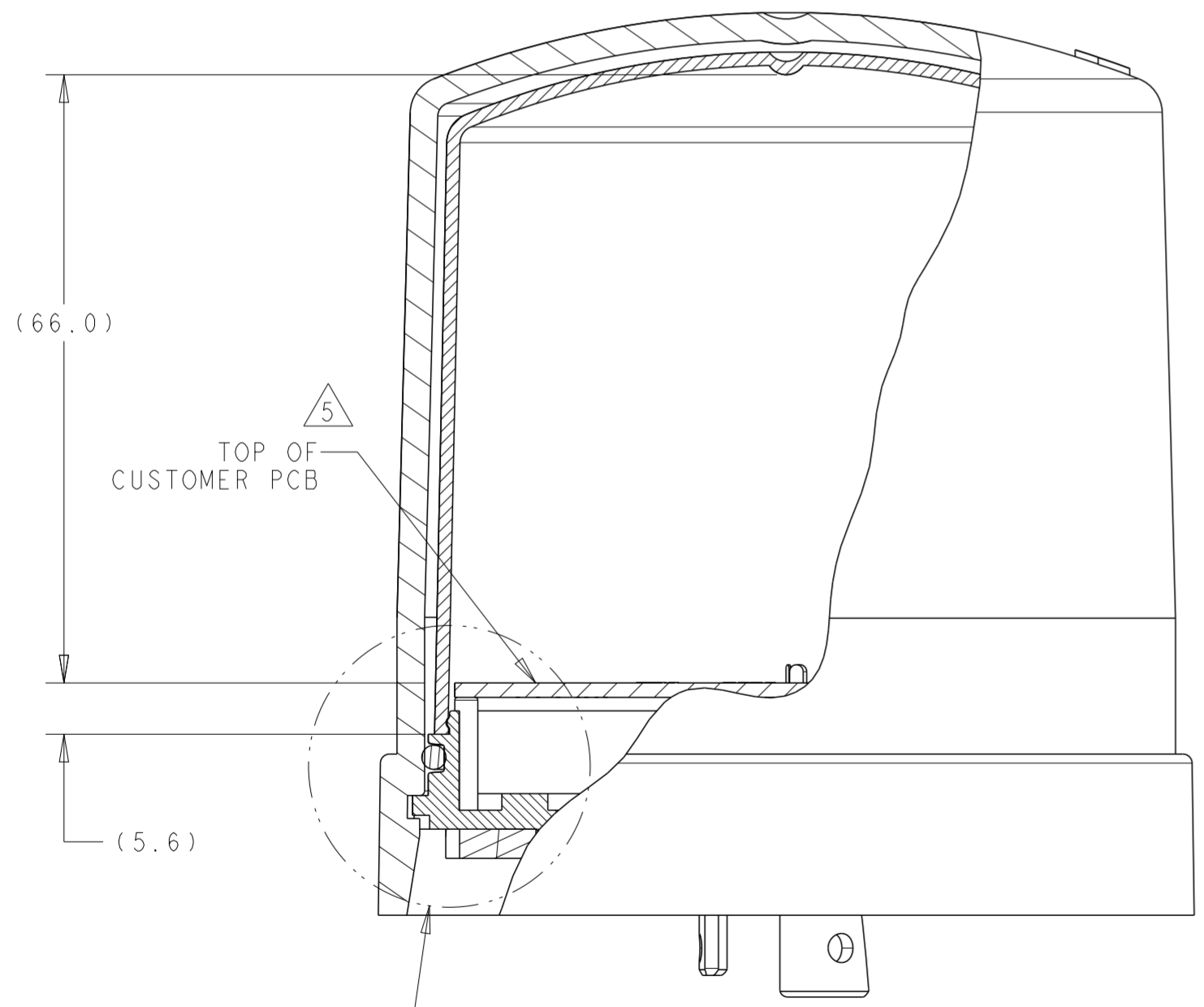
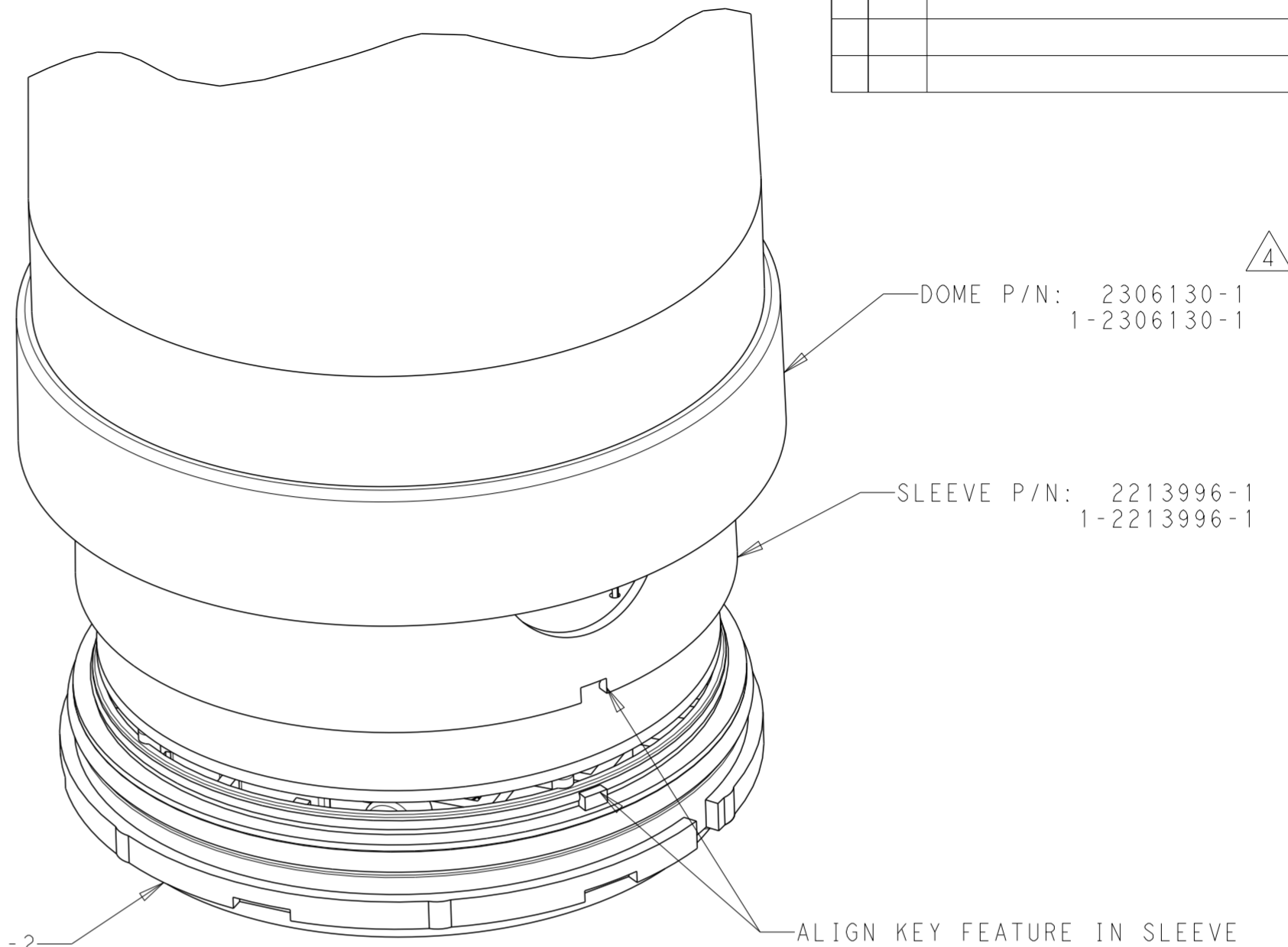
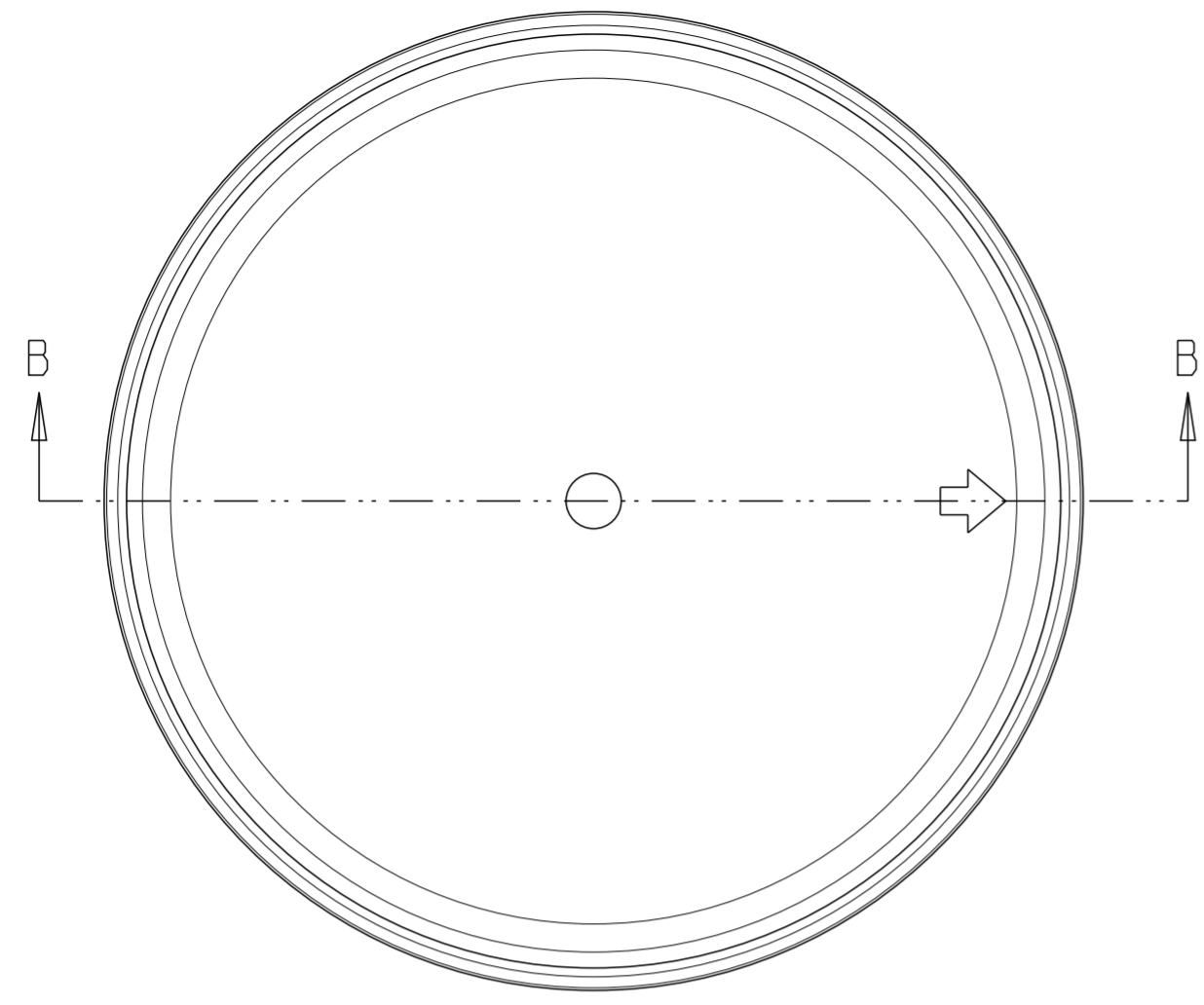
1-2213996-1
SHOWN

| | | |
|-------------|-----------|-------------|
| SIDE HOLE | JET BLACK | 1-2213996-1 |
| TOP HOLE | JET BLACK | 2213996-1 |
| DESCRIPTION | COLOR | PART NO. |

| | | | | | |
|--|--|--------------------------------|--------------------------|---|------------------------------------|
| THIS DRAWING IS A CONTROLLED DOCUMENT. | | DWN J. SHAFFER 13JUN2016 | APVD - | | NAME STE TE Connectivity |
| | | CHK E. HOWARD 13JUN2016 | APVD - | | |
| DIMENSIONS: mm | TOLERANCES UNLESS OTHERWISE SPECIFIED: | PRODUCT SPEC 108-32125 | | SLEEVE, CONTROLLER, LIGHT BASE, 81MM DIA | |
| | 0 PLC ± 1 PLC ±0.3 2 PLC ±0.25 3 PLC ± 4 PLC ± | APPLICATION SPEC 114-32159 | | SIZE A2 | CAGE CODE - |
| MATERIAL | FINISH | WEIGHT - | DRAWING NO. C-2213996 | | RESTRICTED TO - |
| | | CUSTOMER DRAWING | | SCALE 1:1 | SHEET 1 OF 2 |
| | | | | REV A1 | |

THIS DRAWING IS UNPUBLISHED. RELEASED FOR PUBLICATION 20
 © COPYRIGHT 20 BY - ALL RIGHTS RESERVED.

| REVISIONS | | | | | |
|-----------|-----|-------------|------|-----|------|
| P | LTR | DESCRIPTION | DATE | DWN | APVD |
| - | - | SEE SHEET 1 | - | - | - |
| | | | | | |
| | | | | | |



DETAIL A
SCALE 3:1

SECTION B-B
SCALE 3:2

| | | | | | |
|--|--|----------------------------------|---|--|--|
| THIS DRAWING IS A CONTROLLED DOCUMENT. | | DWN J. SHAFFER 13 JUN 2016 | TE Connectivity | | |
| | | CHK E. HOWARD 13 JUN 2016 | | | |
| DIMENSIONS: mm | | APVD - | NAME SLEEVE, CONTROLLER, LIGHT BASE, 81MM DIA | | |
| TOLERANCES UNLESS OTHERWISE SPECIFIED: | | PRODUCT SPEC 108-32125 | SIZE A2 | | |
| 0 PLC ±- | | APPLICATION SPEC 114-32159 | CAGE CODE - | | |
| 1 PLC ±0.3 | | WEIGHT - | DRAWING NO C-2213996 | | |
| 2 PLC ±0.25 | | CUSTOMER DRAWING | RESTRICTED TO - | | |
| 3 PLC ±- | | SCALE 1:1 | SHEET 2 OF 2 | | |
| 4 PLC ±- | | | REV A1 | | |
| ANGLES ±- | | | | | |
| FINISH - | | | | | |
| | | | | | |