

Chipsmall Limited consists of a professional team with an average of over 10 year of expertise in the distribution of electronic components. Based in Hongkong, we have already established firm and mutual-benefit business relationships with customers from,Europe,America and south Asia,supplying obsolete and hard-to-find components to meet their specific needs.

With the principle of “Quality Parts,Customers Priority,Honest Operation,and Considerate Service”,our business mainly focus on the distribution of electronic components. Line cards we deal with include Microchip,ALPS,ROHM,Xilinx,Pulse,ON,Everlight and Freescale. Main products comprise IC,Modules,Potentiometer,IC Socket,Relay,Connector.Our parts cover such applications as commercial,industrial, and automotives areas.

We are looking forward to setting up business relationship with you and hope to provide you with the best service and solution. Let us make a better world for our industry!



Contact us

Tel: +86-755-8981 8866 Fax: +86-755-8427 6832

Email & Skype: info@chipsmall.com Web: www.chipsmall.com

Address: A1208, Overseas Decoration Building, #122 Zhenhua RD., Futian, Shenzhen, China

THIS DRAWING IS UNPUBLISHED.

RELEASED FOR PUBLICATION

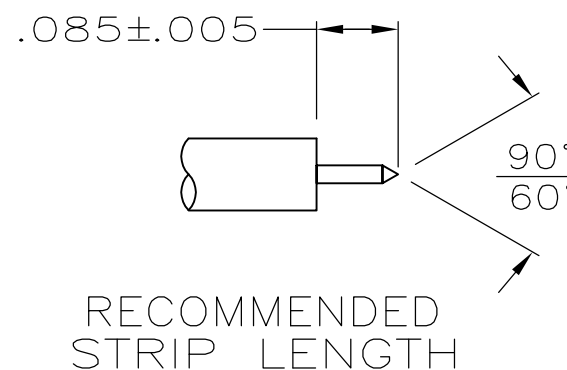
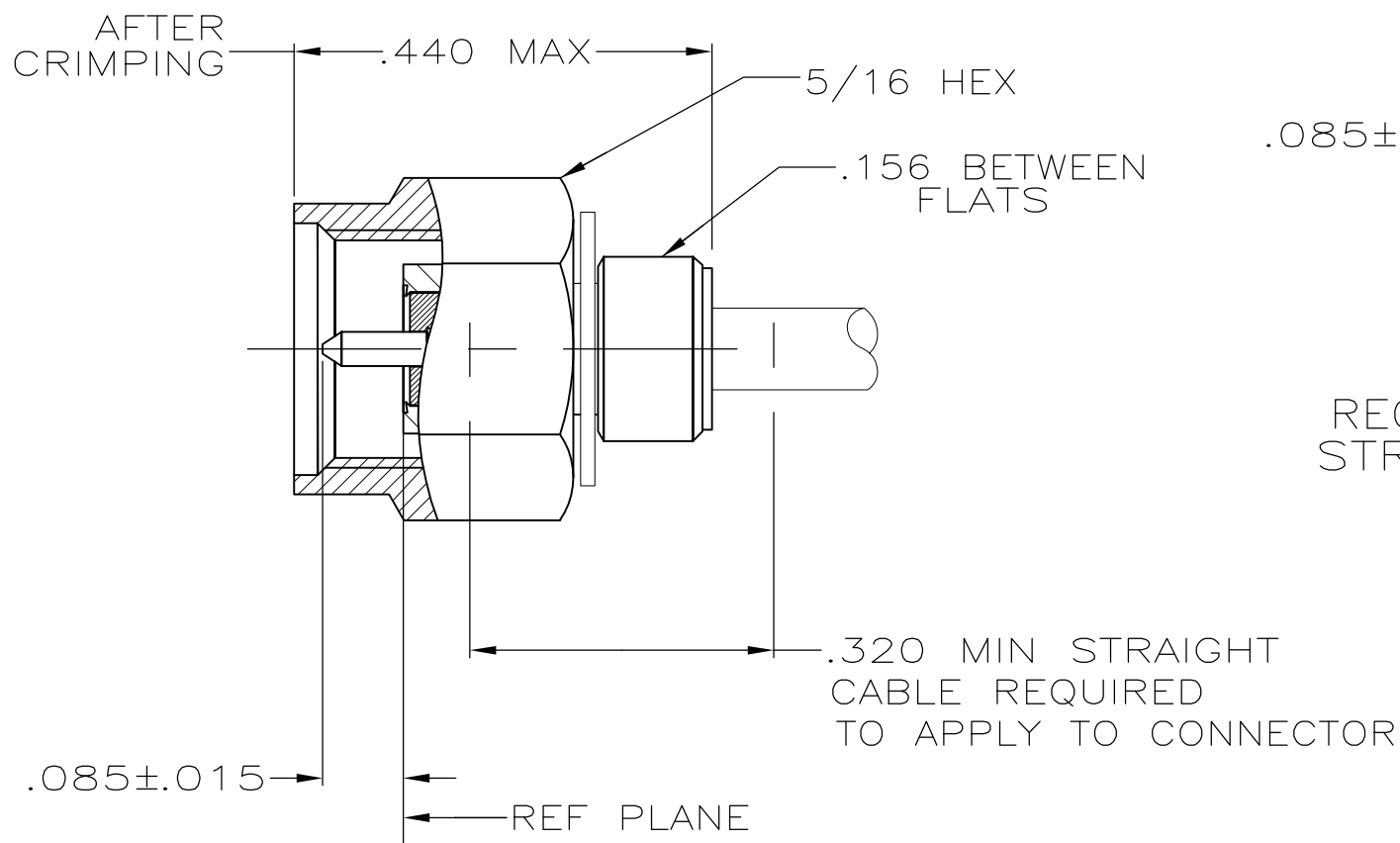
© COPYRIGHT - By -

ALL RIGHTS RESERVED.

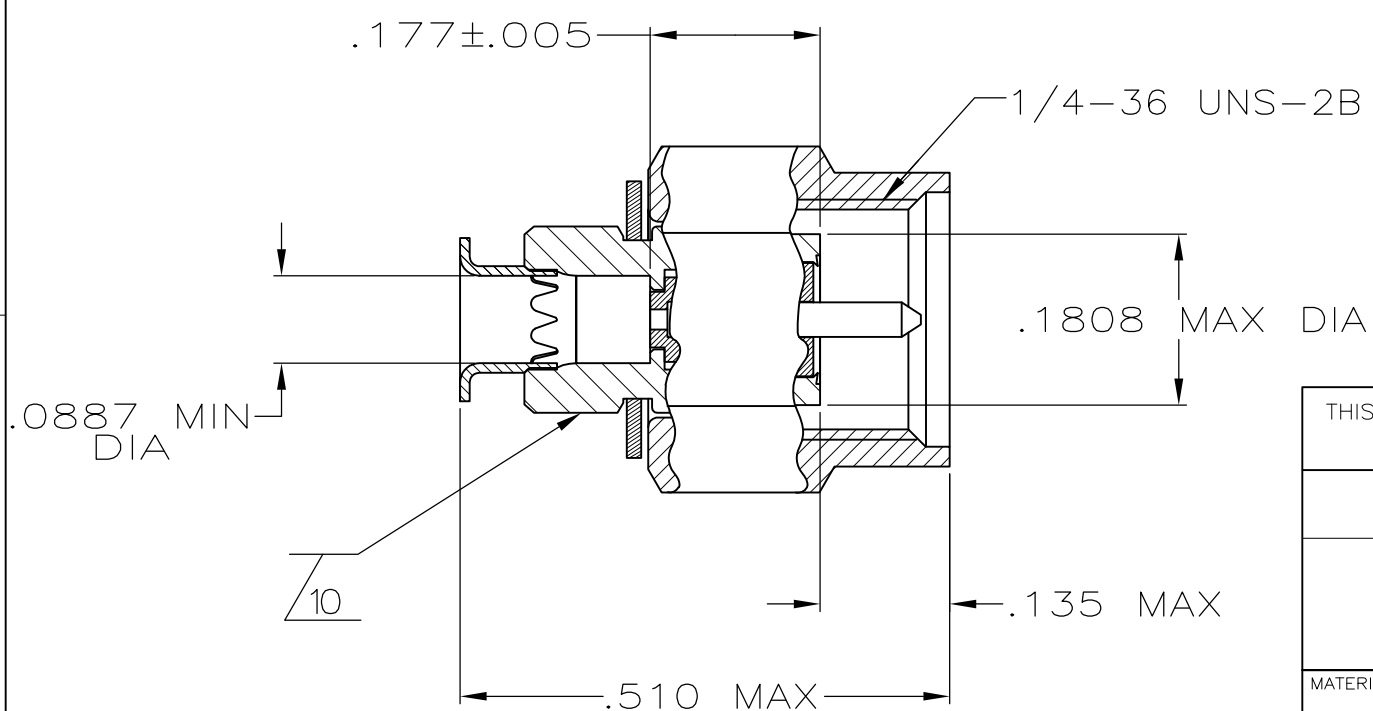
LOC
AJ 16

REVISIONS

P	LTR	DESCRIPTION	DATE	DWN	APVD
	C1	REVISED PER ECO-11-005030	11MAR11	RK	HMR



1. FOR USE WITH: RG-405/U, .086 SEMI RIGID CABLE
2. PNEUMATIC TOOL: 59964-1
CRIMPING TOOL: 59980-1
3. SEE I.S. 2924
4. STAINLESS STEEL PER ASTM-A-582
5. BERYLLIUM COPPER PER ASTM-B-197
6. SILICONE RUBBER PER ZZ-R-765
7. PTFE PER ASTM D1710
8. BRASS PER ASTM-B-36
9. GOLD PER MIL-G-45204
10. PASSIVATION PER ASTM A967
11. NICKEL PL PER QQ-N-290
12. PRODUCT IS DESIGNED TO MEET PRODUCT SPECIFICATION 108-12055
13. AF8627286-2 AMP



221447-1
PART NO

THIS DRAWING IS A CONTROLLED DOCUMENT.		DWN C.BAKER 2-15-89	TE Connectivity		
DIMENSIONS: INCHES		CHK L.MOSCOSO 4-10-89			
TOLERANCES UNLESS OTHERWISE SPECIFIED:		APVD R.HENRY 4-10-89	NAME-89 4-10-89		
0 PLC ± - 1 PLC ± - 2 PLC ± - 3 PLC ± - 4 PLC ± - ANGLES ± -		PRODUCT SPEC -	CONNECTOR, COAXIAL, RF, PLUG, SERIES SMA		
MATERIAL 4 THRU 8		FINISH 9 THRU 11	APPLICATION SPEC -	SIZE A3	CAGE CODE 00779
			WEIGHT -	DRAWING NO C-221447-1	RESTRICTED TO -
CUSTOMER DRAWING			SCALE 5:1	SHEET 1 OF 1	REV C1