



Chipsmall Limited consists of a professional team with an average of over 10 year of expertise in the distribution of electronic components. Based in Hongkong, we have already established firm and mutual-benefit business relationships with customers from,Europe,America and south Asia,supplying obsolete and hard-to-find components to meet their specific needs.

With the principle of “Quality Parts,Customers Priority,Honest Operation,and Considerate Service”,our business mainly focus on the distribution of electronic components. Line cards we deal with include Microchip,ALPS,ROHM,Xilinx,Pulse,ON,Everlight and Freescale. Main products comprise IC,Modules,Potentiometer,IC Socket,Relay,Connector.Our parts cover such applications as commercial,industrial, and automotives areas.

We are looking forward to setting up business relationship with you and hope to provide you with the best service and solution. Let us make a better world for our industry!



## Contact us

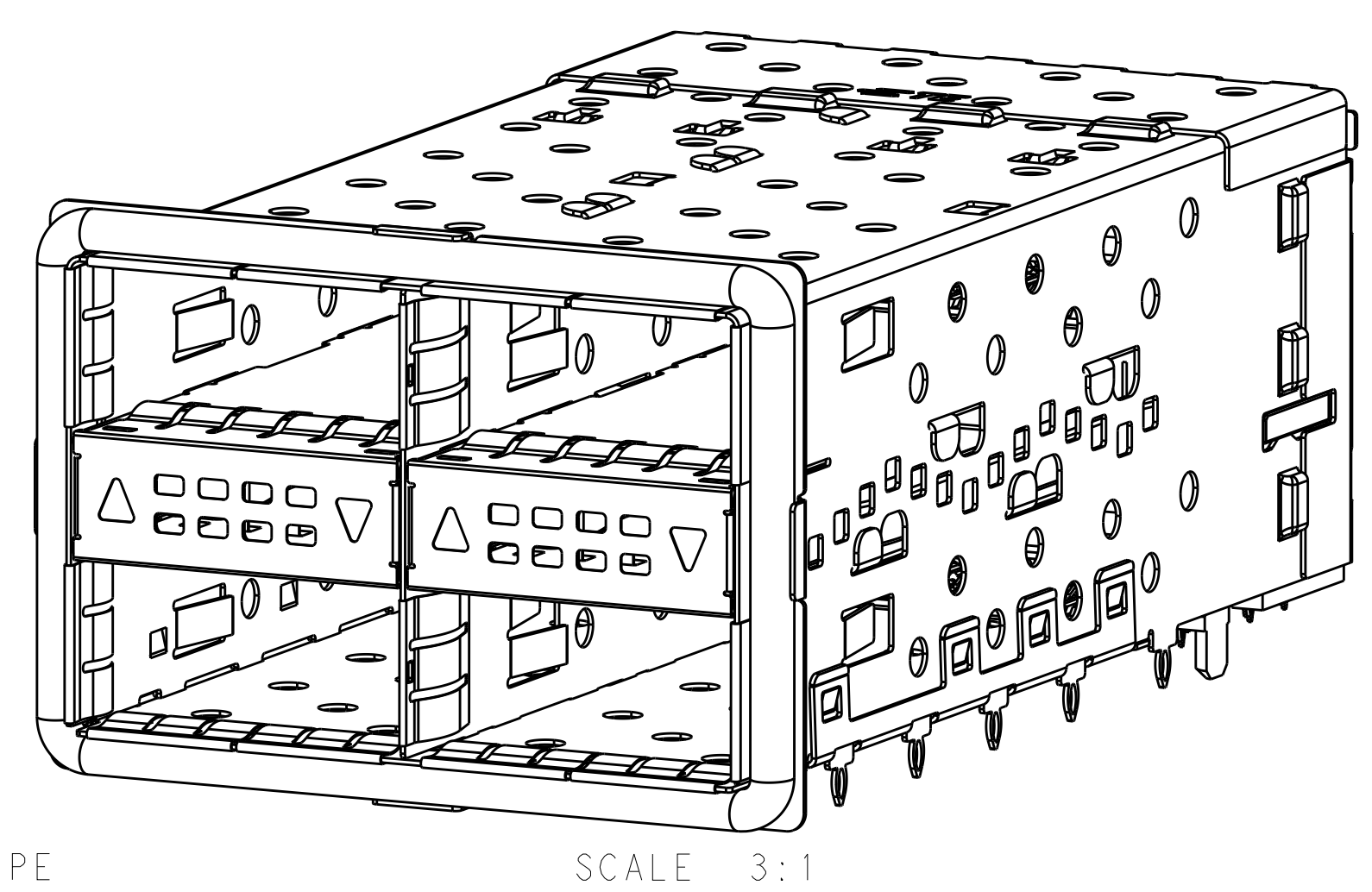
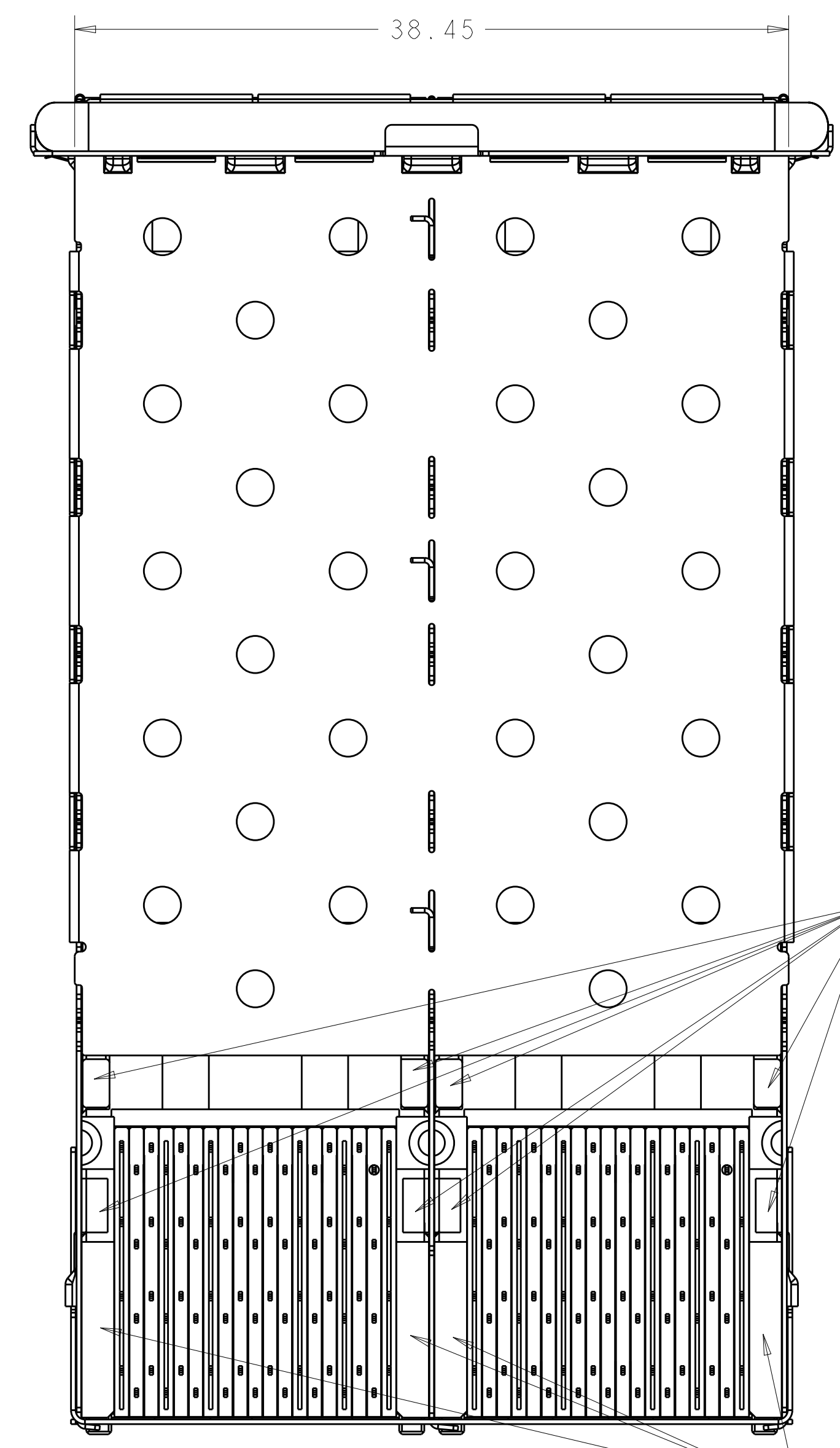
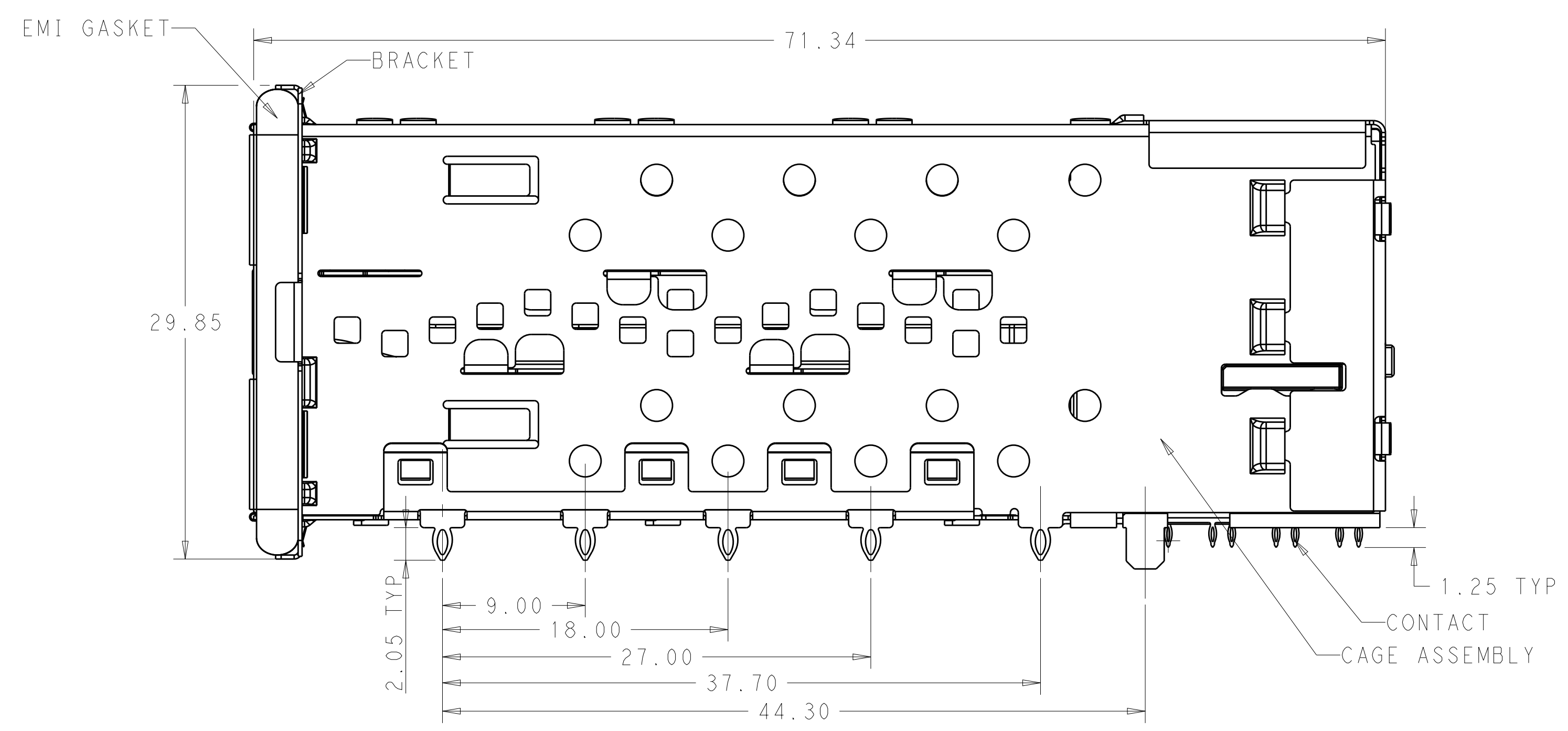
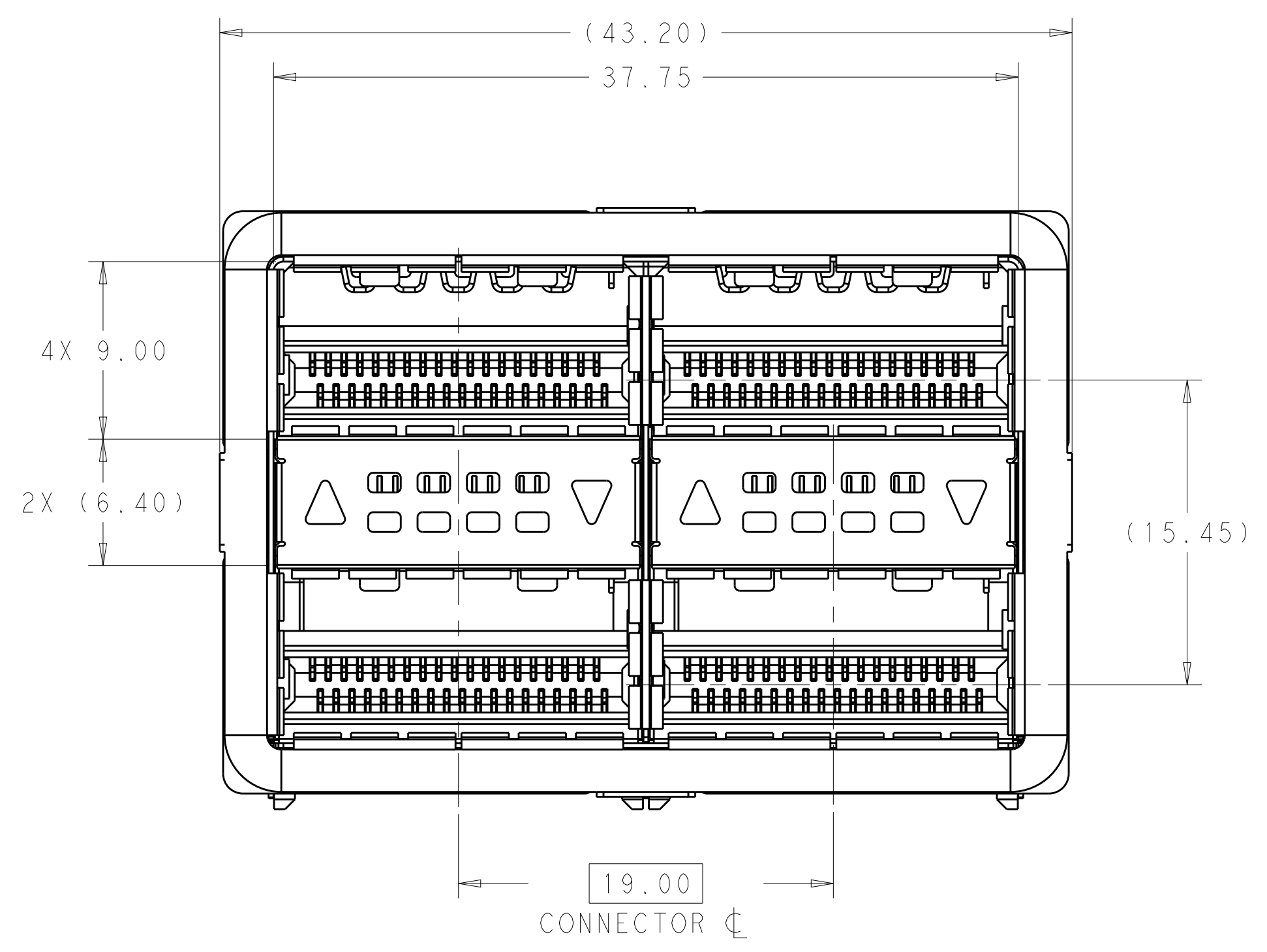
Tel: +86-755-8981 8866 Fax: +86-755-8427 6832

Email & Skype: info@chipsmall.com Web: www.chipsmall.com

Address: A1208, Overseas Decoration Building, #122 Zhenhua RD., Futian, Shenzhen, China



LOC	DIST	REVISIONS					
GP	00	P	LTN	DESCRIPTION	DATE	DWN	APVD
		A		RELEASE PER ECO-16-001264	1FEB2016	RG	SH



- ⚠ MATERIAL:  
 CAGE ASSEMBLY- STAINLESS STEEL.  
 BRACKET- STAINLESS STEEL.  
 EMI GASKET- NIKCEL-GRAPHITE FILLED SILICONE.  
 HOUSING- BLACK LCP,UL 94V-0 RATED  
 CHICKLET- BLACK LCP,UL 94V-0 RATED  
 LIGHT PIPE- POLYCARBONATE, CLEAR, UL 94V-0 RATED  
 CONTACT- COPPER ALLOY.  
 GASKET - CONDUCTIVE RUBBER, UL 94V-0 RATED
- ⚠ DATUM AND BASIC DIMENSIONS ESTABLISHED BY CUSTOMER.
- 3. MINIMUM PCB THICKNESS OF 1.57mm.
- ⚠ CONTACT FINISH- CONFORMS TO THE REQUIREMENTS OF TE PRODUCT SPECIFICATION 108-127010. BASED ON EIA/ECA-364-1000.01A. (CONTROLLED ENVIRONMENT APPLICATIONS) ON MATING INTERFACE, TIN ON NEEDLE EYE.
- ⚠ THE ENTIRE AREA OF THE CONNECTOR FOOTPRINT, INDICATED BY THE DASHED LINE, TO BE CONSIDERED THE KEEPOUT AREA FOR COMPONENTS AND SIGNAL TRACES. TOP SIDE ONLY. TOP SIDE TRACES ALLOWED WITHIN CONNECTOR HOLE PATTERN.
- ⚠ LIGHT PIPE PAD LAYOUT IS FOR 0805 LOW PROFILE LED PACKAGE WITH A HEIGHT OF 0.8mm.
- 7. CAGE FINISH-1.25 μm MINIMUM NICKEL PLATING.

BOTH LIGHT PIPES WITH DOWN DIRECTION	1-2214574-0
3 ROUND VENT HOLES	2214574-9
BOTH LIGHT PIPES	2214574-8
BOTH LIGHT PIPES	2214574-7
INNER LIGHT PIPES	2214574-6
OUTER LIGHT PIPES	2214574-5
NO LIGHT PIPES	2214574-4
BOTH LIGHT PIPES	2214574-3
INNER LIGHT PIPES	2214574-2
OUTER LIGHT PIPES	2214574-1
DESCRIPTION	PART NUMBER

THIS DRAWING IS A CONTROLLED DOCUMENT. DWN ROBERT GAN 20APR2013  
 CHN JASON YANG 20APR2013  
 APVD ALEX CAI 20APR2013

TE Connectivity

CAGE AND PT CONNECTOR ASSEMBLY WITH EMI GASKET, PRESS FIT, 2X2, STACKED QSFP+

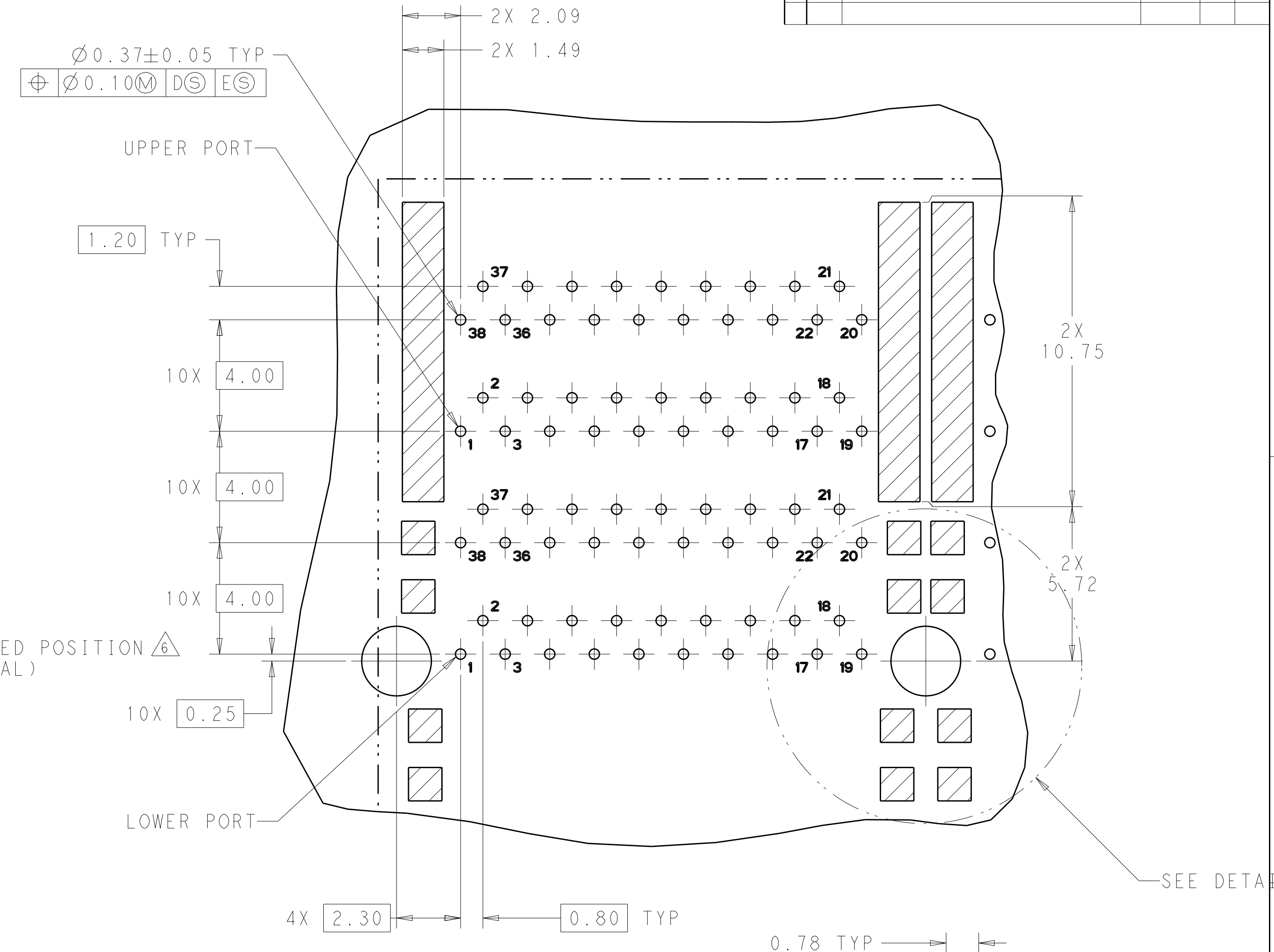
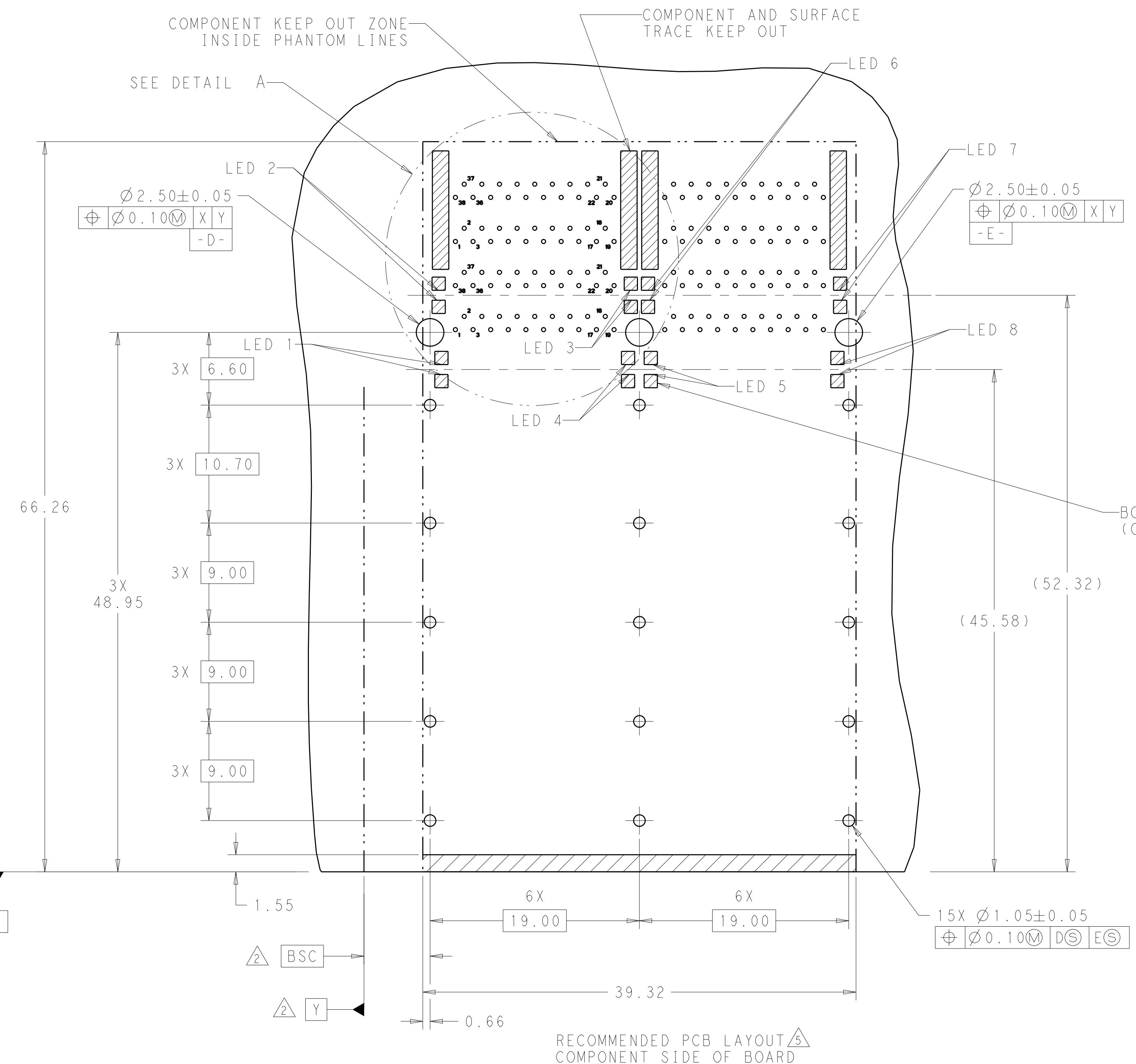
SIZE CAGE CODE DRAWING NO RESTRICTED TO  
 A1 00779C=2214574

CUSTOMER DRAWING SCALE 4:1 SHEET 1 OF 4 REV A

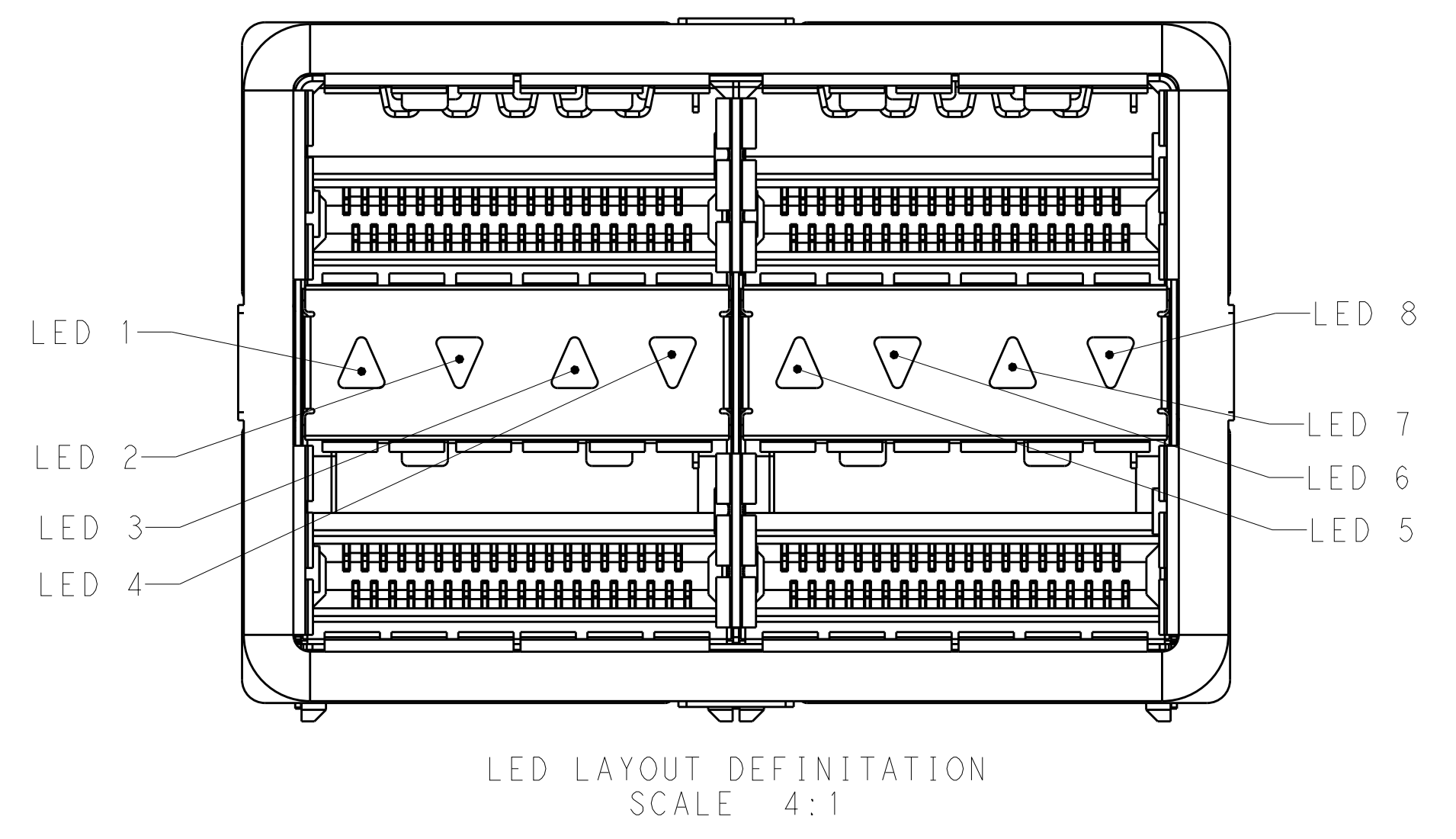
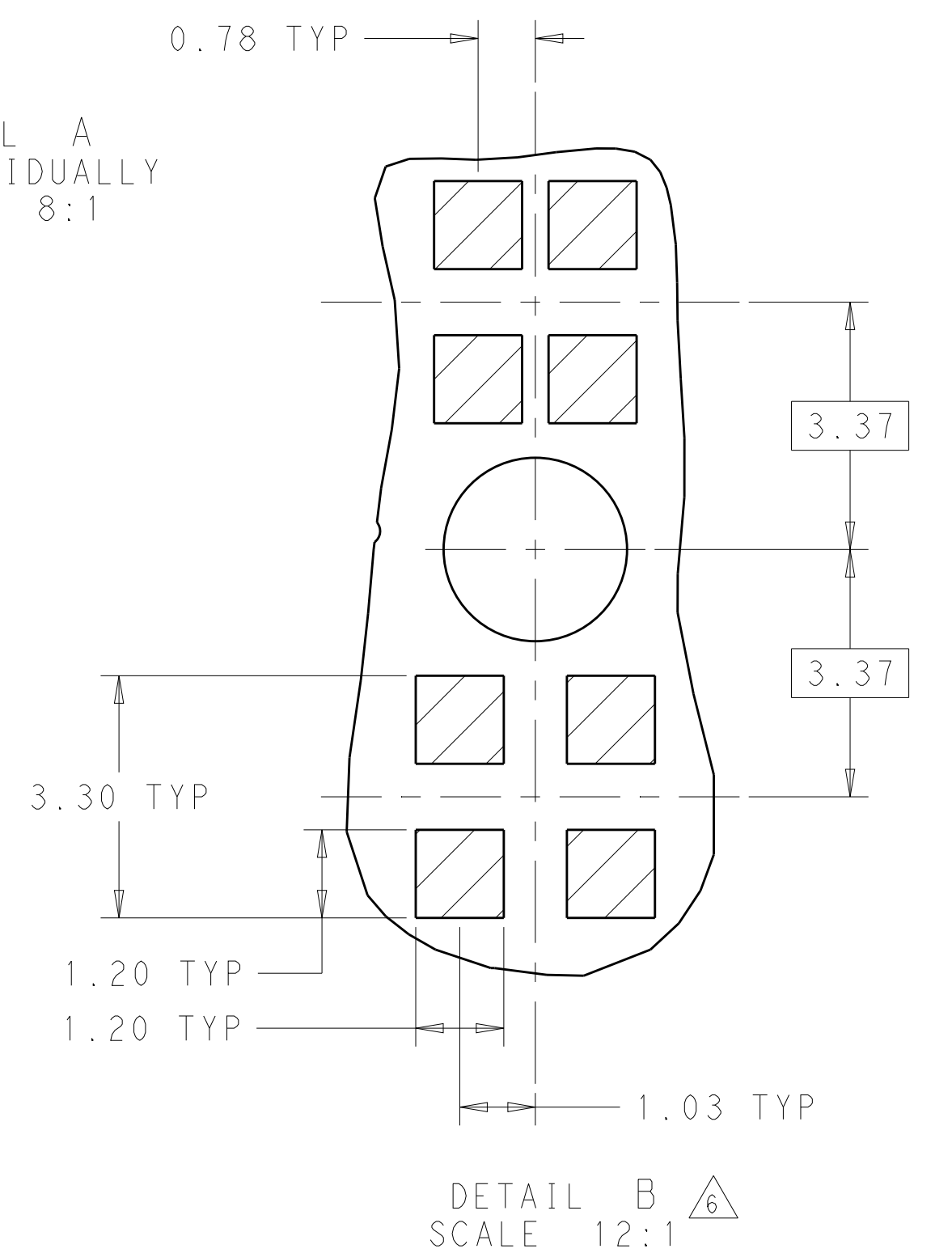


LOC	DIST	REV	DATE	APPD	REV	DATE	APPD
GP	00						

REVISIONS			
NO.	DESCRIPTION	DATE	APPD
1	SEE SHEET 1		

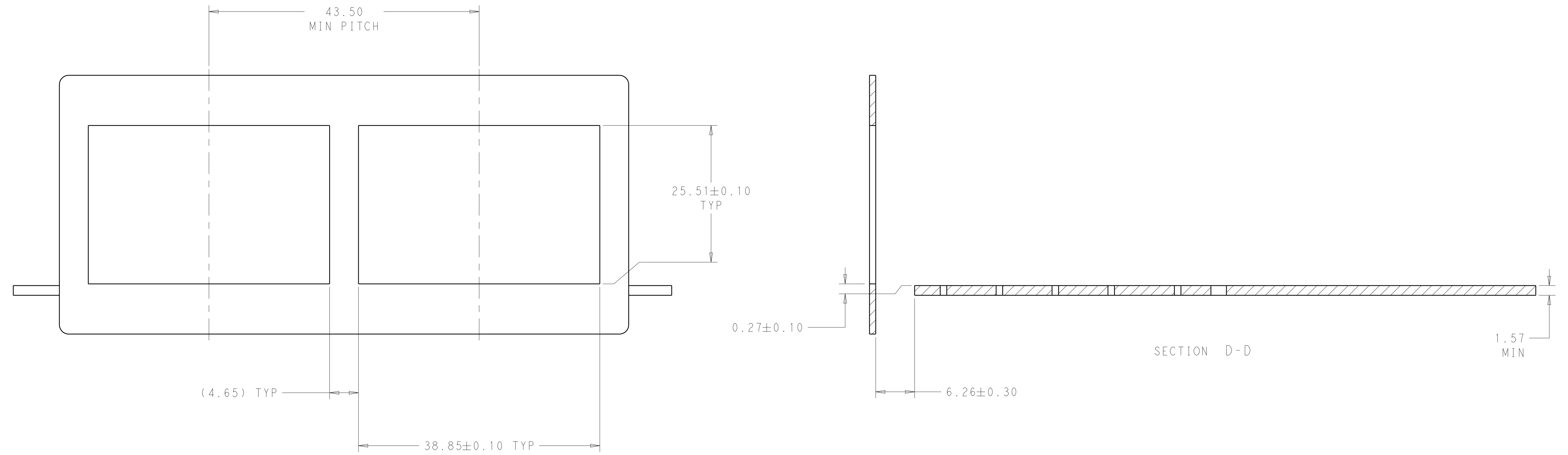


DETAIL A  
 2X INDIVIDUALLY  
 SCALE 8:1



THIS DRAWING IS A CONTROLLED DOCUMENT.		OWN: ROBERT GAN 20APR2013	TE Connectivity
DIMENSIONS: mm		CHK: JASON YANG 20APR2013	
TOLERANCES UNLESS OTHERWISE SPECIFIED:		APPD: ALEY CAL 20APR2013	NAME: CAGE AND PT CONNECTOR ASSEMBLY WITH EMI GASKET, PRESS FIT, 2X2, STACKED QSFP+
0 PLC	±	PRODUCT SPEC	SIZE: CAGE CODE DRAWING NO
1 PLC	±0.05	APPLICATION SPEC	RESTRICTED TO
2 PLC	±0.05	114-32020	A1 00779C=2214574
3 PLC	±	WEIGHT	SCALE 4:1 SHEET 2 OF 4 REV A
4 PLC	±	CUSTOMER DRAWING	
ANGLES	±		
MATERIAL	FINISH		

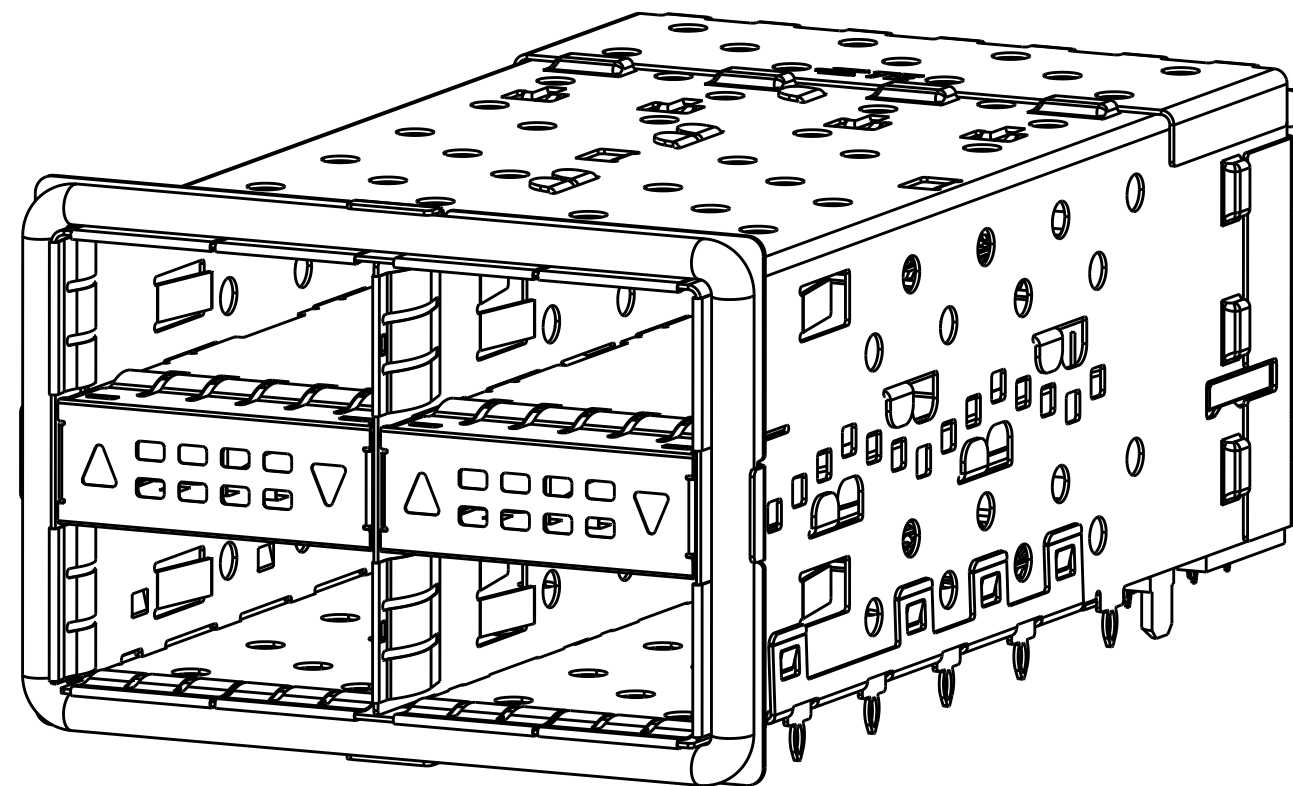
LOC	DIST	REVISIONS					
		P.	LTH	DESCRIPTION	DATE	DWN	APVD
GP	00	-	-	SEE SHEET 1	-	-	-



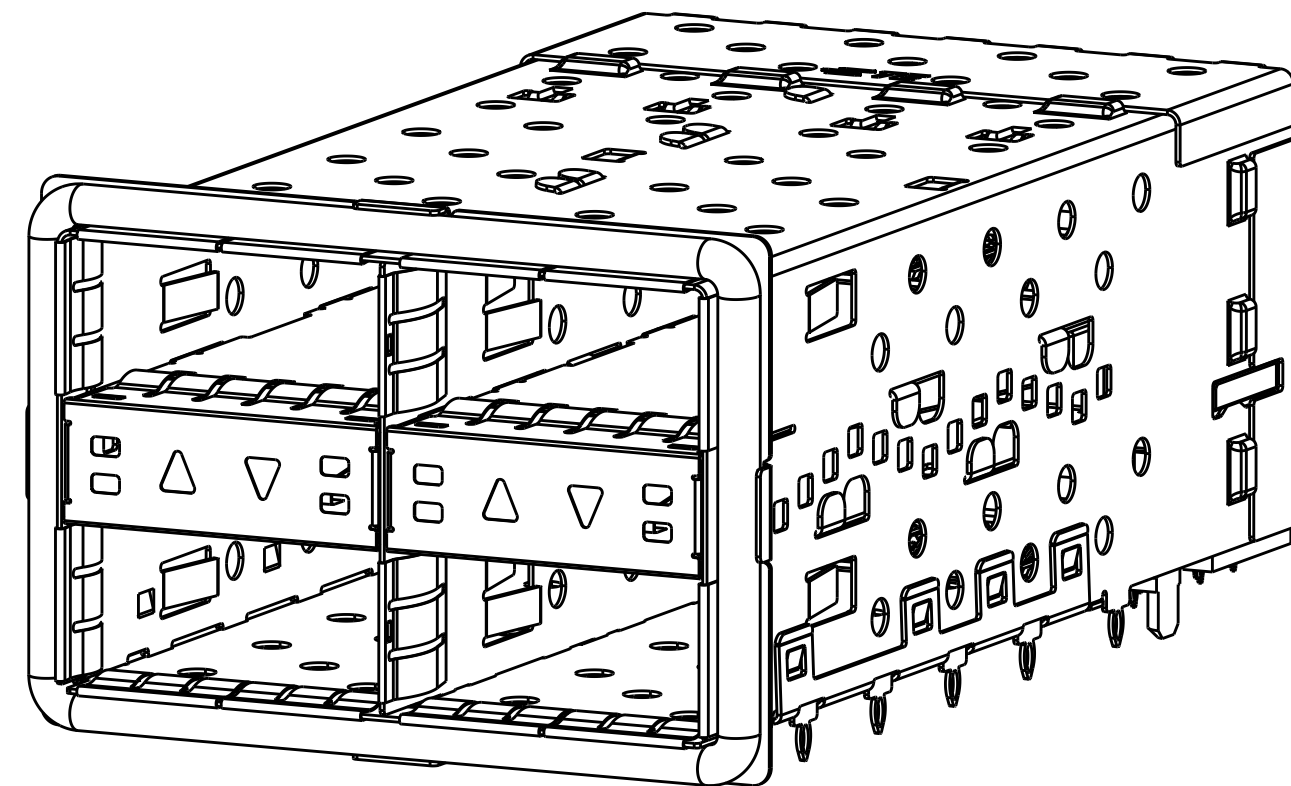
RECOMMENDED PANEL CUTOUT  
 AND PC BOARD PANEL POSITION  
 SCALE 3:1

THIS DRAWING IS A CONTROLLED DOCUMENT.		OWN	ROBERT GAN	20APR2013	
DIMENSIONS:		CHK	JASON YANG	20APR2013	
TOLERANCES UNLESS OTHERWISE SPECIFIED:		APVD	ALEX CAI	20APR2013	
mm	0 PLC ± .	NAME		CAGE AND PT CONNECTOR ASSEMBLY WITH EMI GASKET, PRESS FIT, 2X2, STACKED QSFP+	
	1 PLC ± 0.25	PRODUCT SPEC		108-127010	
	2 PLC ± 0.15	APPLICATION SPEC		114-32020	
	3 PLC ± .	SIZE		A1	
	4 PLC ± .	CAGE CODE		00779	
	ANGLES ± .	DRAWING NO		C=2214574	
MATERIAL	FINISH	WEIGHT		-	
		CUSTOMER DRAWING		SCALE 4:1 SHEET 3 OF 4 REV A	

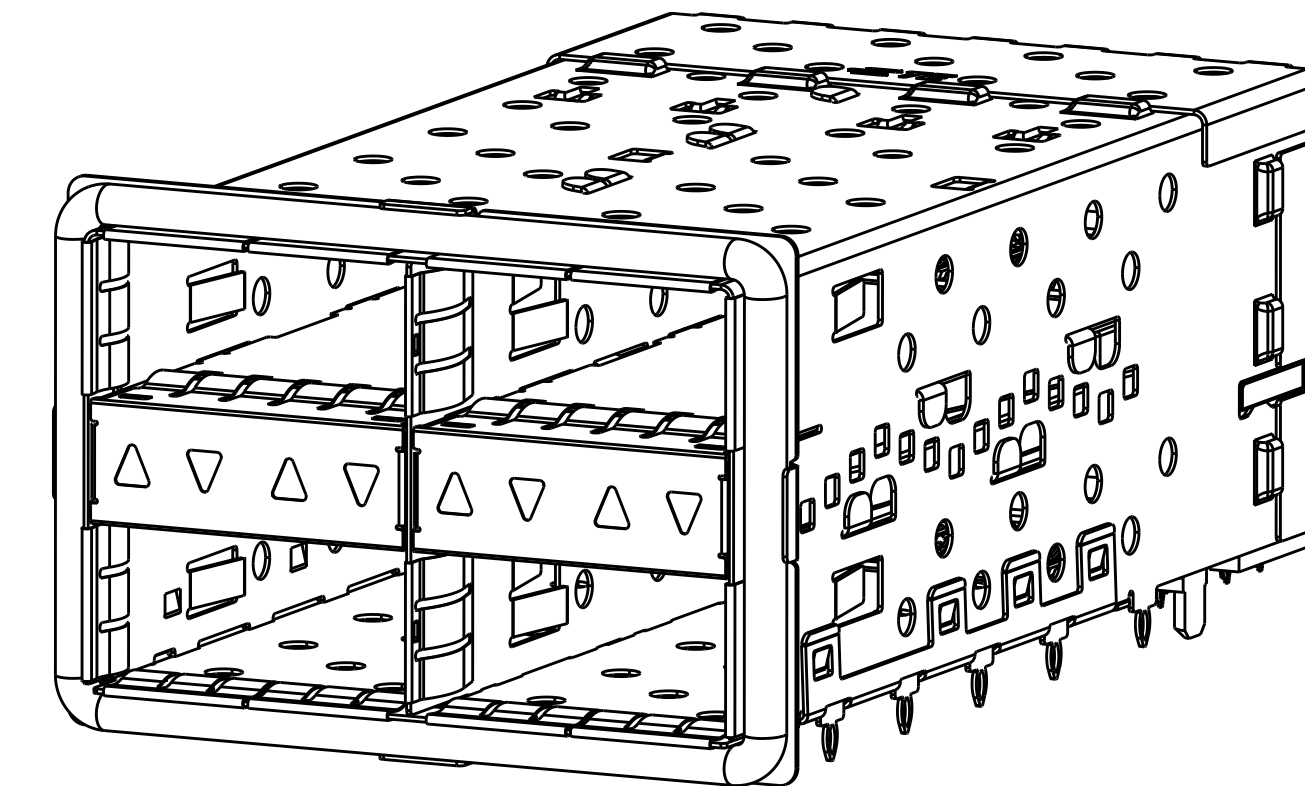
LOC		DIST		REVISIONS			
GP	00	P	LYR	DESCRIPTION	DATE	DWN	APVD
		-		SEE SHEET 1			



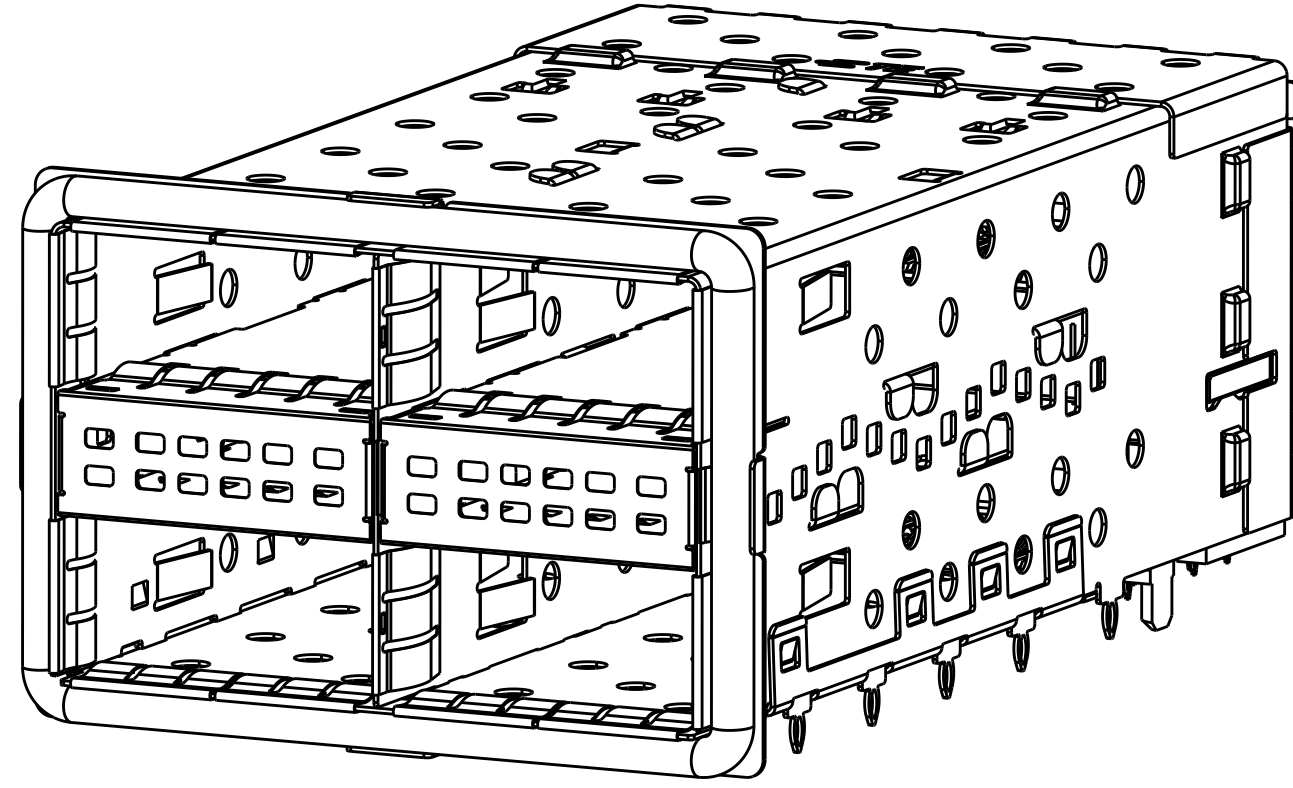
2214574-1



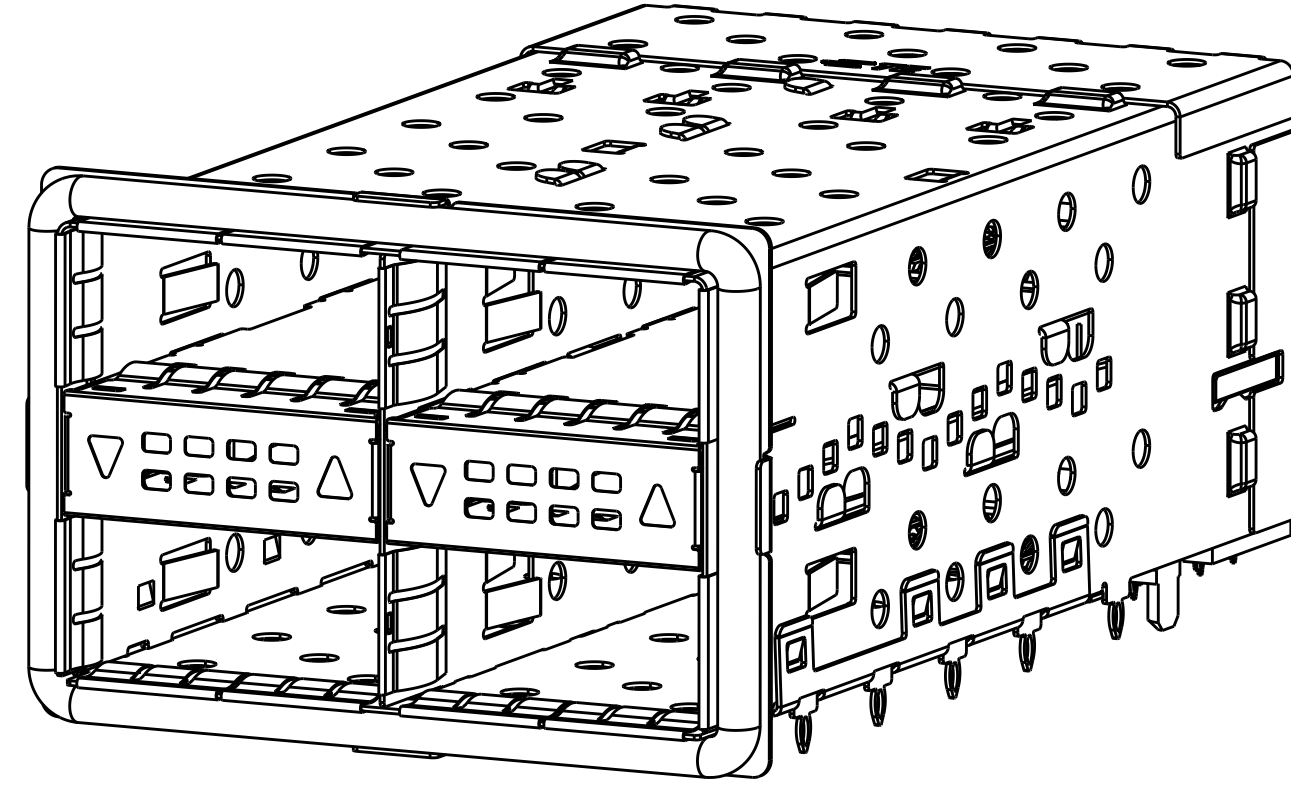
2214574-2



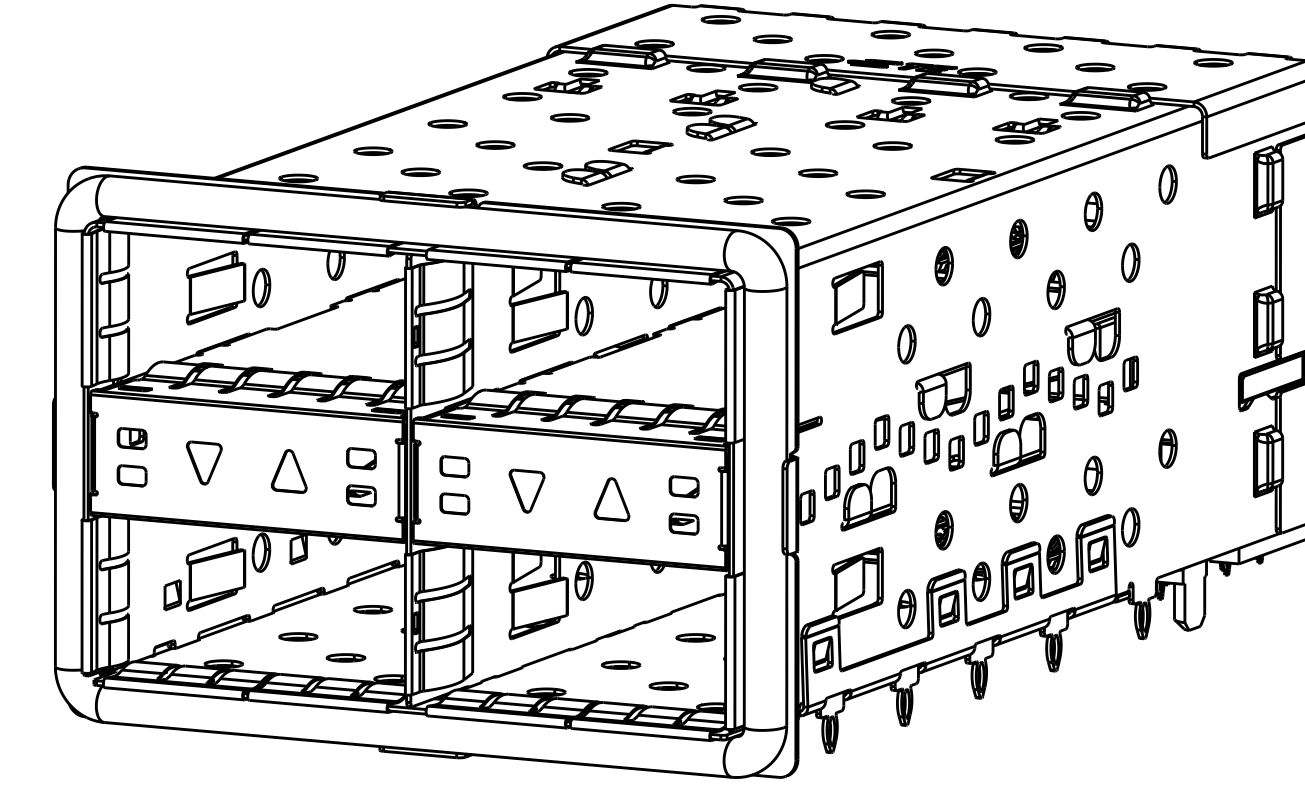
2214574-3



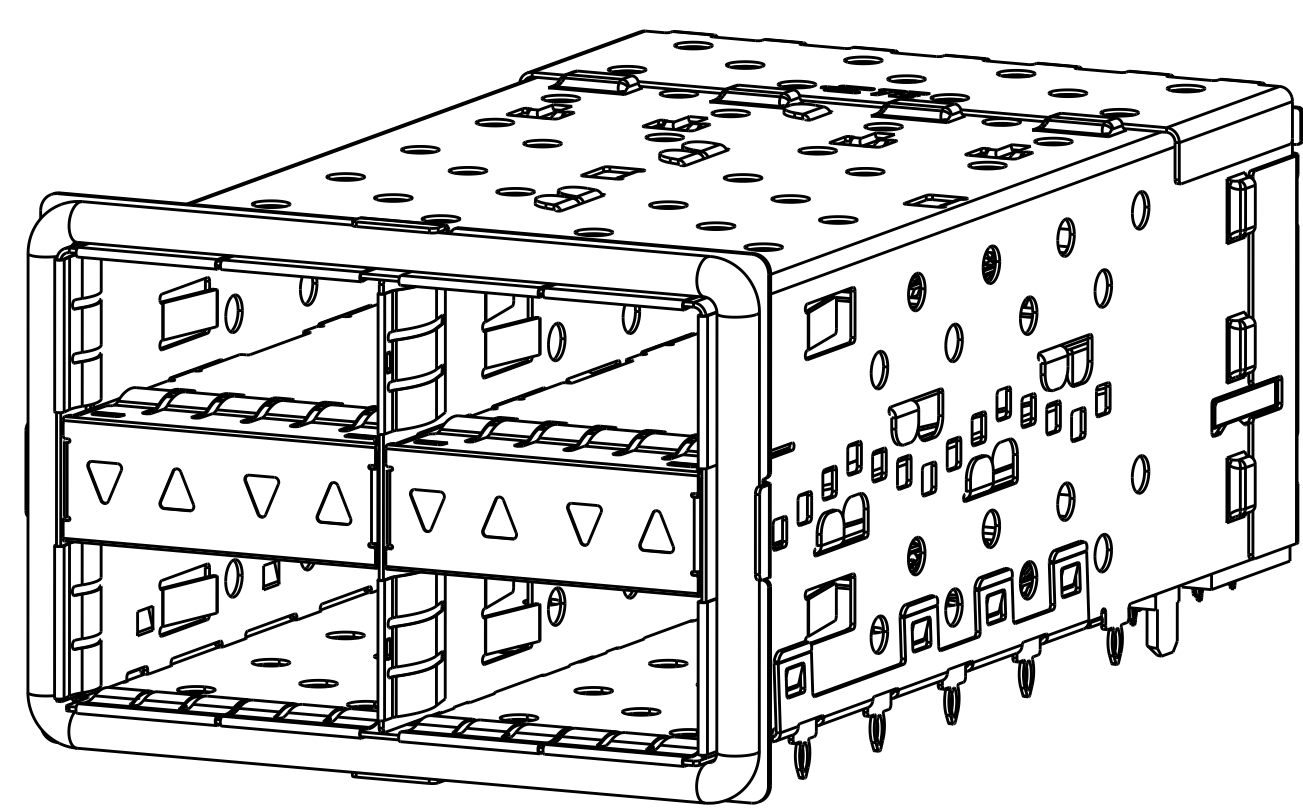
2214574-4



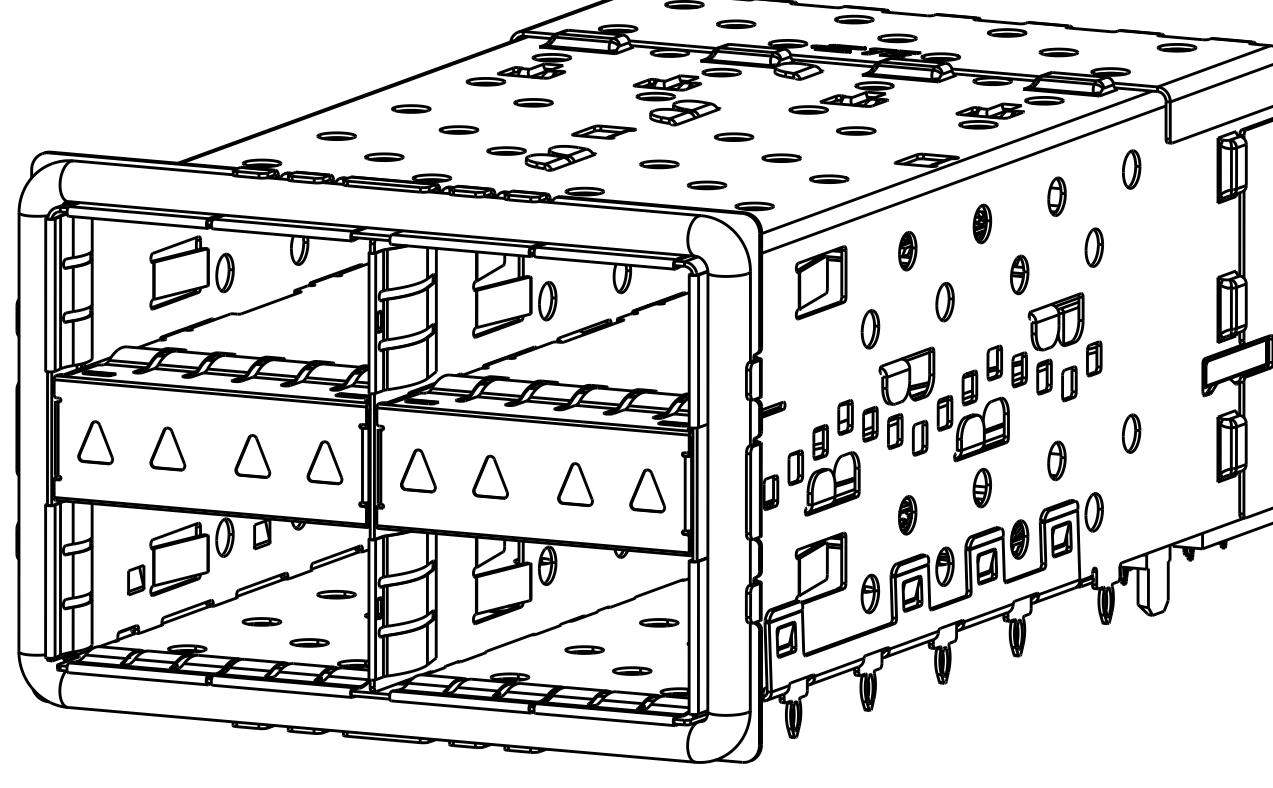
2214574-5



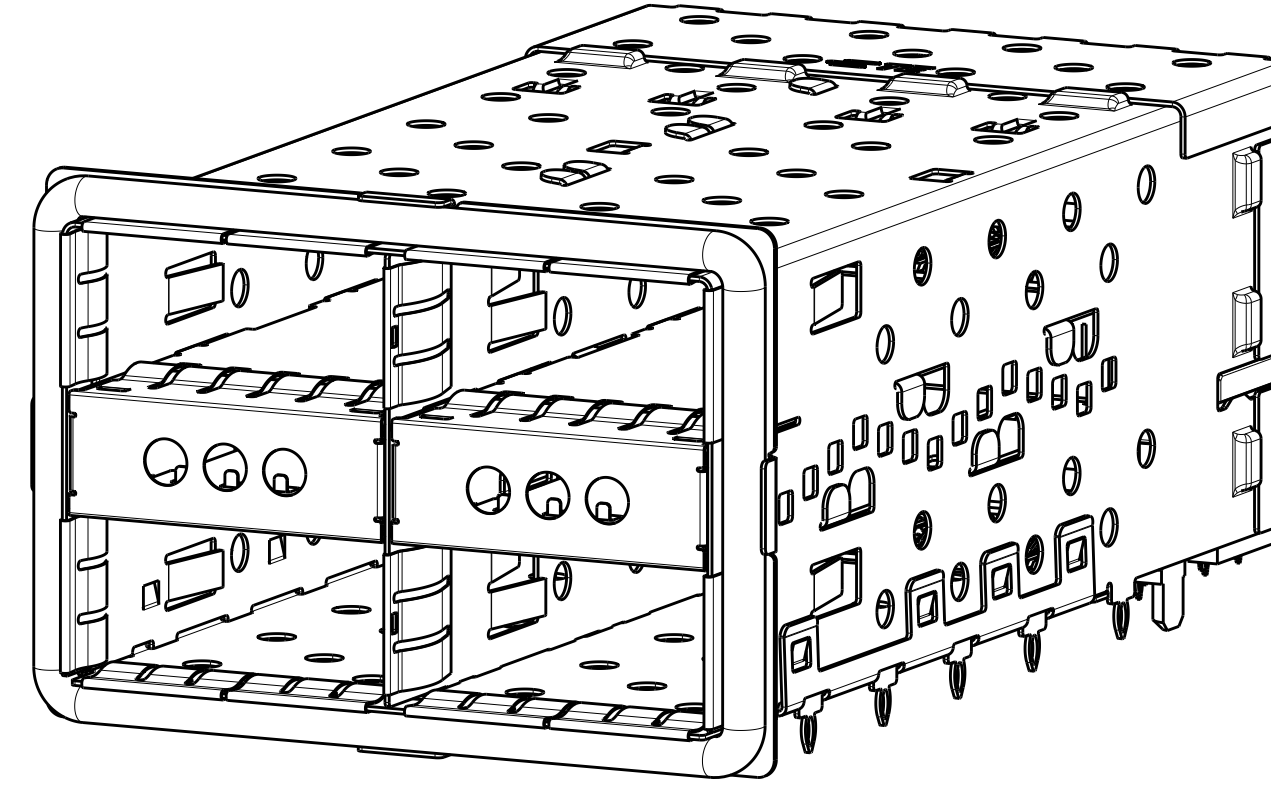
2214574-6



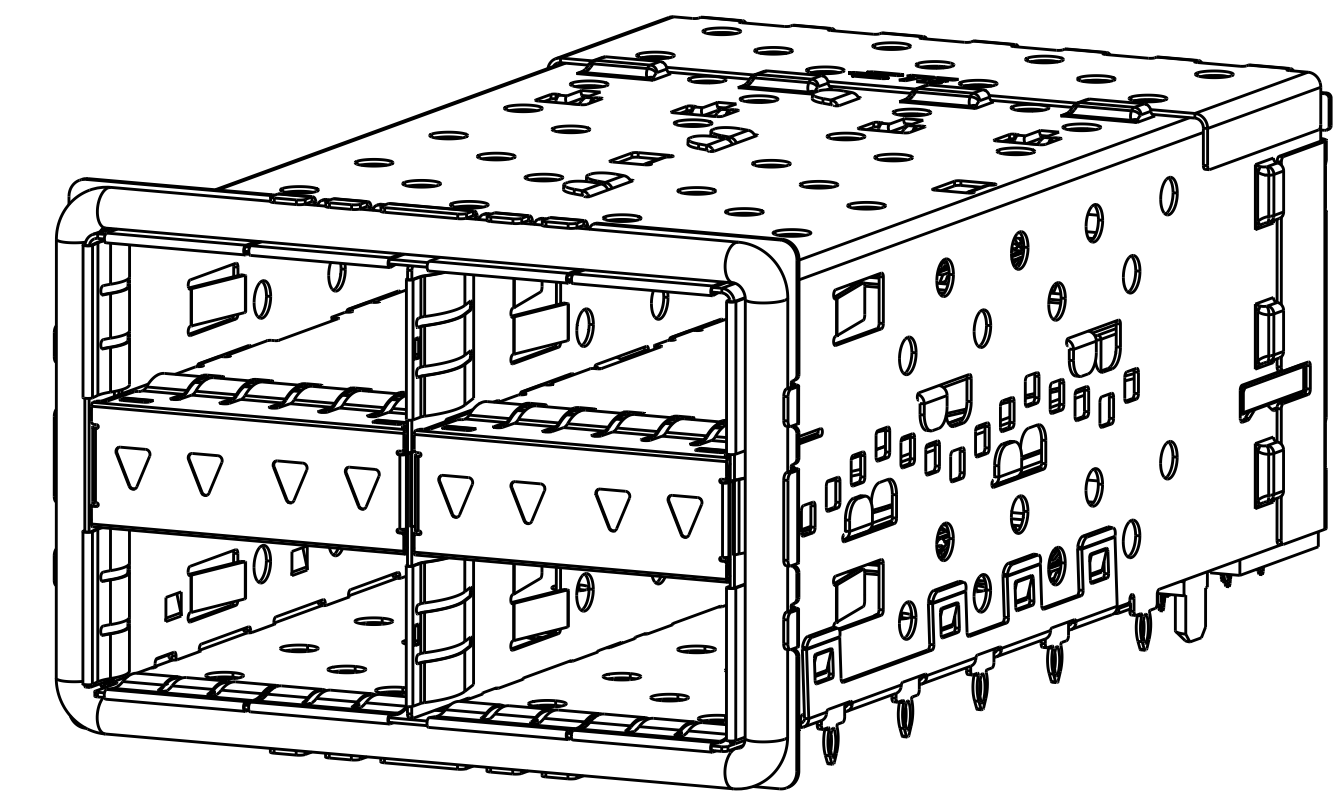
2214574-7



2214574-8



2214574-9



1-2214574-0

THIS DRAWING IS A CONTROLLED DOCUMENT.		DWN: ROBERT_GAN 20APR2013		TE Connectivity NAME: CAGE AND PT CONNECTOR ASSEMBLY WITH EMI GASKET, PRESS FIT, 2X2, STACKED QSFP+	
DIMENSIONS:		CHK: JASON YANG 20APR2013			
TOLERANCES UNLESS OTHERWISE SPECIFIED:		APVD: ALEX CAI 20APR2013		PRODUCT SPEC	
mm		0 PLC ± .		108-127010	
1 PLC ± 0.25		2 PLC ± 0.15		APPLICATION SPEC	
3 PLC ± .		4 PLC ± .		SIZE: CAGE CODE DRAWING NO	
ANGLES ± .		FINISH		RESTRICTED TO	
MATERIAL		WEIGHT		A1 00779C=2214574	
		CUSTOMER DRAWING		SCALE: 4:1 SHEET 4 OF 4 REV A	