



Chipsmall Limited consists of a professional team with an average of over 10 year of expertise in the distribution of electronic components. Based in Hongkong, we have already established firm and mutual-benefit business relationships with customers from,Europe,America and south Asia,supplying obsolete and hard-to-find components to meet their specific needs.

With the principle of "Quality Parts,Customers Priority,Honest Operation,and Considerate Service",our business mainly focus on the distribution of electronic components. Line cards we deal with include Microchip,ALPS,ROHM,Xilinx,Pulse,ON,Everlight and Freescale. Main products comprise IC,Modules,Potentiometer,IC Socket,Relay,Connector.Our parts cover such applications as commercial,industrial, and automotives areas.

We are looking forward to setting up business relationship with you and hope to provide you with the best service and solution. Let us make a better world for our industry!



Contact us

Tel: +86-755-8981 8866 Fax: +86-755-8427 6832

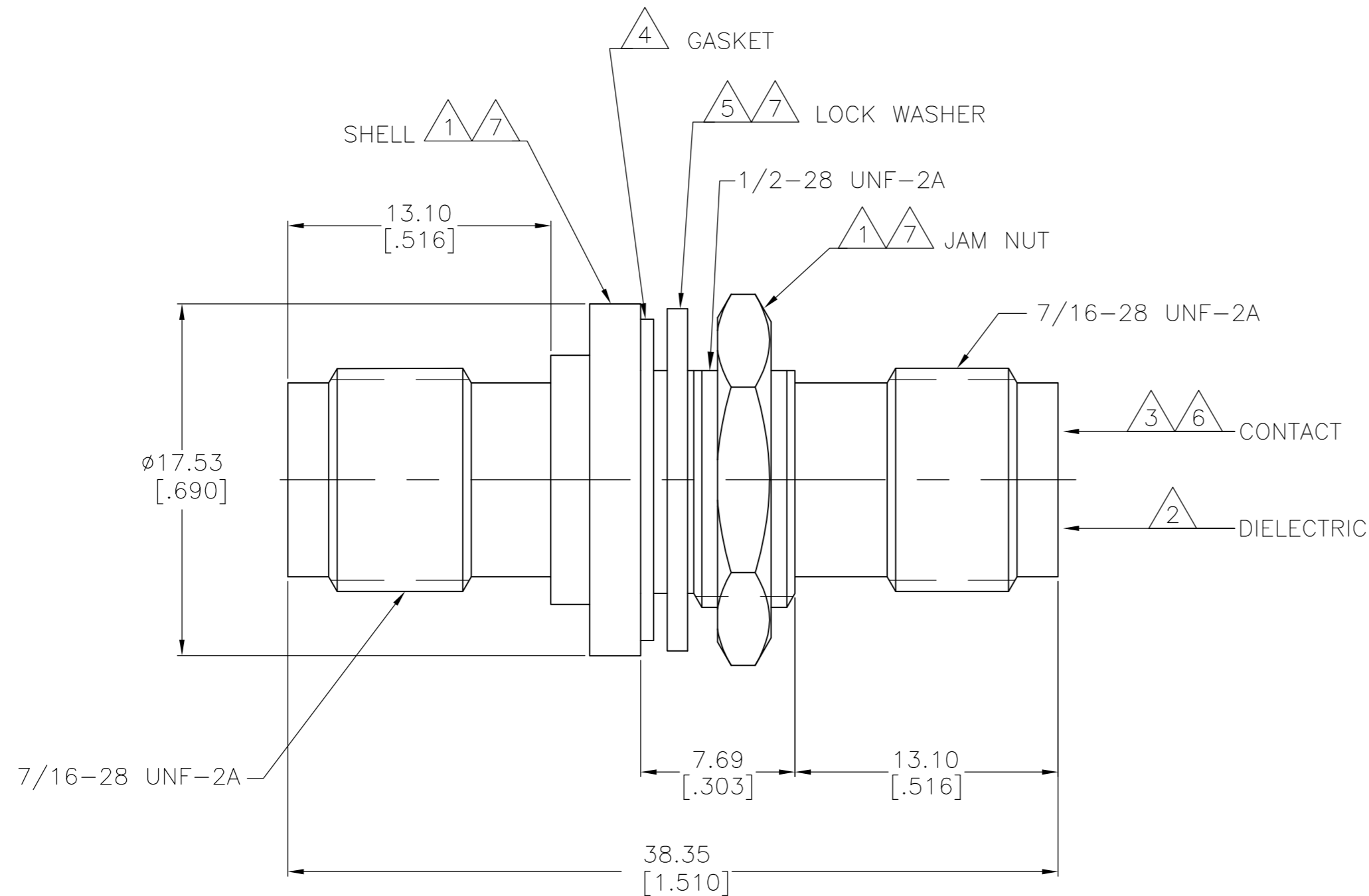
Email & Skype: info@chipsmall.com Web: www.chipsmall.com

Address: A1208, Overseas Decoration Building, #122 Zhenhua RD., Futian, Shenzhen, China

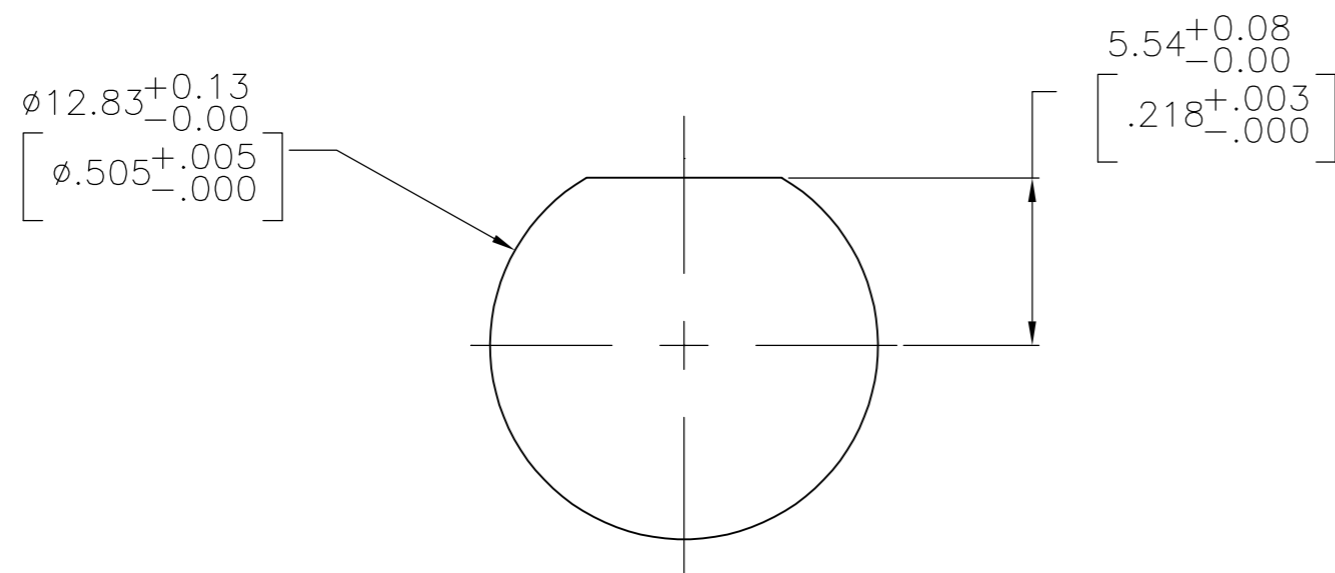


THIS DRAWING IS UNPUBLISHED. RELEASED FOR PUBLICATION
 © COPYRIGHT - By - ALL RIGHTS RESERVED.

LOC	DIST	REVISIONS					
		P	LTR	DESCRIPTION	DATE	DWN	APVD
AJ	17		D1	REVISED PER ECO-11-005030	11MAR11	RK	HMR
			E	REVISED PER ECO-12-002406	08FEB12	TITAN	MARTIN



- ① BRASS
- ② DELRIN
- ③ PHOSPHOR BRONZE
- ④ SILICONE RUBBER
- ⑤ STAINLESS STEEL
- ⑥ GOLD PLATE, 0.76µm [.000030] MINIMUM THICKNESS
- ⑦ NICKEL PLATE, 2.54µm [.000100] MINIMUM THICKNESS
- 8. GASKET TO BE RECESSED INSIDE THE MOAT
- 9. MAXIMUM PANEL THICKNESS IS 3.18 [.125]
- 10. ALL DIMENSION FOR ADAPTER ARE REFERENCE ONLY



RECOMMENDED PANEL CUTOUT

OBSOLETE 221500-1

PART NUMBER

THIS DRAWING IS A CONTROLLED DOCUMENT.		DWN MICHAEL E. COWHER 03-MAR-98	TE Connectivity																			
DIMENSIONS: mm [INCHES]		CHK MICHAEL E. COWHER 02-APR-98																				
TOLERANCES UNLESS OTHERWISE SPECIFIED:		APVD MICHAEL E. COWHER 02-APR-98	NAME JACK TO JACK, ADAPTER, BULKHEAD, TNC																			
<table border="1"> <tr><td>0 PLC</td><td>±</td><td>-</td></tr> <tr><td>1 PLC</td><td>±</td><td>-</td></tr> <tr><td>2 PLC</td><td>±</td><td>.25 [.010]</td></tr> <tr><td>3 PLC</td><td>±</td><td>-</td></tr> <tr><td>4 PLC</td><td>±</td><td>-</td></tr> <tr><td>ANGLES</td><td>±</td><td>-</td></tr> </table>		0 PLC	±	-	1 PLC	±	-	2 PLC	±	.25 [.010]	3 PLC	±	-	4 PLC	±	-	ANGLES	±	-	PRODUCT SPEC -	SIZE A2	
0 PLC	±	-																				
1 PLC	±	-																				
2 PLC	±	.25 [.010]																				
3 PLC	±	-																				
4 PLC	±	-																				
ANGLES	±	-																				
MATERIAL SEE NOTES		FINISH SEE NOTES	WEIGHT -	CAGE CODE 00779																		
		DRAWING NO C=221500		RESTRICTED TO -																		
		CUSTOMER DRAWING		SCALE 4:1																		
		SHEET 1 of 1		REV E																		