



Chipsmall Limited consists of a professional team with an average of over 10 year of expertise in the distribution of electronic components. Based in Hongkong, we have already established firm and mutual-benefit business relationships with customers from,Europe,America and south Asia,supplying obsolete and hard-to-find components to meet their specific needs.

With the principle of “Quality Parts,Customers Priority,Honest Operation,and Considerate Service”,our business mainly focus on the distribution of electronic components. Line cards we deal with include Microchip,ALPS,ROHM,Xilinx,Pulse,ON,Everlight and Freescale. Main products comprise IC,Modules,Potentiometer,IC Socket,Relay,Connector.Our parts cover such applications as commercial,industrial, and automotives areas.

We are looking forward to setting up business relationship with you and hope to provide you with the best service and solution. Let us make a better world for our industry!



## Contact us

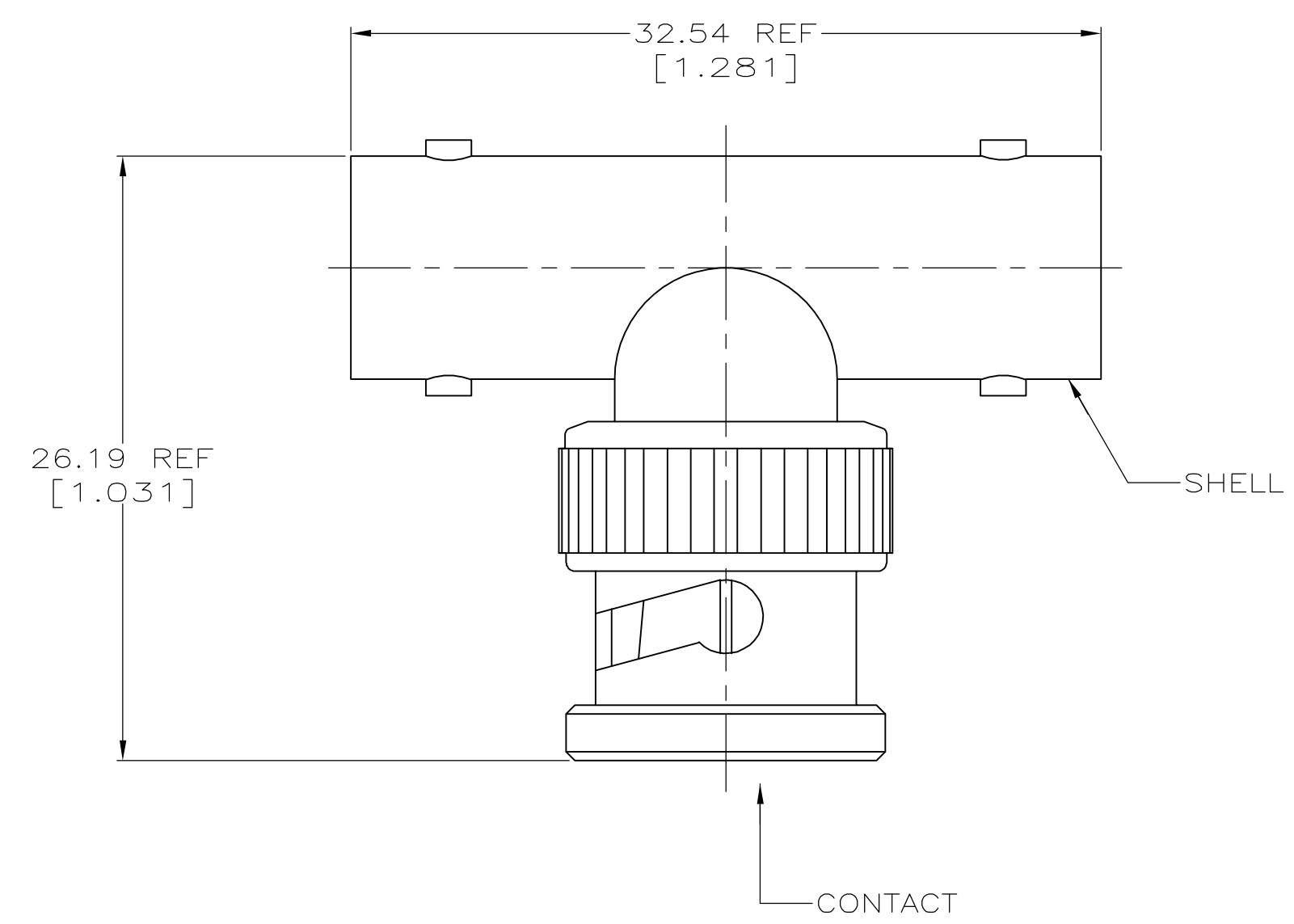
Tel: +86-755-8981 8866 Fax: +86-755-8427 6832

Email & Skype: info@chipsmall.com Web: www.chipsmall.com

Address: A1208, Overseas Decoration Building, #122 Zhenhua RD., Futian, Shenzhen, China



LOC	DIST	REVISIONS					
AJ	16	P	LTR	DESCRIPTION	DATE	DWN	APVD
		F		REVISED PER EC OS14-0456-04	09MAY05	BM	JL



1. COMPARABLE TO UG/U CONNECTOR 274A
2. PART MAY BE INNER-MATED WITH PRODUCT PER MIL-C-39012
- 3 MATERIAL:  
 DIELECTRIC: PTFE  
 JACK, CENTER CONTACT: BERYLLIUM COPPER  
 JACK, OUTER CONTACT: BRASS  
 PLUG, CENTER CONTACT: BRASS  
 PLUG, OUTER CONTACT: BRASS
- 4 GOLD PLATING PER MIL-G-45204, 0.76μm [.000030] MIN THICKNESS
- 5 NICKEL PLATING PER QQ-N-290, 2.54μm [.000100] MIN THICKNESS
- 6 SILVER PLATING PER QQ-S-365, 5.08μm [.000200] MIN THICKNESS
- 7 SEE SEPARATE RESTRICTED CUSTOMER DRAWING WITH THIS PN
- 8 SAME AS 221543-2 EXCEPT PACKAGED 5 PER BOX

8 OBSOLETE	4	5	221543-9
7	-	-	221543-8
7	-	-	221543-7
SUPERSEDED BY 221543-2	4	6	221543-3
	4	5	221543-2
SUPERSEDED BY 413592-4	6	5	221543-1
	CONTACT	SHELL	PART NUMBER
	FINISH		

THIS DRAWING IS A CONTROLLED DOCUMENT.		DWN M.E. COWHER 5-10-91	Tyco Electronics Corporation Harrisburg, Pa 17105-3608	
DIMENSIONS: mm [INCHES]		CHK J. LIPPERT 5-24-91	APVD -	
TOLERANCES UNLESS OTHERWISE SPECIFIED:		NAME T-ADAPTER, SERIES BNC		
0 PLC ± -		PRODUCT SPEC -		
1 PLC ± -		APPLICATION SPEC -		
2 PLC ± -		SIZE A2		
3 PLC ± -		CAGE CODE 00779		
4 PLC ± -		DRAWING NO G-221543		
ANGLES ± ± -		RESTRICTED TO -		
FINISH		WEIGHT -		
3		CUSTOMER DRAWING		
4 5 6		SCALE 4:1 SHEET 1 OF 1 REV F		