



Chipsmall Limited consists of a professional team with an average of over 10 year of expertise in the distribution of electronic components. Based in Hongkong, we have already established firm and mutual-benefit business relationships with customers from,Europe,America and south Asia,supplying obsolete and hard-to-find components to meet their specific needs.

With the principle of “Quality Parts,Customers Priority,Honest Operation,and Considerate Service”,our business mainly focus on the distribution of electronic components. Line cards we deal with include Microchip,ALPS,ROHM,Xilinx,Pulse,ON,Everlight and Freescale. Main products comprise IC,Modules,Potentiometer,IC Socket,Relay,Connector.Our parts cover such applications as commercial,industrial, and automotives areas.

We are looking forward to setting up business relationship with you and hope to provide you with the best service and solution. Let us make a better world for our industry!



Contact us

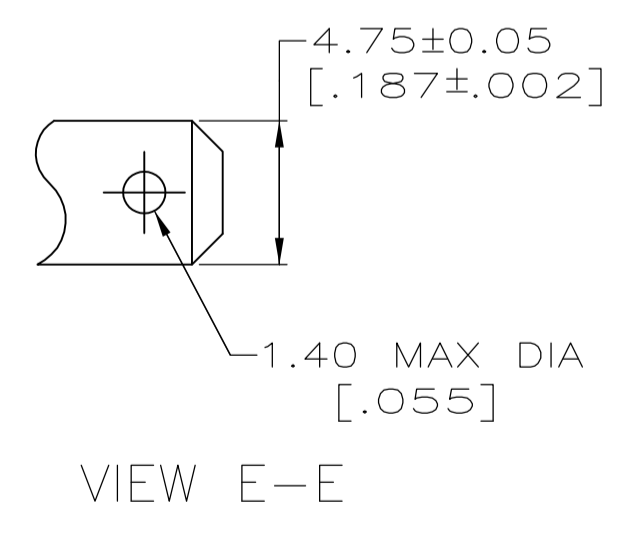
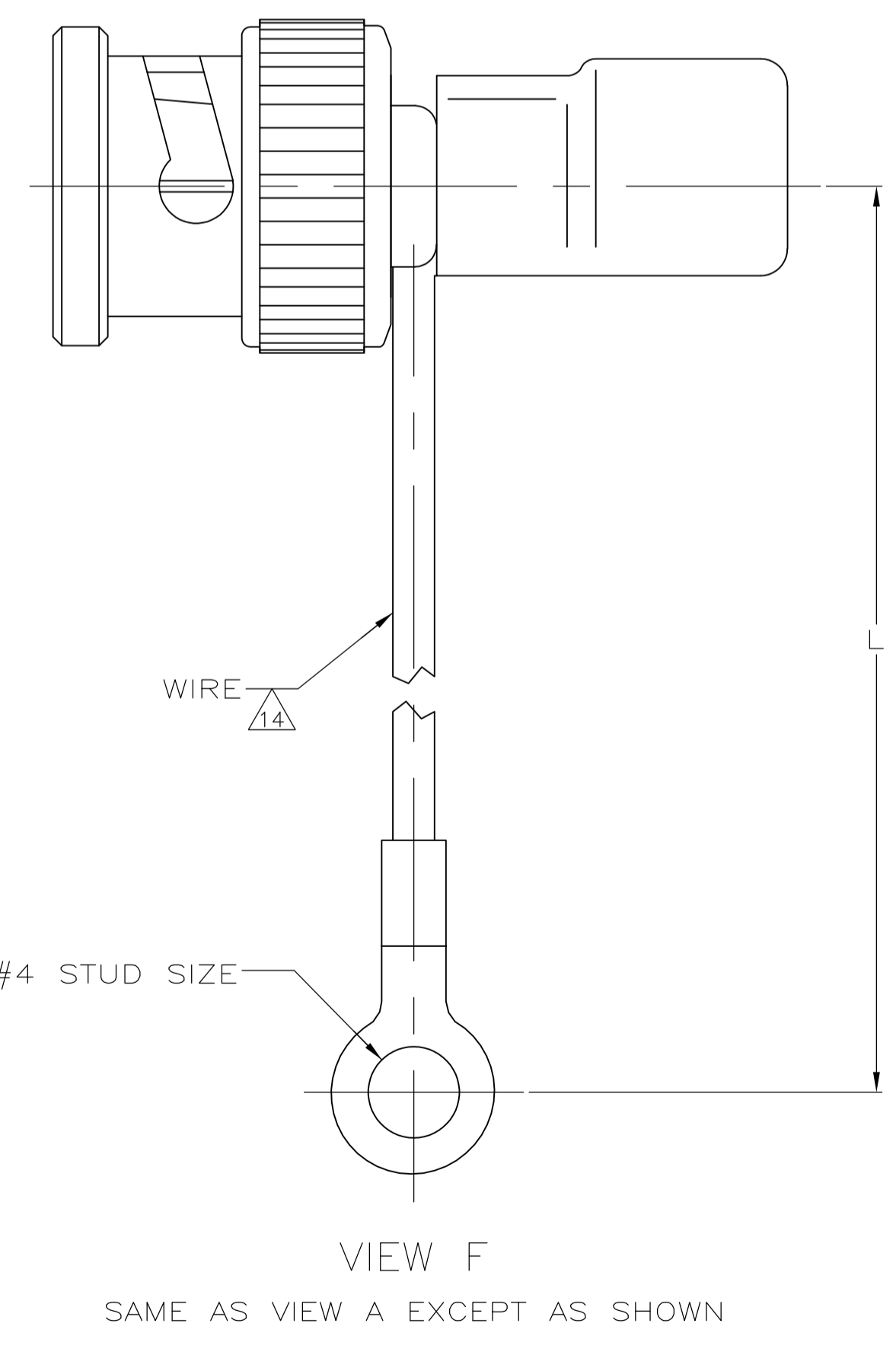
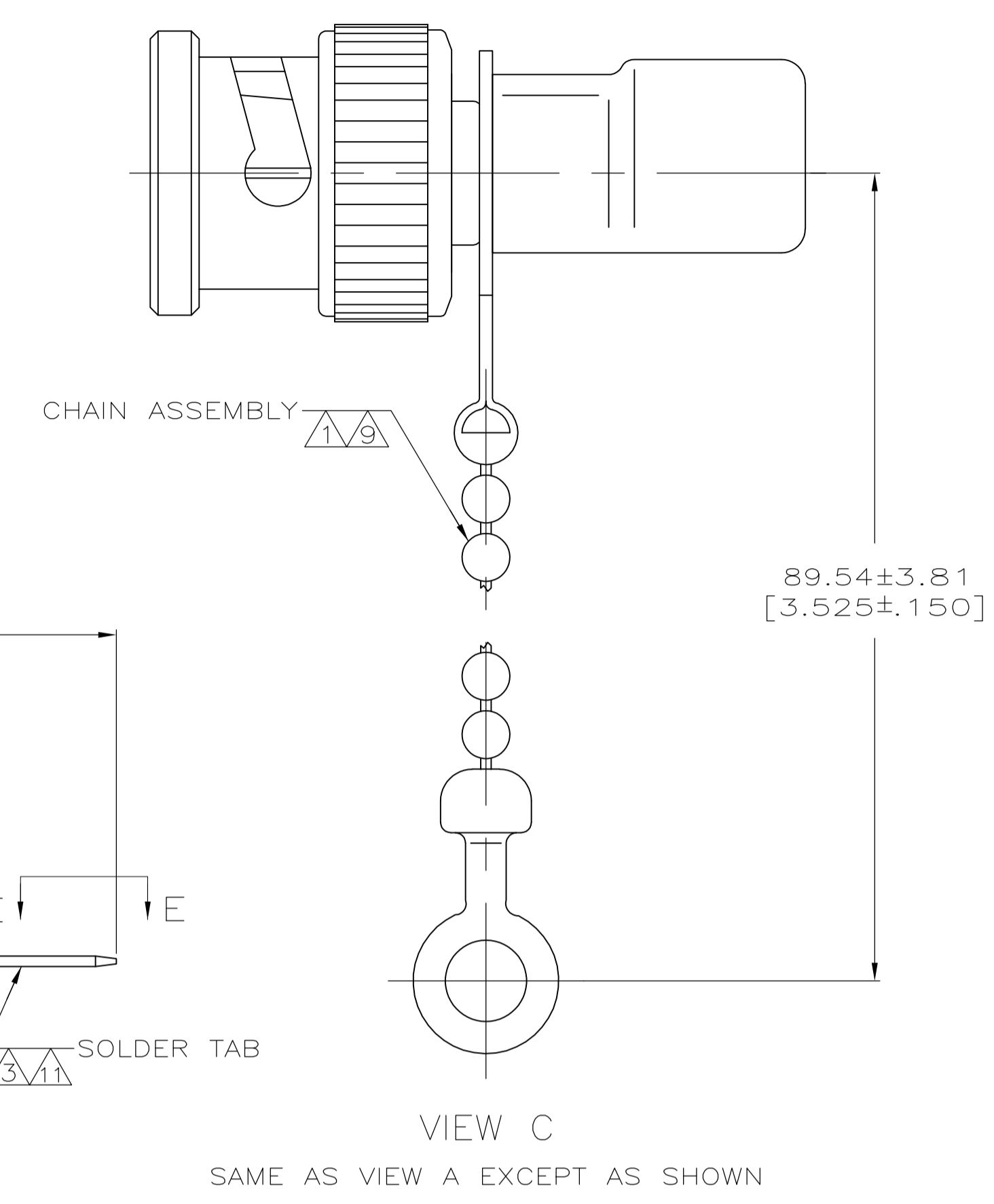
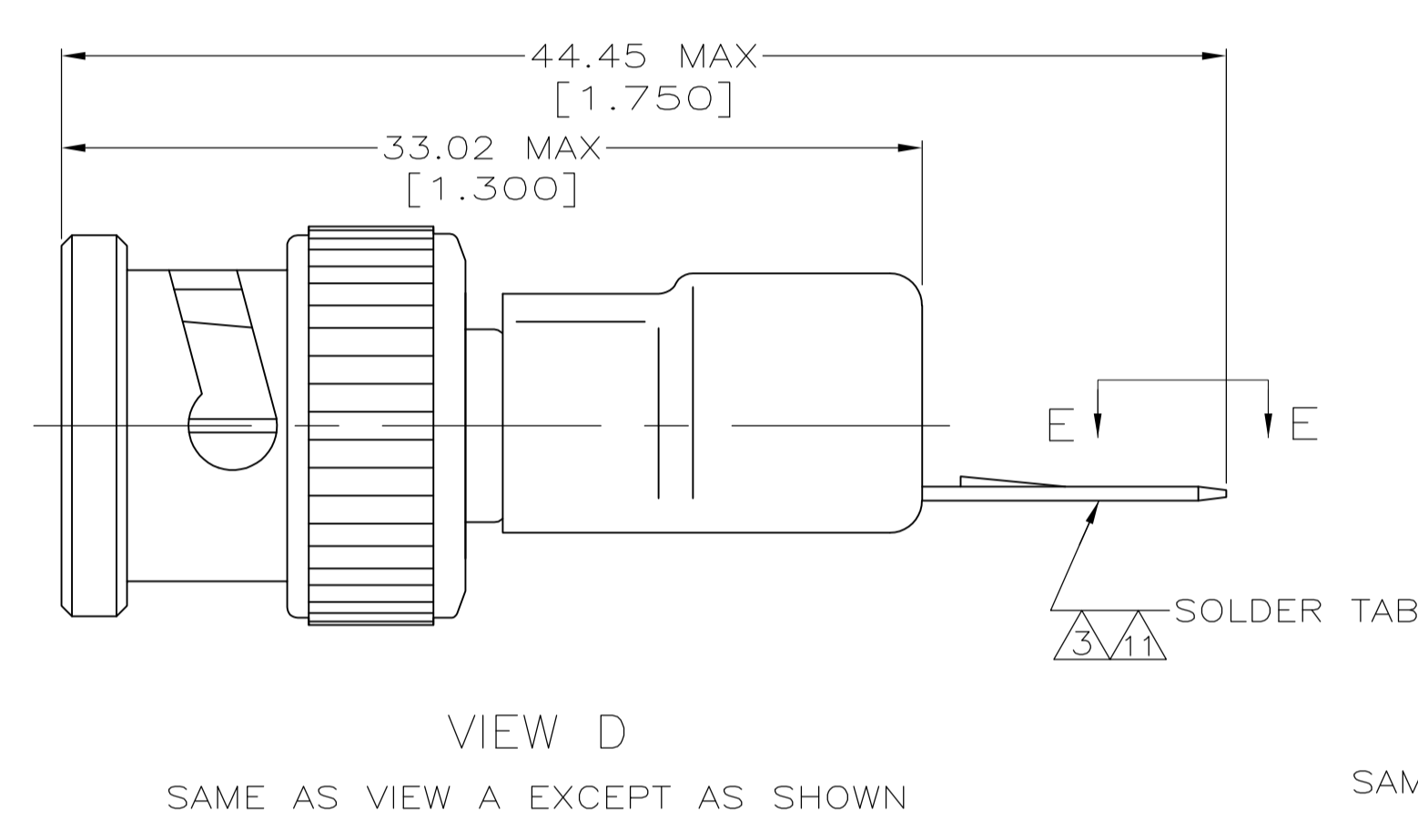
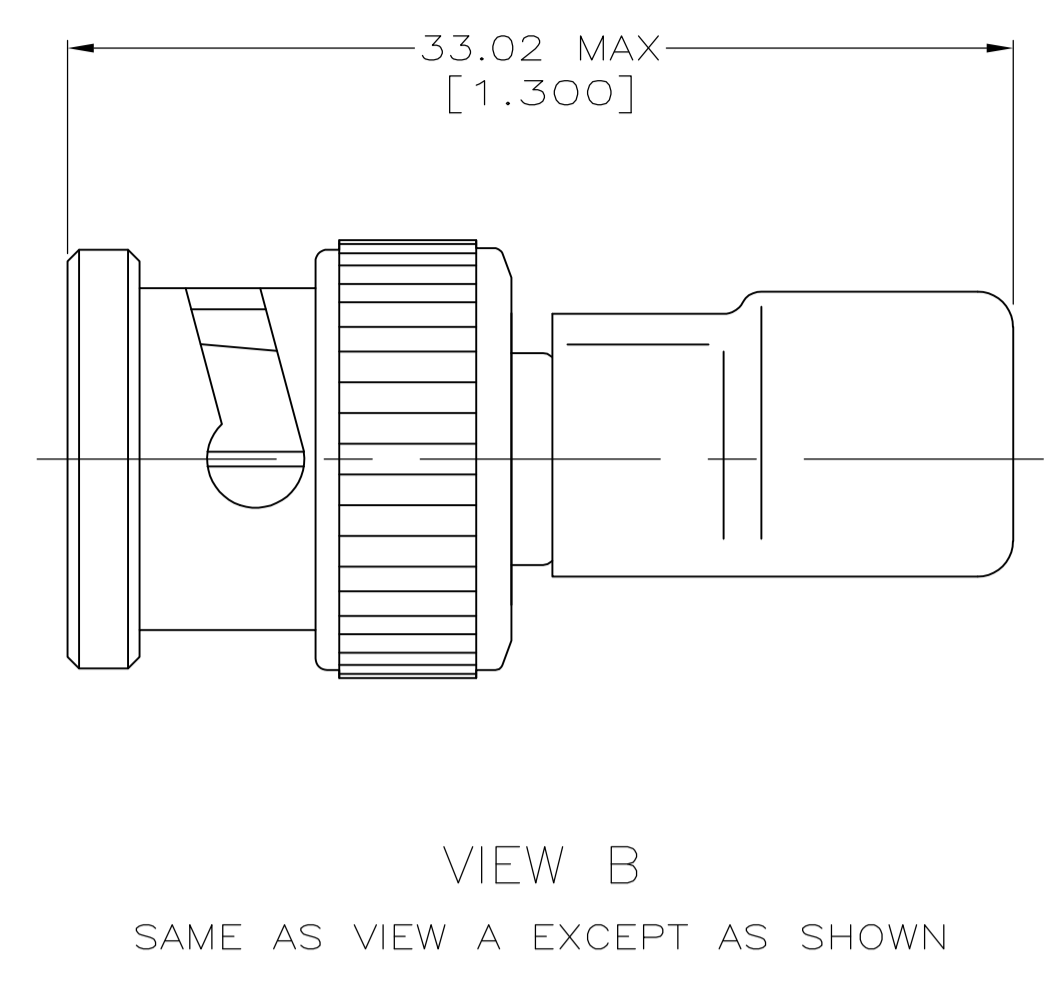
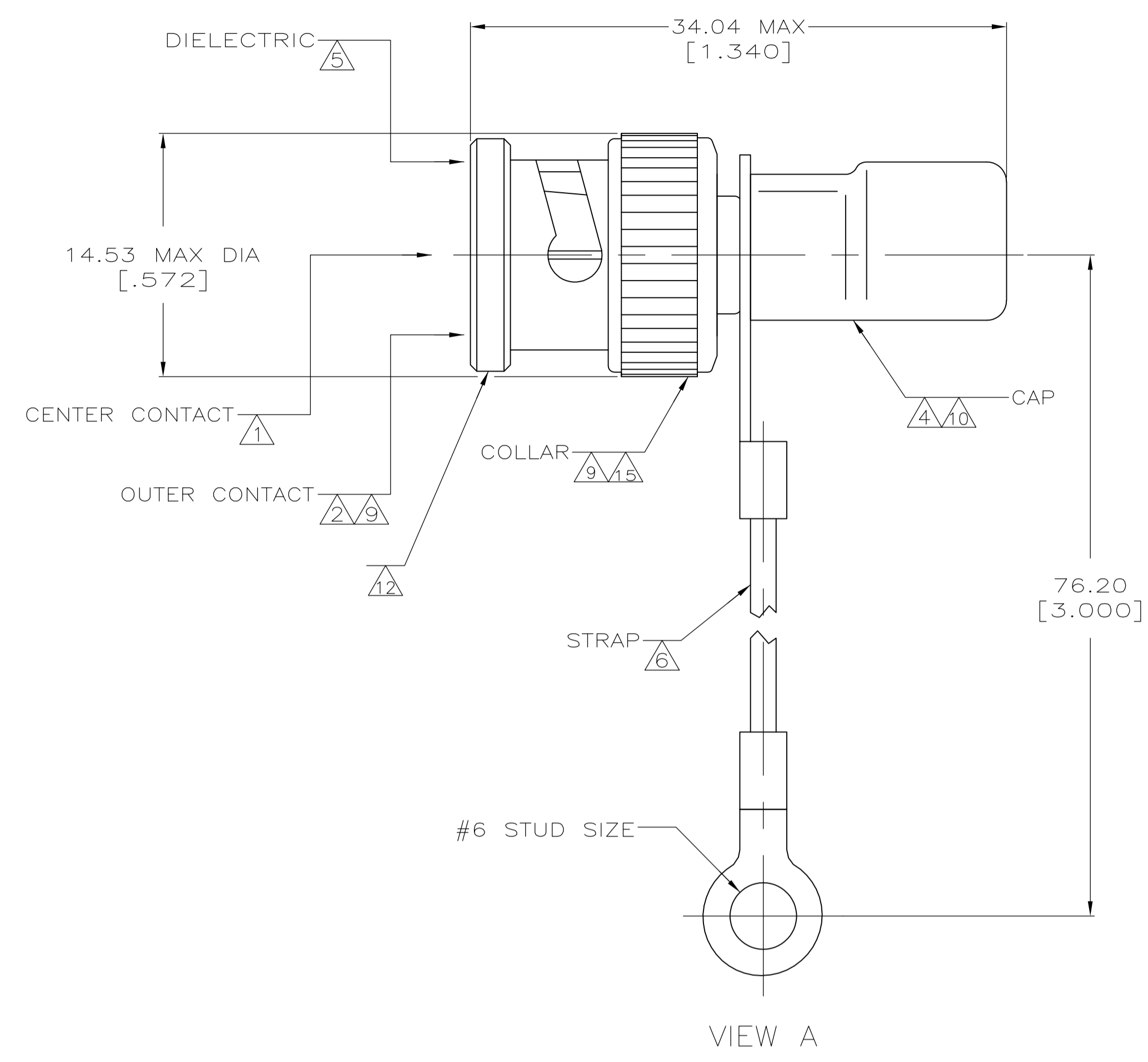
Tel: +86-755-8981 8866 Fax: +86-755-8427 6832

Email & Skype: info@chipsmall.com Web: www.chipsmall.com

Address: A1208, Overseas Decoration Building, #122 Zhenhua RD., Futian, Shenzhen, China



REVISONS		DATE	BY	APP'D
AE2	REVISED PER ECO-11-005030	11MAR11	RK	HMR



- 1 BRASS PER QQ-B-626.
- 2 BRASS PER MIL-C-21768.
- 3 BRASS PER MIL-C-50.
- 4 COPPER PER QQ-C-576.
- 5 POLYETHYLENE PER LP-390.
- 6 POLYESTER PER MIL-T-43435, COLOR NATURAL.
- 7 GOLD PLATE PER MIL-G-45204, 0.76 μm [.000030] MINIMUM THICK.
- 8 SILVER PLATE PER QQ-S-365, 2.54 μm [.000100] MINIMUM THICK.
- 9 NICKEL PLATE PER QQ-N-290, 1.27 μm [.000050] MINIMUM THICK.
- 10 TIN PLATE PER ASTM B 545, 2.54 μm [.000100] MIN THICK.
- 11 TIN PLATE PER ASTM B 545, 3.81 μm [.000150] MINIMUM THICK.
- 12 VALUE MARKED ON CONNECTOR BODY AS SHOWN. (SEE TABLE)
- 13 SEE SEPARATE RESTRICTED CUSTOMER DRAWING WITH THIS PART NUMBER.
- 14 16 GAUGE INSULATED GROUND WIRE.
- 15 ZINC PER QQ-Z-363

RESISTOR SPECIFICATIONS	WATT	TOLERANCE	OHM	MARKING	L	CENTER CONTACT PLATING	VIEW	PART NUMBER
OBSOLETE	1	1%	50	50Ω 1W	-	△	B	9-221629-1
OBSOLETE	1	1%	50	50Ω 1W	-	△	A	9-221629-0
OBSOLETE	-	1%	50	50Ω 1W	2999.99±25.40 [118.11±1.00]	△	F	2-221629-2
OBSOLETE	-	-	-	-	-	-	-	2-221629-1
OBSOLETE	-	-	-	-	-	-	-	2-221629-0
OBSOLETE	-	-	-	-	-	-	-	1-221629-9
OBSOLETE	1	1%	50	50Ω 1W	-	△	B	1-221629-8
OBSOLETE	1	1%	50	50Ω 1W	85.85±2.03 [3.380±.080]	△	F	1-221629-6
OBSOLETE	1	1%	50	-	-	△	D	1-221629-2
OBSOLETE	.5	1%	75	75Ω .5W	-	△	C	1-221629-1
OBSOLETE	1	1%	50	50Ω 1W	-	△	B	221629-9
OBSOLETE	1	1%	50	50Ω 1W	-	△	B	221629-8
OBSOLETE	.5	5%	100	100Ω .5W	-	△	B	221629-7
OBSOLETE	1	1%	93	93Ω 1W	-	△	B	221629-6
OBSOLETE	1	1%	75	75Ω 1W	-	△	B	221629-5
OBSOLETE	1	1%	50	50Ω 1W	-	△	B	221629-4
OBSOLETE	1	1%	93	93Ω 1W	-	△	A	221629-3
OBSOLETE	1	1%	75	75Ω 1W	-	△	A	221629-2
OBSOLETE	1	1%	50	50Ω 1W	-	△	A	221629-1

THIS DRAWING IS A CONTROLLED DOCUMENT.

DIMENSIONS: mm [INCHES]	TOLERANCES UNLESS OTHERWISE SPECIFIED:	DIN 9-22-90	J. LIPPERT
0 PLC ± -	1 PLC ± -	9-28-90	R. E. RUTH
2 PLC ± 3.18 [125]	3 PLC ± -	10-1-90	M. PHILLIPS
4 PLC ± -	ANGLES ± -		

MATERIAL: - FINISH: -

WEIGHT: -

CUSTOMER DRAWING

SCALE: 4:1 SHEET 1 OF 1 REV AE2

STE TE Connectivity

TERMINATOR, PLUG, COMMERCIAL BNC

SIZE: A1 CAGE CODE: 00779 DRAWING NO: 221629