



Chipsmall Limited consists of a professional team with an average of over 10 year of expertise in the distribution of electronic components. Based in Hongkong, we have already established firm and mutual-benefit business relationships with customers from,Europe,America and south Asia,supplying obsolete and hard-to-find components to meet their specific needs.

With the principle of “Quality Parts,Customers Priority,Honest Operation,and Considerate Service”,our business mainly focus on the distribution of electronic components. Line cards we deal with include Microchip,ALPS,ROHM,Xilinx,Pulse,ON,Everlight and Freescale. Main products comprise IC,Modules,Potentiometer,IC Socket,Relay,Connector.Our parts cover such applications as commercial,industrial, and automotives areas.

We are looking forward to setting up business relationship with you and hope to provide you with the best service and solution. Let us make a better world for our industry!



Contact us

Tel: +86-755-8981 8866 Fax: +86-755-8427 6832

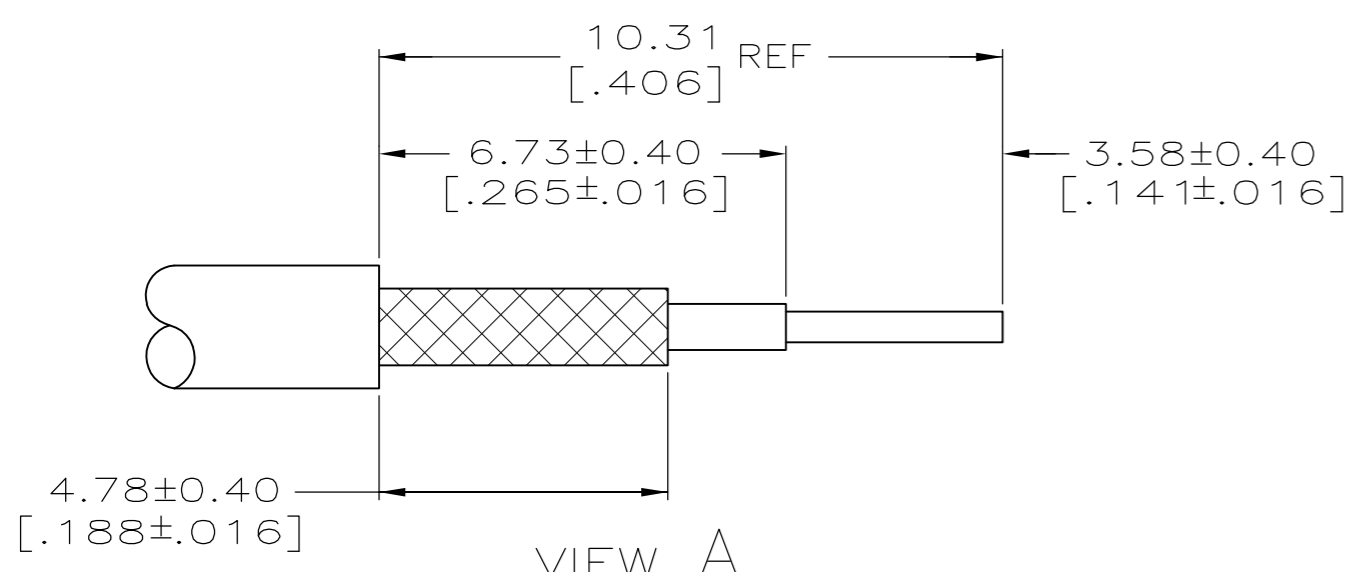
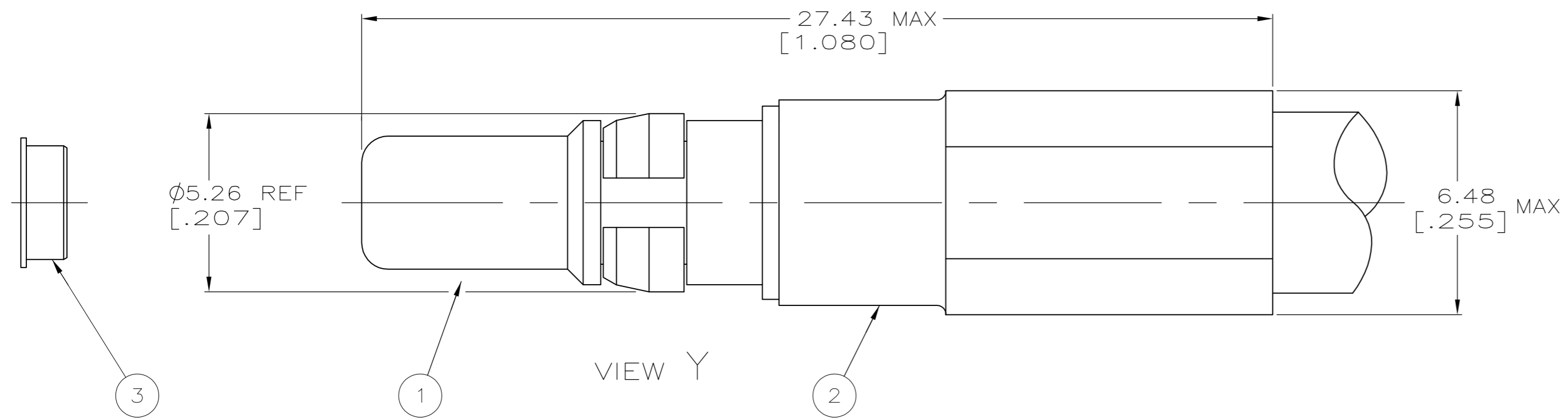
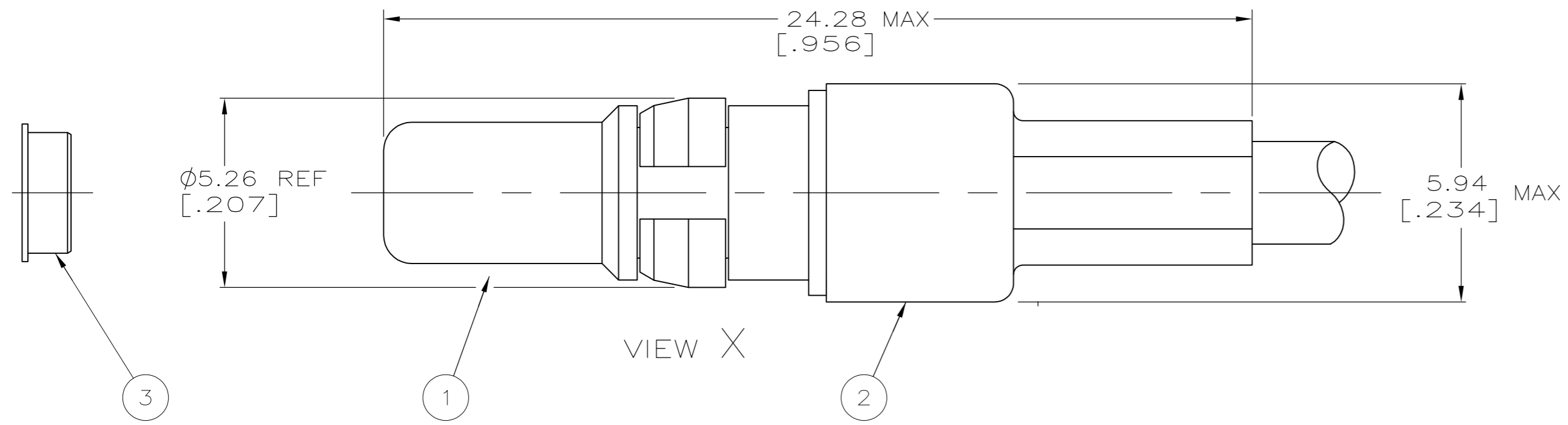
Email & Skype: info@chipsmall.com Web: www.chipsmall.com

Address: A1208, Overseas Decoration Building, #122 Zhenhua RD., Futian, Shenzhen, China

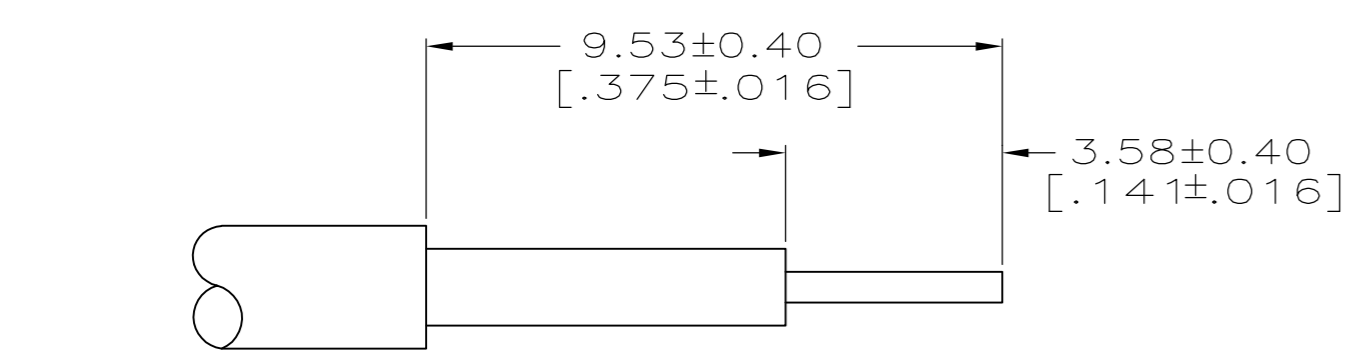


THIS DRAWING IS UNPUBLISHED. RELEASED FOR PUBLICATION
 © COPYRIGHT BY TYCO ELECTRONICS CORPORATION. ALL RIGHTS RESERVED.

LOC	DIST	REVISIONS			
P	LTR	DESCRIPTION	DATE	DWN	APVD
AJ	16				
		K	REVISED PER EC 0S14-0456-04	18NOV05	BL JL
		K1	REVISED PER ECO-09-020689	25AUG09	KK AEG



VIEW A
RECOMMENDED STRIP LENGTH



VIEW B
RECOMMENDED STRIP LENGTH

- 1. FOR USE WITH: RG-142/U, 142A/U, 142B/U, 58A/U & 400/U, BELDIN 9246
- 2. USE HAND TOOL: 69710-2
PNEUMATIC TOOL: 69365-8
EXTRACTION TOOL: 58095-1
- 3. ITEM #3 IS USED TO STABILIZE THE CRIMPED CONNECTOR IN THE HOUSING CAVITY, OTHERWISE DISCARD
- 4. FOR USE WITH: RD-316/U, 174/U, & 188/U
DOUBLE BRAIDED CABLE
- 5. OBSOLETE PARTS: OBSOLETE CIS STREAMLINING PER D.RENAUD/D.SINISI

OBSOLETE	59993-1		228616-1	9-221205-0	222049-1	X,A	221980-5
OBSOLETE	58212-1	RG-402/U, .141 SEMI RIGID	228616-1	222401-3	222059-1	Y,B	221980-4
OBSOLETE	59993-1	RG-179/U, 179A/U & 179B/U	228616-1	9-228603-0	222049-2	X,A	221980-3
OBSOLETE	58212-1		228616-1	9-225381-0	222059-1	Y,A	221980-2
	59993-1	RG-174/U, 188/U & 316/U	228616-1	9-228603-0	222049-1	X,A	221980-1
	DIE SET	USE WITH CABLE	3 ALIGNMENT RING QTY=1	2 FERRULE QTY=1	1 PIN ASSY QTY=1	VIEW	PART NUMBER

THIS DRAWING IS A CONTROLLED DOCUMENT.

DIMENSIONS: INCHES	TOLERANCES UNLESS OTHERWISE SPECIFIED:	DWN B. WERNER 8-26-91	Tyco Electronics Corporation Harrisburg, Pa 17105-3608
	0 PLC ± -	CHK D. DOYE 8-26-91	
	1 PLC ± -	APVD D. DOYE 8-26-91	
	2 PLC ± -	PRODUCT SPEC	
MATERIAL	FINISH	APPLICATION SPEC	NAME PIN, STRAIGHT, 50 OHM, SIZE 8
		WEIGHT	SIZE A2 CAGE CODE 00779 DRAWING NO C-221980 RESTRICTED TO
		CUSTOMER DRAWING	SCALE 1:1 SHEET 1 OF 1 REV K1