



Chipsmall Limited consists of a professional team with an average of over 10 year of expertise in the distribution of electronic components. Based in Hongkong, we have already established firm and mutual-benefit business relationships with customers from,Europe,America and south Asia,supplying obsolete and hard-to-find components to meet their specific needs.

With the principle of “Quality Parts,Customers Priority,Honest Operation,and Considerate Service”,our business mainly focus on the distribution of electronic components. Line cards we deal with include Microchip,ALPS,ROHM,Xilinx,Pulse,ON,Everlight and Freescale. Main products comprise IC,Modules,Potentiometer,IC Socket,Relay,Connector.Our parts cover such applications as commercial,industrial, and automotives areas.

We are looking forward to setting up business relationship with you and hope to provide you with the best service and solution. Let us make a better world for our industry!



## Contact us

Tel: +86-755-8981 8866 Fax: +86-755-8427 6832

Email & Skype: info@chipsmall.com Web: www.chipsmall.com

Address: A1208, Overseas Decoration Building, #122 Zhenhua RD., Futian, Shenzhen, China



4

3

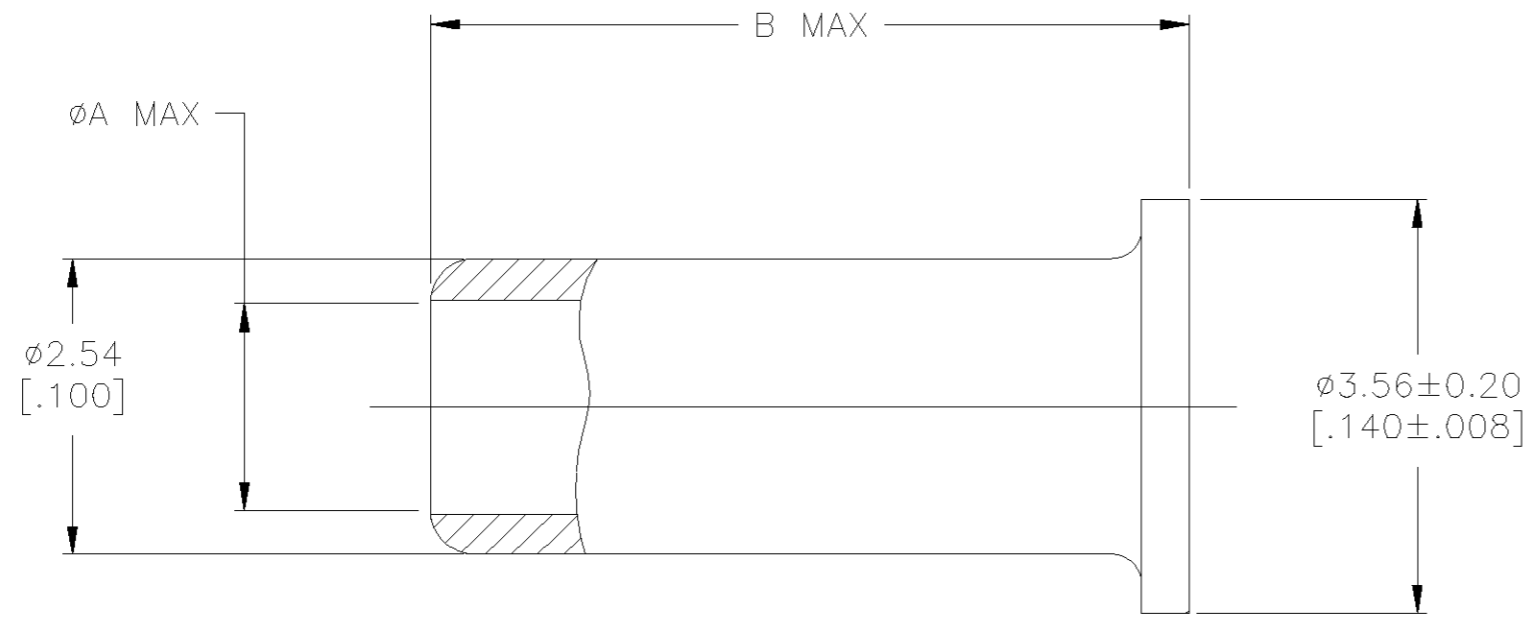
2

1

THIS DRAWING IS UNPUBLISHED. RELEASED FOR PUBLICATION  
 © COPYRIGHT BY TYCO ELECTRONICS CORPORATION. ALL RIGHTS RESERVED.

LOC	DIST	REVISIONS			
P	LTR	DESCRIPTION	DATE	DWN	APVD
AJ	16				
	J	REV PER 0U20-0164-01	26MAR01	MO	BM

△ BRASS PER ASTM-B-16 OR  
 BRASS PER ASTM-B-36  
 △ NICKEL PLATE PER QQ-N-290,  
 2.54µm [.000100] MIN THICKNESS



11.48 [.452]	0.91 [.036]	1-222001-8
10.03 [.395]	2.08 [.082]	1-222001-6
11.23 [.442]	1.88 [.074]	1-222001-4
18.97 [.747]	1.88 [.074]	1-222001-2
7.11 [.280]	1.88 [.074]	1-222001-0
10.03 [.395]	1.88 [.074]	222001-8
14.02 [.552]	1.88 [.074]	222001-6
7.42 [.292]	1.88 [.074]	222001-4
6.78 [.267]	1.88 [.074]	222001-2
B	A	PART NUMBER

THIS DRAWING IS A CONTROLLED DOCUMENT.		DWN D.LAMAN	27MAR01	AMP Tyco Electronics Corporation Harrisburg, Pa	
DIMENSIONS: MM (INCHES)		CHK R.E.RUTH	4/26/90	NAME TUBING	
TOLERANCES UNLESS OTHERWISE SPECIFIED:		APVD M. PHILLIPS	4/26/90	PRODUCT SPEC -	
0 PLC ± -		APPLICATION SPEC		RESTRICTED TO	
1 PLC ± -		WEIGHT		-	
2 PLC ± 0.13 [.005]		SIZE		A2	
3 PLC ± -		CAGE CODE		00779	
4 PLC ± -		DRAWING NO		C=222001	
ANGLES ± -		SCALE		10:1	
FINISH		SHEET		1 OF 1	
-		CUSTOMER DRAWING		REV J	

222001