



Chipsmall Limited consists of a professional team with an average of over 10 year of expertise in the distribution of electronic components. Based in Hongkong, we have already established firm and mutual-benefit business relationships with customers from,Europe,America and south Asia,supplying obsolete and hard-to-find components to meet their specific needs.

With the principle of “Quality Parts,Customers Priority,Honest Operation,and Considerate Service”,our business mainly focus on the distribution of electronic components. Line cards we deal with include Microchip,ALPS,ROHM,Xilinx,Pulse,ON,Everlight and Freescale. Main products comprise IC,Modules,Potentiometer,IC Socket,Relay,Connector.Our parts cover such applications as commercial,industrial, and automotives areas.

We are looking forward to setting up business relationship with you and hope to provide you with the best service and solution. Let us make a better world for our industry!



Contact us

Tel: +86-755-8981 8866 Fax: +86-755-8427 6832

Email & Skype: info@chipsmall.com Web: www.chipsmall.com

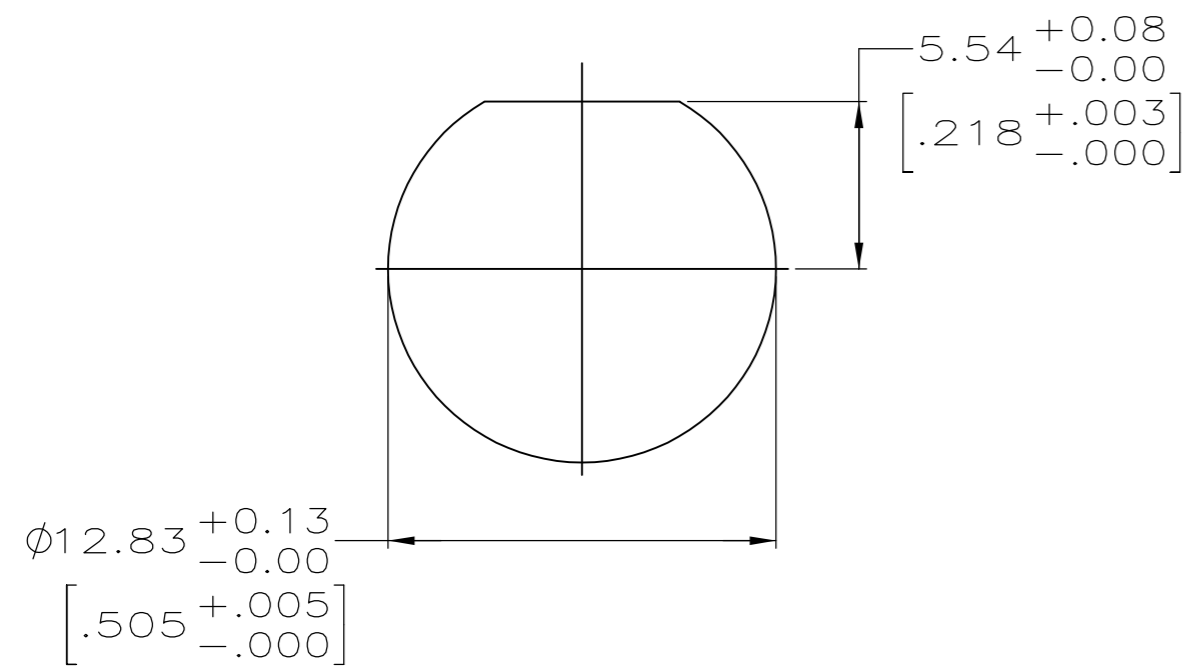
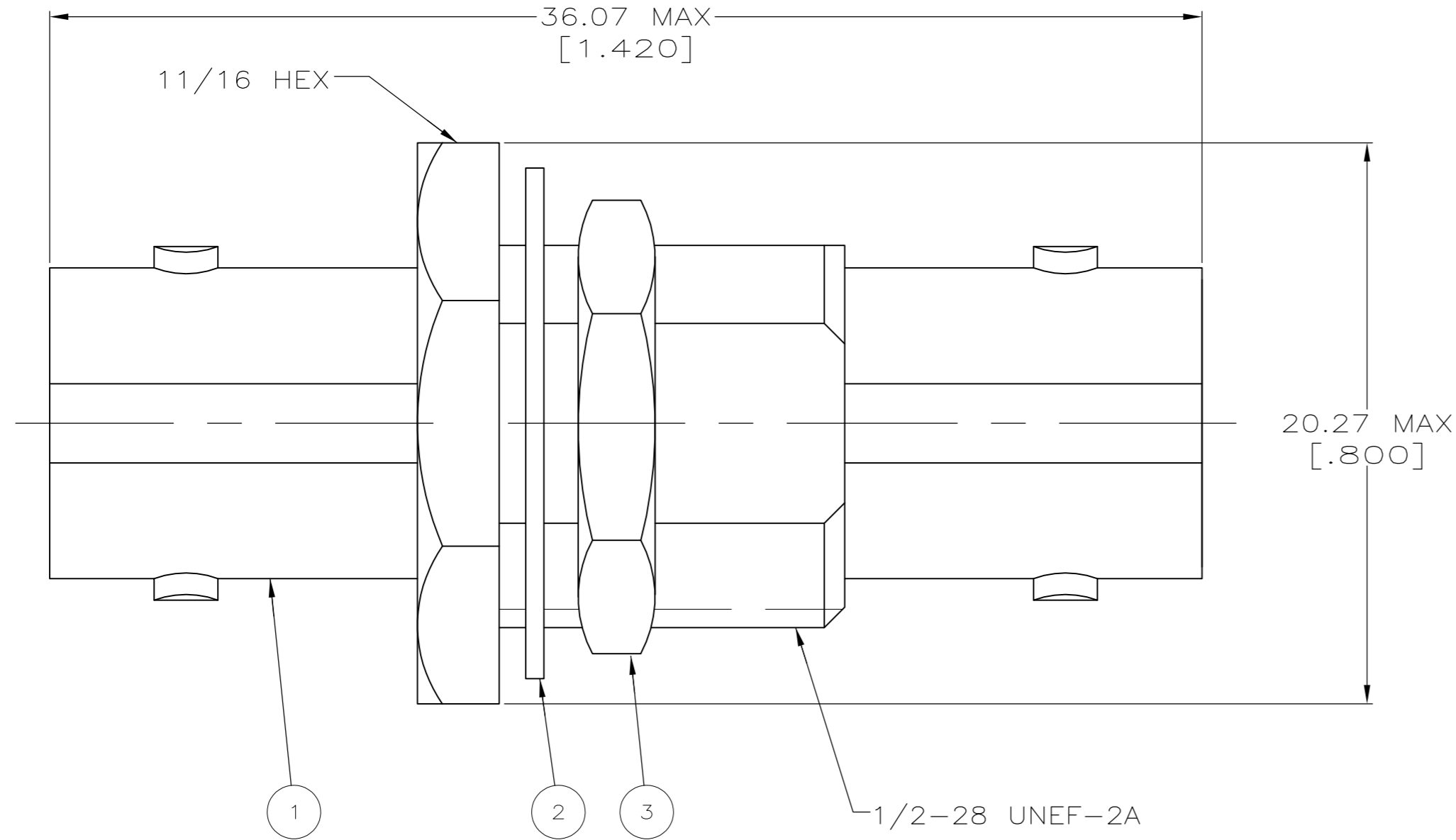
Address: A1208, Overseas Decoration Building, #122 Zhenhua RD., Futian, Shenzhen, China



THIS DRAWING IS UNPUBLISHED. RELEASED FOR PUBLICATION
 © COPYRIGHT - By - ALL RIGHTS RESERVED.

LOC	DIST	REVISIONS			
P	LTR	DESCRIPTION	DATE	DWN	APVD
AJ	16	A1	REVISED PER ECO-11-005030	11MAR11	RK HMR

- 1. PARTS PACKAGED UNASSEMBLED
- 2. PANEL THICKNESS = 6.35 [.250] MAX



RECOMMENDED PANEL CUTOUT
SCALE 4:1

1-329631-2	1-329632-2	222118-1	222117-1
3 JAM NUT QTY=1	2 LOCK WASHER QTY=1	1 JACK ADAPTOR ASSY QTY=1	PART NUMBER
THIS DRAWING IS A CONTROLLED DOCUMENT.		DWN M. O'BRINE 25FEB00	
DIMENSIONS: mm [INCHES]		CHK J. HAVENER 25FEB00	
TOLERANCES UNLESS OTHERWISE SPECIFIED:		APVD J. HAVENER 25FEB00	NAME ADAPTER,JACK,BULKHEAD 75 OHM,COMMERCIAL,BNC
0 PLC ± -		PRODUCT SPEC	SIZE CAGE CODE DRAWING NO RESTRICTED TO
1 PLC ± -		APPLICATION SPEC	A2 00779 C=222117-1
2 PLC ± -		WEIGHT -	SCALE 5:1 SHEET 1 OF 1 REV A1
3 PLC ± -		MATERIAL -	CUSTOMER DRAWING
4 PLC ± -		FINISH -	
ANGLES ± -			