



Chipsmall Limited consists of a professional team with an average of over 10 year of expertise in the distribution of electronic components. Based in Hongkong, we have already established firm and mutual-benefit business relationships with customers from,Europe,America and south Asia,supplying obsolete and hard-to-find components to meet their specific needs.

With the principle of “Quality Parts,Customers Priority,Honest Operation,and Considerate Service”,our business mainly focus on the distribution of electronic components. Line cards we deal with include Microchip,ALPS,ROHM,Xilinx,Pulse,ON,Everlight and Freescale. Main products comprise IC,Modules,Potentiometer,IC Socket,Relay,Connector.Our parts cover such applications as commercial,industrial, and automotives areas.

We are looking forward to setting up business relationship with you and hope to provide you with the best service and solution. Let us make a better world for our industry!



Contact us

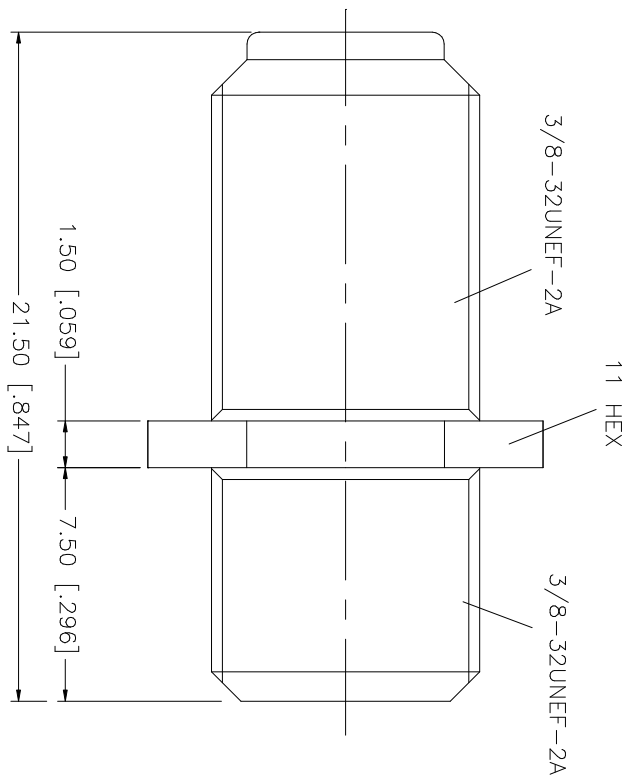
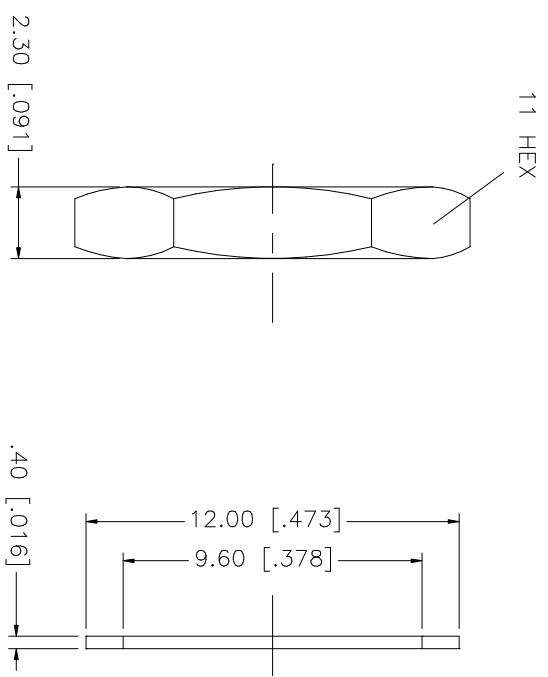
Tel: +86-755-8981 8866 Fax: +86-755-8427 6832

Email & Skype: info@chipsmall.com Web: www.chipsmall.com

Address: A1208, Overseas Decoration Building, #122 Zhenhua RD., Futian, Shenzhen, China



REV.	DATE	DESCRIPTION
A	04/27/99	CHANGE PLATING SPEC. / UPDATE DWG.
B	05/01/04	UPDATE DRAWING FORMAT
C	02/21/06	MODIFY BODY DIMENSIONS



8																							
7																							
6																							
5	HEX NUT	BRASS	NICKEL	1																			
4	WASHER	BRASS	NICKEL	1																			
3	CONTACT PIN	BRASS	BRIGHT TIN	1																			
2	INSULATOR	P.P.	NATURAL	1																			
1	BODY	DIECAST	NICKEL	1																			
DESCRIPTION		MATERIAL		FINISH		QTY		DO NOT SCALE DRAWING		CAD FILE		APPROVALS		DATE		DWG. NO.		REV.		SIZE		SCALE	
										C:/222/222121DWG		DRAWN G.R.S.		02/21/06		222121.DWG		C		A		NA	
												CHECKED											
												ISSUED											
												SHEET		1 OF 1									
												PART NO.		222121									
												PART DESCRIPTION		F CONNECTOR									
												<h1 style="text-align: center;">Amphenol Connex</h1>											

UNLESS OTHERWISE SPECIFIED DIMENSIONS ARE IN MILLIMETERS DIMENSIONS IN [] ARE IN INCHES AND FOR CUSTOMER REFERENCE ONLY. TOLERANCES FOR MILLIMETERS ARE:
 0.5 - 8mm ± 0.20mm
 8 - 30mm ± 0.40mm
 30 - 120mm ± 0.50mm
 UNLESS OTHERWISE SPECIFIED TOLERANCES FOR INCHES ARE:
 .020 - .315 = ± 0.007"
 .315 - 1.180 = ± 0.015"
 1.180 - 4.724 = ± 0.020"