



Chipsmall Limited consists of a professional team with an average of over 10 year of expertise in the distribution of electronic components. Based in Hongkong, we have already established firm and mutual-benefit business relationships with customers from,Europe,America and south Asia,supplying obsolete and hard-to-find components to meet their specific needs.

With the principle of “Quality Parts,Customers Priority,Honest Operation,and Considerate Service”,our business mainly focus on the distribution of electronic components. Line cards we deal with include Microchip,ALPS,ROHM,Xilinx,Pulse,ON,Everlight and Freescale. Main products comprise IC,Modules,Potentiometer,IC Socket,Relay,Connector.Our parts cover such applications as commercial,industrial, and automotives areas.

We are looking forward to setting up business relationship with you and hope to provide you with the best service and solution. Let us make a better world for our industry!



Contact us

Tel: +86-755-8981 8866 Fax: +86-755-8427 6832

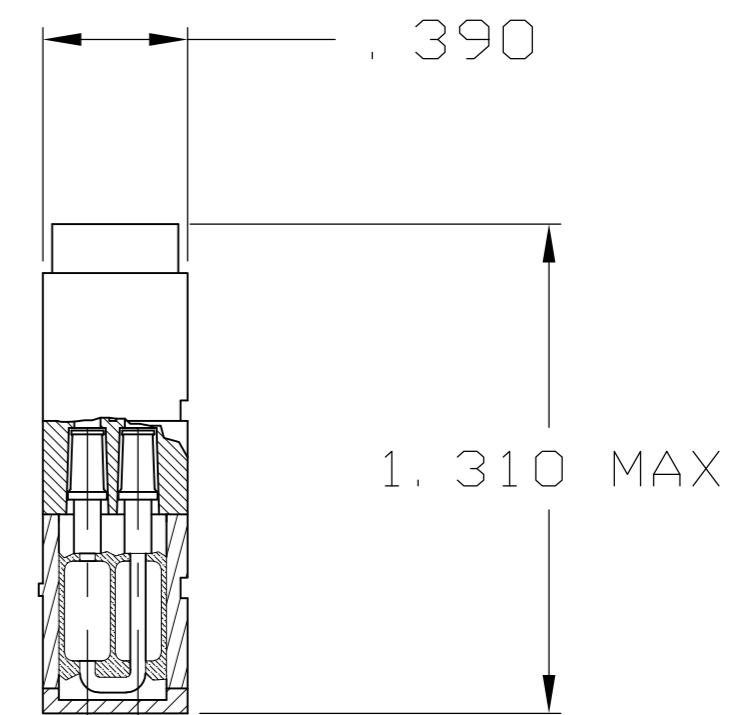
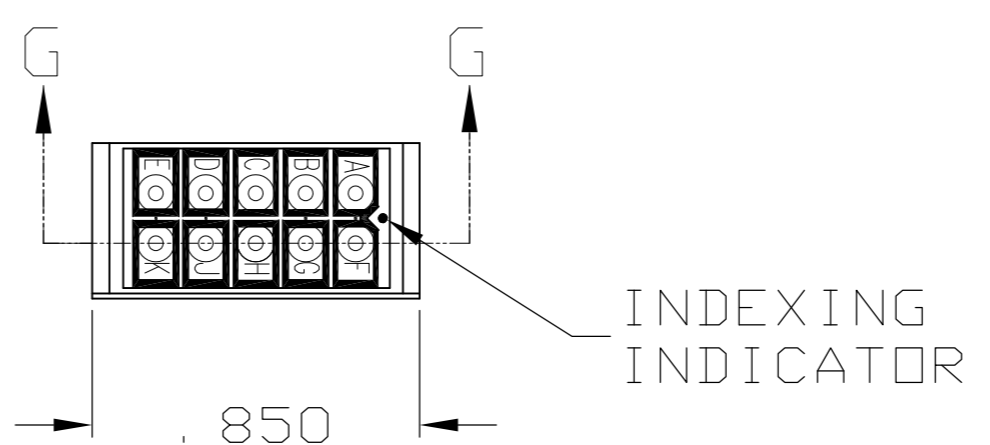
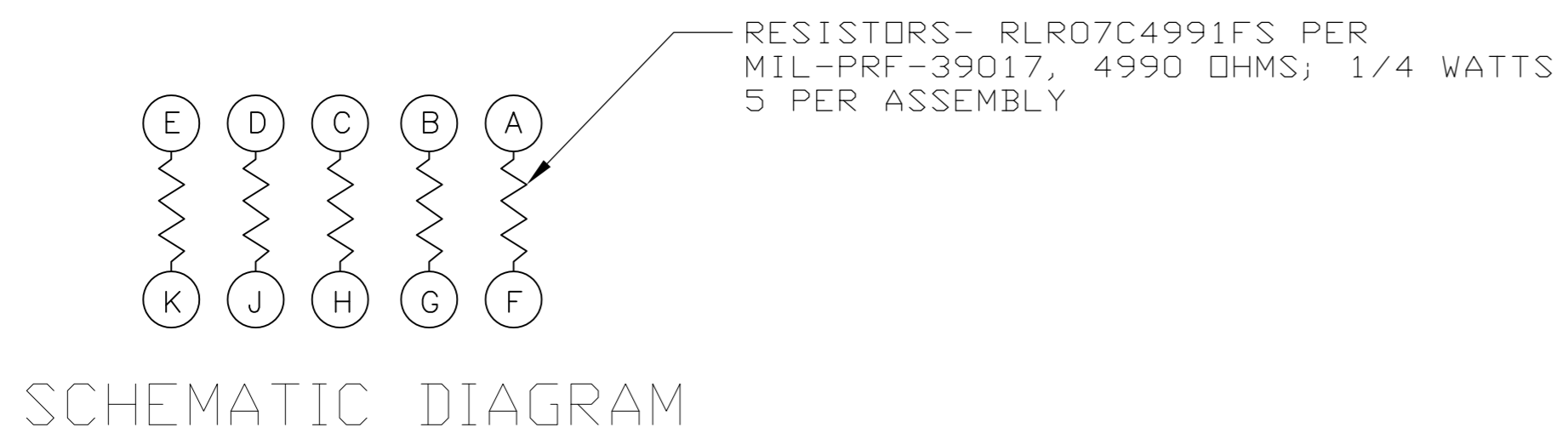
Email & Skype: info@chipsmall.com Web: www.chipsmall.com

Address: A1208, Overseas Decoration Building, #122 Zhenhua RD., Futian, Shenzhen, China



THIS DRAWING IS UNPUBLISHED.		RELEASED FOR PUBLICATION
© COPYRIGHT - By -		ALL RIGHTS RESERVED.
DESCRIPTION	MATERIAL	FINISH
MODULE ASSEMBLY	THERMOSET EPOXY	COLOR: BLACK
GROMMET	FLUORSILICONE RUBBER	COLOR: BLUE
CONTACT SOCKET	BERYLLIUM COPPER PER QQ-C-533	GOLD PLATE PER MIL-G-45204
RETAINING CLIP	BERYLLIUM COPPER PER QQ-C-533 OR STAINLESS STEEL PER QQ-S-766	NONE
PIN CONTACTS	COPPER ALLOY PER MIL-C-39029/1	GOLD PLATE PER MIL-G-45204

LDC		DIST		REVISIONS			
-	-	P	LTR	DESCRIPTION	DATE	DWN	APVD
		B		RELEASED PER ECO 12-018351	19OCT12	PY	DE



- 1 MODULE ASSEMBLY MARKED WITH "AMP", TE PART NO. AND DATE CODE .060 MINIMUM HIGH CHARACTERS AT APPROXIMATE AREA SHOWN.
2. IN ACCORDANCE WITH SAE AS81714/26 AS SHOWN.
3. SIZE 20 PIN CONTACTS, SEALING PLUGS AND INSERTION/EXTRACTION TOOL SUPPLIED WITH MODULE ASSEMBLY.

2221385-1
PART NO.

THIS DRAWING IS A CONTROLLED DOCUMENT.		DWN C. C. THOMAS 7-10-12		
DIMENSIONS: INCHES		CHK D. EABY 7-10-12		
TOLERANCES UNLESS OTHERWISE SPECIFIED:		APVD D. EABY 7-10-12	NAME	
0 PLC ± -		PRODUCT SPEC	-	
1 PLC ± -		APPLICATION SPEC	-	
2 PLC ± -		WEIGHT	-	
3 PLC ± .005		SCALE	2:1	
4 PLC ± -		SHEET	1 of 1	
ANGLES ± -		CUSTOMER DRAWING	REV B	
FINISH		SIZE A2 CAGE CODE 00779 DRAWING NO. C=2221385 RESTRICTED TO - FEED-BACK MODULE ASSY, SIZE 20, TJ WITH FIVE RESISTERS		