



Chipsmall Limited consists of a professional team with an average of over 10 year of expertise in the distribution of electronic components. Based in Hongkong, we have already established firm and mutual-benefit business relationships with customers from,Europe,America and south Asia,supplying obsolete and hard-to-find components to meet their specific needs.

With the principle of “Quality Parts,Customers Priority,Honest Operation,and Considerate Service”,our business mainly focus on the distribution of electronic components. Line cards we deal with include Microchip,ALPS,ROHM,Xilinx,Pulse,ON,Everlight and Freescale. Main products comprise IC,Modules,Potentiometer,IC Socket,Relay,Connector.Our parts cover such applications as commercial,industrial, and automotives areas.

We are looking forward to setting up business relationship with you and hope to provide you with the best service and solution. Let us make a better world for our industry!



Contact us

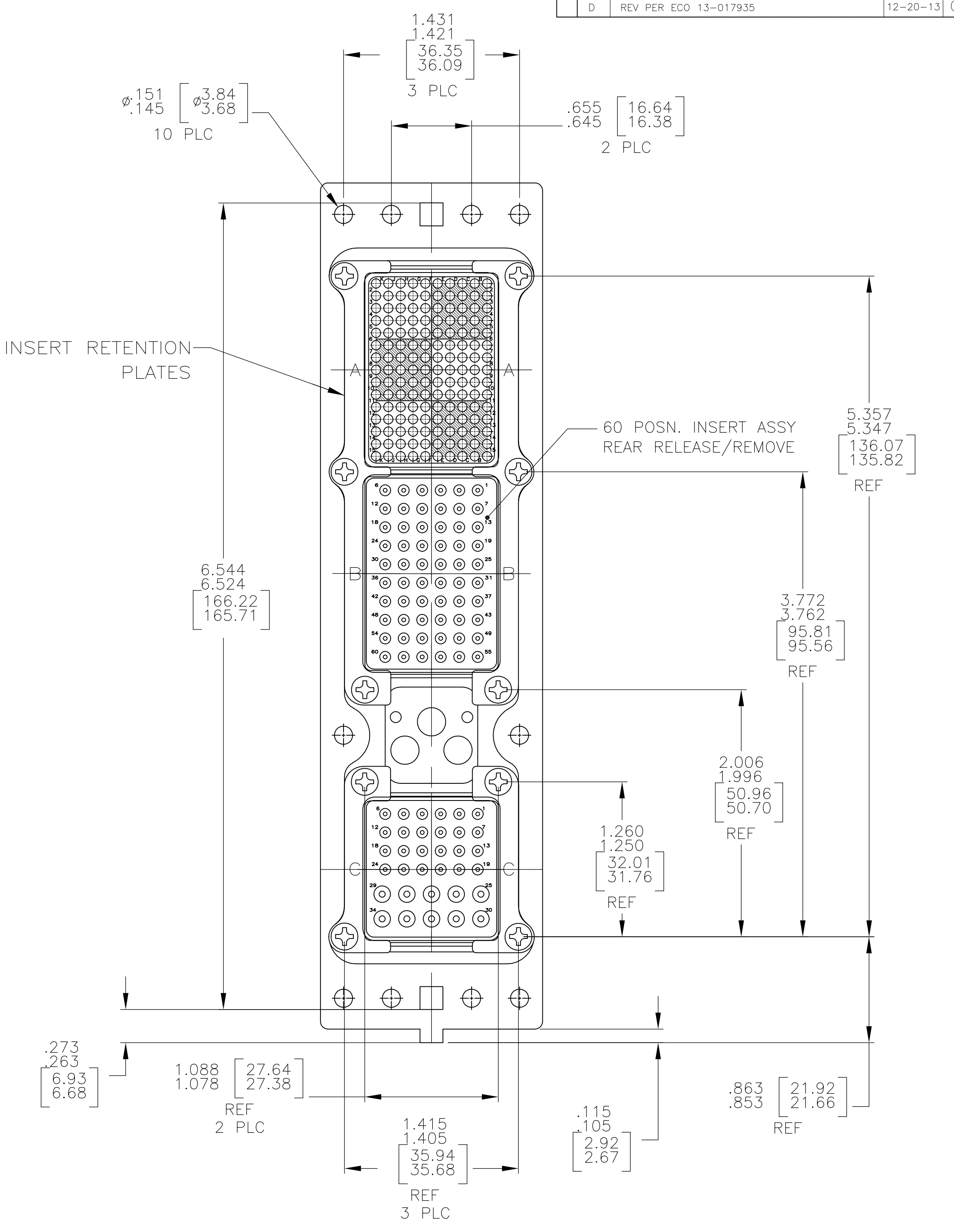
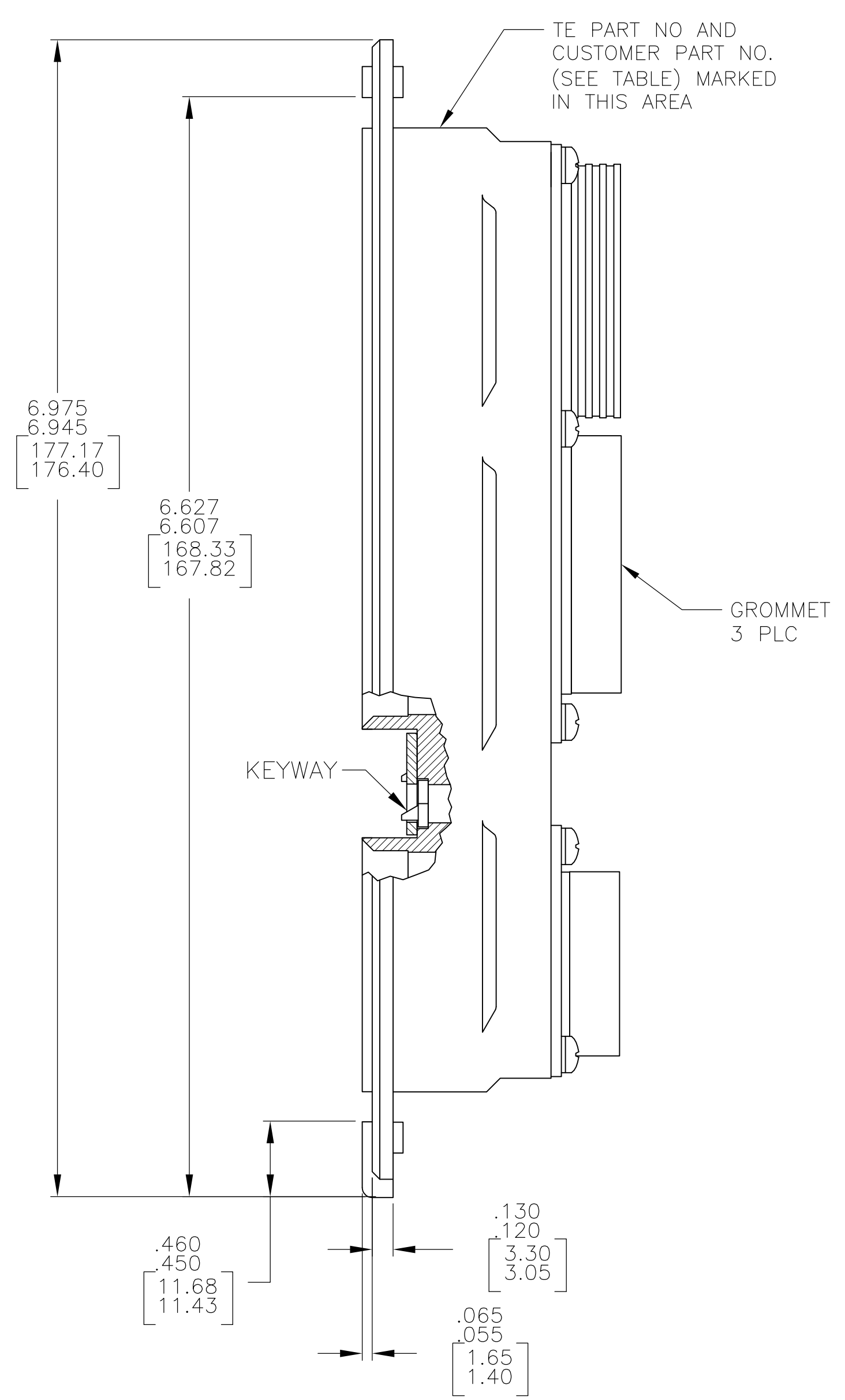
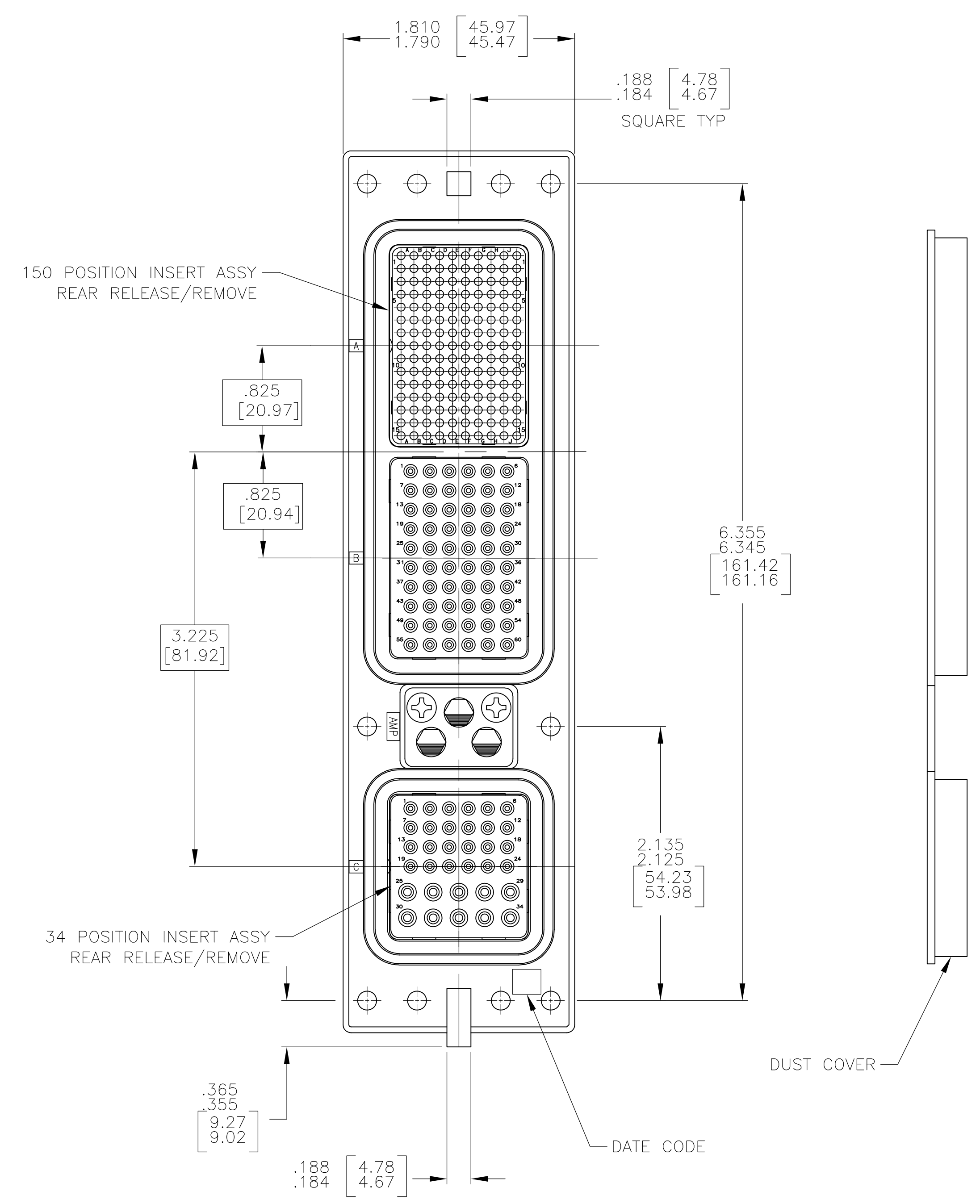
Tel: +86-755-8981 8866 Fax: +86-755-8427 6832

Email & Skype: info@chipsmall.com Web: www.chipsmall.com

Address: A1208, Overseas Decoration Building, #122 Zhenhua RD., Futian, Shenzhen, China



REVISONS		DATE	DN	APVD
P	LTR	DESCRIPTION		
D	REV PER ECO	13-017935	12-20-13	CT WB



- CONNECTOR DIMENSIONS ARE PER ARINC 600 SPECIFICATION
- DUST COVER INSTALLED FOR SHIPPING.
- KEYING SHOWN IN POSITION "01" FOR REFERENCE ONLY. SEE TABLE FOR KEYING POSITION. FOR POSITION "00" KEYING SHIPPED UNASSEMBLED.
- CONTACTS PACKAGED SEPARATELY AND SHIPPED WITH CONNECTOR.

COMPONENT	MATERIAL	FINISH
SHELL	DIE CAST ALUMINUM PER ASTM-B-85	ELECTROLESS NICKEL PER MIL-C-26074
INSERT RETENTION PLATES	ALUMINUM ALLOY PER ASTM-B-209	ELECTROLESS NICKEL PER MIL-C-26074
SCREWS AND LOCKWASHERS	STEEL OR STAINLESS STEEL	CHROMATE OVER ZINC OR PASSIVATED
POLARIZING KEYS	ZINC ALLOY PER ASTM-B-86	-
POLARIZING KEY RETAINING PLATE	ALUMINUM ALLOY PER ASTM-B-209	BLUE ANODIZED PER MIL-A-8625
INSERTS	THERMOSET OR THERMOPLASTIC PPS PER MIL-M-24519	-
DUST COVER	CONDUCTIVE THERMOPLASTIC	-

KEYING POSITION	CONTACTS INCLUDED AND NOT INSTALLED	PART NUMBER
"55"	MODULE A 208264-2 (SZ 22 CRIMP SOCKET CONTACT; QTY=150) MODULE B 208265-3 (SZ 20 CRIMP PIN CONTACT; QTY=60) MODULE C 208265-3 (SZ 20 CRIMP PIN CONTACT; QTY=24) 208268-3 (SZ 16 CRIMP PIN CONTACT; QTY=10)	2221458-2
"01"	MODULE A 208264-2 (SZ 22 CRIMP SOCKET CONTACT; QTY=150) MODULE B 208265-3 (SZ 20 CRIMP PIN CONTACT; QTY=60) MODULE C 208265-3 (SZ 20 CRIMP PIN CONTACT; QTY=24) 208268-3 (SZ 16 CRIMP PIN CONTACT; QTY=10)	2221458-1

BACC66C51F01AA	2221458-2
-	2221458-1
CUSTOMER PART NO.	TE PART NO.

THIS DRAWING IS A CONTROLLED DOCUMENT.

DIN: C.C.THOMAS 9-26-12
CHK: W.BERNHART 9-26-12
APVD: W.BERNHART 9-26-12

TE Connectivity

RCPT ASSY, SIZE 2, ARINC 600 (150/60/34), RR WITH GROMMETS

SIZE: A1
CAGE CODE: 00779
DRAWING NO: 2221458
WEIGHT: -
RESTRICTED TO: -

CUSTOMER DRAWING SCALE: 3:2 SHEET: 1 OF 1 REV: D