



Chipsmall Limited consists of a professional team with an average of over 10 year of expertise in the distribution of electronic components. Based in Hongkong, we have already established firm and mutual-benefit business relationships with customers from,Europe,America and south Asia,supplying obsolete and hard-to-find components to meet their specific needs.

With the principle of “Quality Parts,Customers Priority,Honest Operation,and Considerate Service”,our business mainly focus on the distribution of electronic components. Line cards we deal with include Microchip,ALPS,ROHM,Xilinx,Pulse,ON,Everlight and Freescale. Main products comprise IC,Modules,Potentiometer,IC Socket,Relay,Connector.Our parts cover such applications as commercial,industrial, and automotives areas.

We are looking forward to setting up business relationship with you and hope to provide you with the best service and solution. Let us make a better world for our industry!



Contact us

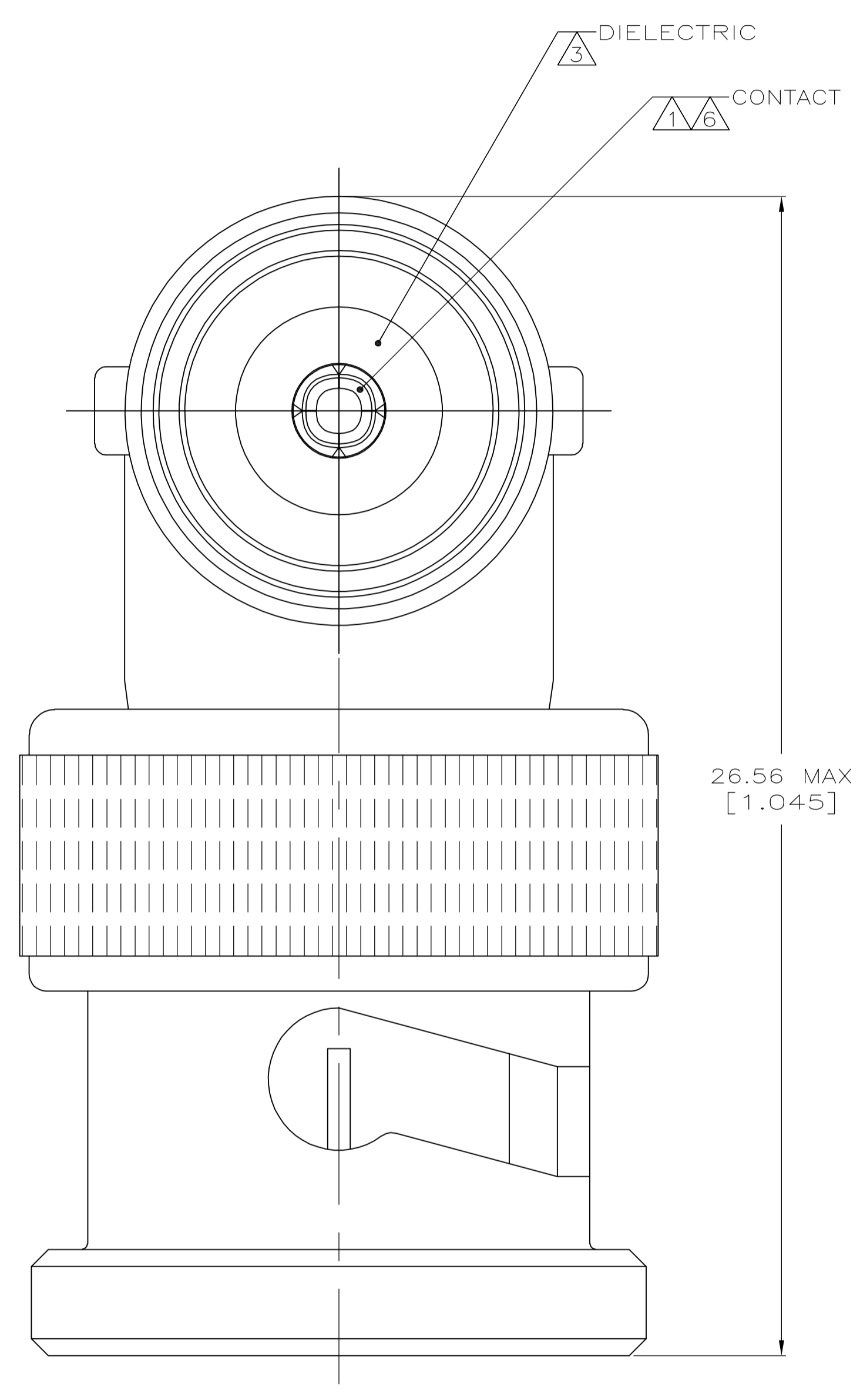
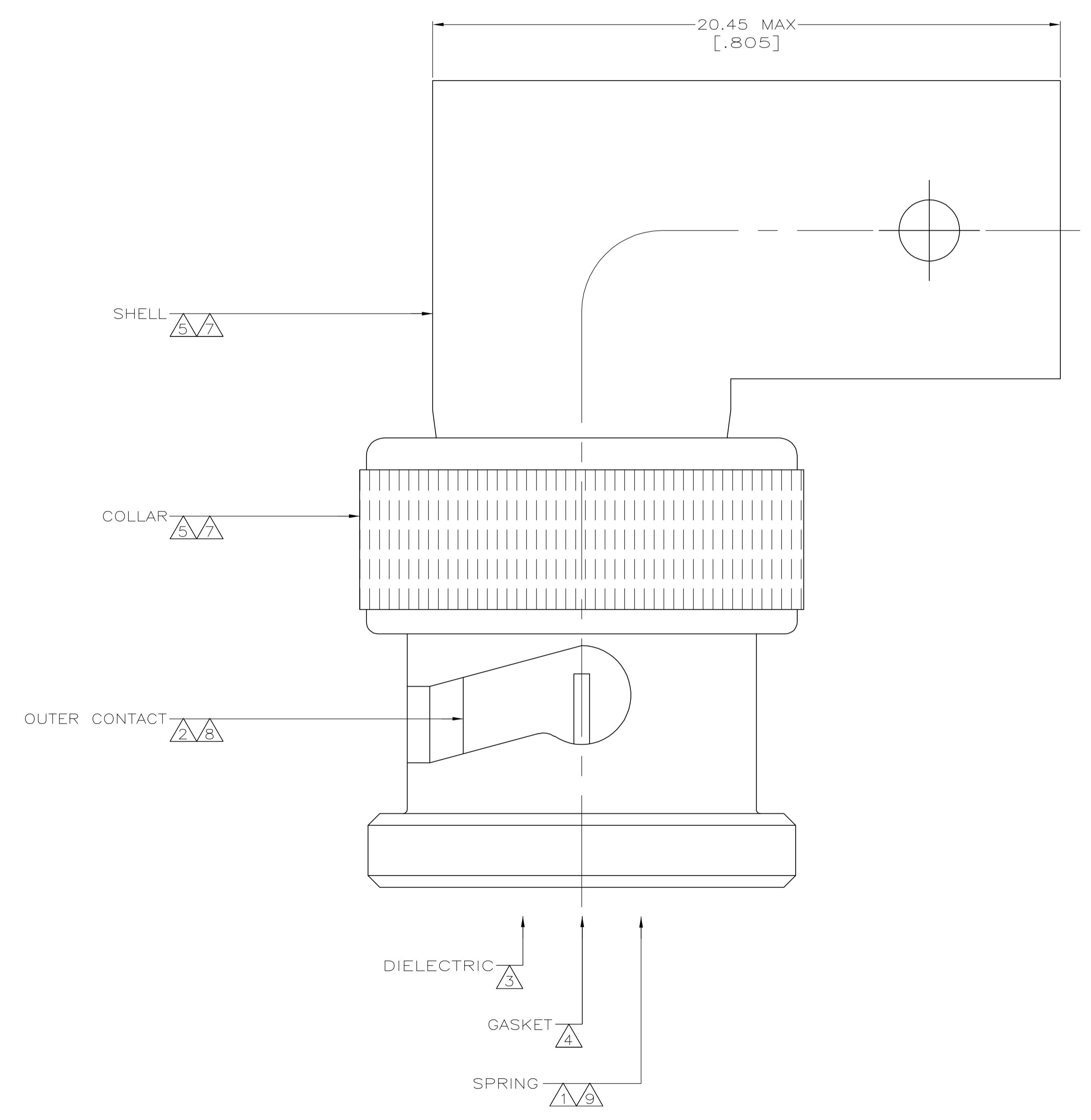
Tel: +86-755-8981 8866 Fax: +86-755-8427 6832

Email & Skype: info@chipsmall.com Web: www.chipsmall.com

Address: A1208, Overseas Decoration Building, #122 Zhenhua RD., Futian, Shenzhen, China



- △ BERYLLIUM COPPER PER ASTM-B-194
- △ BRASS PER ASTM-B-16
- △ PTFE PER MIL-P-19468
- △ SILICONE RUBBER PER ZZ-R-765
- △ ZINC DIE CAST PER ASTM-B-86
- △ GOLD PLATE PER MIL-G-45204, 0.76 μm [.000030] MIN THICKNESS
- △ NICKEL PLATE PER QQ-N-290, 1.27 μm [.000050] MIN THICKNESS
- △ NICKEL PLATE PER QQ-N-290, 2.54 μm [.000100] MIN THICKNESS
- △ TIN PLATE PER ASTM-B-545, 2.54 μm [.000100] MIN THICK.



SUPERCEDED BY	9-222165-0
OBSOLETE	9-222165-0
	222165-2
OBSOLETE	222165-1

PART NUMBER

THIS DRAWING IS A CONTROLLED DOCUMENT.		DWN MICHAEL E. COWHER 17AUG95	15AUG95	 Tyco Electronics Corporation Harrisburg, PA 17105-3608
DIMENSIONS: mm [INCHES]		CHK MICHAEL J. PHILLIPS 17AUG95	17AUG95	
TOLERANCES UNLESS OTHERWISE SPECIFIED:		APVD MICHAEL J. PHILLIPS 15AUG95	15AUG95	NAME PLUG-JACK ADAPTER, RIGHT ANGLE, BNC
0 PLC ± -		APPLICATION SPEC		SIZE A1
1 PLC ± -		WEIGHT		CAGE CODE 00779
2 PLC ± -		RESTRICTED TO		DRAWING NO 222165
3 PLC ± -		CUSTOMER DRAWING		SCALE 10:1
4 PLC ± -		SHEET 1 OF 1		REV K1
ANGLES ± -				
FINISH SEE NOTES				