



Chipsmall Limited consists of a professional team with an average of over 10 year of expertise in the distribution of electronic components. Based in Hongkong, we have already established firm and mutual-benefit business relationships with customers from,Europe,America and south Asia,supplying obsolete and hard-to-find components to meet their specific needs.

With the principle of “Quality Parts,Customers Priority,Honest Operation,and Considerate Service”,our business mainly focus on the distribution of electronic components. Line cards we deal with include Microchip,ALPS,ROHM,Xilinx,Pulse,ON,Everlight and Freescale. Main products comprise IC,Modules,Potentiometer,IC Socket,Relay,Connector.Our parts cover such applications as commercial,industrial, and automotives areas.

We are looking forward to setting up business relationship with you and hope to provide you with the best service and solution. Let us make a better world for our industry!



Contact us

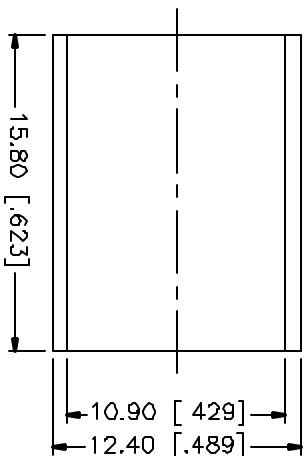
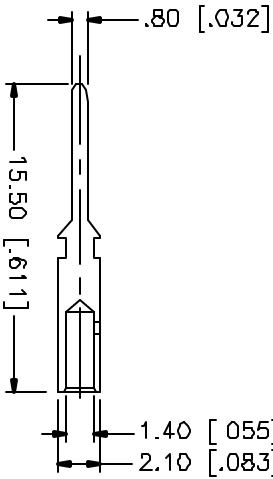
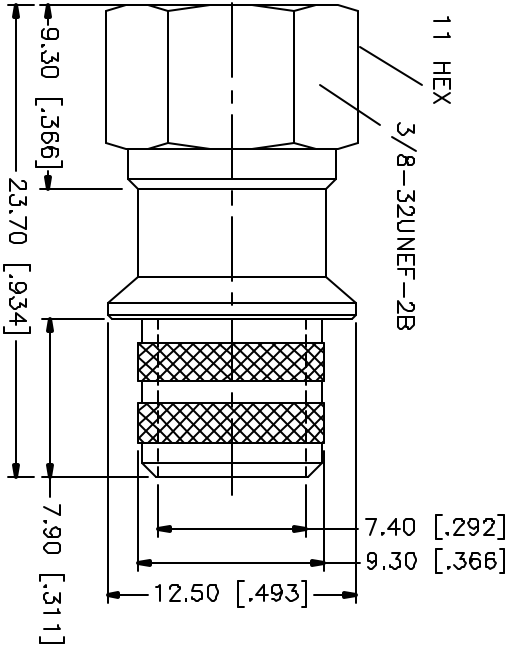
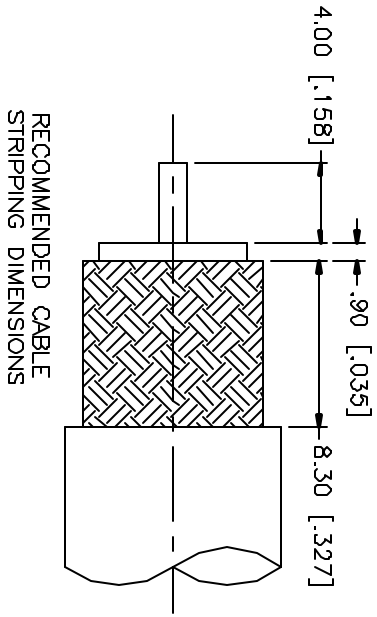
Tel: +86-755-8981 8866 Fax: +86-755-8427 6832

Email & Skype: info@chipsmall.com Web: www.chipsmall.com

Address: A1208, Overseas Decoration Building, #122 Zhenhua RD., Futian, Shenzhen, China



REV	DATE	DESCRIPTION
NC	02/12/01	INITIAL RELEASE



- CRIMP NOTES:
1. CRIMPED FERRULE HEX CRIMP SIZE .429"
 2. CRIMPED CONTACT PIN HEX CRIMP SIZE .068"

DESCRIPTION	MATERIAL	FINISH	UNLESS OTHERWISE SPECIFIED DIMENSIONS ARE IN MILLIMETERS DIMENSIONS IN [] ARE IN INCHES FOR CUSTOMER REFERENCE ONLY	APPROVALS	DATE	TITLE	SCALE	PART NO.	SHEET	REV.
8				DRAWN	G.R.S.	02/12/01				
7				CHECKED						
6				ISALED						
5	FERRULE	BRASS	NICKEL							
4	BARREL	BRASS	NICKEL							
3	CONTACT PIN	BRASS	GOLD							
2	INSULATOR	DELFIN	NATURAL							
1	BODY	BRASS	NICKEL							
			UNLESS OTHERWISE SPECIFIED DIMENSIONS ARE IN MILLIMETERS ARE							
			TOLERANCES FOR MILLIMETERS ARE							
			0.5-5 = ± 0.2							
			8-30 = ± 0.4							
			30-120 = ± 0.6							
			120-315 = ± 1							
			315-1000 = ± 1.6							
			1000-2000 = ± 2.4							
			DO NOT SCALE DRAWING							
			F CRIMP PLUG (FOR RG-11 CABLE) DWG. NO. 222175.DWG							
			NA	99001	222175	1	OF	1	NC	