



Chipsmall Limited consists of a professional team with an average of over 10 year of expertise in the distribution of electronic components. Based in Hongkong, we have already established firm and mutual-benefit business relationships with customers from,Europe,America and south Asia,supplying obsolete and hard-to-find components to meet their specific needs.

With the principle of “Quality Parts,Customers Priority,Honest Operation,and Considerate Service”,our business mainly focus on the distribution of electronic components. Line cards we deal with include Microchip,ALPS,ROHM,Xilinx,Pulse,ON,Everlight and Freescale. Main products comprise IC,Modules,Potentiometer,IC Socket,Relay,Connector.Our parts cover such applications as commercial,industrial, and automotives areas.

We are looking forward to setting up business relationship with you and hope to provide you with the best service and solution. Let us make a better world for our industry!



## Contact us

Tel: +86-755-8981 8866 Fax: +86-755-8427 6832

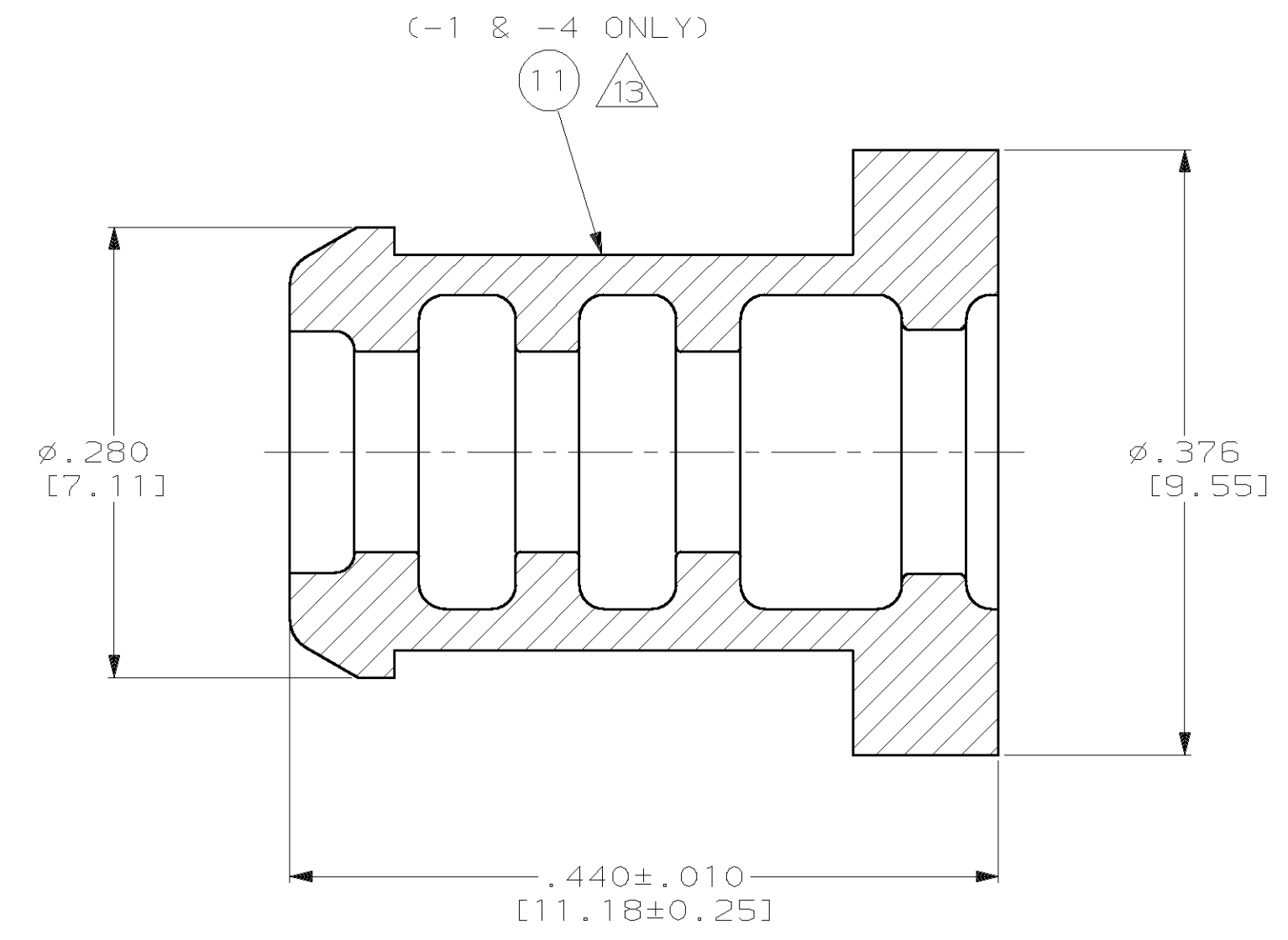
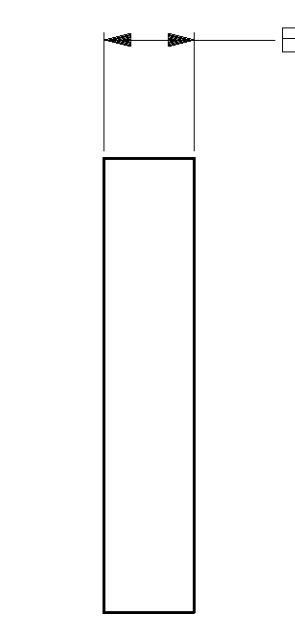
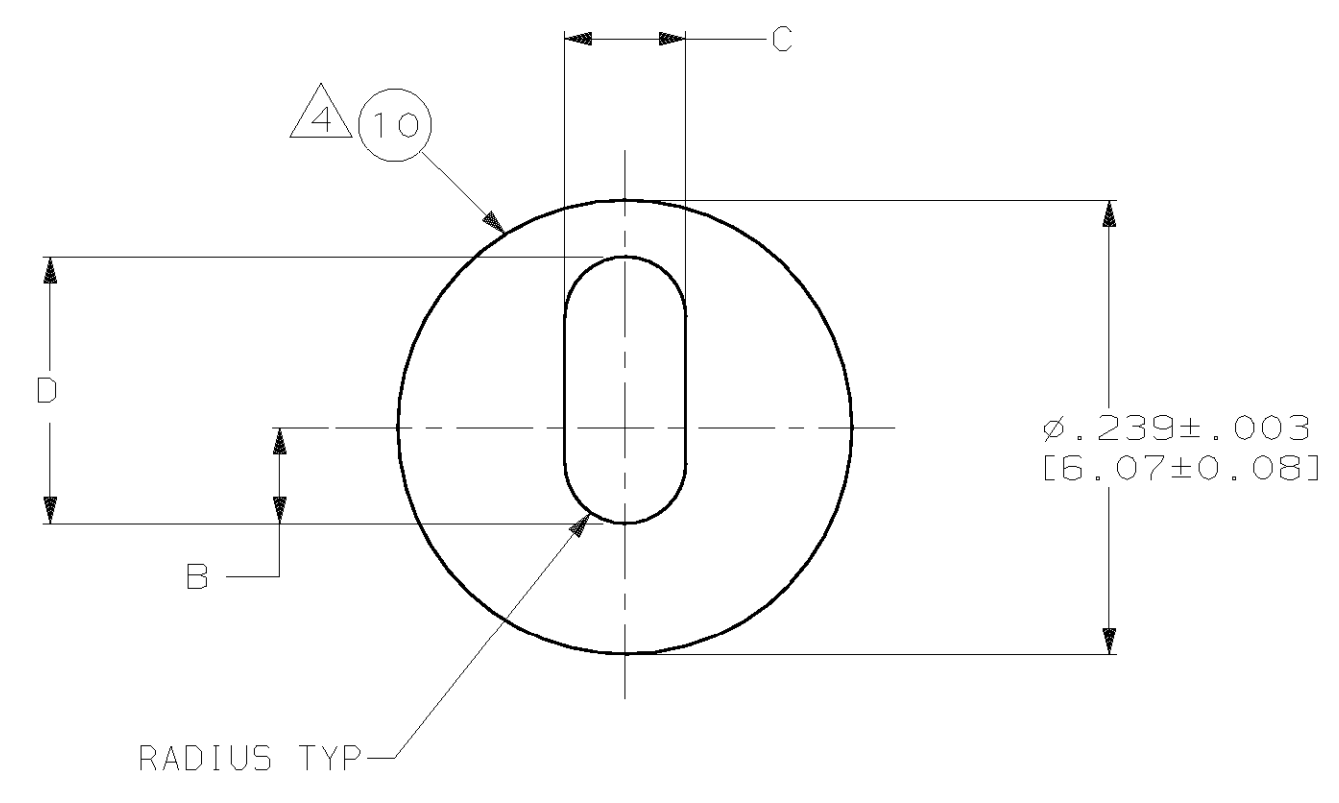
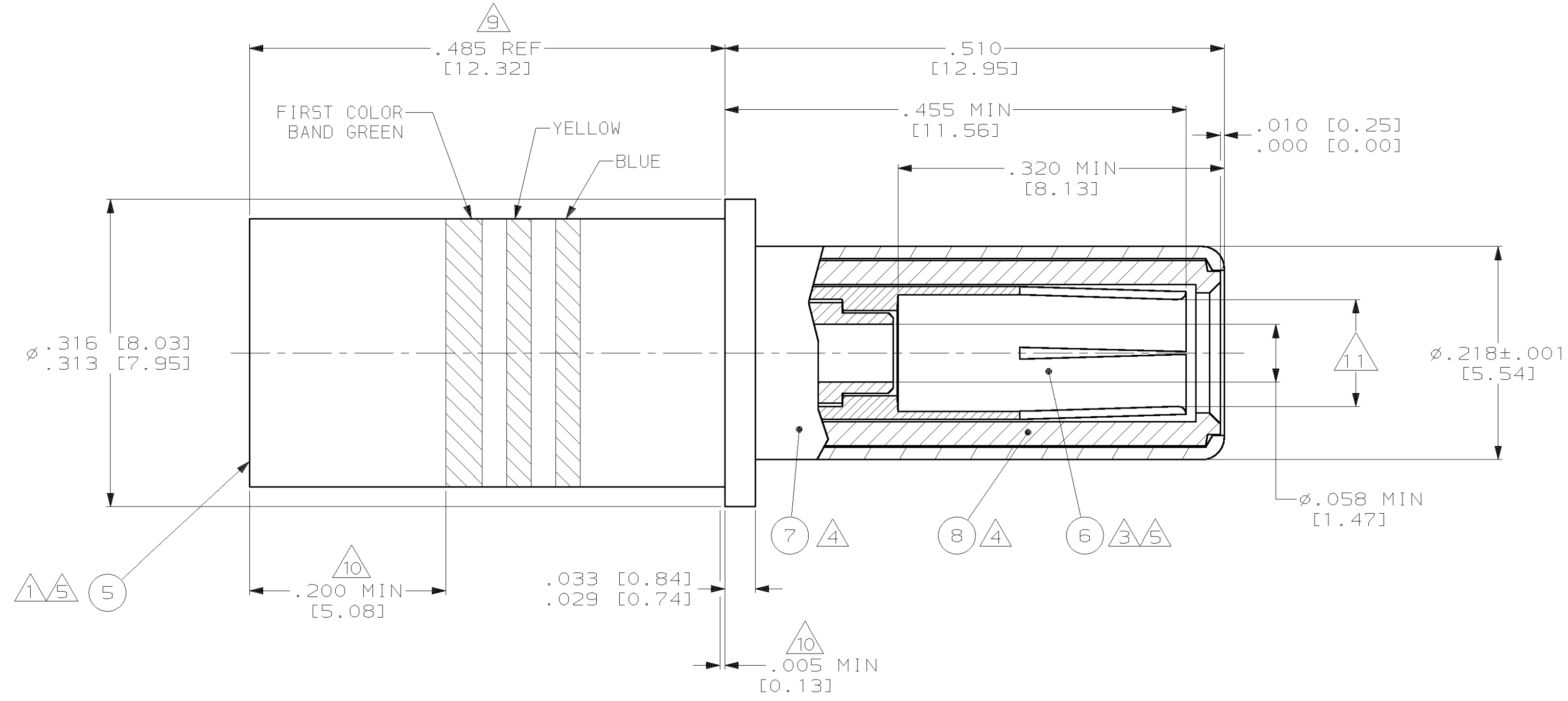
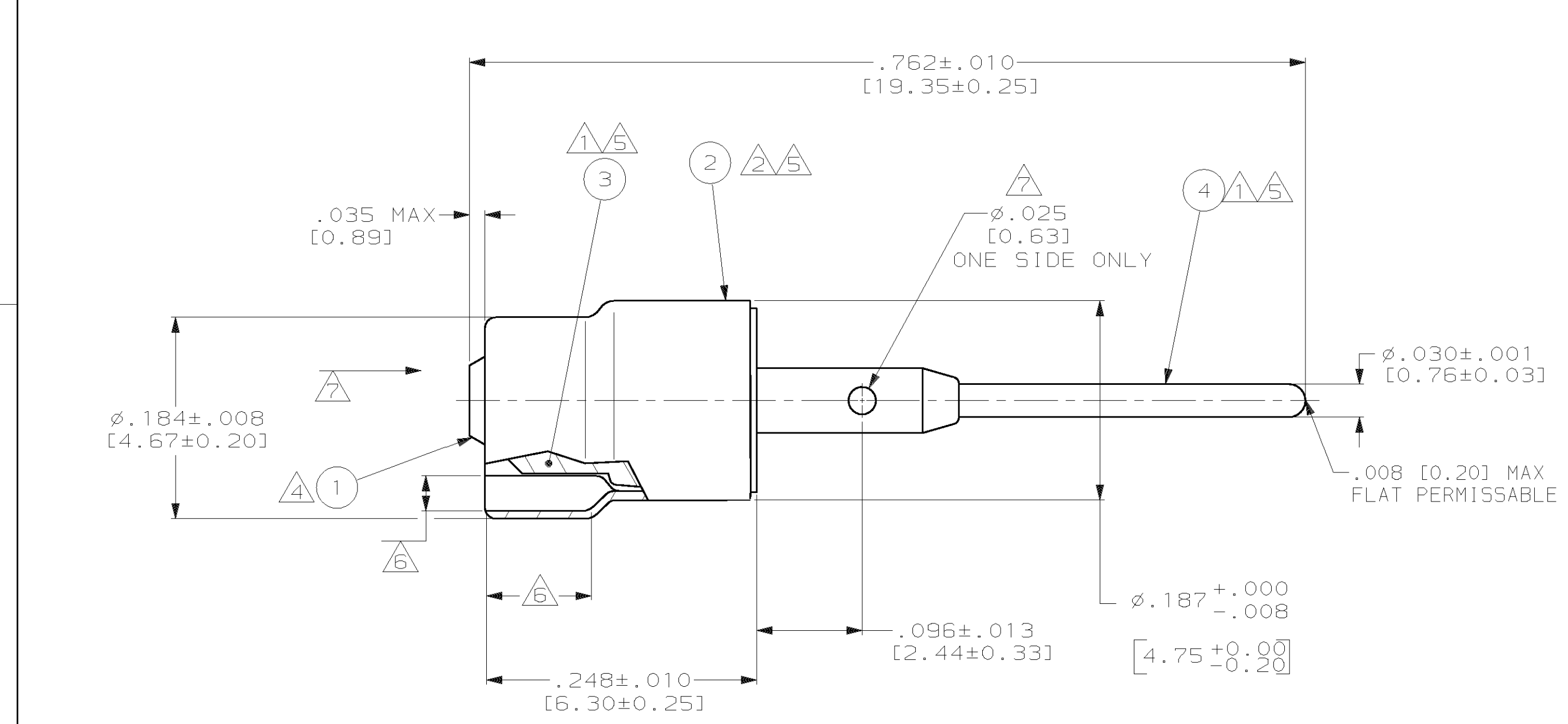
Email & Skype: info@chipsmall.com Web: www.chipsmall.com

Address: A1208, Overseas Decoration Building, #122 Zhenhua RD., Futian, Shenzhen, China



LOC	DIST	P	F	ZONE	LTR	REVISIONS	DATE	APPD	
DF	X0					6 REV PER 063D-0579-00	CT	1-01	SG

PART NO	CABLE	DIM A	DIM B	DIM C	DIM D	DIM E	REMARKS
222190-1	M17-176-00002; NORTHROP 05A078-1	.143 [3.63]	.032 [0.81]	.054 [1.37]	.112 [2.84]	.047 [1.19]	12
222190-2	M17-176-00002; NORTHROP 05A078-1	.143 [3.63]	.032 [0.81]	.054 [1.37]	.112 [2.84]	.047 [1.19]	12
222190-3	TENSOLITE 24463/9P025X-2 (LD) OR TENSOLITE 24463/9B017X-2 (LD) (OBSOLETE)	.157 [3.99]	.050 [1.27]	.063 [1.60]	.140 [3.56]	.052 [1.32]	-
222190-4	M17-176-00002; NORTHROP 05A078-1	.143 [3.63]	.032 [0.81]	.054 [1.37]	.112 [2.84]	.047 [1.19]	-



- 1 MAT'L: BRASS PER ASTM-B-16
- 2 MAT'L: COPPER PER ASTM-B-152.
- 3 MAT'L: BERYLLIUM COPPER PER ASTM-B-196.
- 4 MAT'L: PTFE PER ASTM-D-1710.
- 5 FINISH: GOLD PLATE PER MIL-G-45204, TYPE 1, GRADE C, CLASS 1 OVER NICKEL .000050 [0.0013] THK PER QQ-N-290, CLASS 2.
- 6 A .0285 [0.72] GAGE PIN MUST ENTER FOR A LENGTH OF .085 [2.16] MIN.
- 7 .028 [0.71] GO - .030 [0.76] NO GO GAGE WILL ENTER TO A DEPTH OF SIGHT HOLE.
- 8 160 DP. FULL DIAMOND KNURL OVER THIS LENGTH.
- 9 .533 [13.54] MAX AFTER TERMINATION TO CABLE
- 10 BANDS COLOR CODED PER MIL-C-39029 COLOR CODE BANDS CAN BE LOCATED ANYWHERE BETWEEN THE .200 [5.08] MIN AND .005 [0.13] MIN DIMENSIONS.
- 11 MATES WITH A .113±.001 [2.87±0.03] PIN.
- 12 BAG MARKED WITH CUSTOMER P/N (05A075-1) FOR -1 & -2 ONLY.
- 13 MAT'L: FLOURSILICONE MLDG. CMPD. PER ZZ-R-765.

SEALING PLUG	11
BUSHING	10
FERRULE	9
DIELECTRIC, OUTER, FRONT	8
DIELECTRIC	7
CONTACT, INTERMEDIATE, SIZE 8	6
SHELL, OUTER, PIN	5
CONTACT, CENTER, PIN	4
SHELL, CRIMP END	3
FERRULE	2
DIELECTRIC	1

DO NOT SCALE PRINT. UNLESS SPECIFIED DIMENSIONS IN INCHES [mm] TOLERANCES ON: 2 PLC DEC ± - 3 PLC DEC ± .005 [0.13] ANGLES ± -	DR 7-26-93 C.C. THOMAS CHK 8-11-93 C. SHELLY APPD 8-11-93 C. SHELLY APPD 8-11-93 C.C. THOMAS	<b>AMP</b> AMP Incorporated Harrisburg, PA 17105-3608 NAME PIN, SIZE 8, KIT, ARINC-TWINAX		
MATERIAL SEE CALLOUTS	PRODUCT SPEC 108-12092			
FINISH SEE CALLOUTS	APPLICATION SPEC 114-12010	SIZE D	CAGE CODE 00779	DRAWING NO G-222190
WEIGHT -		SCALE 10:1	SHEET 1 OF 1	

THIS DRAWING IS A CONTROLLED DOCUMENT FOR AMP INCORPORATED. IT IS SUBJECT TO CHANGE AND THE CONTROLLING ENGINEERING ORGANIZATION SHOULD BE CONTACTED FOR THE LATEST REVISION.