



Chipsmall Limited consists of a professional team with an average of over 10 year of expertise in the distribution of electronic components. Based in Hongkong, we have already established firm and mutual-benefit business relationships with customers from,Europe,America and south Asia,supplying obsolete and hard-to-find components to meet their specific needs.

With the principle of "Quality Parts,Customers Priority,Honest Operation,and Considerate Service",our business mainly focus on the distribution of electronic components. Line cards we deal with include Microchip,ALPS,ROHM,Xilinx,Pulse,ON,Everlight and Freescale. Main products comprise IC,Modules,Potentiometer,IC Socket,Relay,Connector.Our parts cover such applications as commercial,industrial, and automotives areas.

We are looking forward to setting up business relationship with you and hope to provide you with the best service and solution. Let us make a better world for our industry!



Contact us

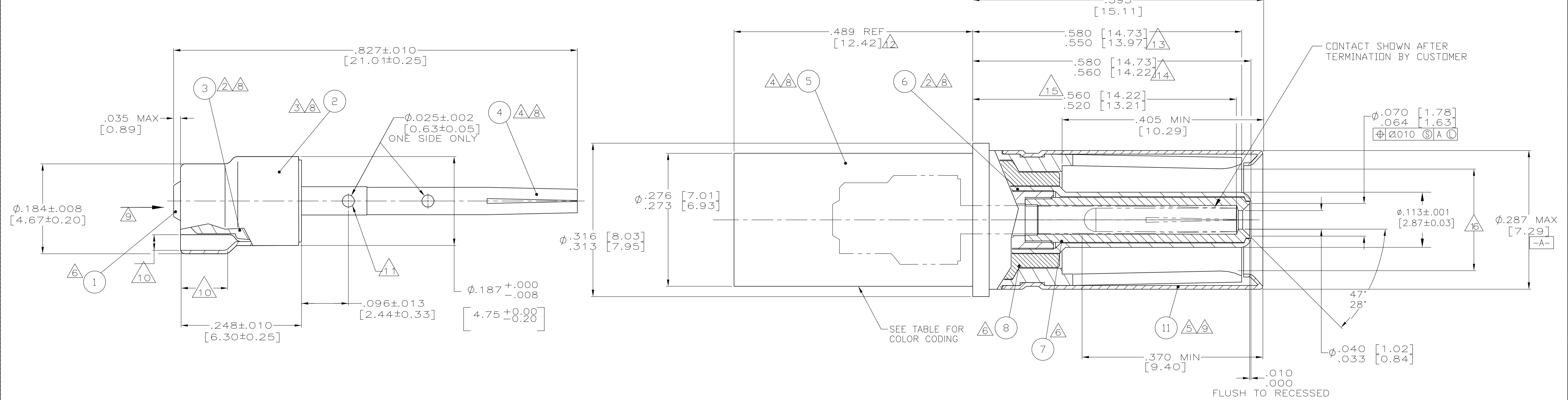
Tel: +86-755-8981 8866 Fax: +86-755-8427 6832

Email & Skype: info@chipsmall.com Web: www.chipsmall.com

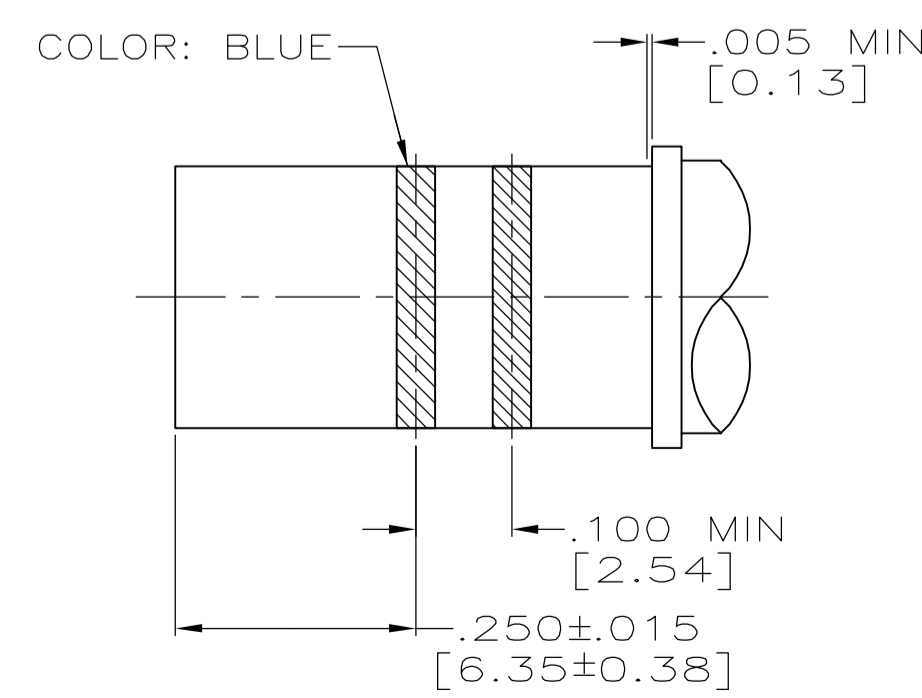
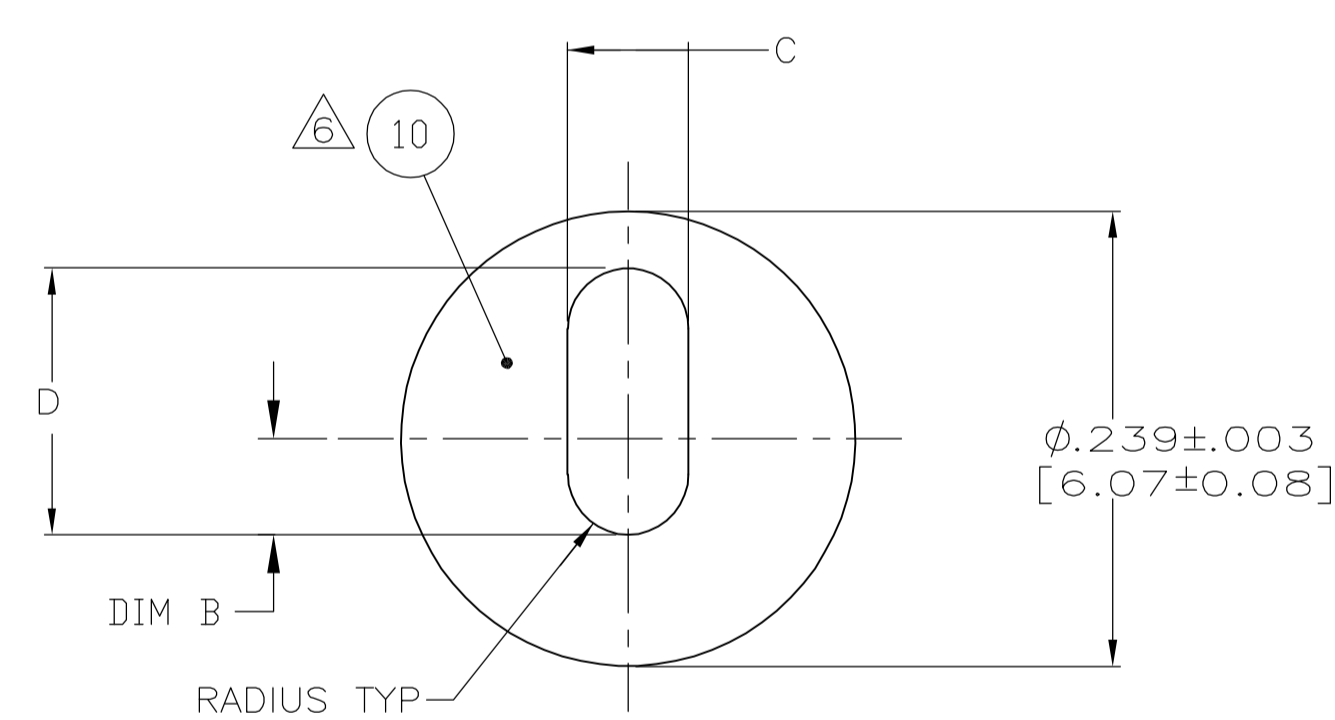
Address: A1208, Overseas Decoration Building, #122 Zhenhua RD., Futian, Shenzhen, China



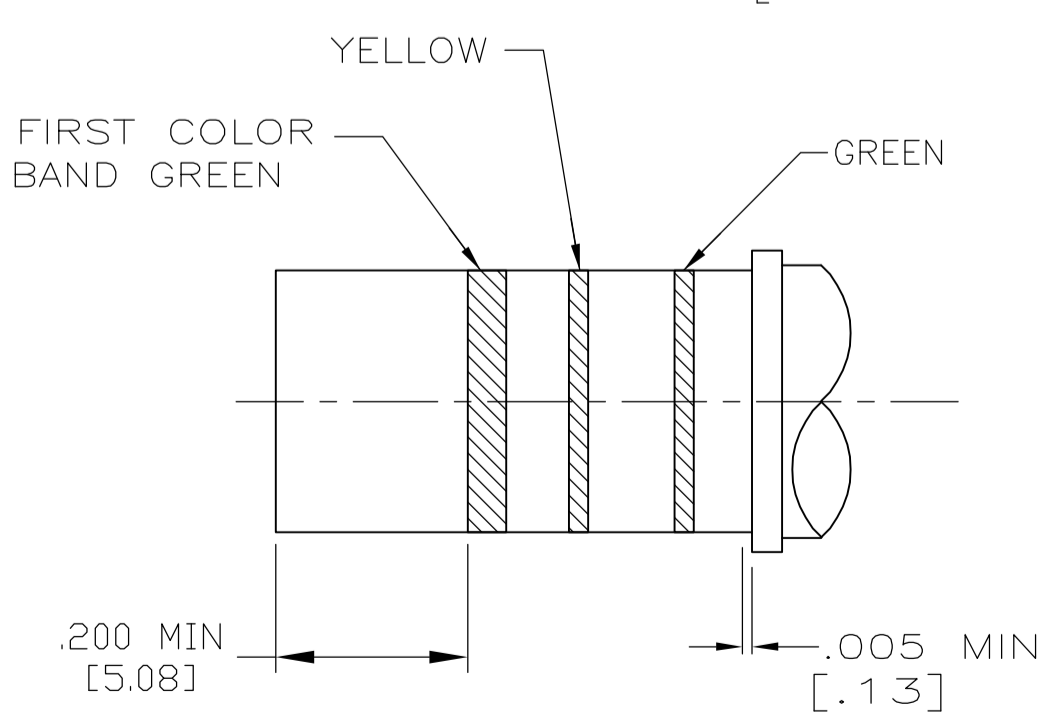
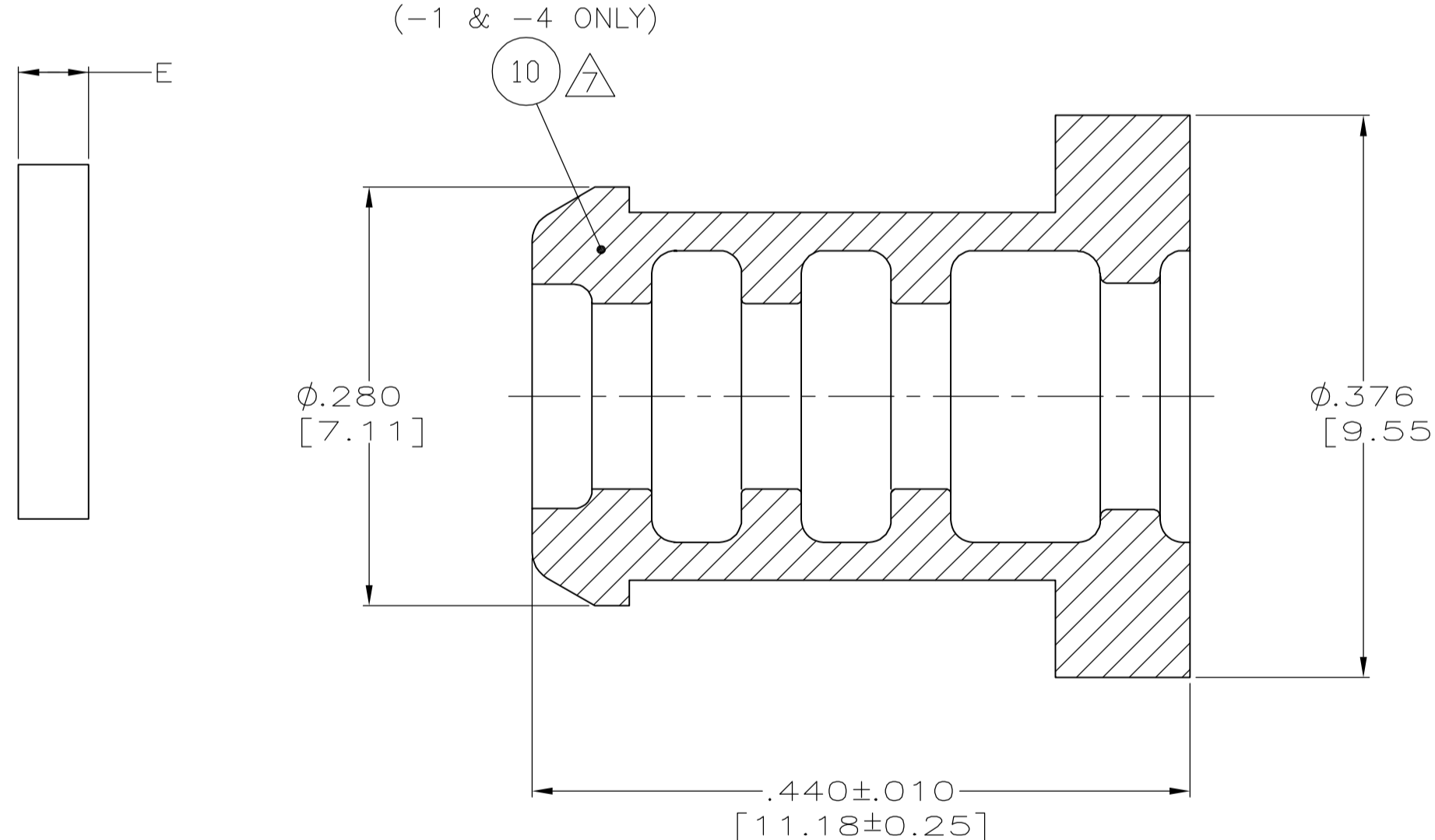
PART NO	CABLE	COLOR CODE	DIM F	DIM B	DIM C	DIM D	DIM E	REMARKS
222191-1	M17-176-00002; NORTHROP 05A078-1	VIEW S	.143 [3.63]	.032 [0.81]	.054 [1.37]	.112 [2.84]	.047 [1.19]	19
222191-2	M17-176-00002; NORTHROP 05A078-1	VIEW S	.143 [3.63]	.032 [0.81]	.054 [1.37]	.112 [2.84]	.047 [1.19]	19
222191-3	TENSOLITE 24463/9P025X-2(LD) OR TENSOLITE 24463/9B017X-2(LD) (OBSOLETE)	VIEW U	.157 [3.99]	.050 [1.27]	.063 [1.60]	.140 [3.56]	.052 [1.32]	20 1
222191-4	M17-176-00002; NORTHROP 05A078-1	VIEW S	.143 [3.63]	.032 [0.81]	.054 [1.37]	.112 [2.84]	.047 [1.19]	
222191-5	TENSOLITE 24463/9P025X-2(LD) OR TENSOLITE 24463/9B017X-2(LD) (OBSOLETE)	VIEW U	.157 [3.99]	.050 [1.27]	.063 [1.60]	.140 [3.56]	.052 [1.32]	21 1
222191-6	PRELIMINARY NOT RELEASED FOR PRODUCTION							
222191-7	PRELIMINARY NOT RELEASED FOR PRODUCTION							
222191-8	RAYCHEM 10614	VIEW S	.174 [4.42]	.032 [0.81]	.054 [1.37]	.112 [2.84]	.047 [1.19]	



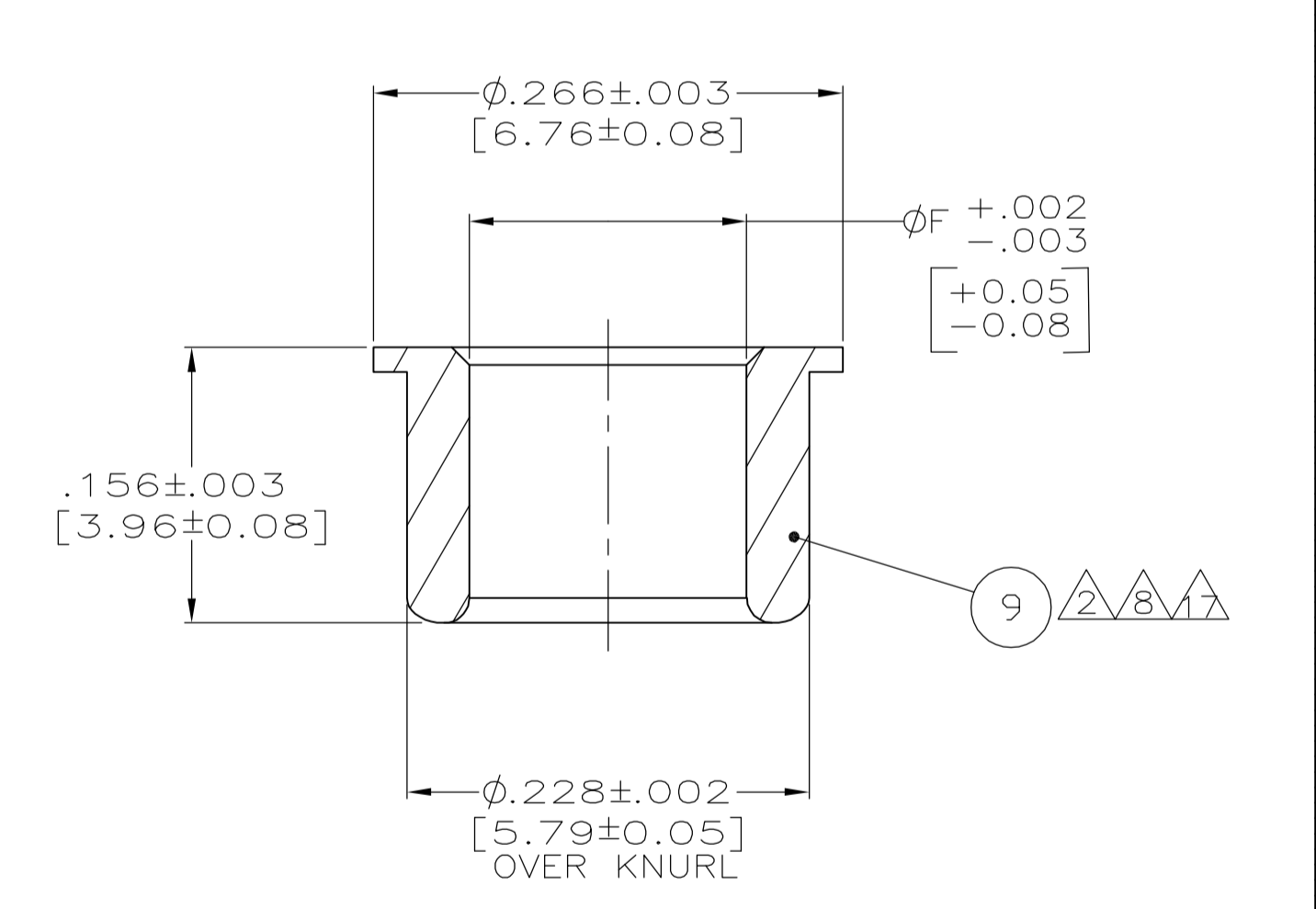
- 1 PRODUCT DESIGN TO MEET BOEING S280W552 DRAWING.
- 2 MAT'L: BRASS PER ASTM-B-16
- 3 MAT'L: COPPER PER ASTM-B-152.
- 4 MAT'L: BERYLLIUM COPPER PER ASTM-B-196.
- 5 MAT'L: STAINLESS STEEL PER QQ-S-766.
- 6 MAT'L: PTFE PER ASTM-D-1710.
- 7 MAT'L: FLUOROSILICONE MLDG. CMPD. PER ZZ-R-765.
- 8 FINISH: GOLD PLATE PER MIL-G-45204, TYPE 1, GRADE C, CLASS 1 OVER NICKEL .000050 [0.0013] THK PER QQ-N-290, CLASS 2.
- 9 FINISH: PASSIVATE PER QQ-P-35.
- 10 A .0285 [0.72] GAGE PIN MUST ENTER FOR A LENGTH OF .085 [2.16] MIN.
- 11 .028 [0.71] GD - .031 [0.79] NO GD GAGE WILL ENTER TO A DEPTH OF FIRST SIGHT HOLE.
- 12 .533 [13.54] MAX AFTER TERMINATION TO CABLE. TO END OF OUTER SOCKET CONTACT.
- 13 TO END OF INTERMEDIATE PIN CONTACT AND CENTER SOCKET INSULATOR.
- 14 TO END OF CENTER SOCKET CONTACT.
- 15 MATES WITH .218 #001 [5.53 #0.03] DIA PIN.
- 16 160 DP. FULL DIAMOND KNURL OVER THIS LENGTH.
- 17 COLOR CODE PER MIL-C-39029. COLOR CODE BANDS CAN BE LOCATED ANYWHERE BETWEEN THE .200 [5.08] MIN AND .005 [0.13] MIN DIMS.
- 18 BAG MARKED WITH CUST. P/N 05A076-1. (-1 & -2 ONLY.)
- 19 BAG MARKED WITH CUST. P/N S280W552-105, (FOR -3 ONLY.)
- 20 BAG MARKED WITH CUST. P/N S280W552-205, (FOR -5 ONLY.)



VIEW U
SCALE 5:1



VIEW S
SCALE 5:1



SEALING PLUG	12
HOOD, SOCKET	11
BUSHING	10
FERRULE	9
DIELECTRIC, OUTER, FRONT	8
DIELECTRIC	7
CONTACT, INTERMEDIATE, SIZE 8	6
SHELL, OUTER, SOCKET	5
CONTACT, SOCKET	4
SHELL, CRIMP END	3
FERRULE	2
DIELECTRIC	1

THIS DRAWING IS A CONTROLLED DOCUMENT.

DIMENSIONS: INCHES [mm]	TOLERANCES UNLESS OTHERWISE SPECIFIED:	DIN T. THOMPSON 10-26-94	APVD C. SHELLY 10-28-94	NAME	RESTRICTED TO
0 PLC ± -	1 PLC ± -	2 PLC ± -	3 PLC ± .006 [0.15]	4 PLC ANGLES ± -	
MATERIAL SEE CALLOUTS	FINISH SEE CALLOUTS	WEIGHT	SIZE	CAGE CODE	DRAWING NO
			A1	00779	222191
CUSTOMER DRAWING			SCALE 10:1	SHEET 1 of 1	REV L

AMP Tyco Electronics Corporation
 Harrisburg, PA 17105-3608

SOCKET CONTACT, SIZE 8 REAR RELEASE, CONCENTRIC TWINAX