



Chipsmall Limited consists of a professional team with an average of over 10 year of expertise in the distribution of electronic components. Based in Hongkong, we have already established firm and mutual-benefit business relationships with customers from,Europe,America and south Asia,supplying obsolete and hard-to-find components to meet their specific needs.

With the principle of “Quality Parts,Customers Priority,Honest Operation,and Considerate Service”,our business mainly focus on the distribution of electronic components. Line cards we deal with include Microchip,ALPS,ROHM,Xilinx,Pulse,ON,Everlight and Freescale. Main products comprise IC,Modules,Potentiometer,IC Socket,Relay,Connector.Our parts cover such applications as commercial,industrial, and automotives areas.

We are looking forward to setting up business relationship with you and hope to provide you with the best service and solution. Let us make a better world for our industry!



Contact us

Tel: +86-755-8981 8866 Fax: +86-755-8427 6832

Email & Skype: info@chipsmall.com Web: www.chipsmall.com

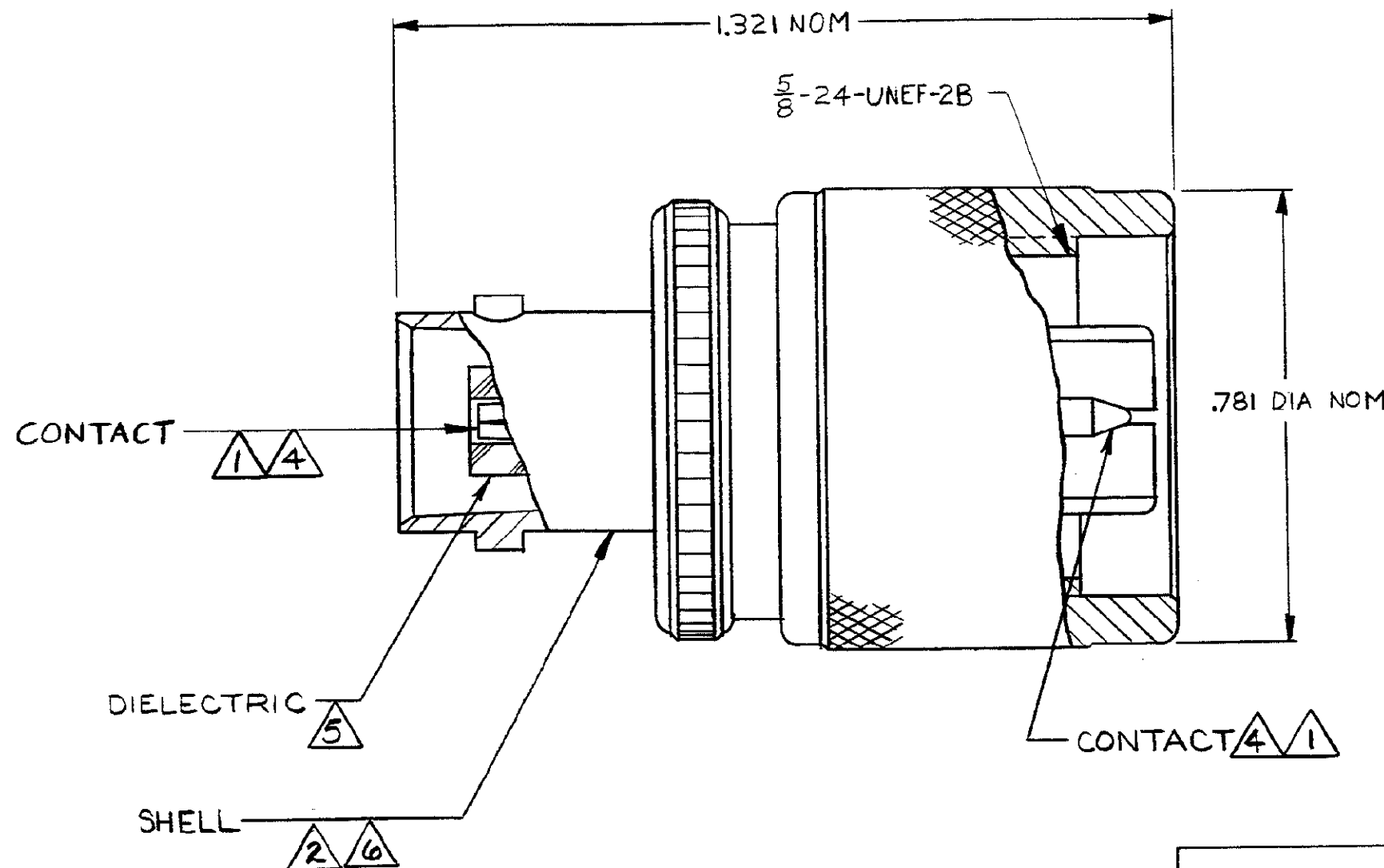
Address: A1208, Overseas Decoration Building, #122 Zhenhua RD., Futian, Shenzhen, China



THIS DRAWING IS UNPUBLISHED. RELEASED FOR PUBLICATION

© COPYRIGHT 19 BY AMP INCORPORATED, HARRISBURG, PA. ALL INTERNATIONAL RIGHTS RESERVED. AMP PRODUCTS MAY BE COVERED BY U.S. AND FOREIGN PATENTS AND/OR PATENTS PENDING.

REVISIONS						
P	F	ZONE	LTR	DESCRIPTION	DATE	APPROVED
				RELEASED PR 87-3513-003	5/28/87	RHA/DH
		A		REV PER AJ-2864	10-12-87	Lam/DH



- ① GOLD PL PER MIL-G-45204, .000030 THK.
- ② NICKEL PL PER QQ-N-290
- ③ COMPARABLE UG/U CONNECTOR: 201 A/U
- ④ BERYLLIUM COPPER
- ⑤ PTFE
- ⑥ BRASS

222321-1
PART NO

UNLESS OTHERWISE SPECIFIED DIMENSIONS ARE IN INCHES. TOLERANCES ON: DECIMALS ± — ANGLES ± —	CONTRACT NO	AMP AMP INCORPORATED Harrisburg, Pa.	
	DR <i>Ray Alexander</i> 5/29/87		
MATERIAL ③ THRU ⑤	CHK <i>J.S. Heide</i> 6/2/87	NAME ADAPTER, BNC JACK TO N PLUG	
FINISH ① ②	APPD <i>Dan Whittle</i> 6-2-87	SIZE B	FSCM NO 00779
	APPD <i>[Signature]</i> 9/1/87	DRAWING NO 222321-1	SHEET 1 OF 1
	DSGN APPD	SCALE 4:1	
	OTHER APPD		