



Chipsmall Limited consists of a professional team with an average of over 10 year of expertise in the distribution of electronic components. Based in Hongkong, we have already established firm and mutual-benefit business relationships with customers from,Europe,America and south Asia,supplying obsolete and hard-to-find components to meet their specific needs.

With the principle of “Quality Parts,Customers Priority,Honest Operation,and Considerate Service”,our business mainly focus on the distribution of electronic components. Line cards we deal with include Microchip,ALPS,ROHM,Xilinx,Pulse,ON,Everlight and Freescale. Main products comprise IC,Modules,Potentiometer,IC Socket,Relay,Connector.Our parts cover such applications as commercial,industrial, and automotives areas.

We are looking forward to setting up business relationship with you and hope to provide you with the best service and solution. Let us make a better world for our industry!



Contact us

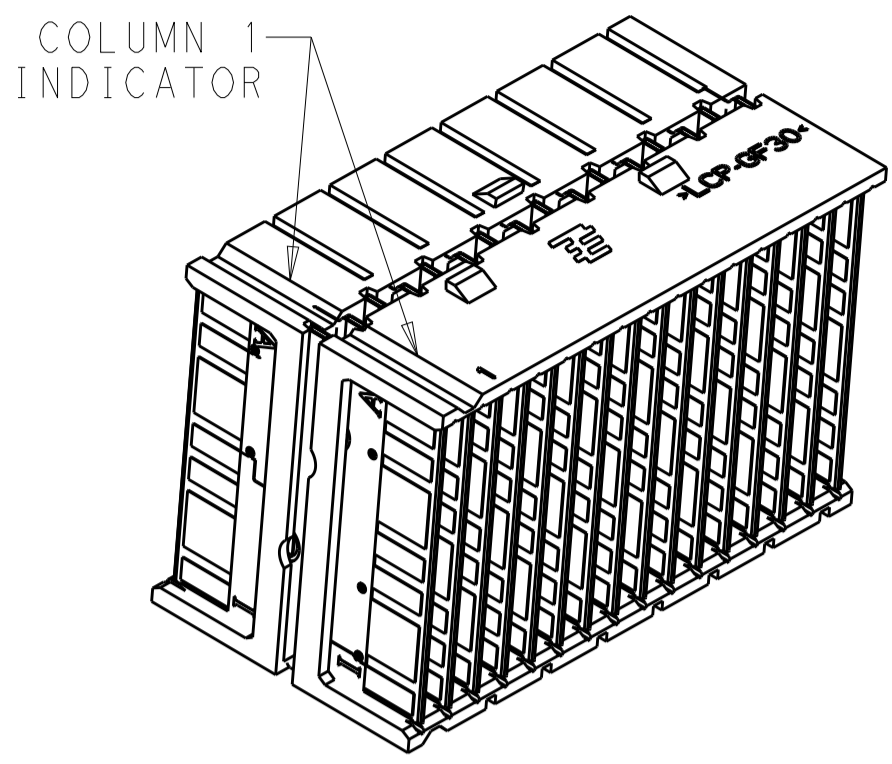
Tel: +86-755-8981 8866 Fax: +86-755-8427 6832

Email & Skype: info@chipsmall.com Web: www.chipsmall.com

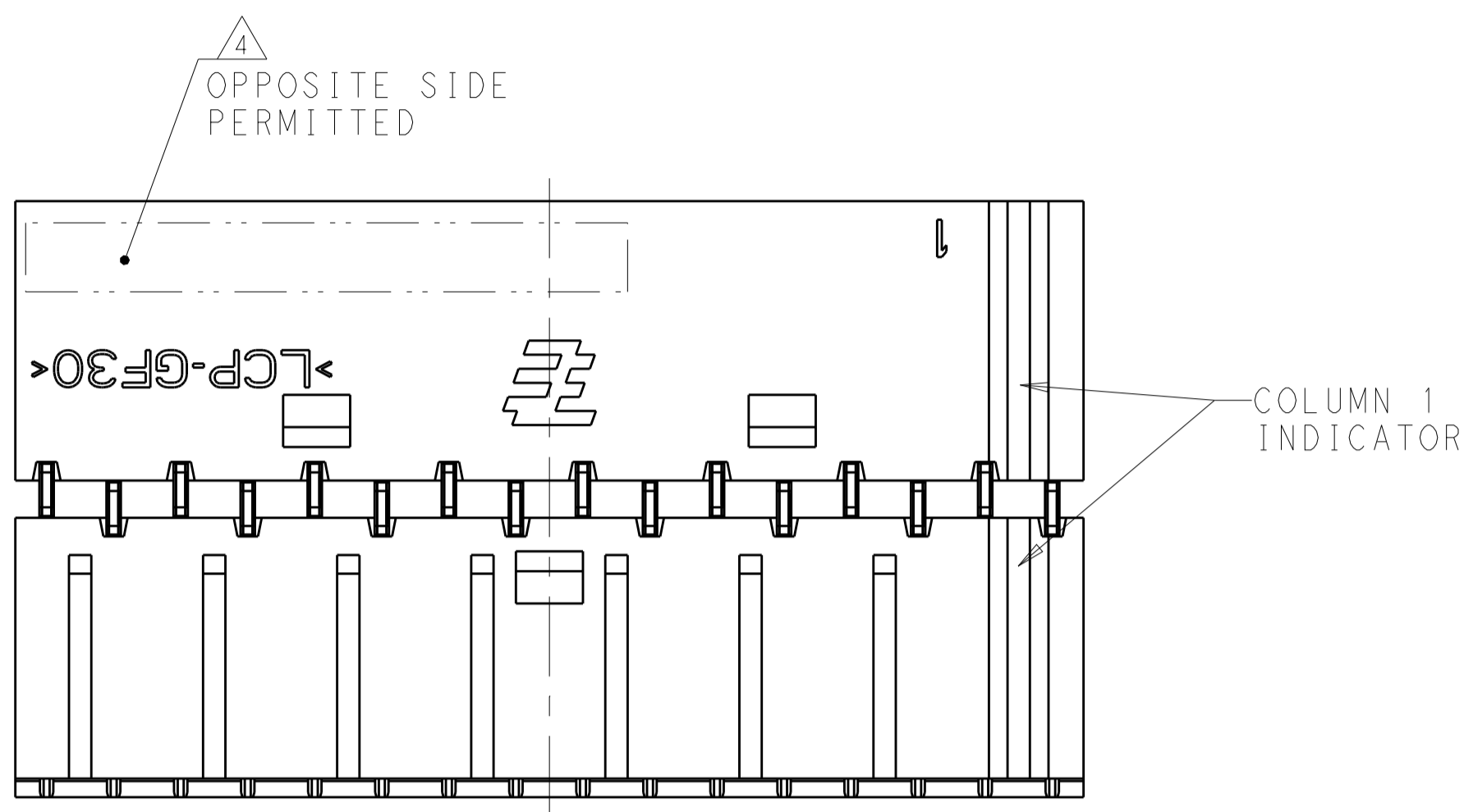
Address: A1208, Overseas Decoration Building, #122 Zhenhua RD., Futian, Shenzhen, China



LOC		DIST		REVISIONS			
P	LTN	DESCRIPTION	DATE	DWN	APVD		
	A	RELEASED PER ECO-13-007603	06MAY2013	KM	DH		



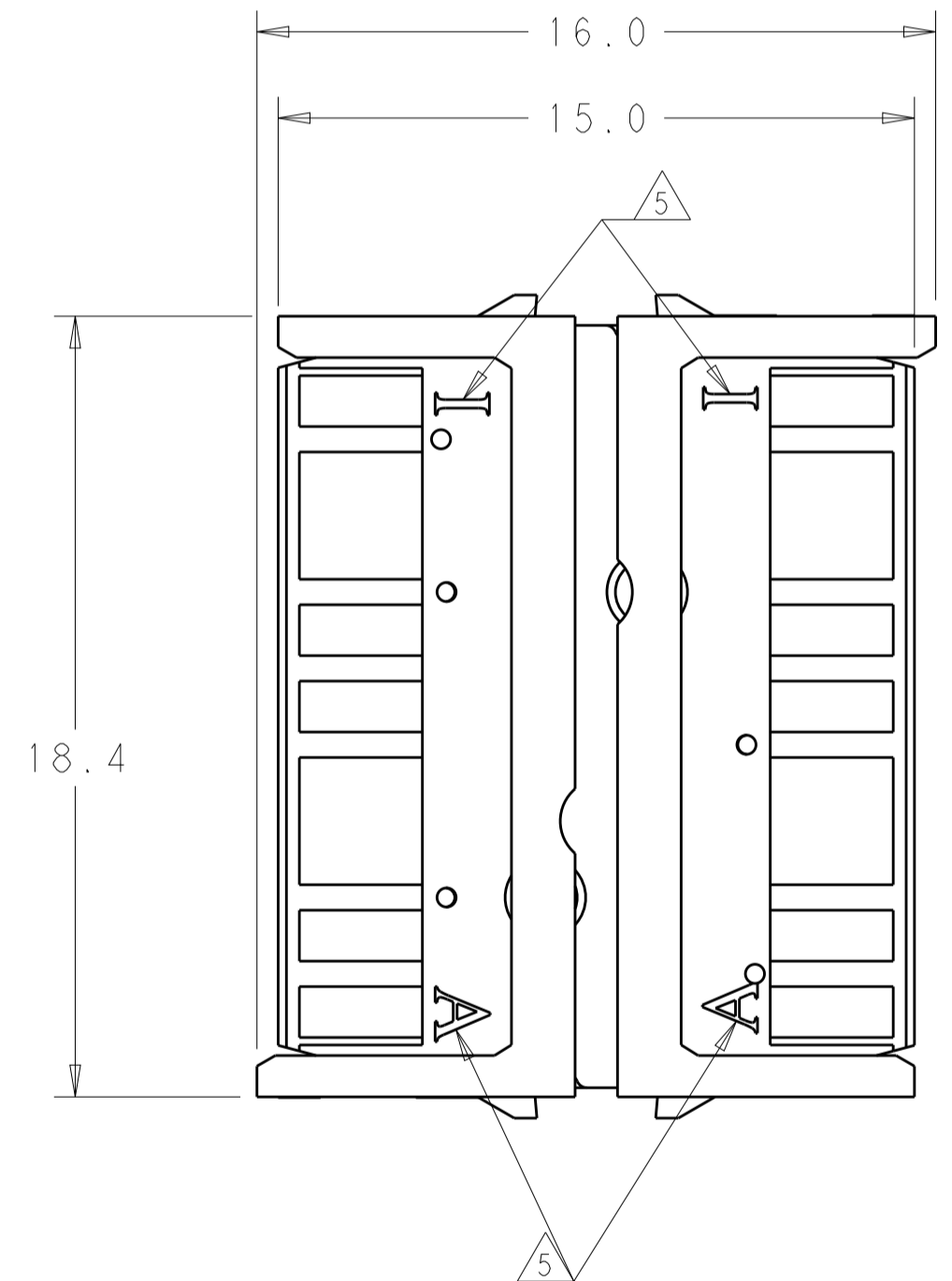
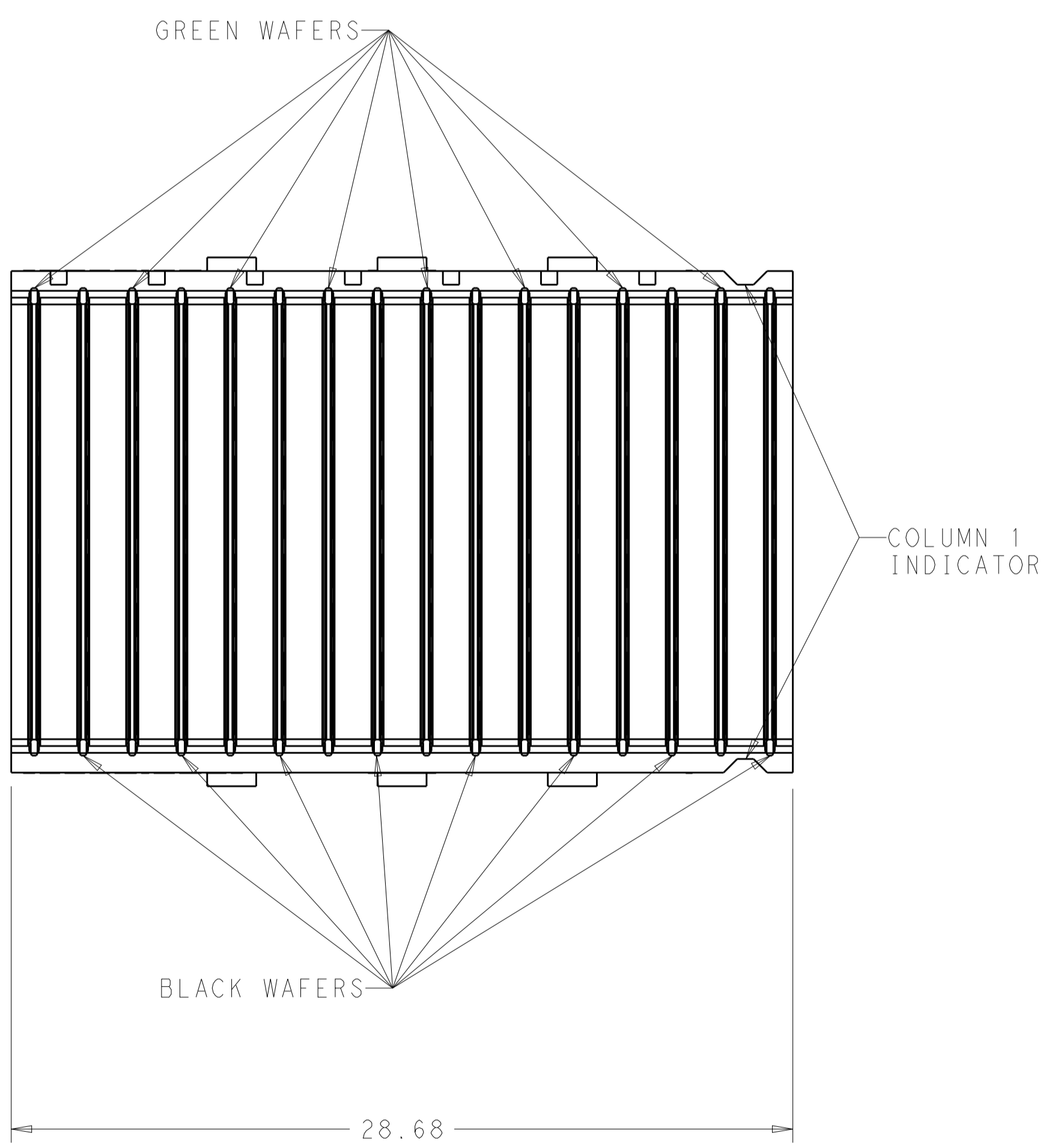
SCALE 3:1



- 1 HOUSING: LCP, UL94V0, COLOR: BLACK.
WAFER: FR4.
- 2 CONTACT: 1.27µm MIN GOLD PLATED IN PAD CONTACT AREA
OVER 3.81µm MIN NICKEL
- 3. SEE TABLE FOR INTERCONNECTIONS TO
BACKPLANE CONNECTOR.
- 4 PART NUMBER AND DATE CODE (yyww) LOCATED ON
SURFACE INDICATED.
- 5 ROW INDICATORS

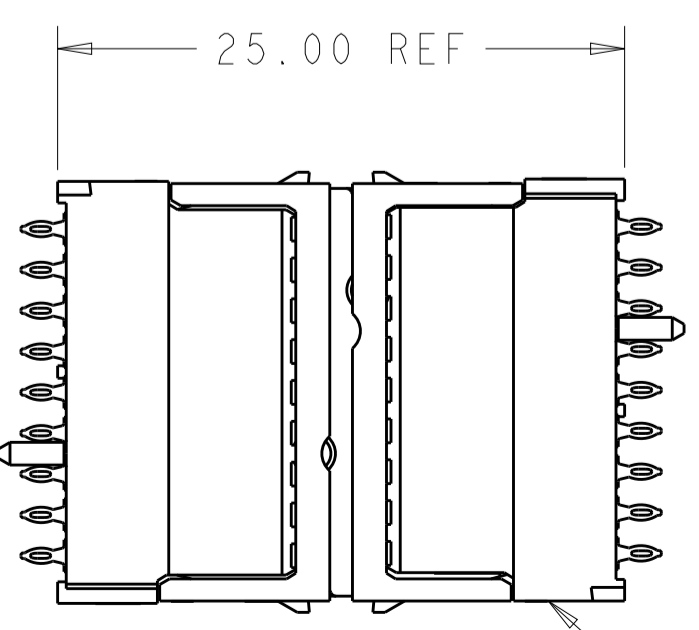
TYPICAL INTERCONNECTIONS FOR EACH ODD-NUMBERED COLUMN (BLACK WAFER): 1, 3, 5, 7, 9, 11, 13, 15

CONTACT USAGE	DAUGHTERCARD/MAIN CARD	MEZZANINE/CARRIER CARD
SIGNAL PAIR	ax	ax
	bx	bx
SIGNAL PAIR	ex	ex
	fx	fx
SIGNAL	ix	ix
GROUPS ALL COMMONED	cx, dx, gx, hx	cx, dx, gx, hx



TYPICAL INTERCONNECTIONS FOR EACH EVEN-NUMBERED COLUMN (GREEN WAFER): 2, 4, 6, 8, 10, 12, 14, 16

CONTACT USAGE	DAUGHTERCARD/MAIN CARD	MEZZANINE/CARRIER CARD
SIGNAL PAIR	cx	cx
	dx	dx
SIGNAL PAIR	gx	gx
	hx	hx
GROUPS ALL COMMONED	ax, bx, ex, fx, ix	ax, bx, ex, fx, ix



SCALE 3:1

2226027-1
PART NO

THIS DRAWING IS A CONTROLLED DOCUMENT.		DWN K. MILLER 10MAY2012	TE Connectivity MEZZANINE CONNECTOR, 25mm STACK HEIGHT, DIFFERENTIAL, 16 WAFER VITA 46, 7 RW, MULTIGIG RT2
DIMENSIONS: mm		CHK K. THACKSTON 17MAY2012	
TOLERANCES UNLESS OTHERWISE SPECIFIED:		APVD M. MCALONIS 16OCT2012	NAME
0 PLC ±0.5	1 PLC ±0.13	PRODUCT SPEC	SIZE
2 PLC ±0.013	3 PLC ±0.013	APPLICATION SPEC	CAGE CODE
4 PLC ±0.0001	ANGLES ±0.0001	114-13056	DRAWING NO
MATERIAL		WEIGHT	RESTRICTED TO
FINISH		Customer Drawing	SCALE 6:1 SHEET 1 OF 1 REV A