



Chipsmall Limited consists of a professional team with an average of over 10 year of expertise in the distribution of electronic components. Based in Hongkong, we have already established firm and mutual-benefit business relationships with customers from,Europe,America and south Asia,supplying obsolete and hard-to-find components to meet their specific needs.

With the principle of "Quality Parts,Customers Priority,Honest Operation,and Considerate Service",our business mainly focus on the distribution of electronic components. Line cards we deal with include Microchip,ALPS,ROHM,Xilinx,Pulse,ON,Everlight and Freescale. Main products comprise IC,Modules,Potentiometer,IC Socket,Relay,Connector.Our parts cover such applications as commercial,industrial, and automotives areas.

We are looking forward to setting up business relationship with you and hope to provide you with the best service and solution. Let us make a better world for our industry!



## Contact us

Tel: +86-755-8981 8866 Fax: +86-755-8427 6832

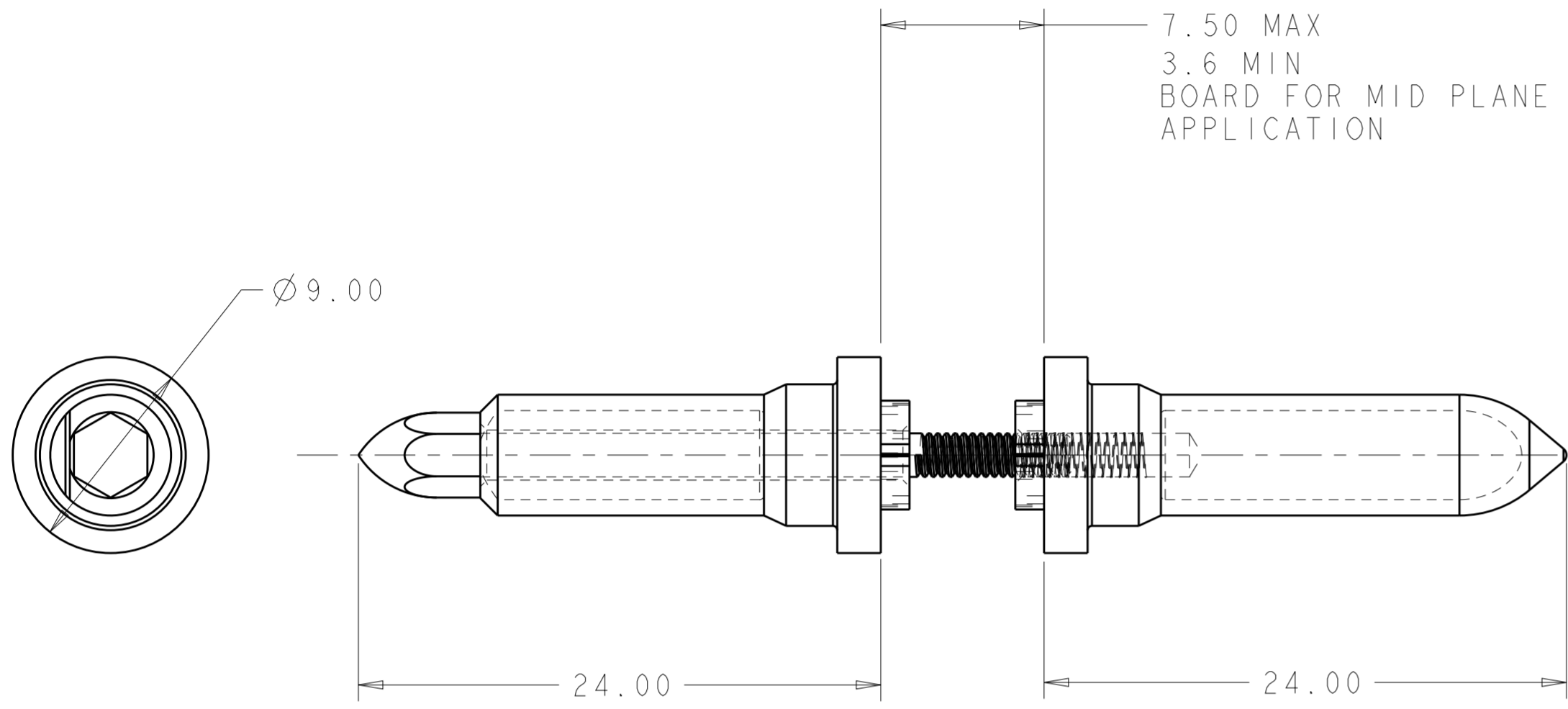
Email & Skype: info@chipsmall.com Web: www.chipsmall.com

Address: A1208, Overseas Decoration Building, #122 Zhenhua RD., Futian, Shenzhen, China

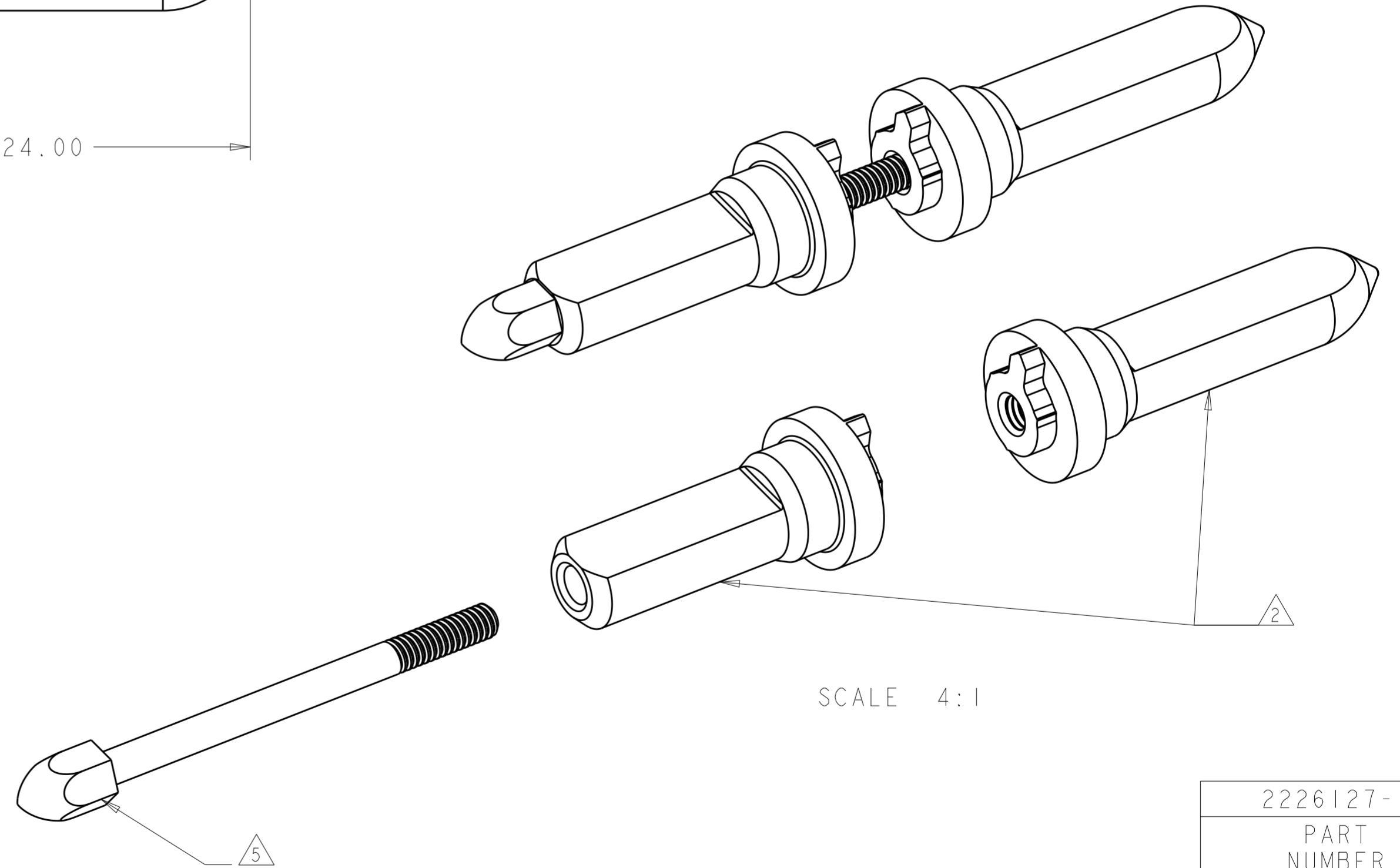


THIS DRAWING IS UNPUBLISHED. RELEASED FOR PUBLICATION 20  
 © COPYRIGHT 20 BY TE CONNECTIVITY ALL RIGHTS RESERVED.

LOC		DIST		REVISIONS			
P	LTR	DESCRIPTION	DATE	DWN	APVD		
-	-	A	RELEASED PER ECO 13-012017	8-2-13	CT	DH	



- 1 MATERIAL: STAINLESS STEEL (303)
- 2 GUIDE PIN FINISH: PASSIVATED
- 3 KEY HOLE ORIENTATION (DIM A) PER MATING GUIDE MODULE PART NUMBER TABLE (ORIENTATION SHOWN ON PCB LAYOUT IS FOR 1-2000677-2, 2-2000677-2, OR 2000713-2)
- 4 ANNULAR RING PLATED AROUND GUIDE PIN MOUNTING HOLE ON TOP AND BOTTOM SIDE OF BOARD
- 5 GUIDE PIN RETAINER FINISH: 3.81µm MINIMUM SILVER OVER NICKEL
- 6. 4.0 IN-LBS MAXIMUM TORQUE



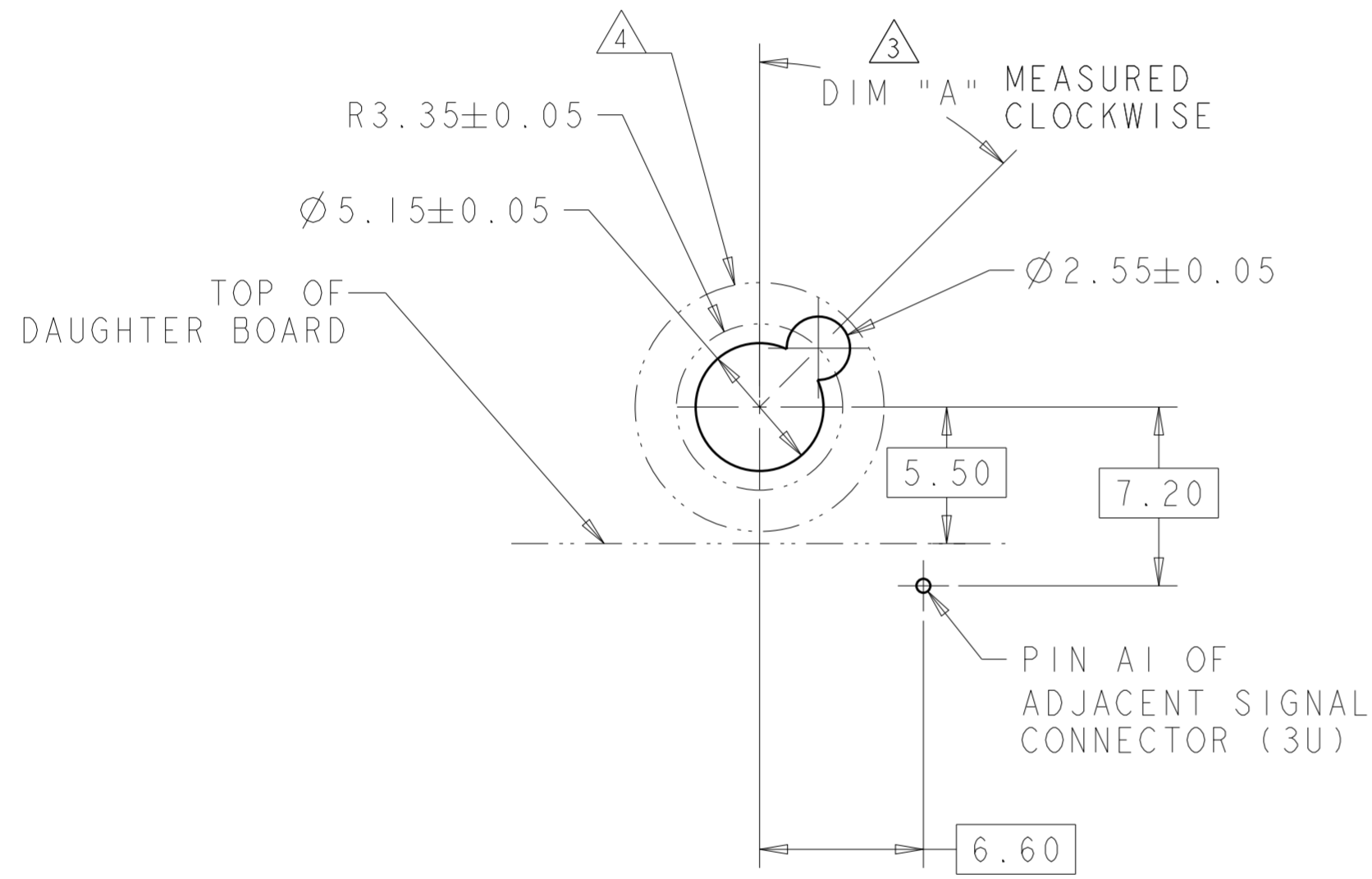
SCALE 4:1

2226127-1  
PART NUMBER

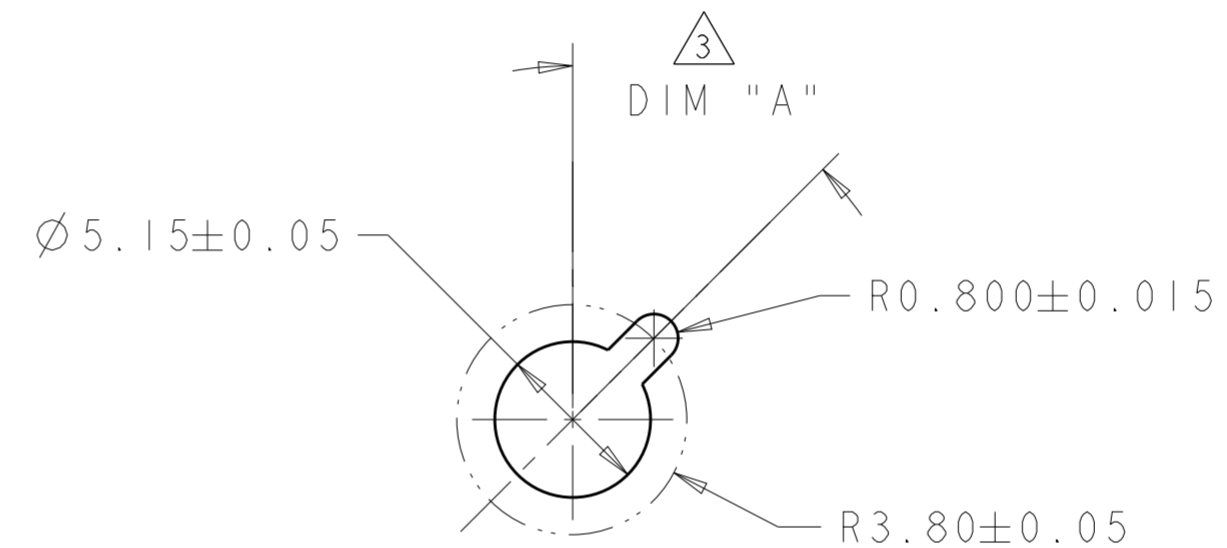
THIS DRAWING IS A CONTROLLED DOCUMENT.		DWN K. MILLER 30 JUL 2012	TE Connectivity	
DIMENSIONS:		CHK N. RUFFINI 01 AUG 2012		
TOLERANCES UNLESS OTHERWISE SPECIFIED:		APVD M. MCALONIS 01 AUG 2012	NAME KEYED GUIDE PIN KIT ASSEMBLY VITA 46, BACKPLANE CONNECTOR, MULTIGIG, THREADED POST, MACHINED	
mm		PRODUCT SPEC 108-2072	RESTRICTED TO	
0 PLC ±- 1 PLC ±0.5 2 PLC ±0.13 3 PLC ±0.013 4 PLC ±- ANGLES ±- FINISH ±-		APPLICATION SPEC 114-13056	SIZE A2	CAGE CODE 00779
MATERIAL		WEIGHT -	DRAWING NO C-2226127	
1 -		CUSTOMER DRAWING		SCALE 4:1 SHEET 1 OF 2 REV A

THIS DRAWING IS UNPUBLISHED. RELEASED FOR PUBLICATION 20  
 © COPYRIGHT 20 BY TE CONNECTIVITY ALL RIGHTS RESERVED.

LOC	DIST	REVISIONS			
P	LTR	DESCRIPTION	DATE	DWN	APVD
-	-	SEE SHEET 1	-	-	-



TIER 2  
 GUIDE PIN FOOTPRINT  
 (20.3mm SIGNAL MODULES)  
 SCALE 4:1



ALTERNATE PCB LAYOUT  
 FOR GUIDE POST  
 SCALE 4:1

W/O ESD SPRING	NO KEY	2-2000677-9
W/O ESD SPRING	315°	2-2000677-8
W/O ESD SPRING	270°	2-2000677-7
W/O ESD SPRING	90°	2-2000677-3
W/O ESD SPRING	45°	2-2000677-2
W/O ESD SPRING	0°	2-2000677-1
W/O ESD SPRING	0°	2-2000677-0
W/O ESD SPRING	NO KEY	1-2000677-9
W/O ESD SPRING	315°	1-2000677-8
W/O ESD SPRING	270°	1-2000677-7
W/O ESD SPRING	90°	1-2000677-3
W/O ESD SPRING	45°	1-2000677-2
W/ESD SPRING	NO KEY	2000713-6
W/ESD SPRING	315°	2000713-5
W/ESD SPRING	270°	2000713-4
W/ESD SPRING	90°	2000713-3
W/ESD SPRING	45°	2000713-2
W/ESD SPRING	0°	2000713-1
ESD SPRING	DIM A	20.3mm GUIDE MODULE

MATING GUIDE MODULE

THIS DRAWING IS A CONTROLLED DOCUMENT.		DWN K. MILLER 30 JUL 2012	TE Connectivity	
DIMENSIONS: mm		CHK N. RUFFINI 01 AUG 2012		
TOLERANCES UNLESS OTHERWISE SPECIFIED:		APVD M. MCALONIS 01 AUG 2012	NAME KEYED GUIDE PIN KIT ASSEMBLY VITA 46, BACKPLANE CONNECTOR, MULTIGIG, THREADED POST, MACHINED	
0 PLC ±		PRODUCT SPEC	RESTRICTED TO	
1 PLC ±0.5		108-2072	SIZE CAGE CODE DRAWING NO	
2 PLC ±0.13		APPLICATION SPEC	A200779 C-2226127	
3 PLC ±0.013		114-13056	SCALE 4:1 SHEET 2 OF 2 REV A	
4 PLC ±		WEIGHT	CUSTOMER DRAWING	
ANGLES ±				
FINISH				