



Chipsmall Limited consists of a professional team with an average of over 10 year of expertise in the distribution of electronic components. Based in Hongkong, we have already established firm and mutual-benefit business relationships with customers from,Europe,America and south Asia,supplying obsolete and hard-to-find components to meet their specific needs.

With the principle of “Quality Parts,Customers Priority,Honest Operation,and Considerate Service”,our business mainly focus on the distribution of electronic components. Line cards we deal with include Microchip,ALPS,ROHM,Xilinx,Pulse,ON,Everlight and Freescale. Main products comprise IC,Modules,Potentiometer,IC Socket,Relay,Connector.Our parts cover such applications as commercial,industrial, and automotives areas.

We are looking forward to setting up business relationship with you and hope to provide you with the best service and solution. Let us make a better world for our industry!



Contact us

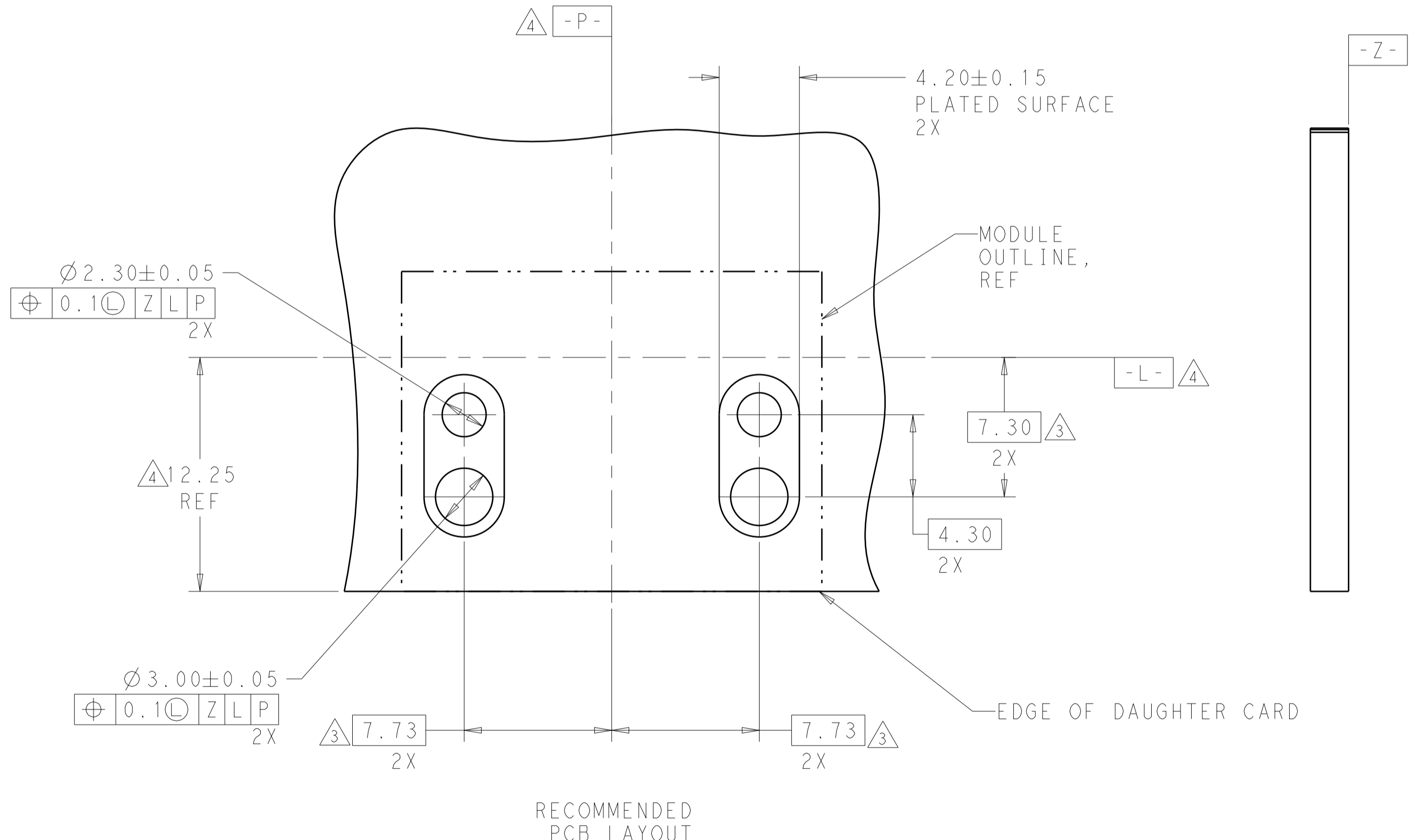
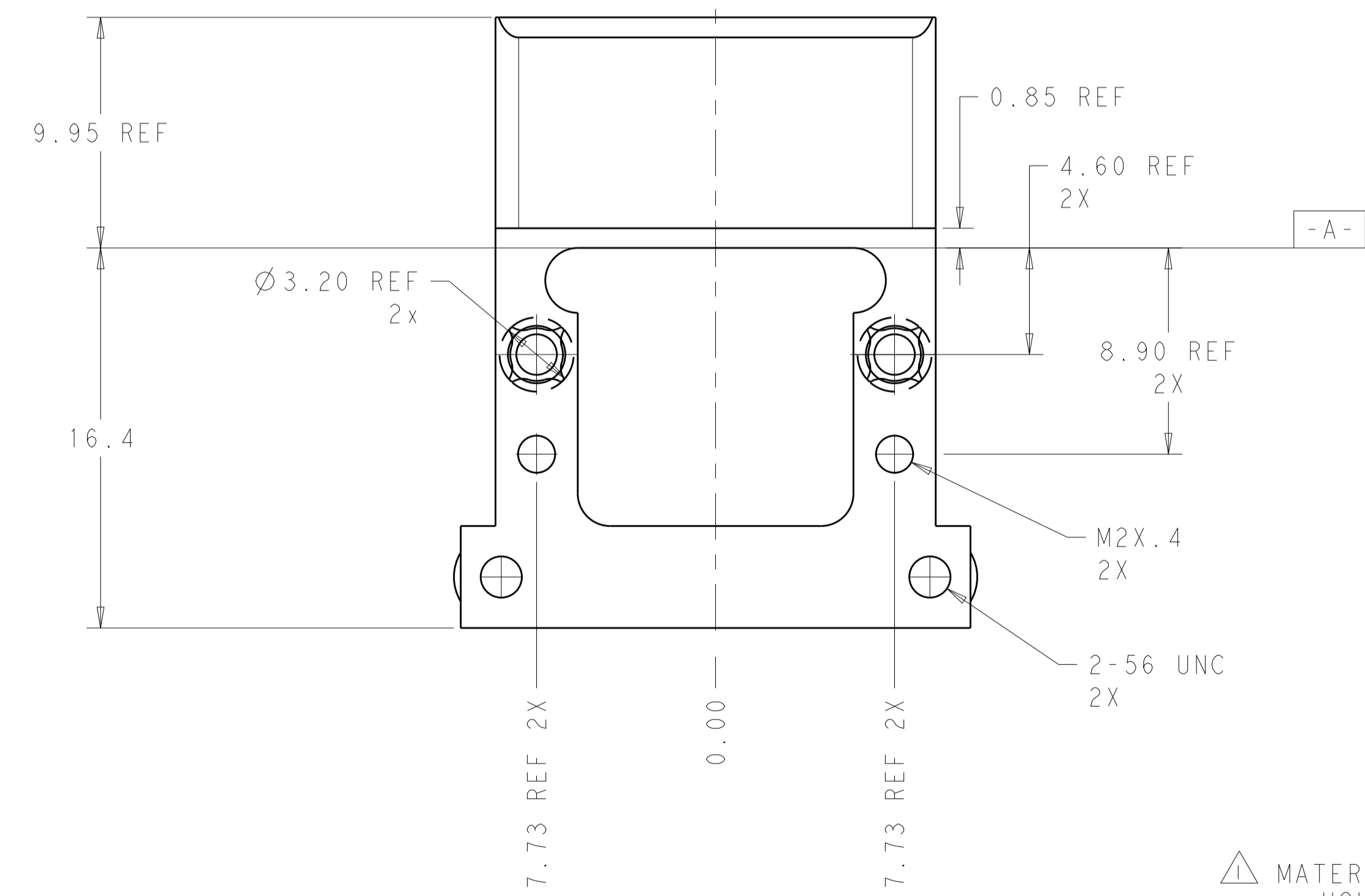
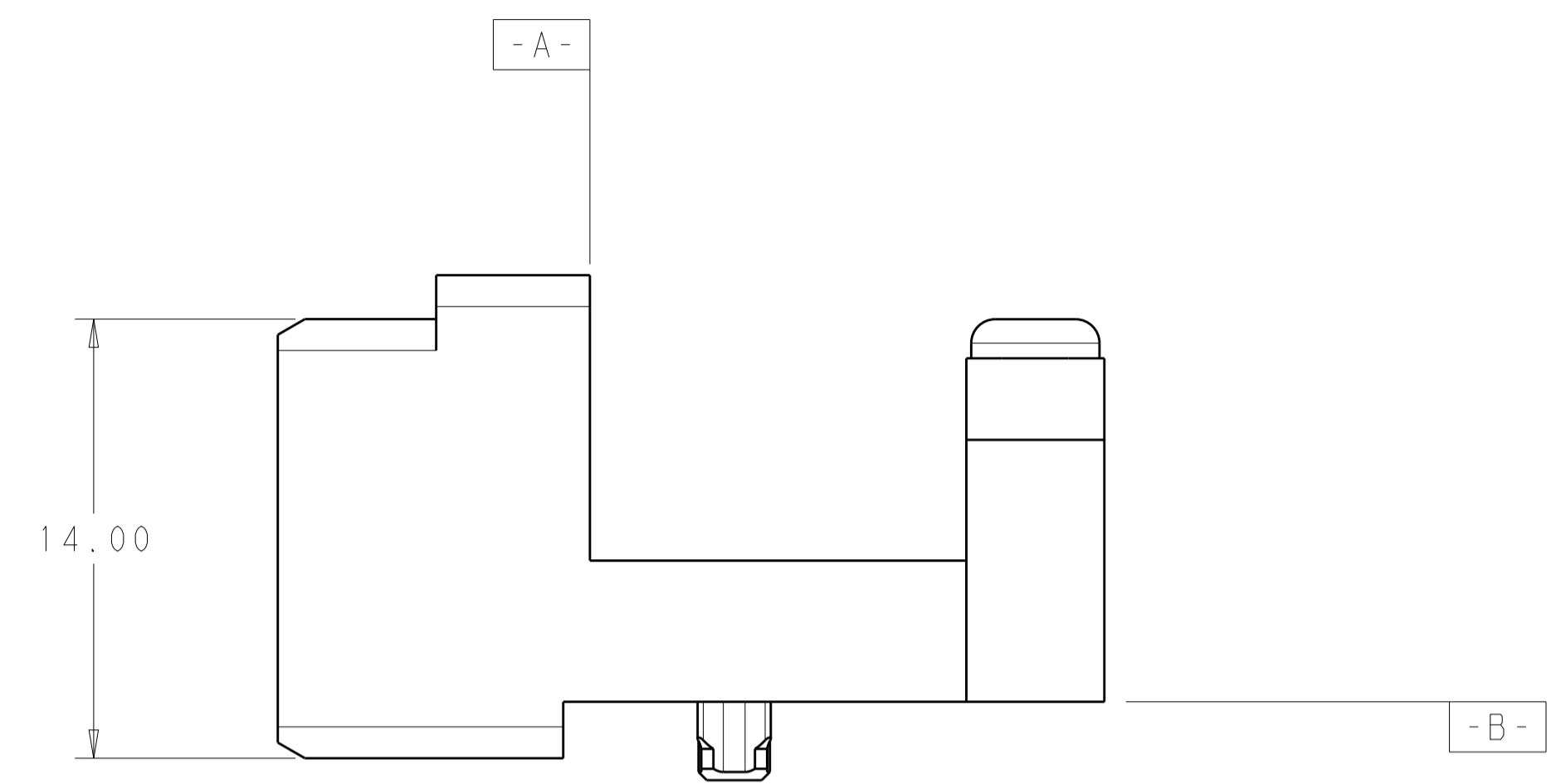
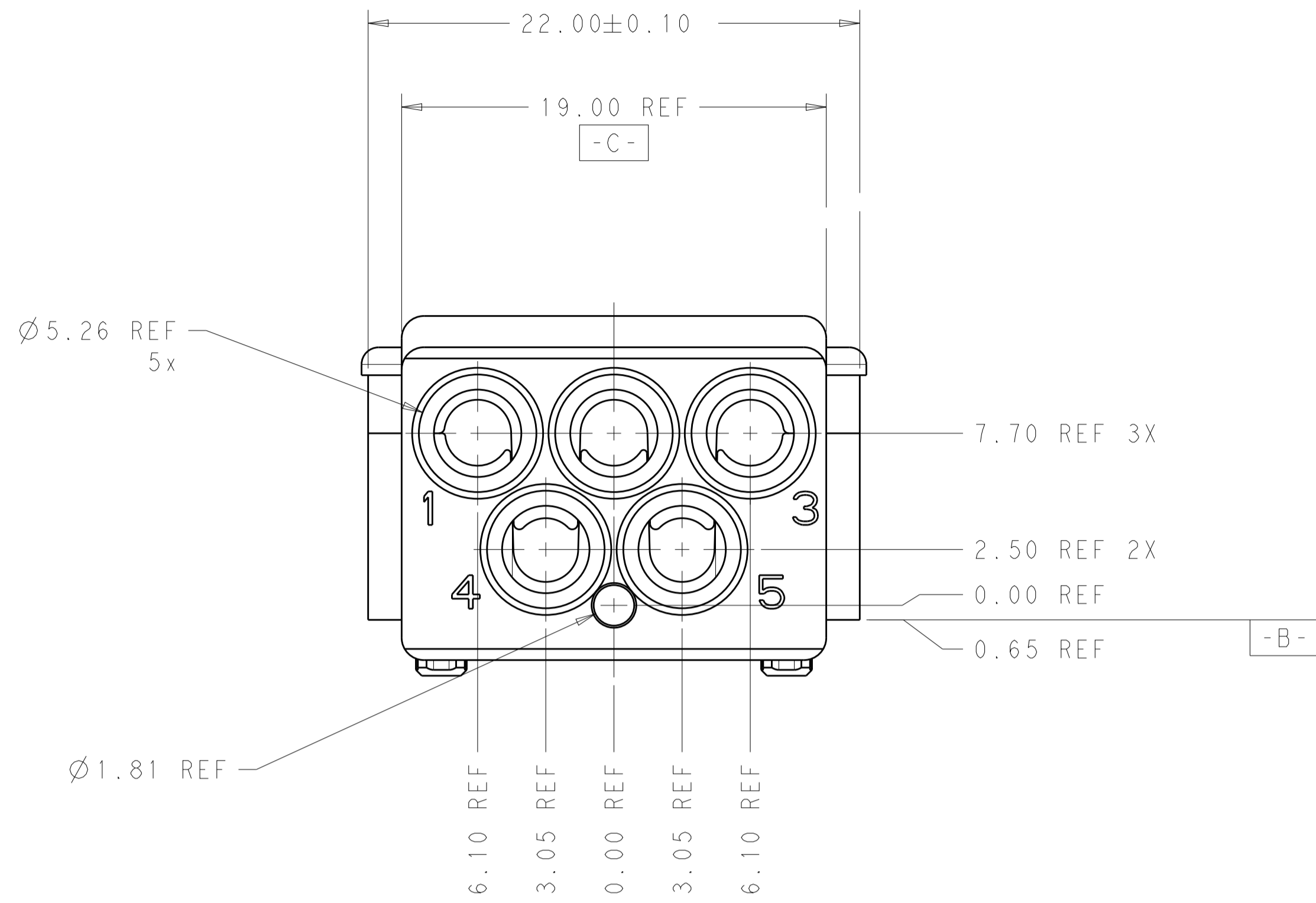
Tel: +86-755-8981 8866 Fax: +86-755-8427 6832

Email & Skype: info@chipsmall.com Web: www.chipsmall.com

Address: A1208, Overseas Decoration Building, #122 Zhenhua RD., Futian, Shenzhen, China



LOC		DIST		REVISIONS			
				REV	DATE	BY	APPV
		A		RELEASED PER ECO 15-001012	1-27-15	CT	DH



- △ MATERIAL:
HOUSING: ALUMINUM
SCREW: STAINLESS STEEL
- △ FINISH:
HOUSING: CHROMATE CONVERSION PER TE 112-151-4
EXCEPT MIL-C-5541 CLASS 3, TYPE II REQUIRED
SCREW: PASSIVATED
- △ DIMENSION APPLIES TO CENTERLINE OF THRU HOLE
- △ SEE PRINT 2102427-1 FOR DIMENSIONS
- 5. KIT PROVIDED UNASSEMBLED

2226511-1
PART NUMBER

THIS DRAWING IS A CONTROLLED DOCUMENT.		OWN: D. BELACK 08JUL2013	TE Connectivity
DIMENSIONS: mm		CHK: N. RUFFINI 09JAN2014	
TOLERANCES UNLESS OTHERWISE SPECIFIED:		APVD: K. THACKSTON 09JAN2014	NAME: SMPM, METAL SHELL LRU, RIGHT ANGLE HEADER, MODULE
0 PLC ±0.13	1 PLC ±0.08	PRODUCT SPEC: 108-2474	SIZE: A1
2 PLC ±0.08	3 PLC ±0.025	APPLICATION SPEC: 114-13251	CAGE CODE: 2226511
4 PLC ±0.025	ANGLES ±2°	WEIGHT: -	RESTRICTED TO: -
MATERIAL: 1	FINISH: 2	Customer Drawing	SCALE: 5:1 SHEET 1 OF 1 REV A