



Chipsmall Limited consists of a professional team with an average of over 10 year of expertise in the distribution of electronic components. Based in Hongkong, we have already established firm and mutual-benefit business relationships with customers from,Europe,America and south Asia,supplying obsolete and hard-to-find components to meet their specific needs.

With the principle of “Quality Parts,Customers Priority,Honest Operation,and Considerate Service”,our business mainly focus on the distribution of electronic components. Line cards we deal with include Microchip,ALPS,ROHM,Xilinx,Pulse,ON,Everlight and Freescale. Main products comprise IC,Modules,Potentiometer,IC Socket,Relay,Connector.Our parts cover such applications as commercial,industrial, and automotives areas.

We are looking forward to setting up business relationship with you and hope to provide you with the best service and solution. Let us make a better world for our industry!



Contact us

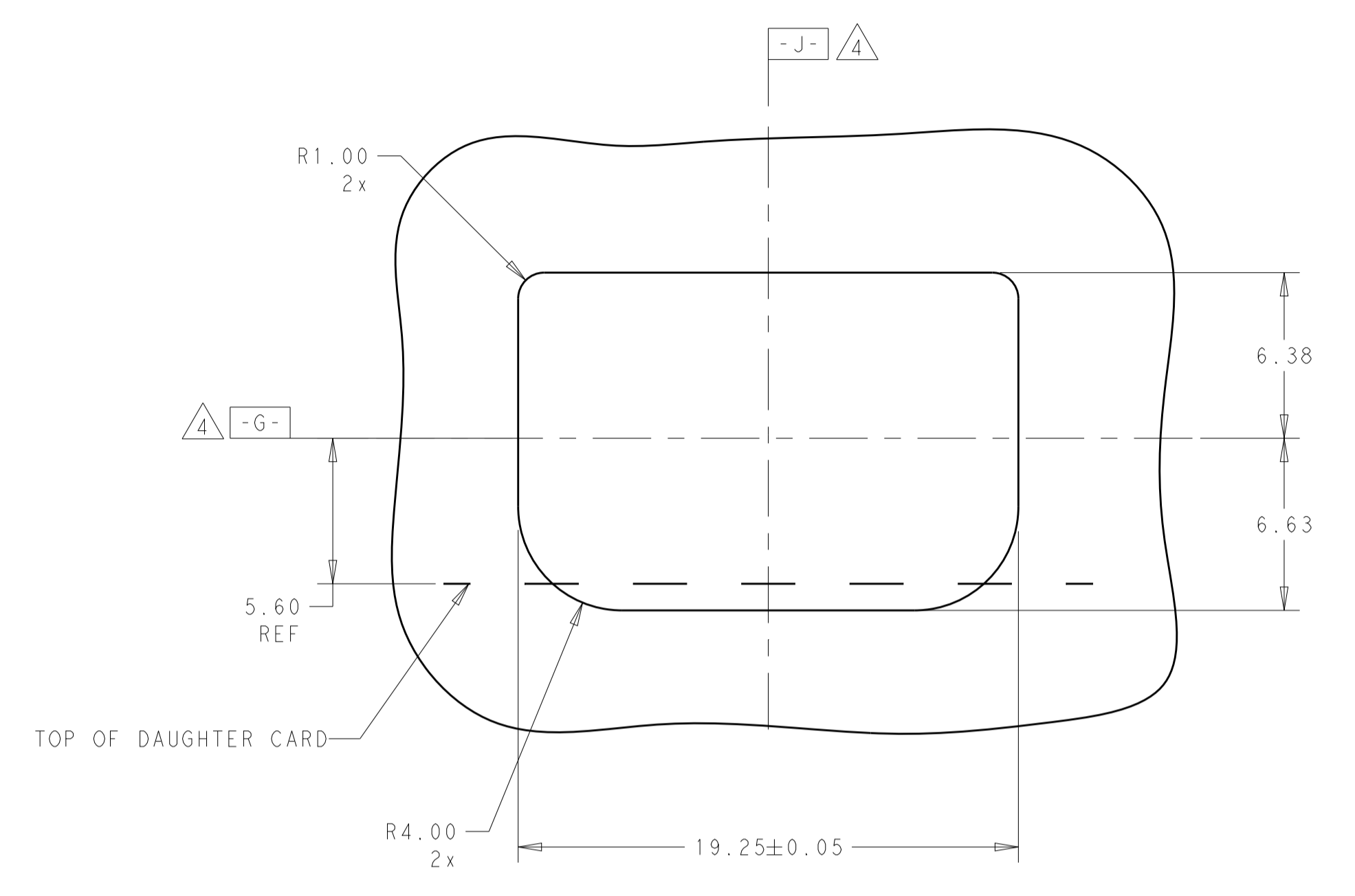
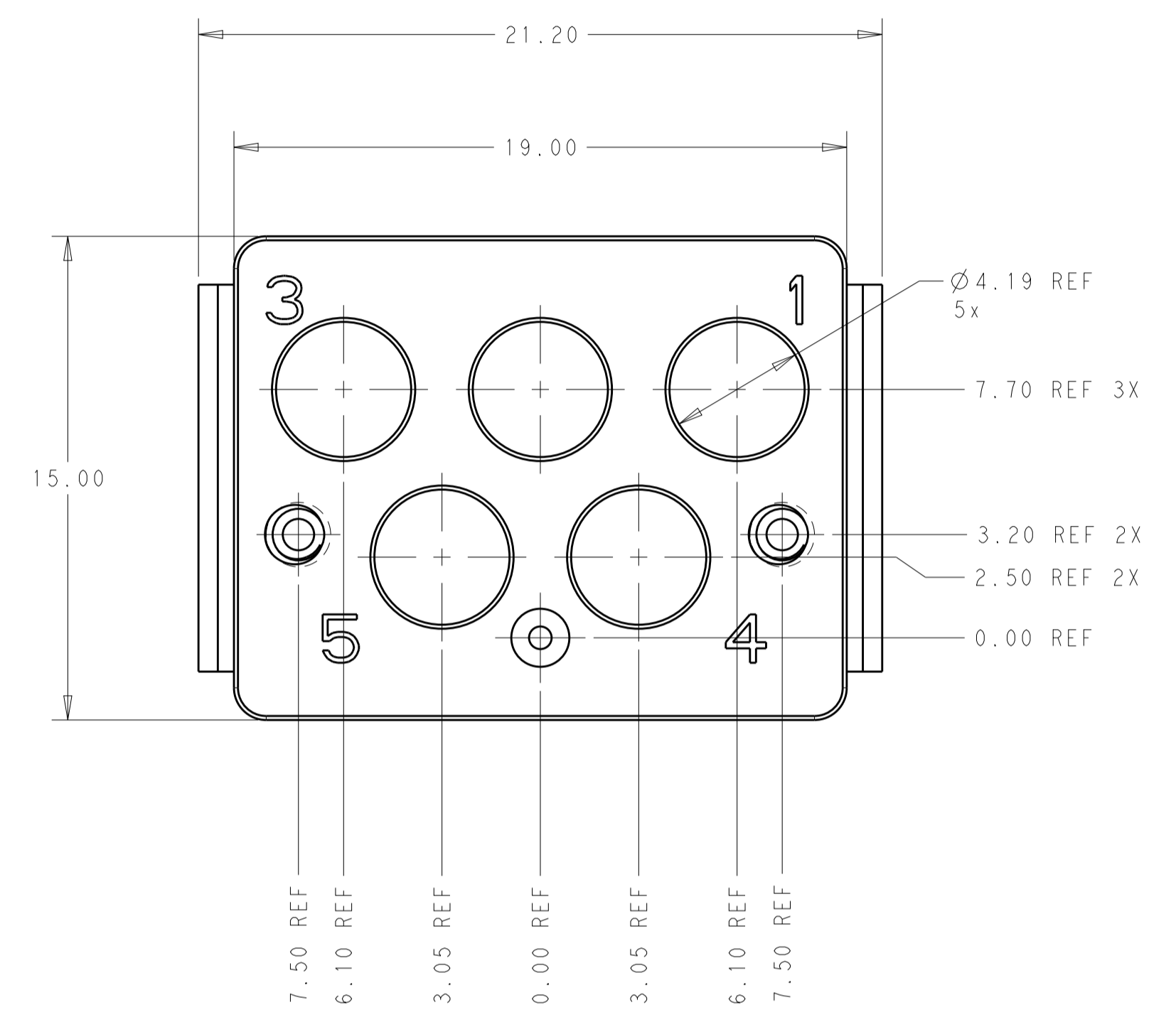
Tel: +86-755-8981 8866 Fax: +86-755-8427 6832

Email & Skype: info@chipsmall.com Web: www.chipsmall.com

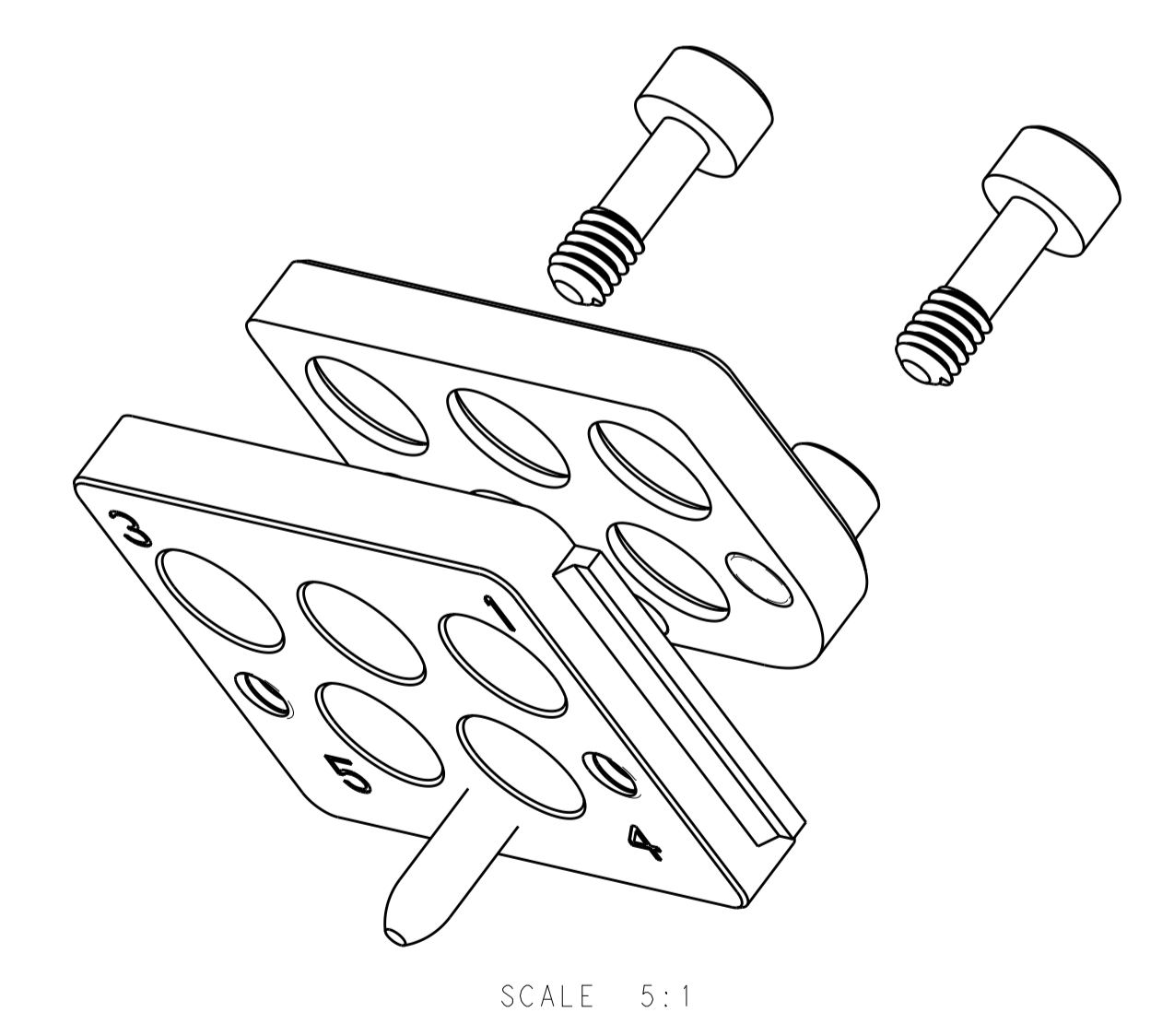
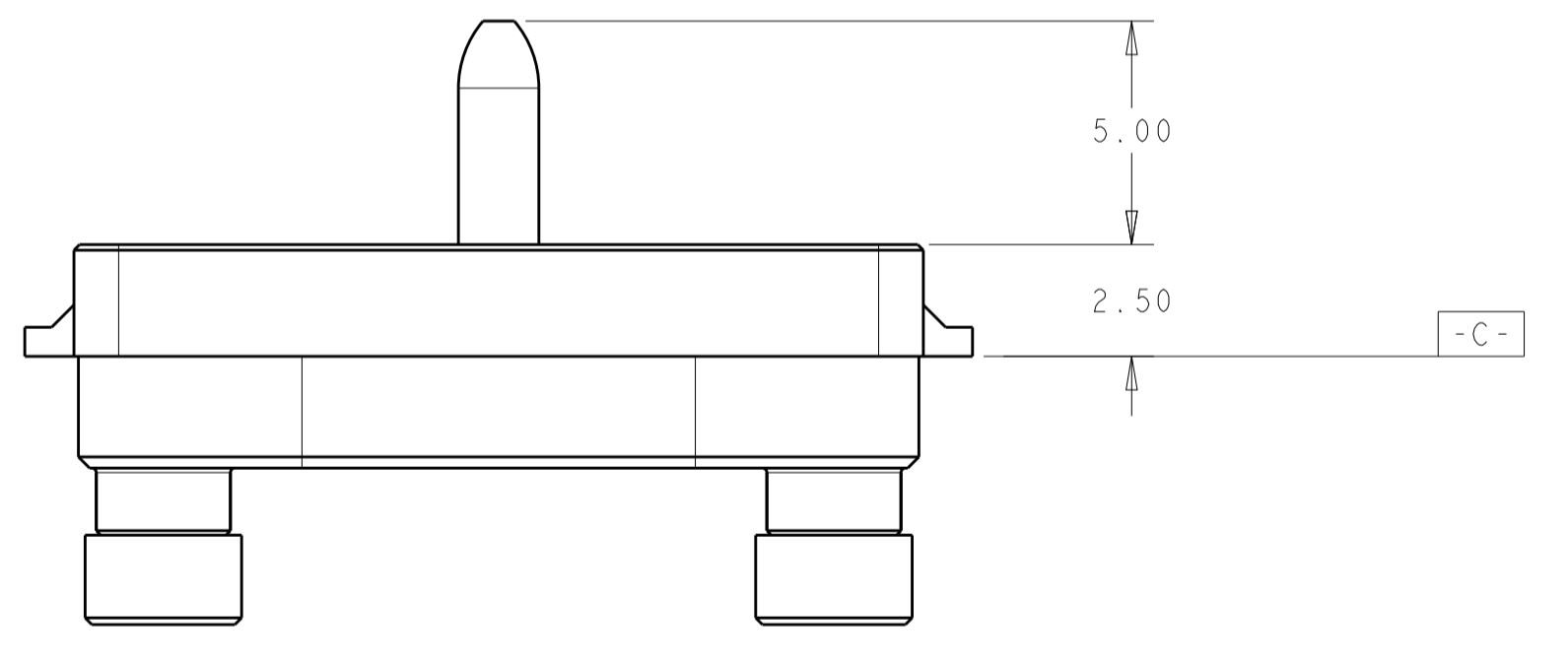
Address: A1208, Overseas Decoration Building, #122 Zhenhua RD., Futian, Shenzhen, China



REVISIONS				
P.	LTM	DESCRIPTION	DATE	DWN APVD
B		REV PER ECO 15-001495	1-29-15	CT DH



RECOMMENDED PCB LAYOUT



SCALE 5:1

- ⚠ MATERIAL:
STAINLESS STEEL
- ⚠ FINISH:
PASSIVATED
- ⚠ DIMENSION APPLIES TO CENTERLINE OF THRU HOLE
- ⚠ SEE 2102428-1 FOR DIMENSIONS

2226512-1
PART NUMBER

THIS DRAWING IS A CONTROLLED DOCUMENT.		DWN D. BELACK	04SEP2013	TE Connectivity	
DIMENSIONS:		CHK N. RUFFINI			
mm	TOLERANCES UNLESS OTHERWISE SPECIFIED:	APVD K. THACKSTON		NAME	SMPM, METAL SHELL LRU, VERTICAL BACKPLANE, MODULE
0 PLC ± 1 PLC ±0.13 2 PLC ±0.08 3 PLC ±0.025 4 PLC ± ANGLES ±2°		PRODUCT SPEC	108-2474	SIZE	A1
MATERIAL	FINISH	APPLICATION SPEC	114-13251	CAGE CODE	-
⚠	⚠	WEIGHT	-	DRAWING NO	2226512
Customer Drawing		SCALE	10:1	SHEET	1 OF 1
		REV	B		