



Chipsmall Limited consists of a professional team with an average of over 10 year of expertise in the distribution of electronic components. Based in Hongkong, we have already established firm and mutual-benefit business relationships with customers from,Europe,America and south Asia,supplying obsolete and hard-to-find components to meet their specific needs.

With the principle of “Quality Parts,Customers Priority,Honest Operation,and Considerate Service”,our business mainly focus on the distribution of electronic components. Line cards we deal with include Microchip,ALPS,ROHM,Xilinx,Pulse,ON,Everlight and Freescale. Main products comprise IC,Modules,Potentiometer,IC Socket,Relay,Connector.Our parts cover such applications as commercial,industrial, and automotives areas.

We are looking forward to setting up business relationship with you and hope to provide you with the best service and solution. Let us make a better world for our industry!



Contact us

Tel: +86-755-8981 8866 Fax: +86-755-8427 6832

Email & Skype: info@chipsmall.com Web: www.chipsmall.com

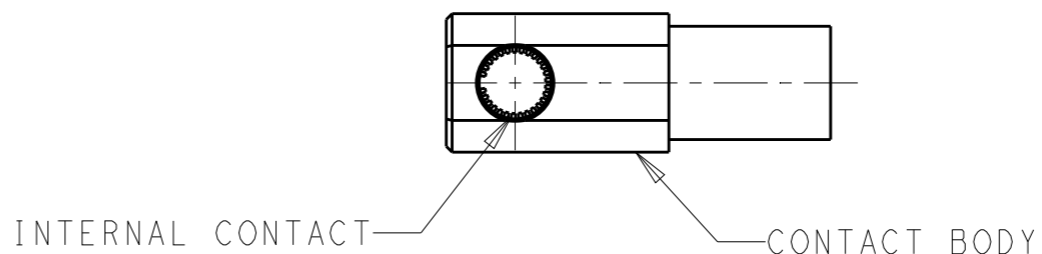
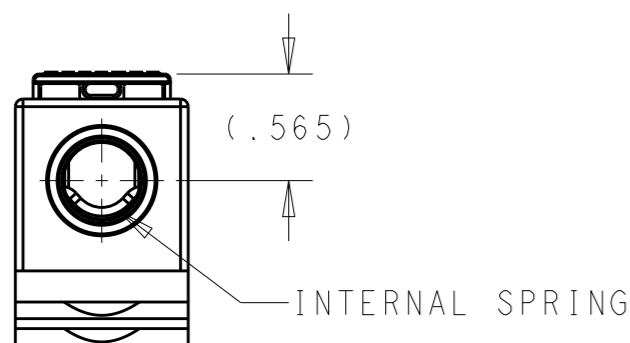
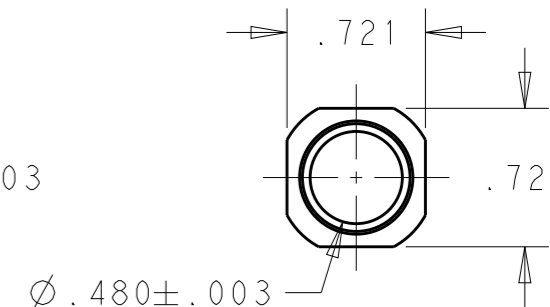
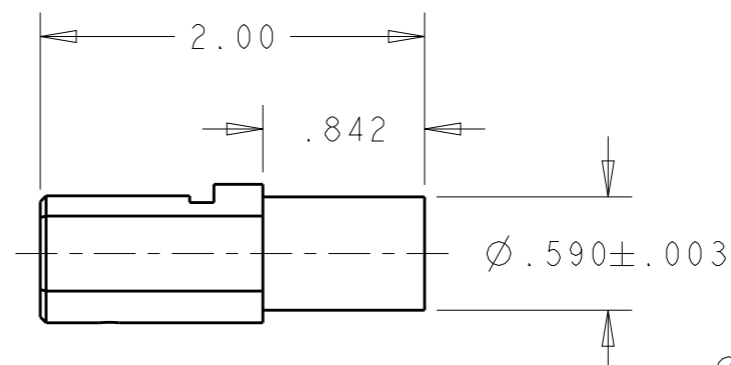
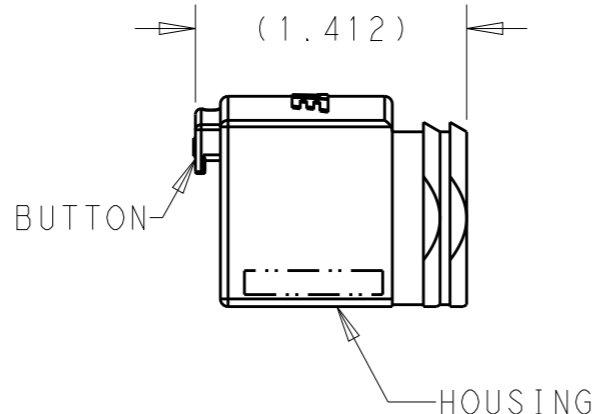
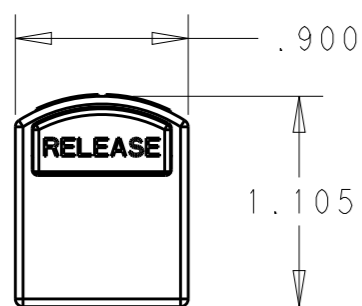
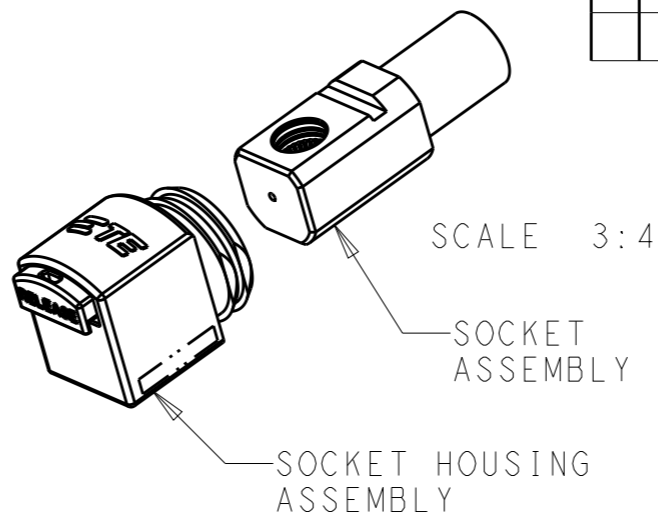
Address: A1208, Overseas Decoration Building, #122 Zhenhua RD., Futian, Shenzhen, China



THIS DRAWING IS UNPUBLISHED. RELEASED FOR PUBLICATION 20
 © COPYRIGHT 20 BY - ALL RIGHTS RESERVED.

REVISIONS					
P	LTR	DESCRIPTION	DATE	DWN	APVD
	B	REV PER ECO 17-001628	2-13-17	CT	PD

- 1 MATERIAL:
 HOUSING: THERMOPLASTIC, COLOR: PER TABLE
 BUTTON: THERMOPLASTIC, COLOR: BLACK
 INTERNAL CONTACT AND CONTACT BODY: COPPER ALLOY
 INTERNAL SPRING: STAINLESS STEEL
- 2 FINISH:
 INTERNAL CONTACT: SILVER OVER NICKEL
 CONTACT BODY: TIN OVER NICKEL
3. DO NOT ASSEMBLE SOCKET HOUSING ASSEMBLY ONTO SOCKET CONTACT ASSEMBLY UNTIL WIRE IS CRIMPED ONTO SOCKET CONTACT ASSEMBLY.
4. KIT WILL CONTAIN:
 1 SOCKET ASSEMBLY
 1 SOCKET HOUSING ASSEMBLY



BLACK	2226742-4
RED	2226742-3
BLUE	2226742-2
YELLOW	2226742-1
HOUSING COLOR	PART NUMBER

THIS DRAWING IS A CONTROLLED DOCUMENT.		DWN 16DEC2013 MCKIBBEN, JOHN	TE Connectivity	
DIMENSIONS: INCHES		CHK 16DEC2013 OH, LAWRENCE		
TOLERANCES UNLESS OTHERWISE SPECIFIED:		APVD 16OCT2014 FUJIMOTO, JOHN	NAME KIT, SNAP-LUG, 1/0 - 2/0	
0 PLC ± 1 PLC ± 2 PLC ±.01 3 PLC ±.005 4 PLC ± ANGLES ±		PRODUCT SPEC 108-32083	RESTRICTED TO	
MATERIAL		APPLICATION SPEC 114-32130	SIZE A3	CAGE CODE 00779
FINISH		WEIGHT .143 lbs	DRAWING NO C-2226742	
1		CUSTOMER DRAWING		SCALE 1:1
2		SHEET 1 OF 1		REV B