



Chipsmall Limited consists of a professional team with an average of over 10 year of expertise in the distribution of electronic components. Based in Hongkong, we have already established firm and mutual-benefit business relationships with customers from,Europe,America and south Asia,supplying obsolete and hard-to-find components to meet their specific needs.

With the principle of “Quality Parts,Customers Priority,Honest Operation,and Considerate Service”,our business mainly focus on the distribution of electronic components. Line cards we deal with include Microchip,ALPS,ROHM,Xilinx,Pulse,ON,Everlight and Freescale. Main products comprise IC,Modules,Potentiometer,IC Socket,Relay,Connector.Our parts cover such applications as commercial,industrial, and automotives areas.

We are looking forward to setting up business relationship with you and hope to provide you with the best service and solution. Let us make a better world for our industry!



Contact us

Tel: +86-755-8981 8866 Fax: +86-755-8427 6832

Email & Skype: info@chipsmall.com Web: www.chipsmall.com

Address: A1208, Overseas Decoration Building, #122 Zhenhua RD., Futian, Shenzhen, China



THIS DRAWING IS UNPUBLISHED.

RELEASED FOR PUBLICATION

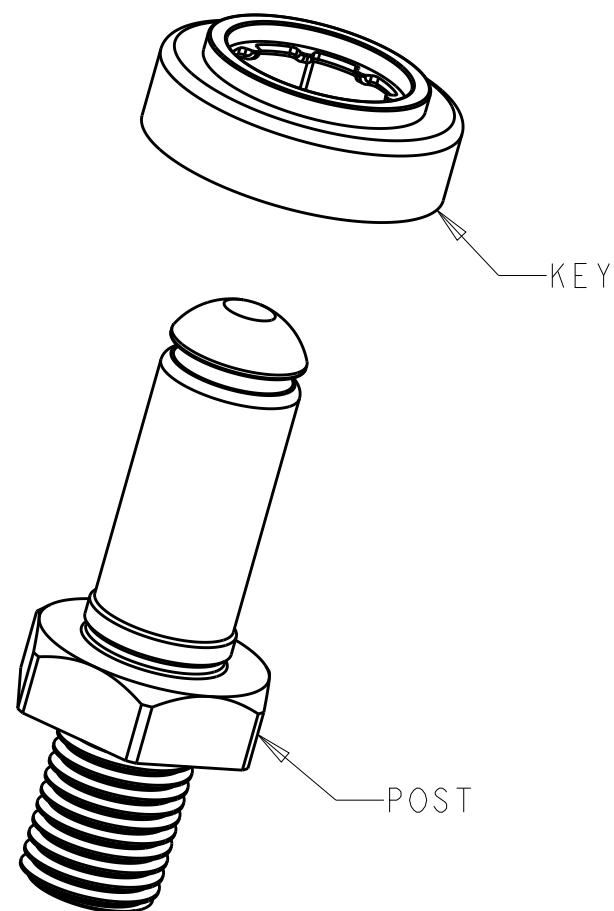
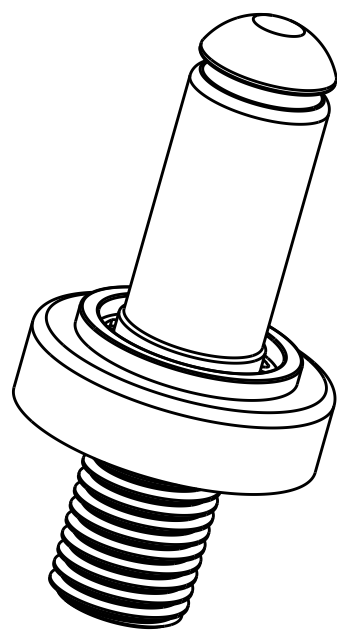
20

© COPYRIGHT 20 BY -

ALL RIGHTS RESERVED.

REVISIONS

P	LTR	DESCRIPTION	DATE	DWN	APVD
	B	REV PER ECO 16-014336	10-28-16	CT	PD

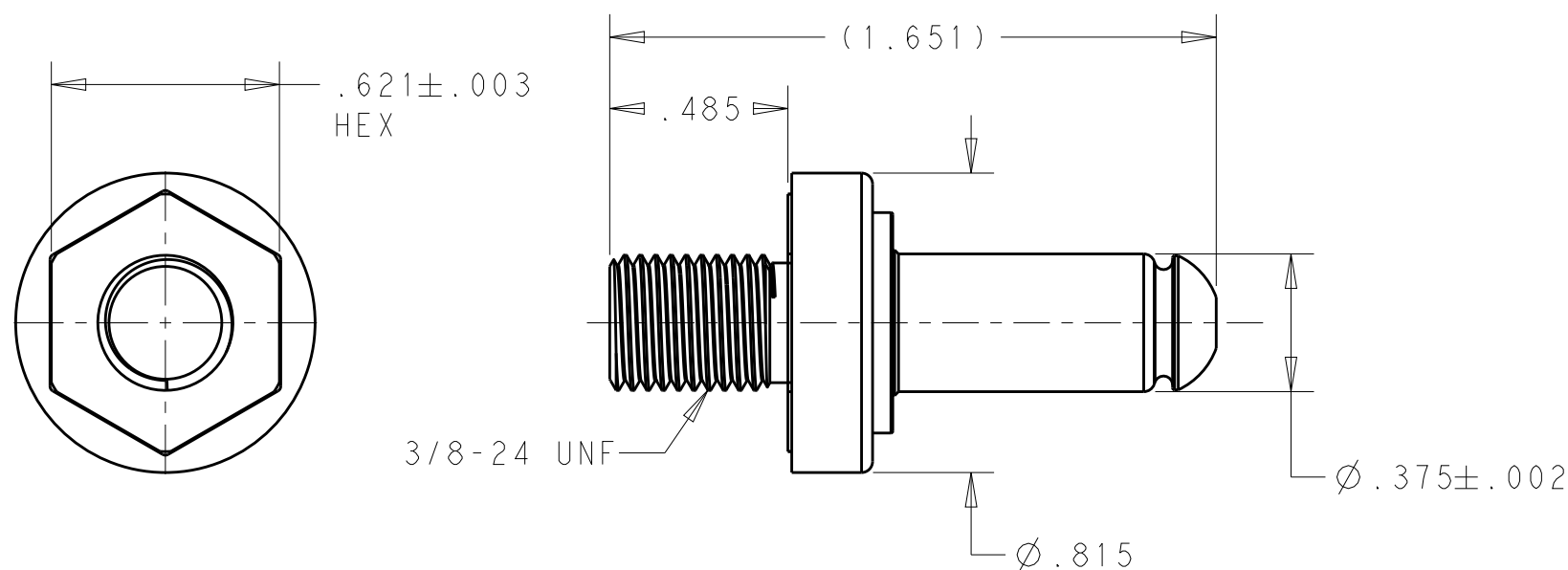


1 KEY: THERMOPLASTIC, COLOR: PER TABLE
 POST: COPPER ALLOY

2 POST: SILVER OVER NICKEL

3. DO NOT ASSEMBLE KEY ONTO POST UNTIL POST IS INSTALLED

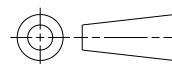
4. KIT WILL CONTAIN:
 1 POST
 1 KEY



BLACK	2226744-8
RED	2226744-7
BLUE	2226744-6
YELLOW	2226744-5
KEY COLOR	PART NUMBER

THIS DRAWING IS A CONTROLLED DOCUMENT.

DIMENSIONS:
INCHES



TOLERANCES UNLESS OTHERWISE SPECIFIED:

0 PLC	±-
1 PLC	±.1
2 PLC	±.02
3 PLC	±.005
4 PLC	±.0005
ANGLES	±-

MATERIAL



FINISH



DWN 18SEP2014

MCKIBBEN, JOHN

CHK 18SEP2014

OH, LAWRENCE

APVD 17OCT2014

FUJIMOTO, JOHN

PRODUCT SPEC

108-32083

APPLICATION SPEC

114-32130

WEIGHT

.072 lbs

NAME

KIT, SNAP-LUG, KEY AND POST

SIZE

A3

CAGE CODE

-

DRAWING NO

C=2226744

RESTRICTED TO

-

CUSTOMER DRAWING

SCALE 2:1

SHEET 1 OF 1

REV B