



Chipsmall Limited consists of a professional team with an average of over 10 year of expertise in the distribution of electronic components. Based in Hongkong, we have already established firm and mutual-benefit business relationships with customers from,Europe,America and south Asia,supplying obsolete and hard-to-find components to meet their specific needs.

With the principle of “Quality Parts,Customers Priority,Honest Operation,and Considerate Service”,our business mainly focus on the distribution of electronic components. Line cards we deal with include Microchip,ALPS,ROHM,Xilinx,Pulse,ON,Everlight and Freescale. Main products comprise IC,Modules,Potentiometer,IC Socket,Relay,Connector.Our parts cover such applications as commercial,industrial, and automotives areas.

We are looking forward to setting up business relationship with you and hope to provide you with the best service and solution. Let us make a better world for our industry!



Contact us

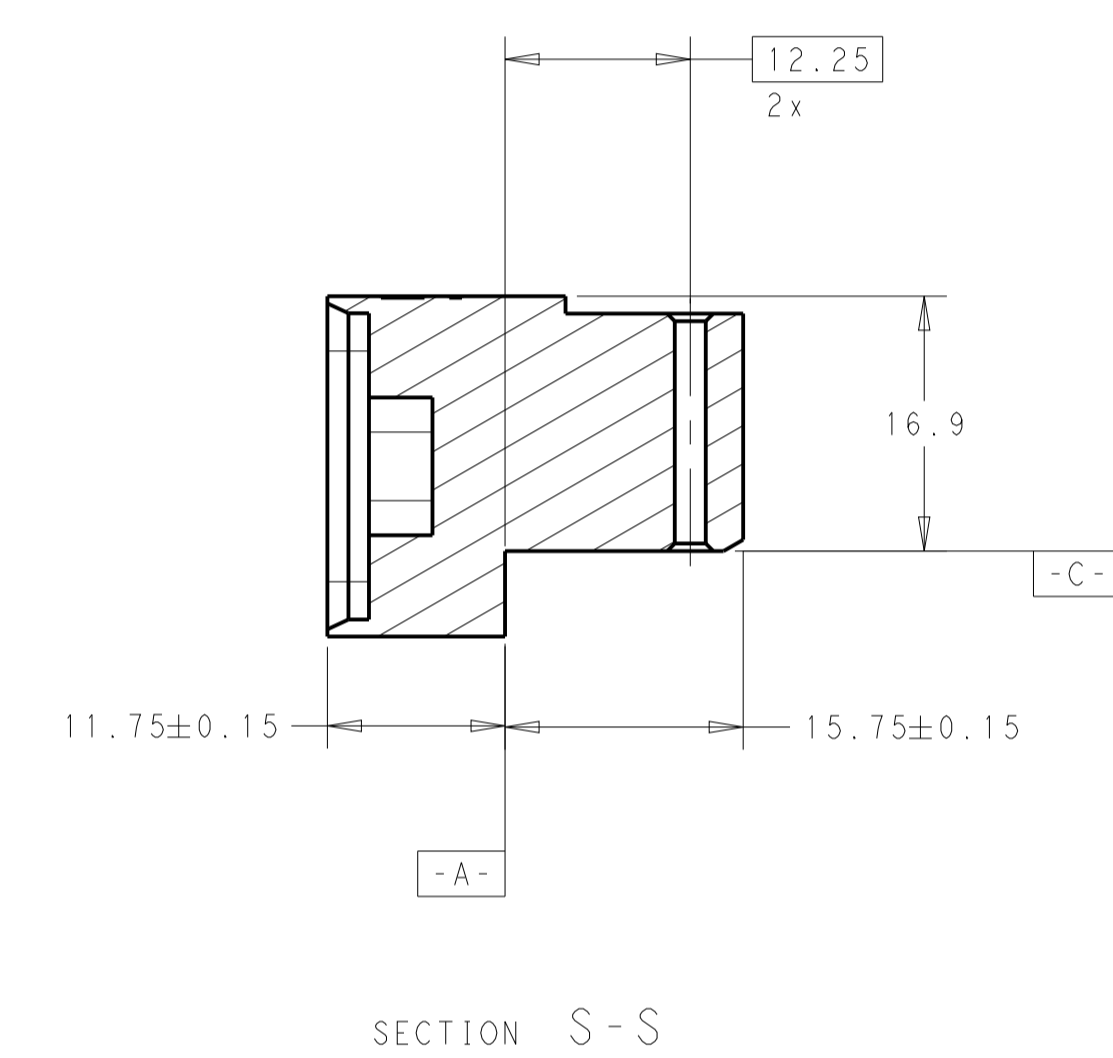
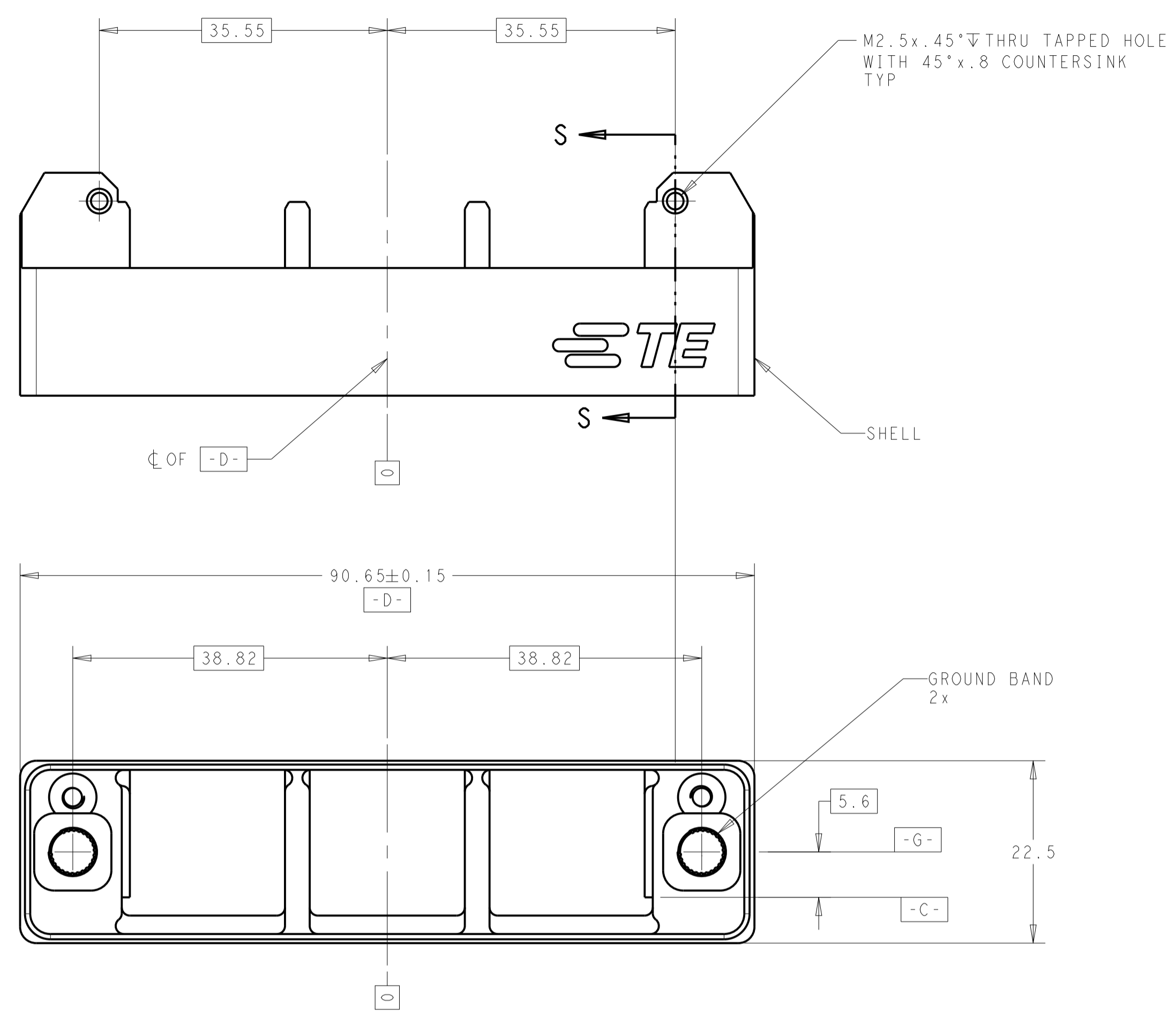
Tel: +86-755-8981 8866 Fax: +86-755-8427 6832

Email & Skype: info@chipsmall.com Web: www.chipsmall.com

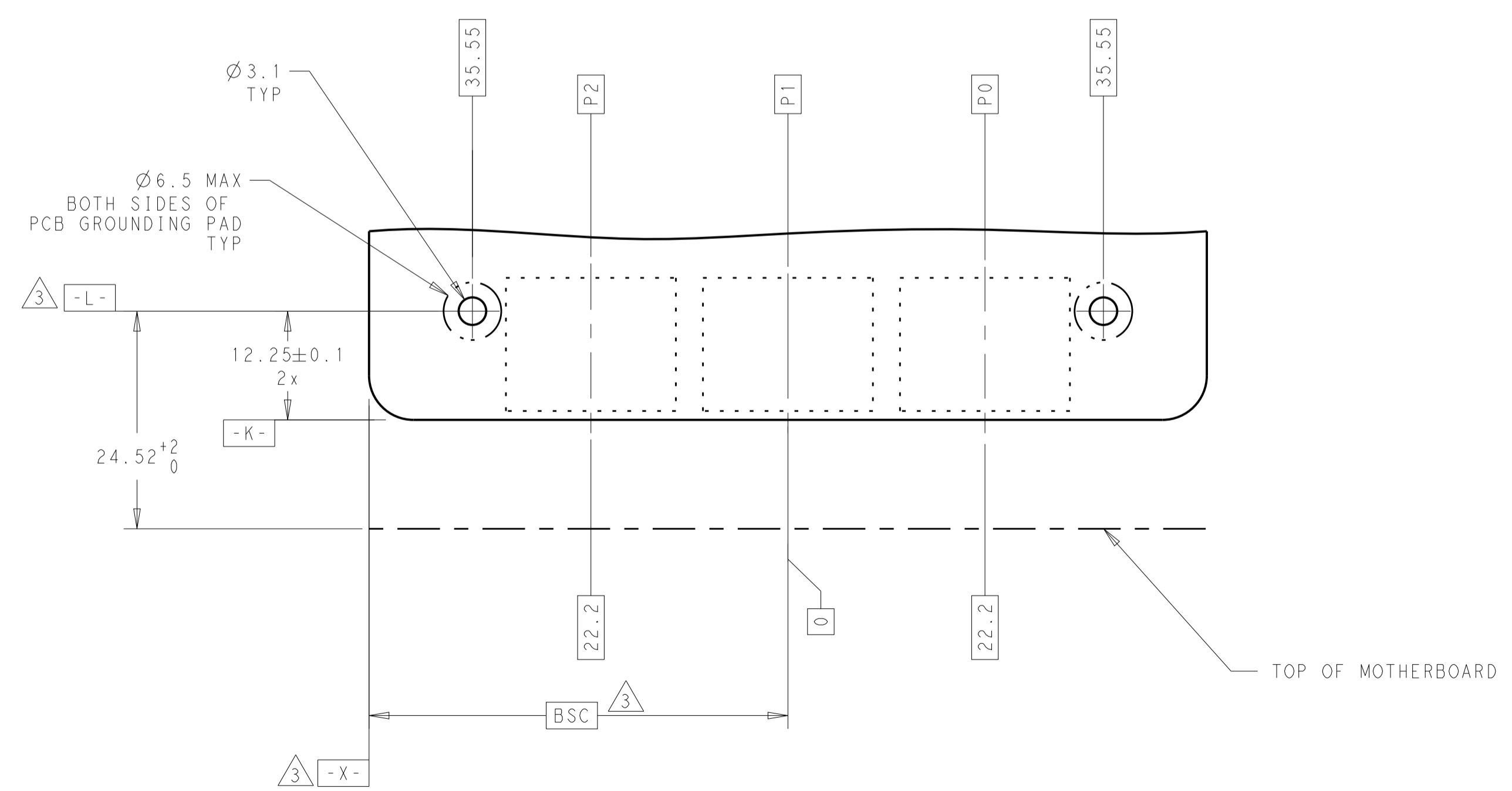
Address: A1208, Overseas Decoration Building, #122 Zhenhua RD., Futian, Shenzhen, China



REVISIONS				
P.	LTN	DESCRIPTION	DATE	APPV
A		RELEASED PER ECO 14-016072	11-6-14	CT DH



2226783-1 SHOWN



- 1 MATERIAL:
SHELL: ALUMINUM ALLOY
GROUND BANDS: COPPER ALLOY
- 2 FINISH:
SHELL: TRIVALENT CHROMATE, 96 HOUR SALT SPRAY CAPABLE.
GROUND BANDS: 0.25µm MIN GOLD OVER NICKEL
- 3 DATUMS AND BASIC DIMENSIONS ESTABLISHED BY CUSTOMER.

65.5	4	8	2226783-5
58.8	3	8	2226783-4
66.1	4	9	2226783-3
38.3	2	4	2226783-2
33.9	2	3	2226783-1
APPROX. WEIGHT g	SHELL TO PCB MOUNTING POINTS	# OF BAYS	PART NUMBER

PCB INSERT LOCATIONS

THIS DRAWING IS A CONTROLLED DOCUMENT. DWN D. BELACK 25NOV2013
 CHK K. THACKSTON 11-25-13
 APPV M. McALONIS 11-25-13

STE TE Connectivity

NAME: Fortis Zd LRM, DAUGHTER CARD, RIGHT ANGLE, SHELL ASSEMBLY

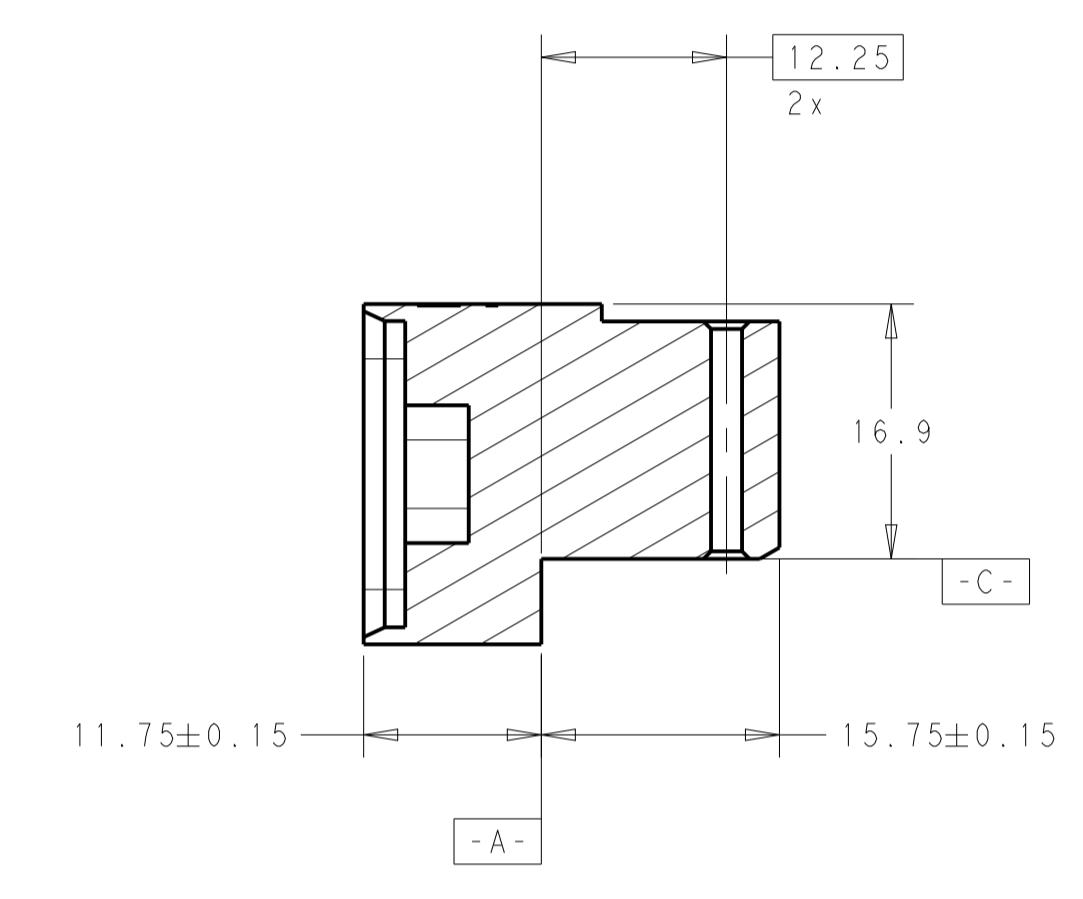
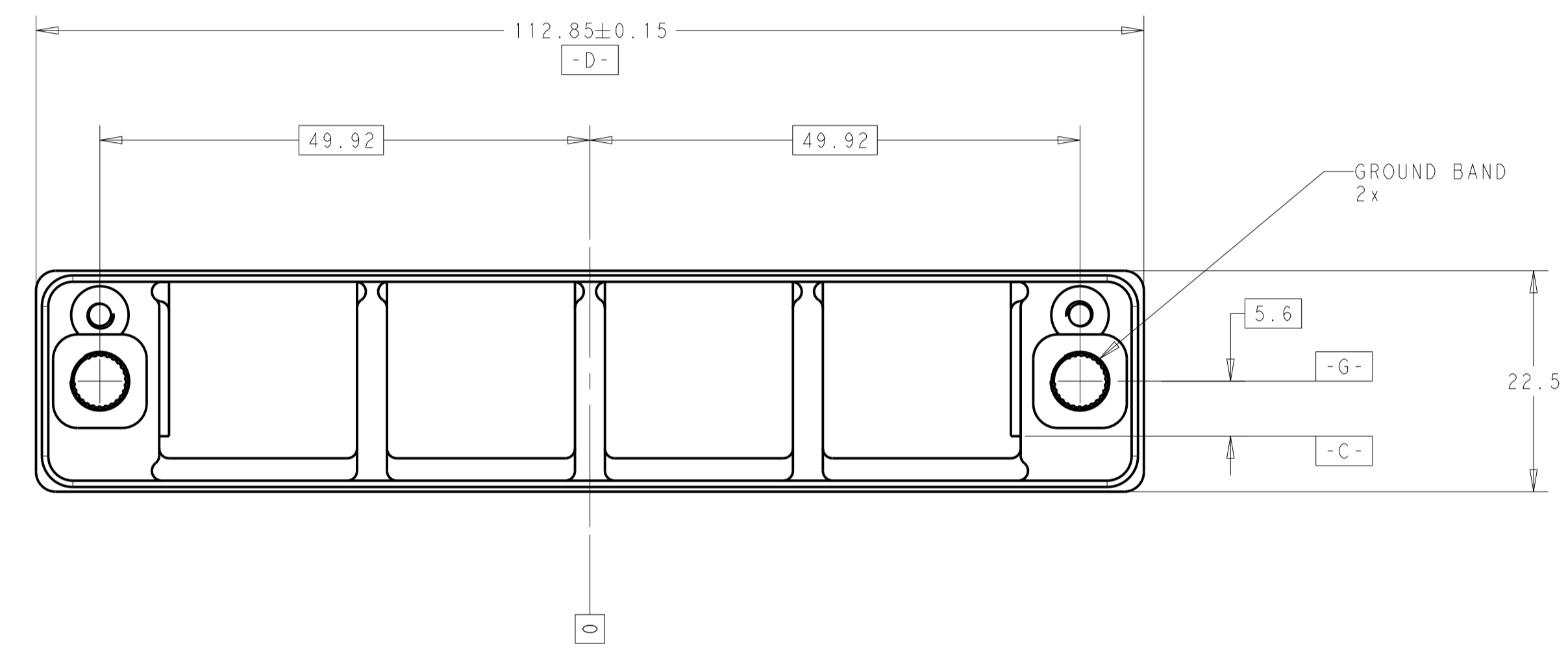
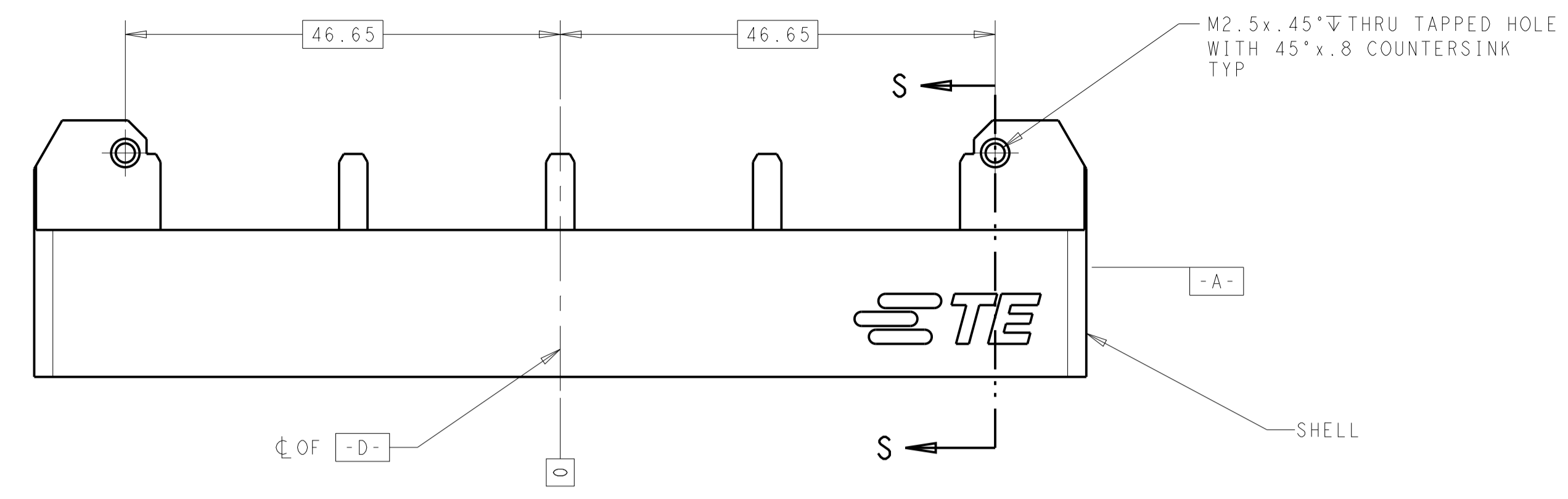
PRODUCT SPEC: 108-2474
 APPLICATION SPEC: 408-10464

MATERIAL: 1
 FINISH: 2

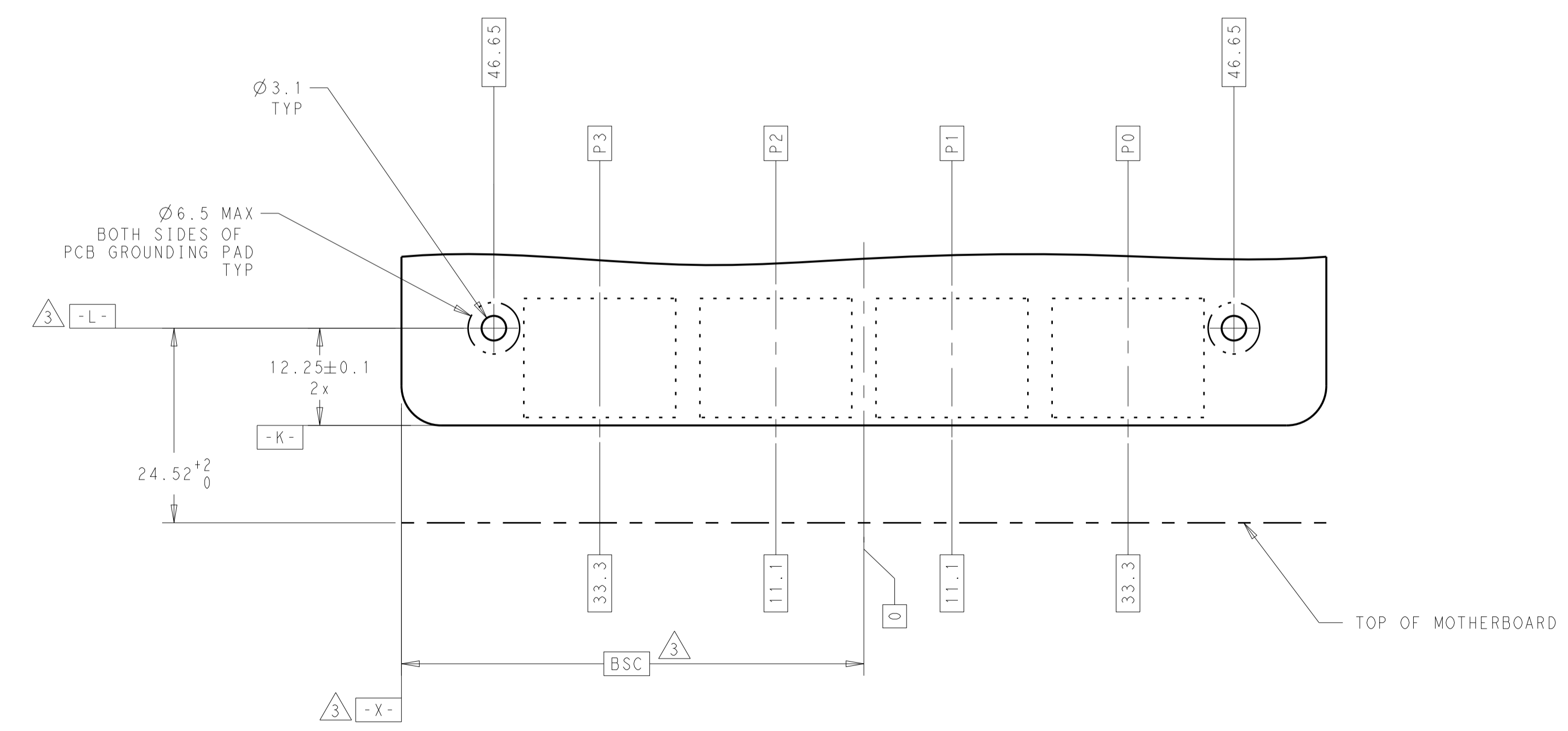
Customer Drawing

SCALE: 2:1 SHEET 1 OF 5 REV A

REVISIONS				
P.	LTN	DESCRIPTION	DATE	APVD
-	SEE SHEET 1			



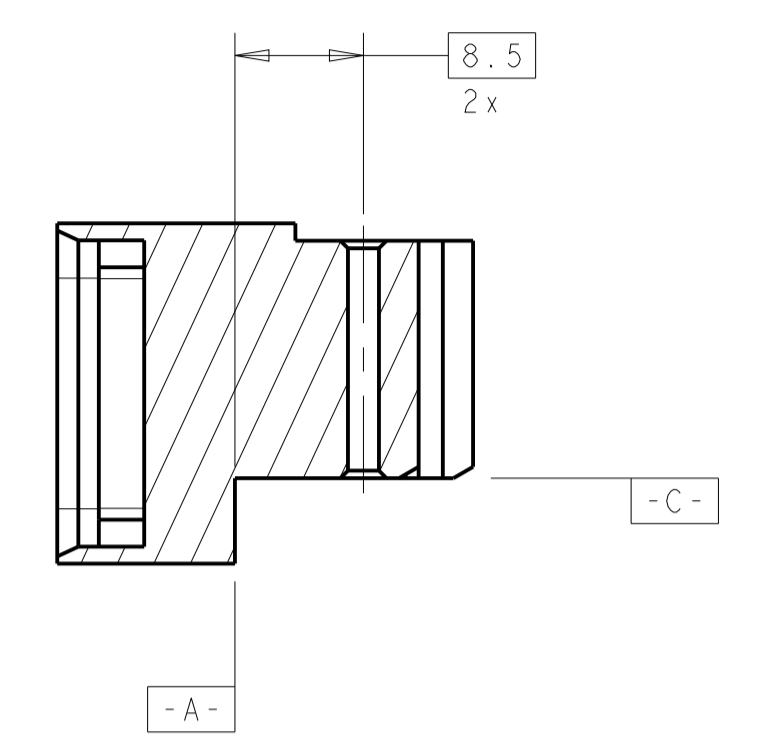
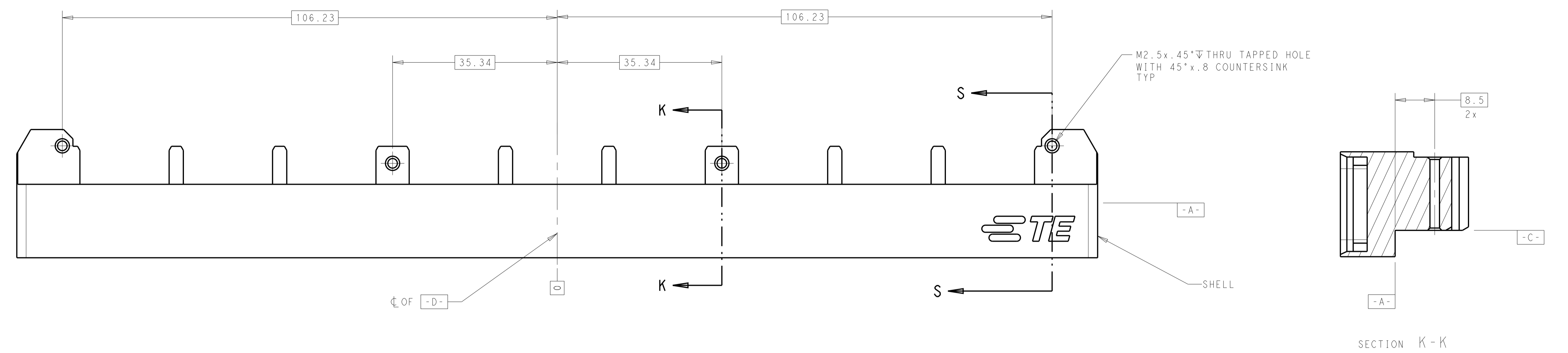
2226783-2 SHOWN



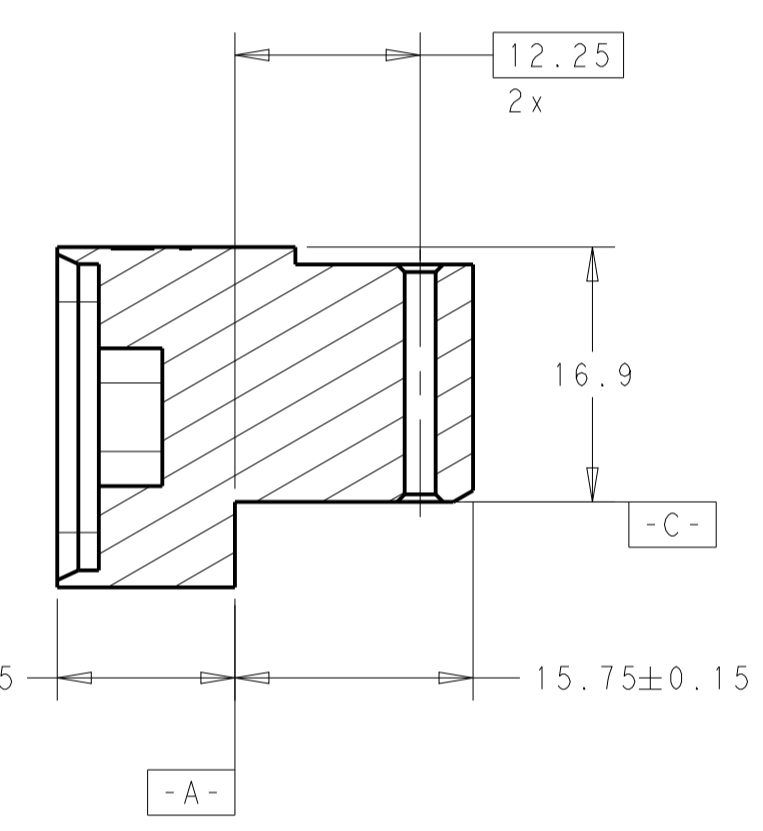
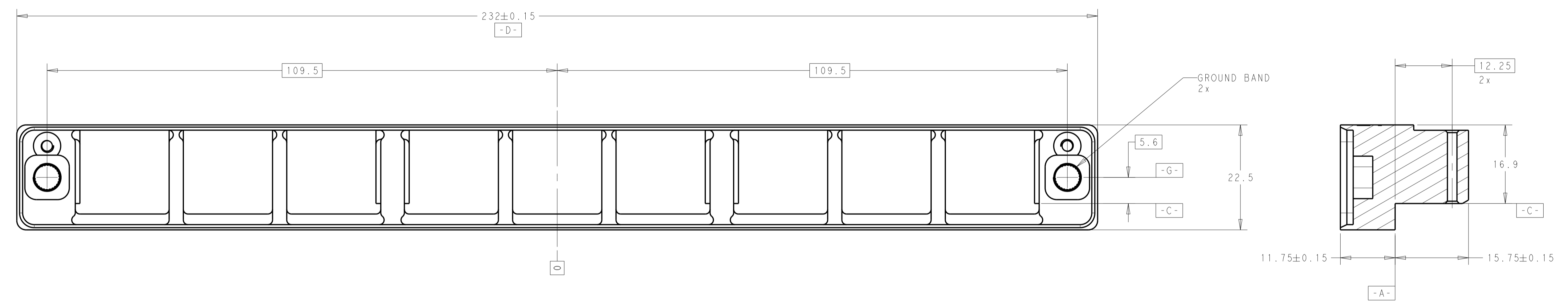
PCB INSERT LOCATIONS

THIS DRAWING IS A CONTROLLED DOCUMENT.		DWN D. BELACK 25NOV2013	TE Connectivity
DIMENSIONS: mm		CHK K. THACKSTON 11-25-13	
TOLERANCES UNLESS OTHERWISE SPECIFIED: 0 PLC ±.13 1 PLC ±0.05 2 PLC ±0.05 3 PLC ±0.025 4 PLC ±.05 ANGLES ±.2°		APVD M. McALONIS 11-25-13	NAME Fortis Zd LRM, DAUGHTER CARD, RIGHT ANGLE, SHELL ASSEMBLY
MATERIAL		PRODUCT SPEC 108-2474	SIZE A1
FINISH		APPLICATION SPEC 408-10464	RESTRICTED TO
Customer Drawing		WEIGHT	SCALE 1:1 SHEET 2 OF 5 REV A

REVISIONS				
P.	LTN	DESCRIPTION	DATE	APP'D
-	-	SEE SHEET 1	-	-

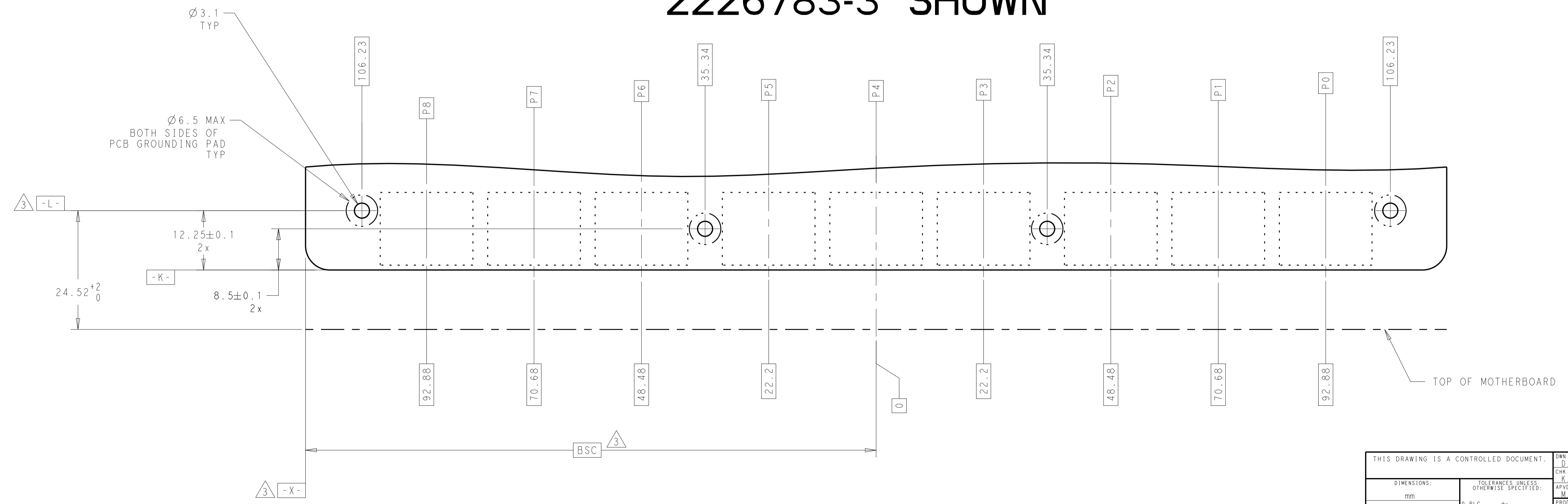


SECTION K-K



SECTION S-S

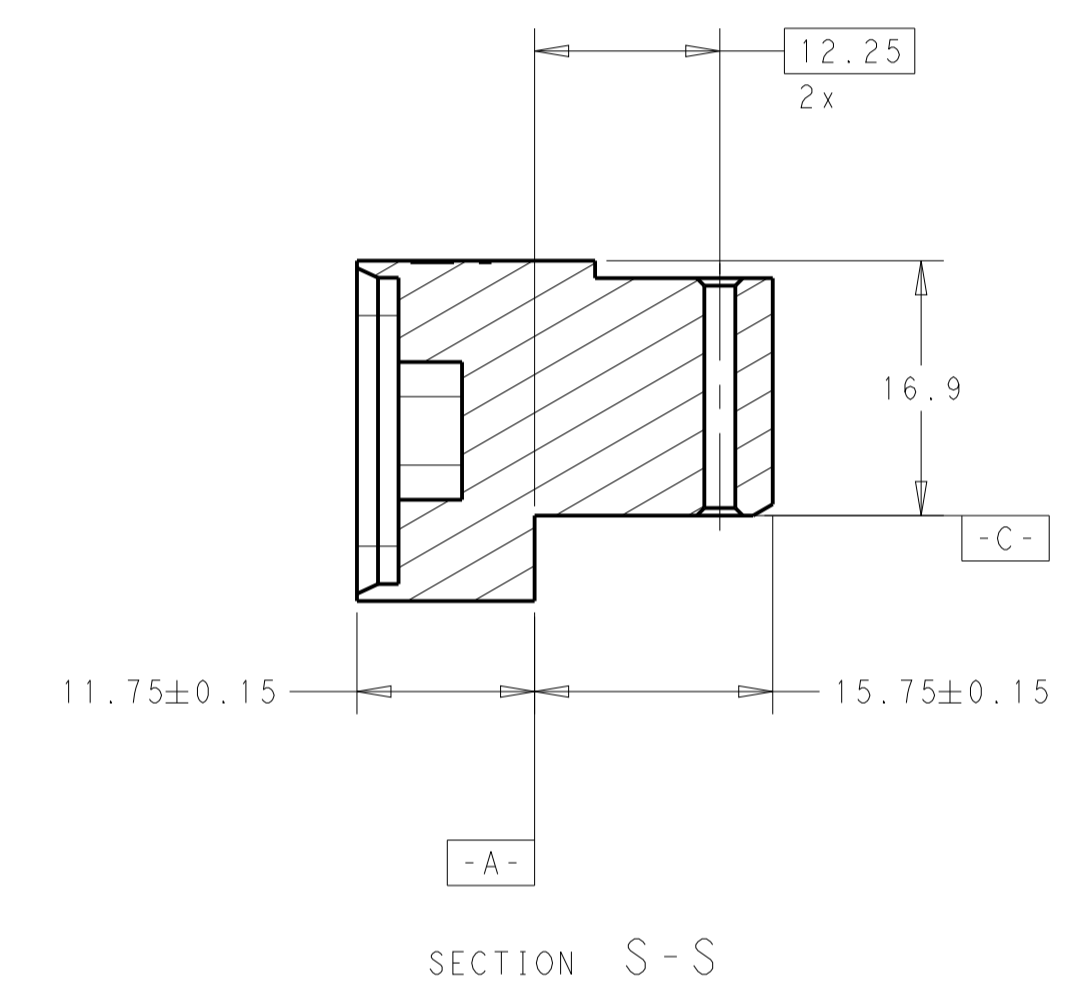
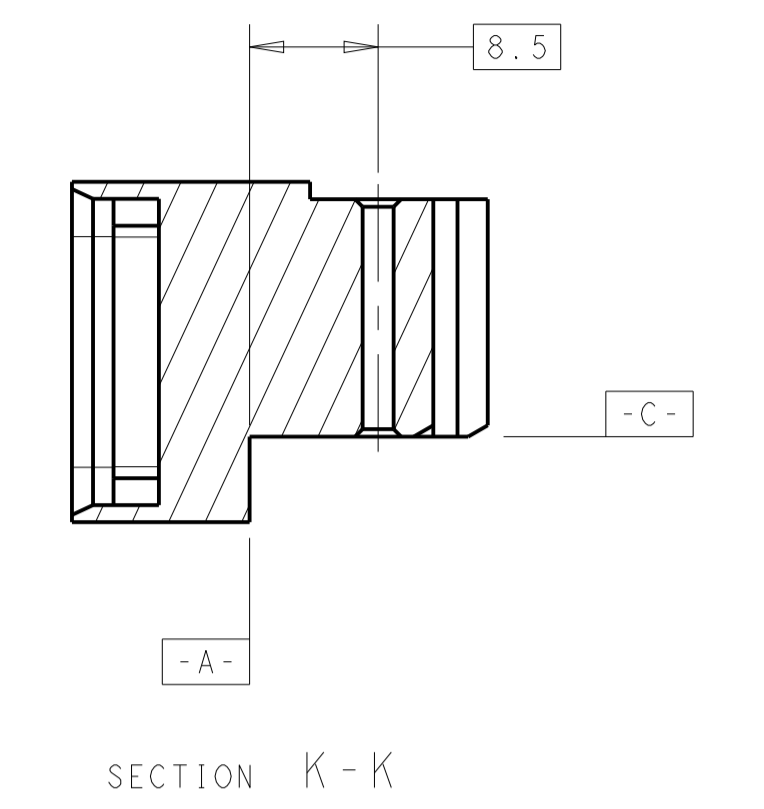
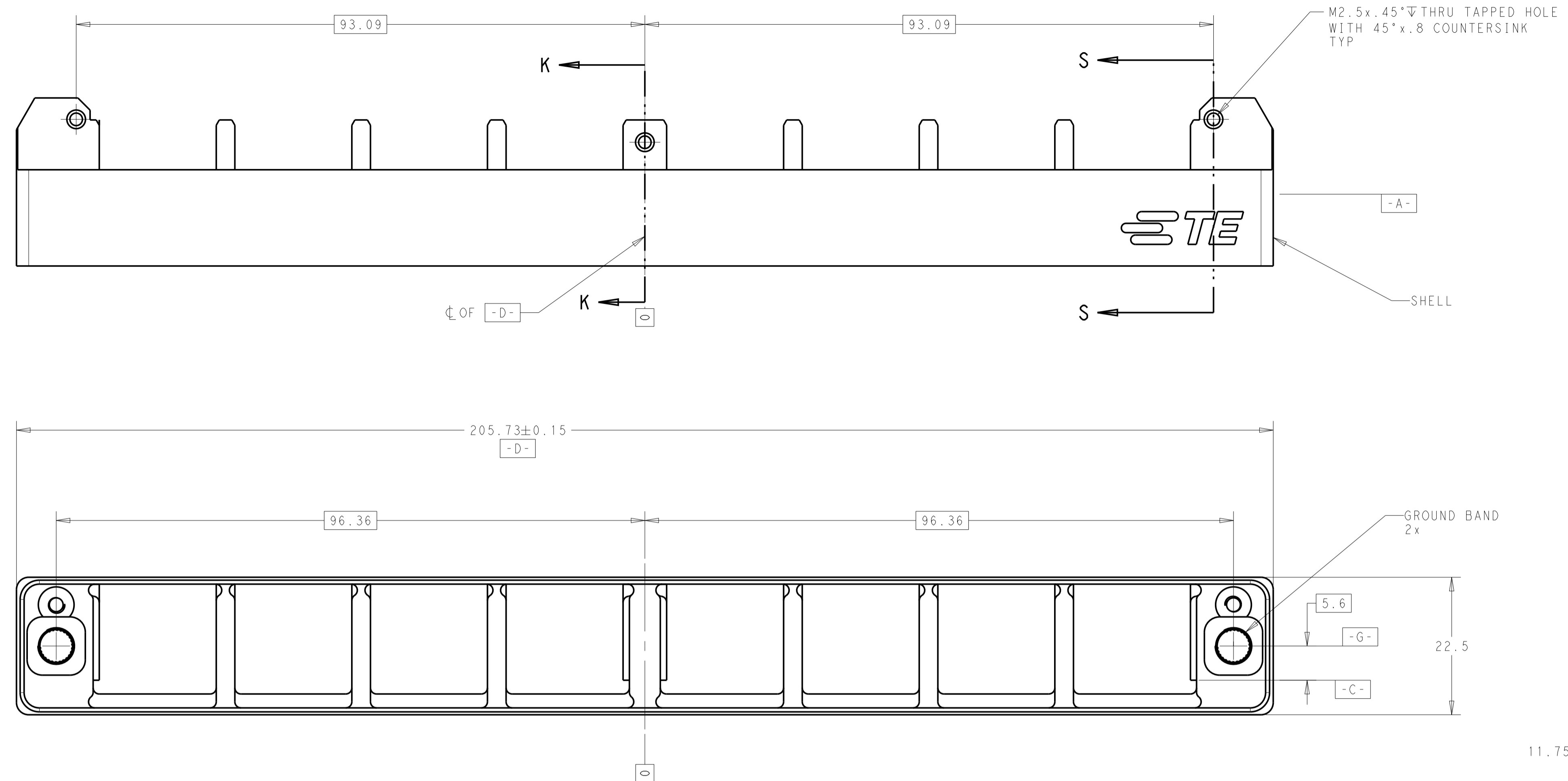
2226783-3 SHOWN



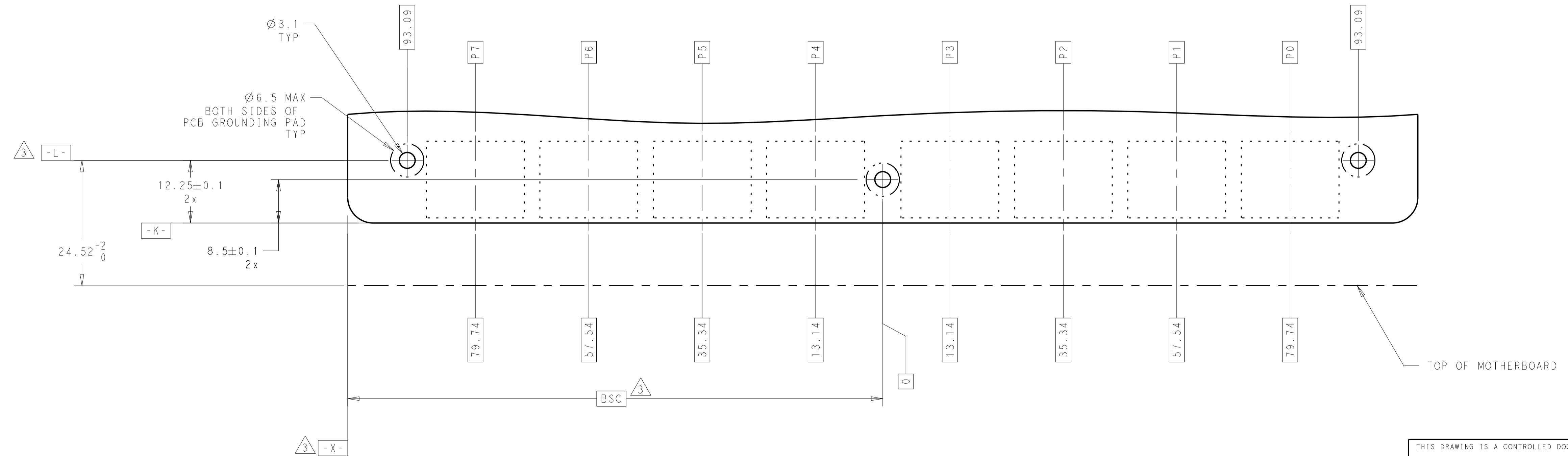
PCB INSERT LOCATIONS

THIS DRAWING IS A CONTROLLED DOCUMENT.		DWN: D. BELACK 25NOV2013	TE Connectivity Fortis Zd LRM, DAUGHTER CARD, RIGHT ANGLE, SHELL ASSEMBLY
DIMENSIONS: mm		CHK: K. THACKSTON 11-25-13	
TOLERANCES UNLESS OTHERWISE SPECIFIED:		APVD: M. McALONIS 11-25-13	NAME: Customer Drawing
0 PLC ±0.13	1 PLC ±0.05	2 PLC ±0.025	SIZE: A1
3 PLC ±0.025	4 PLC ±0.025	5 PLC ±0.025	CAGE CODE: -
MATERIAL: 1		FINISH: 2	DRAWING NO: 2226783
WEIGHT: -		SCALE: 1:1	SHEET 3 OF 5
REVISIONS: -		REV: A	RESTRICTED TO: -

REVISIONS				
P.	LTN.	DESCRIPTION	DATE	APVD.
-	-	SEE SHEET 1	-	-



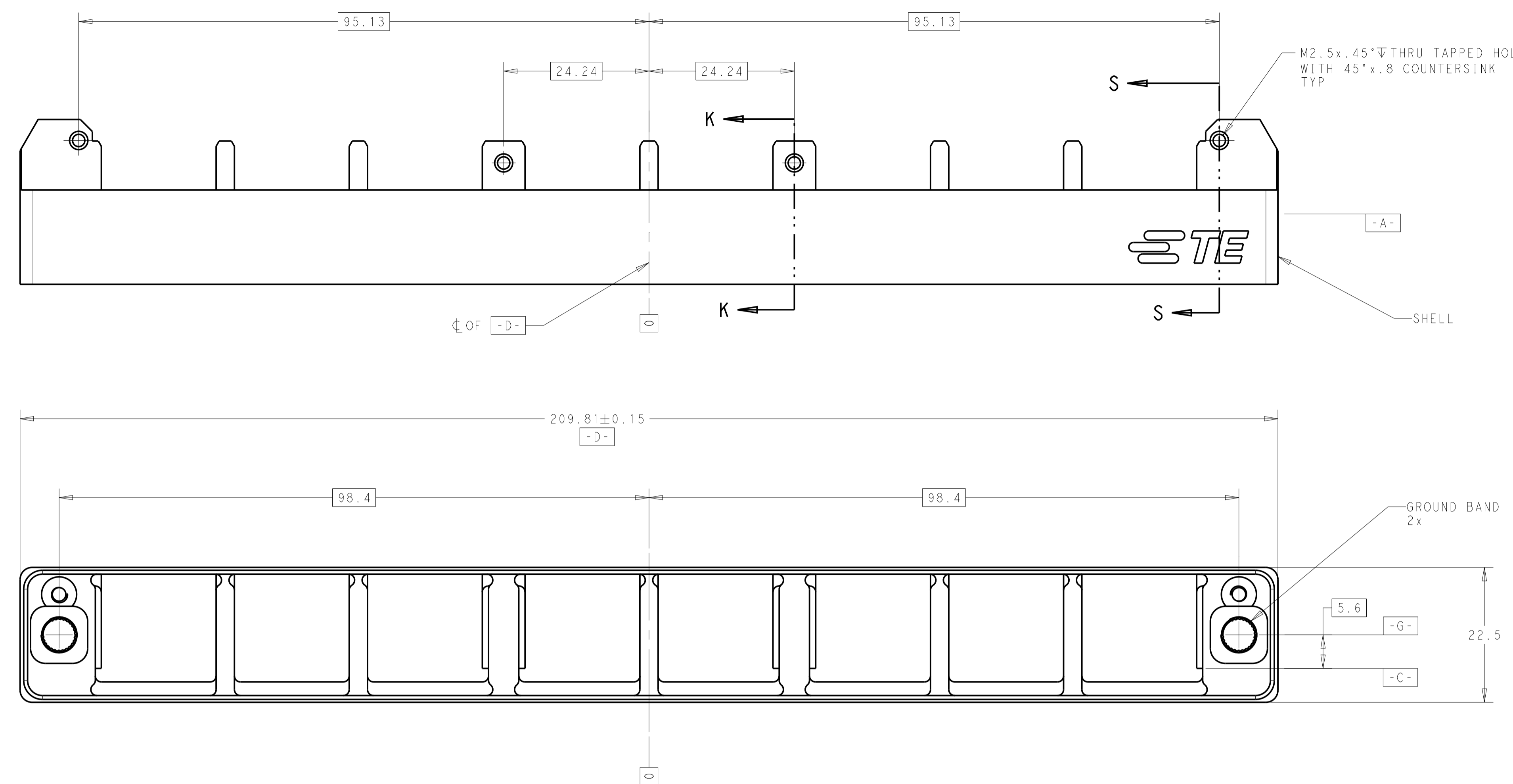
2226783-4 SHOWN



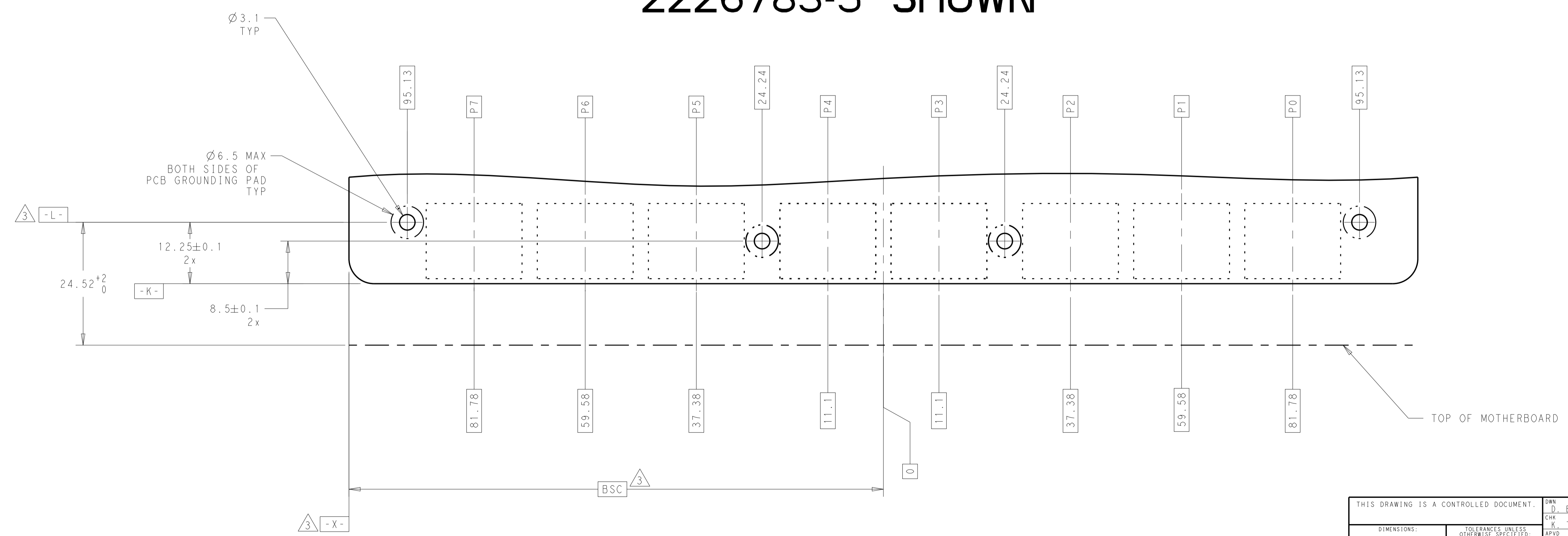
PCB INSERT LOCATIONS

THIS DRAWING IS A CONTROLLED DOCUMENT.		OWN: D. BELACK 25NOV2013	TE Connectivity
DIMENSIONS: mm		CHK: K. THACKSTON 11-25-13	
TOLERANCES UNLESS OTHERWISE SPECIFIED:		APVD: M. McALONIS 11-25-13	NAME: Fortis Zd LRM, DAUGHTER CARD, RIGHT ANGLE, SHELL ASSEMBLY
0 PLC ±0.13 1 PLC ±0.05 2 PLC ±0.05 3 PLC ±0.025 4 PLC ±0.025 ANGLES ±0.2°		PRODUCT SPEC: 108-2474	
MATERIAL: 1		FINISH: 2	APPLICATION SPEC: 408-10464
Customer Drawing		SCALE: 1:1	RESTRICTED TO: A1
SHEET 4 OF 5		REV A	

REVISIONS				
P.	LTN	DESCRIPTION	DATE	APVD
-	-	SEE SHEET 1	-	-



2226783-5 SHOWN



PCB INSERT LOCATIONS

THIS DRAWING IS A CONTROLLED DOCUMENT.		DWN: D. BELACK 25NOV2013	TE Connectivity Fortis Zd LRM, DAUGHTER CARD, RIGHT ANGLE, SHELL ASSEMBLY
DIMENSIONS: mm		CHK: K. THACKSTON 11-25-13	
TOLERANCES UNLESS OTHERWISE SPECIFIED:		APVD: M. McALONIS 11-25-13	NAME: 108-2474
0 PLC ±0.13 1 PLC ±0.05 2 PLC ±0.05 3 PLC ±0.025 4 PLC ±0.025		PRODUCT SPEC: 108-2474	APPLICATION SPEC: 408-10464
MATERIAL: FINISH: ANGLE: ±2°		WEIGHT: 408-10464	RESTRICTED TO: A1
Customer Drawing		SCALE: 2:1	SHEET 5 OF 5 REV A