



Chipsmall Limited consists of a professional team with an average of over 10 year of expertise in the distribution of electronic components. Based in Hongkong, we have already established firm and mutual-benefit business relationships with customers from,Europe,America and south Asia,supplying obsolete and hard-to-find components to meet their specific needs.

With the principle of “Quality Parts,Customers Priority,Honest Operation,and Considerate Service”,our business mainly focus on the distribution of electronic components. Line cards we deal with include Microchip,ALPS,ROHM,Xilinx,Pulse,ON,Everlight and Freescale. Main products comprise IC,Modules,Potentiometer,IC Socket,Relay,Connector.Our parts cover such applications as commercial,industrial, and automotives areas.

We are looking forward to setting up business relationship with you and hope to provide you with the best service and solution. Let us make a better world for our industry!



Contact us

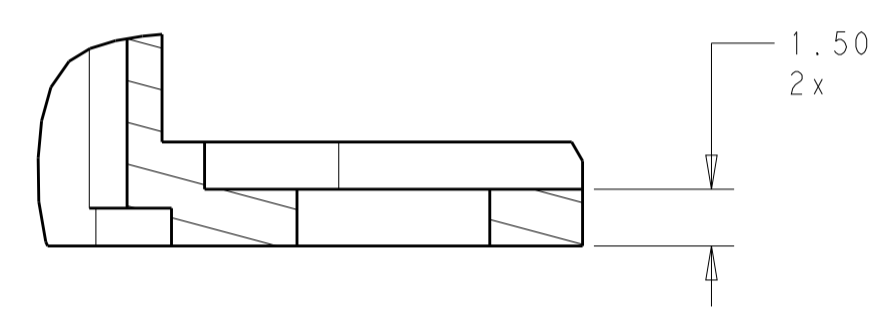
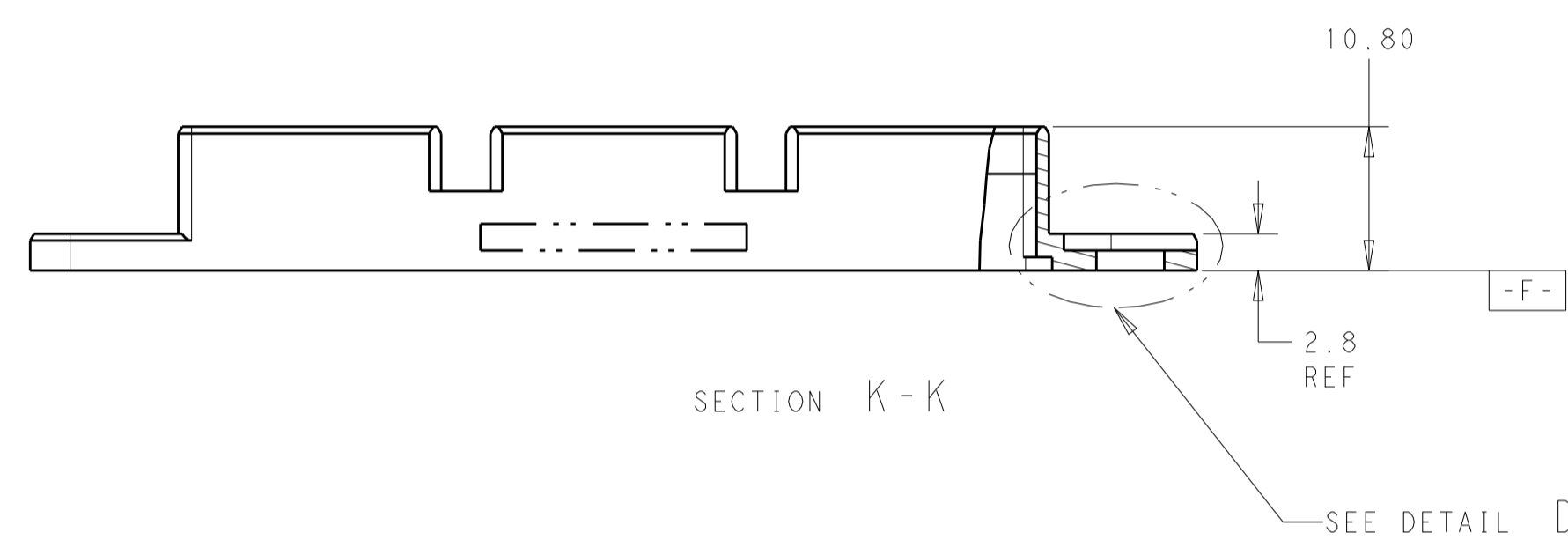
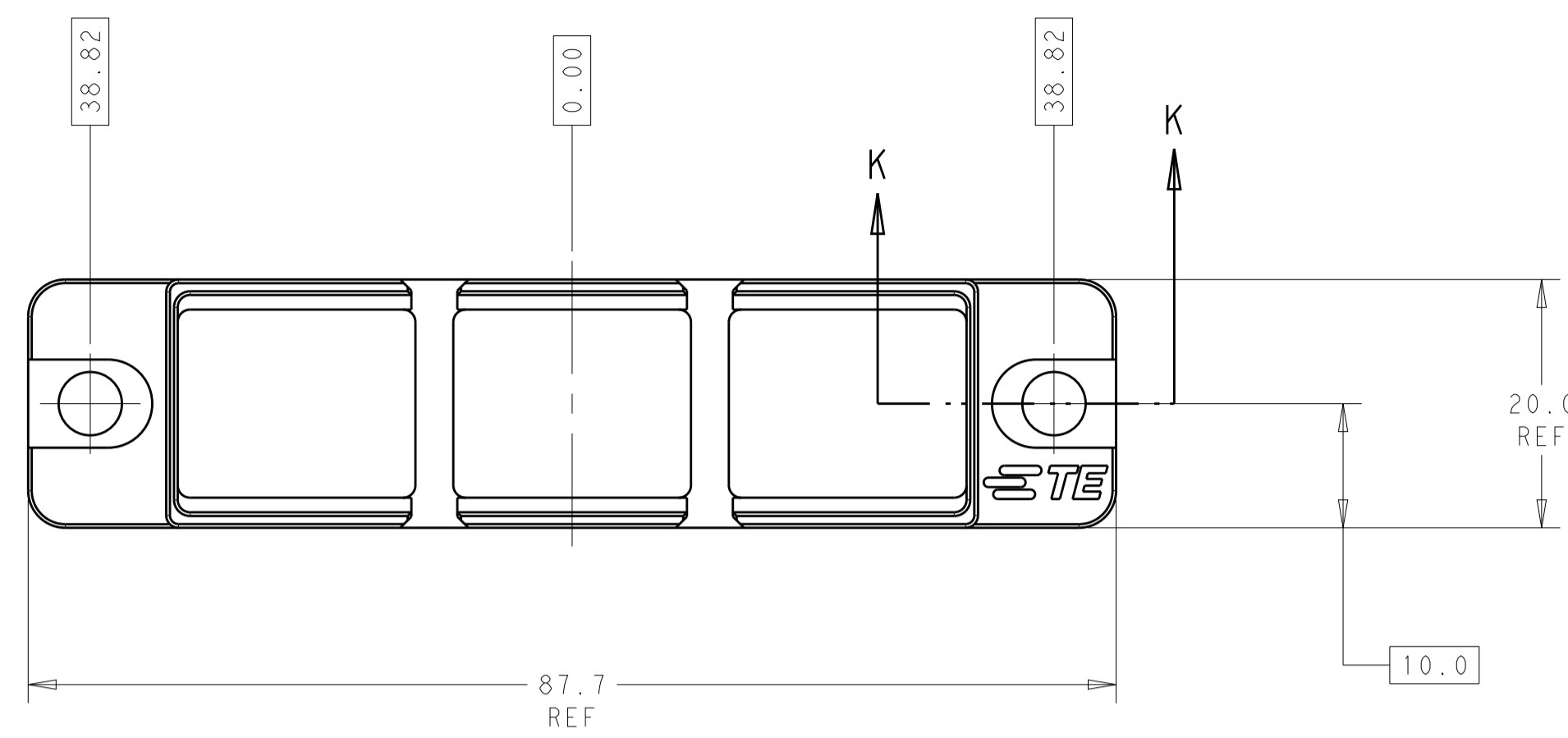
Tel: +86-755-8981 8866 Fax: +86-755-8427 6832

Email & Skype: info@chipsmall.com Web: www.chipsmall.com

Address: A1208, Overseas Decoration Building, #122 Zhenhua RD., Futian, Shenzhen, China

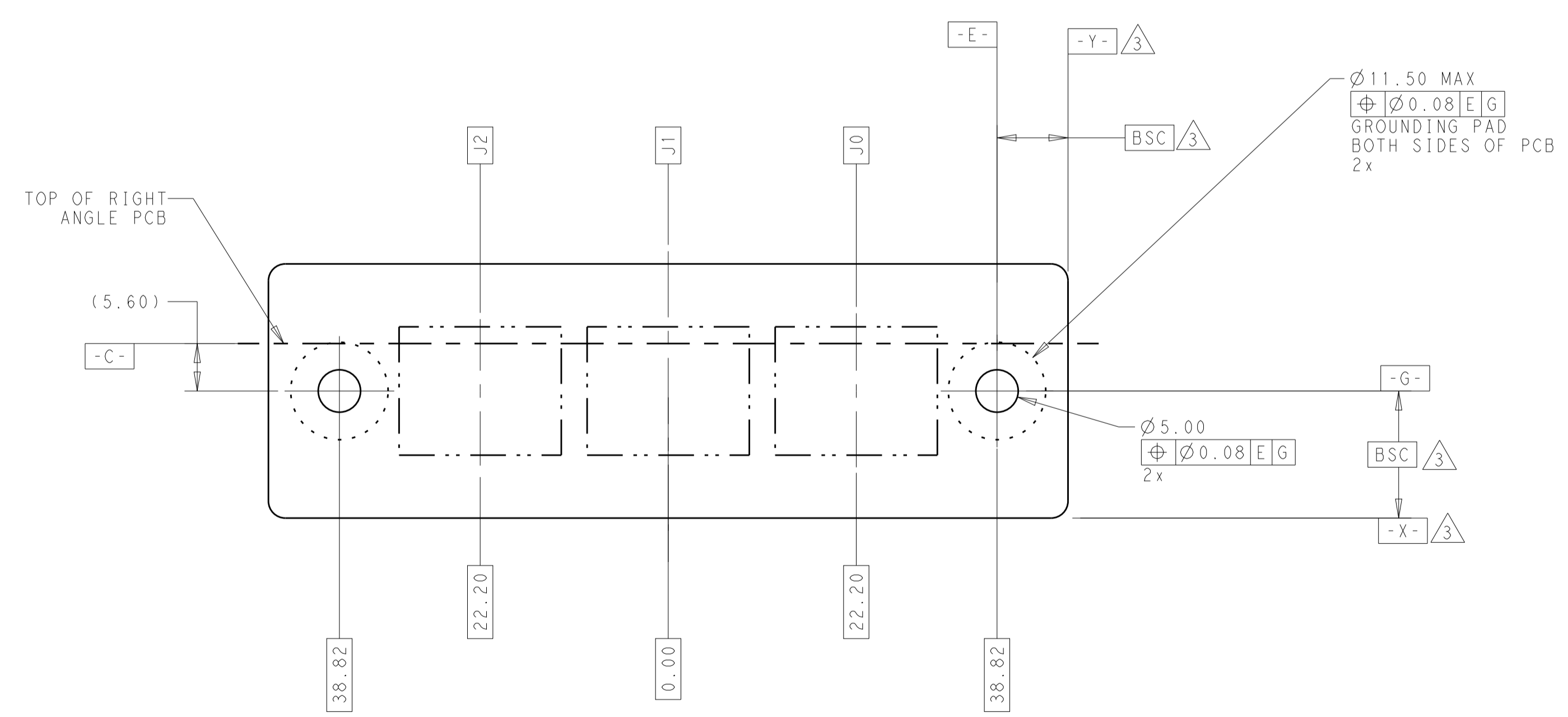


REVISIONS				
P.	LTN	DESCRIPTION	DATE	APVD
2		ADDED NEW DASH NUMBER	24APR2014	DCB KT
3		ADDED NEW DASH NUMBER	21MAY2014	DCB KT
5		ECO-15-001933	24FEB2015	KG DH



DETAIL D
SCALE 5:1

2226784-1 SHOWN



- 1 MATERIAL: ALUMINUM ALLOY
- 2 FINISH: TRIVALENT CHROMATE, 96 HOUR SALT SPRAY CAPABLE.
- 3 DATUMS AND BASIC DIMENSIONS ESTABLISHED BY CUSTOMER.

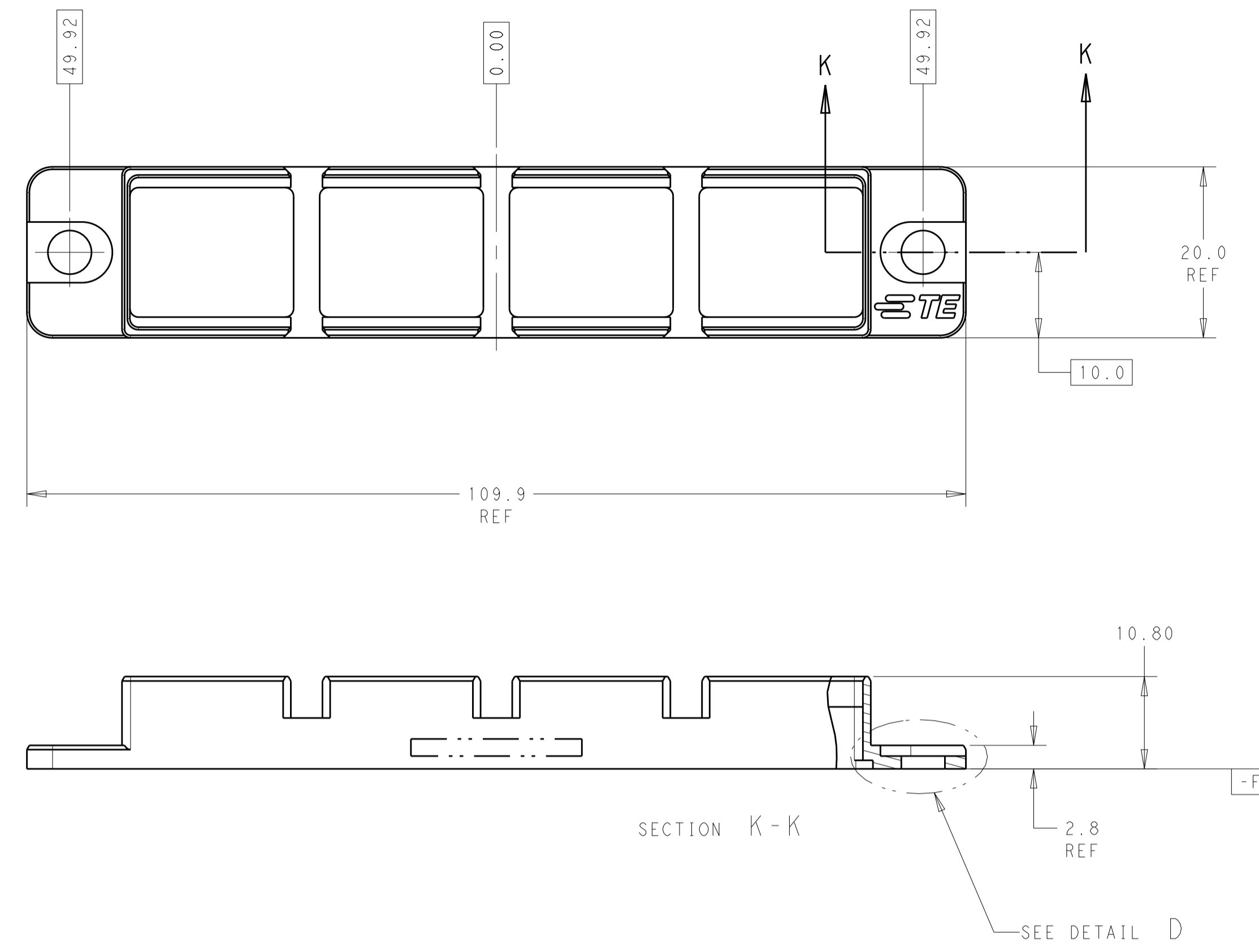
PCB INSERT LOCATIONS

APPROX. WEIGHT g	SHELL TO PCB MOUNTING POINTS	# OF BAYS	PART NUMBER
31.1	4	8	2226784-5
29.3	3	8	2226784-4
34.2	4	9	2226784-3
15.1	2	4	2226784-2
12.0	2	3	2226784-1

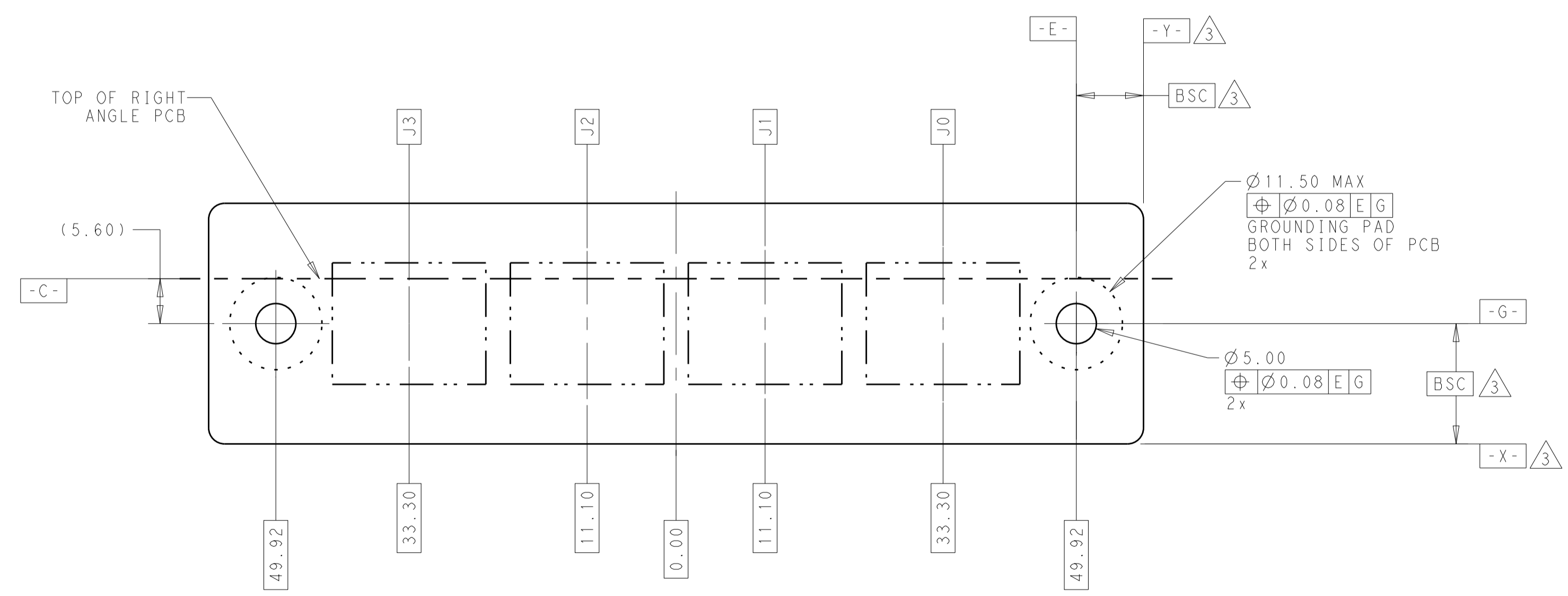
THIS PRINT IS
PRELIMINARY
 UNQUALIFIED PRODUCT
 CONTACT PRODUCT ENGINEERING
 BEFORE USING THIS PRINT

THIS DRAWING IS A CONTROLLED DOCUMENT.		DWN D. BELACK 18NOV2013	
DIMENSIONS: mm		CHK K. THACKSTON	
TOLERANCES UNLESS OTHERWISE SPECIFIED:		APVD M. McALONIS	
0 PLC ±0.13	1 PLC ±0.08	NAME Fortis Zd LRM, BACKPLANE, VERTICAL, SHELL ASSEMBLY	
3 PLC ±0.025	4 PLC ±0.025	PRODUCT SPEC 108-2474	
ANGLES ±2°		APPLICATION SPEC 408-10464	
MATERIAL 1		FINISH 2	
WEIGHT		SIZE CAGE CODE DRAWING NO. RESTRICTED TO	
Customer Drawing		A1 - C=2226784	
SCALE 2:1		SHEET 1 OF 5 REV 5	

REVISIONS				
P.	LTN.	DESCRIPTION	DATE	APVD.
-	-	SEE SHEET 1	-	-



2226784-2 SHOWN

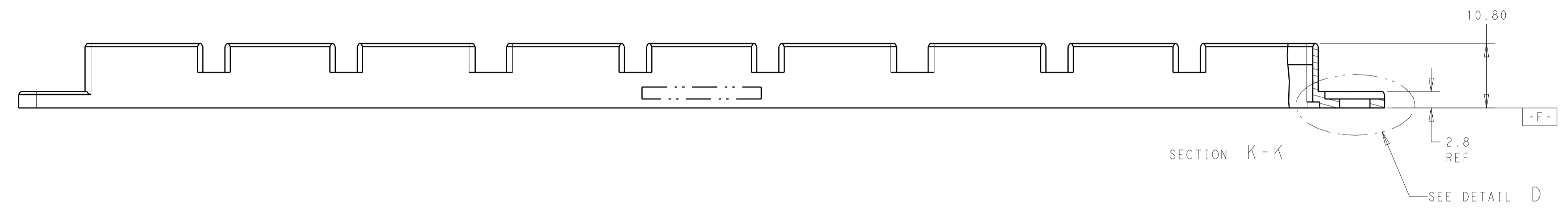
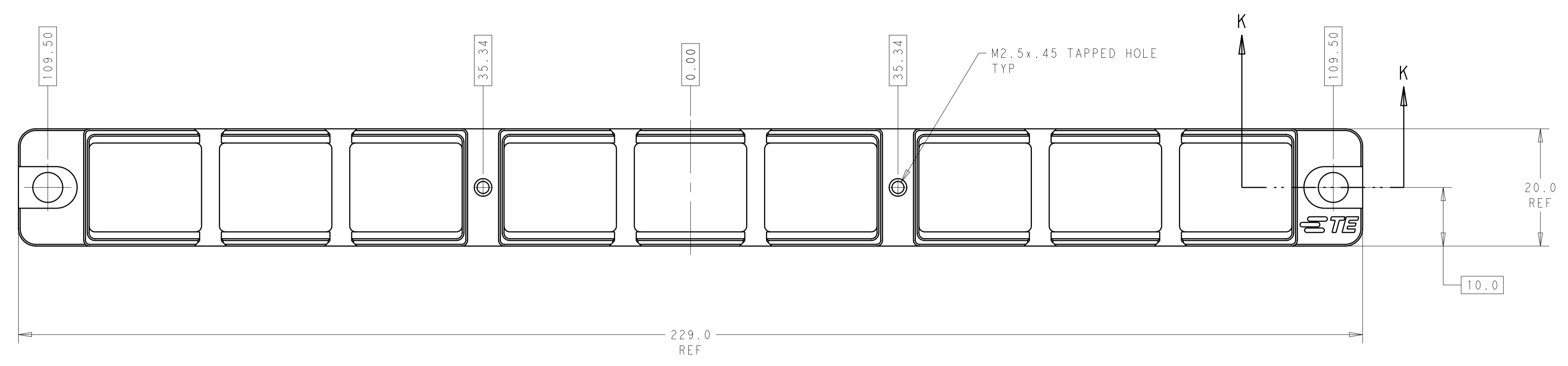


THIS PRINT IS
PRELIMINARY
 UNQUALIFIED PRODUCT
 CONTACT PRODUCT ENGINEERING
 BEFORE USING THIS PRINT

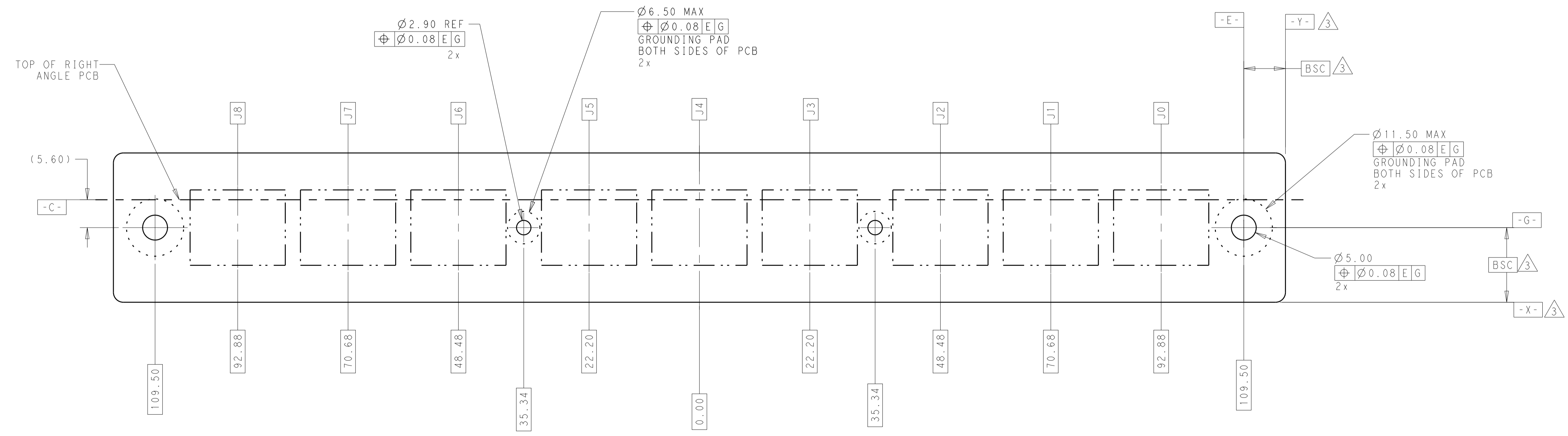
PCB INSERT LOCATIONS

THIS DRAWING IS A CONTROLLED DOCUMENT.		DWN D. BELACK 18NOV2013	TE Connectivity
DIMENSIONS: mm		CHK K. THACKSTON	
TOLERANCES UNLESS OTHERWISE SPECIFIED: 0 PLC ±0.13 2 PLC ±0.08 3 PLC ±0.08 4 PLC ±0.025 ANGLES ±2°		APVD M. McALONIS	NAME Fortis Zd LRM, BACKPLANE, VERTICAL, SHELL ASSEMBLY
MATERIAL		PRODUCT SPEC 108-2474	SIZE A1
FINISH		APPLICATION SPEC 408-10464	RESTRICTED TO
Customer Drawing		WEIGHT	SCALE 1:1 SHEET 2 OF 5 REV 5

REVISIONS				
P.	LTN.	DESCRIPTION	DATE	APVD.
-	-	SEE SHEET 1	-	-



2226784-3 SHOWN

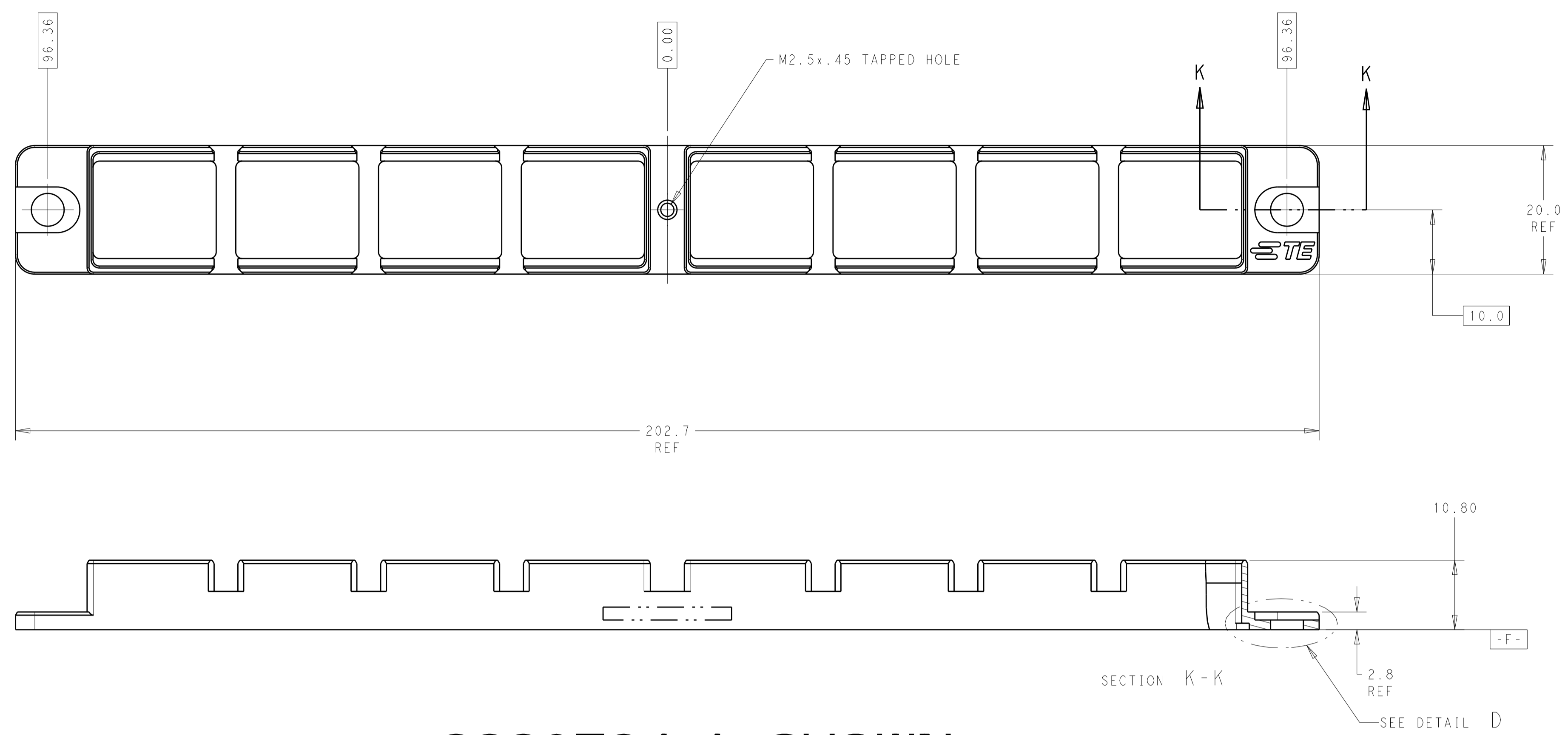


THIS PRINT IS
PRELIMINARY
 UNQUALIFIED PRODUCT
 CONTACT PRODUCT ENGINEERING
 BEFORE USING THIS PRINT

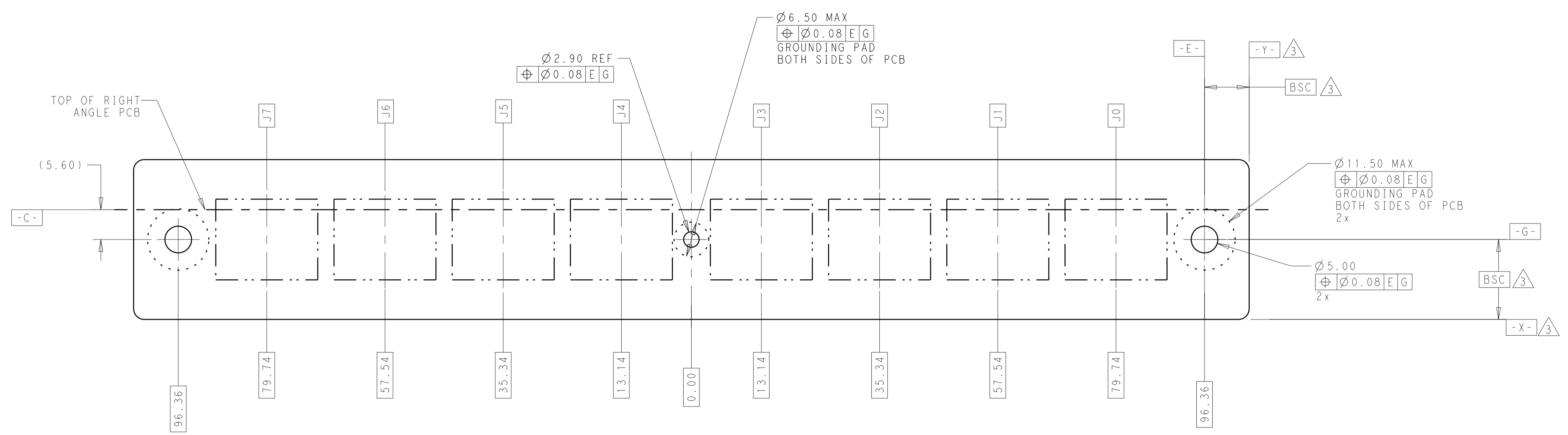
PCB INSERT LOCATIONS

THIS DRAWING IS A CONTROLLED DOCUMENT.		DWN: D. BELACK 18NOV2013	TE Connectivity
DIMENSIONS: mm		CHK: K. THACKSTON	
TOLERANCES UNLESS OTHERWISE SPECIFIED:		APVD: M. McALONIS	NAME: Fortis Zd LRM, BACKPLANE, VERTICAL, SHELL ASSEMBLY
0 PLC ±0.13	1 PLC ±0.08	2 PLC ±0.08	PRODUCT SPEC: 108-2474
3 PLC ±0.025	4 PLC ±0.025	ANGLES ±2°	APPLICATION SPEC: 408-10464
MATERIAL: 1	FINISH: 2	WEIGHT: -	SIZE: A1
Customer Drawing		SCALE: 1:1	RESTRICTED TO: -
		SHEET: 3 OF 5	REV: 5

REVISIONS				
P.	LTN.	DESCRIPTION	DATE	APVD.
-	-	SEE SHEET 1	-	-



2226784-4 SHOWN

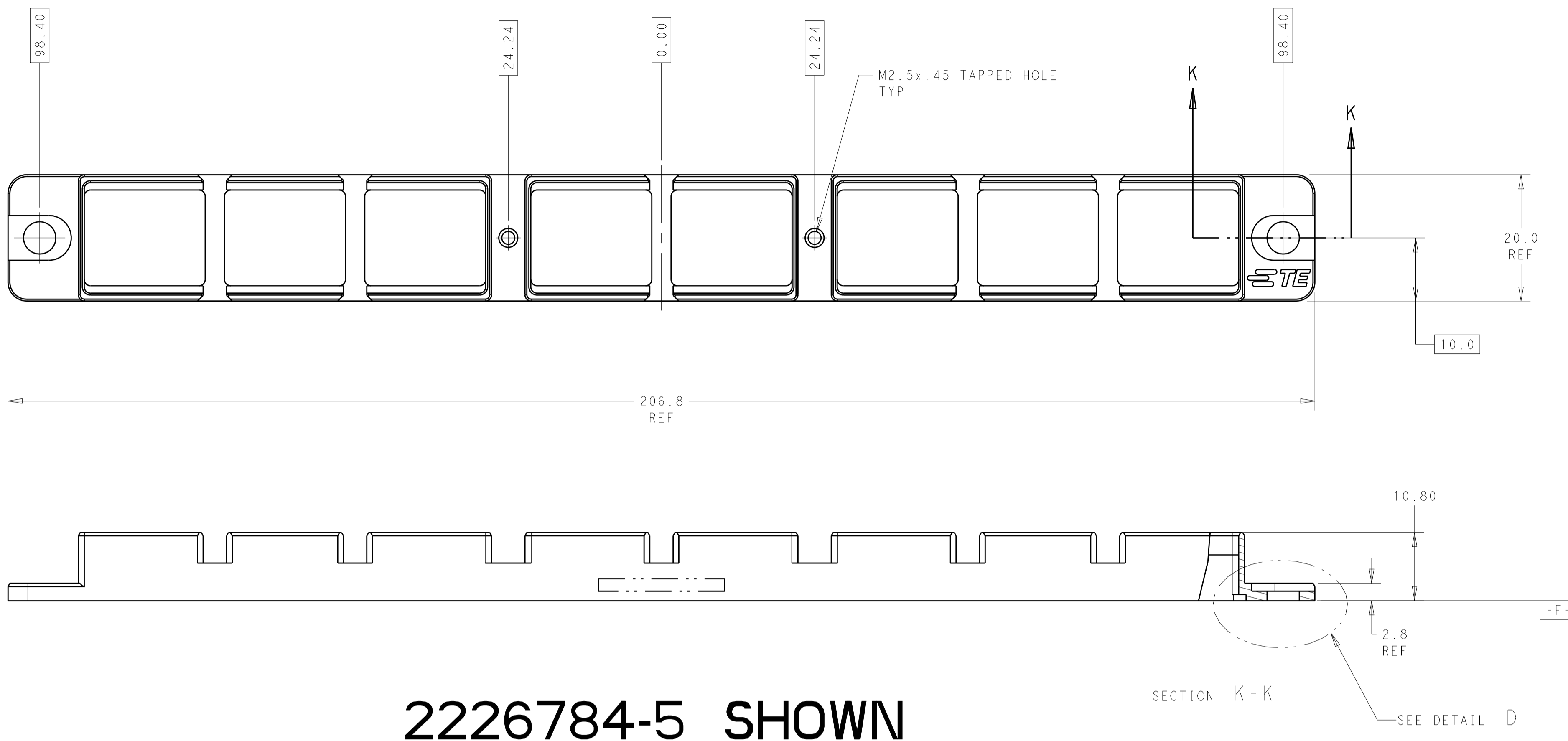


PCB INSERT LOCATIONS

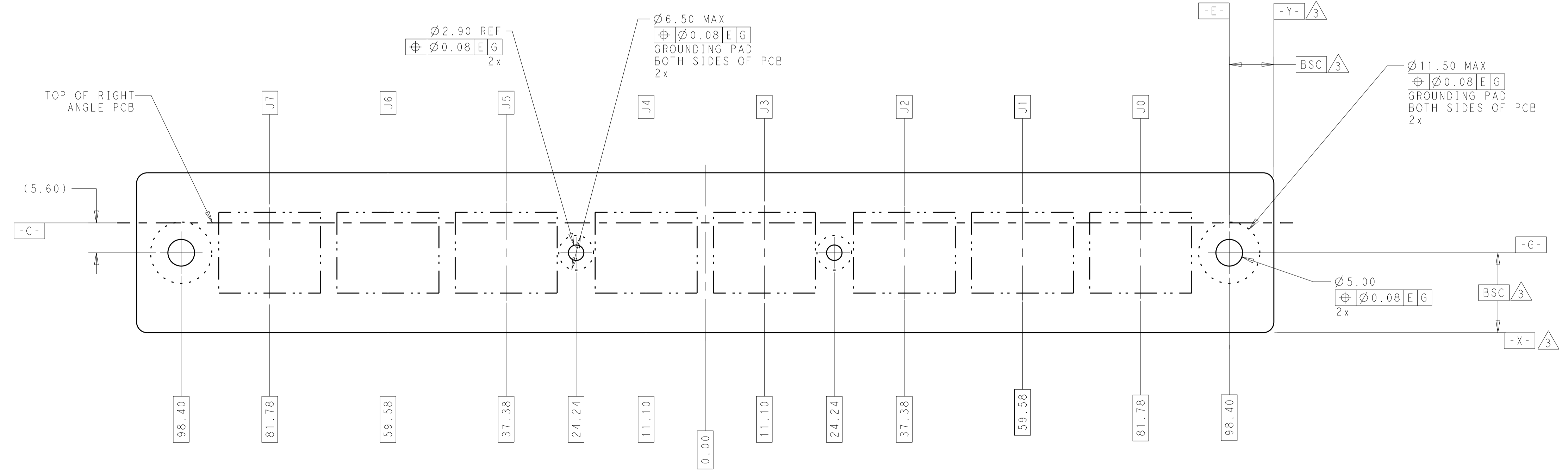
THIS PRINT IS
PRELIMINARY
 UNQUALIFIED PRODUCT
 CONTACT PRODUCT ENGINEERING
 BEFORE USING THIS PRINT

THIS DRAWING IS A CONTROLLED DOCUMENT.		DWN D. BELACK	18NOV2013	TE Connectivity NAME Fortis Zd LRM, BACKPLANE, VERTICAL, SHELL ASSEMBLY
DIMENSIONS: mm		CHK K. THACKSTON	APVD M. McALONIS	
TOLERANCES UNLESS OTHERWISE SPECIFIED: 0 PLC ±.13 1 PLC ±0.08 2 PLC ±0.08 3 PLC ±0.025 4 PLC ±. ANGLES ±2°		PRODUCT SPEC 108-2474 APPLICATION SPEC 408-10464		SIZE A1
MATERIAL		WEIGHT		CAGE CODE -
FINISH		Customer Drawing		SCALE 1:1
		SHEET 4 OF 5		REV 5

REVISIONS				
P.	LTN.	DESCRIPTION	DATE	APP'D.
-	-	SEE SHEET 1	-	-



2226784-5 SHOWN



PCB INSERT LOCATIONS

THIS PRINT IS
PRELIMINARY
 UNQUALIFIED PRODUCT
 CONTACT PRODUCT ENGINEERING
 BEFORE USING THIS PRINT

THIS DRAWING IS A CONTROLLED DOCUMENT.		DWN: D. BELACK 18NOV2013	TE Connectivity NAME: Fortis Zd LRM, BACKPLANE, VERTICAL, SHELL ASSEMBLY
DIMENSIONS: mm		CHK: K. THACKSTON	
TOLERANCES UNLESS OTHERWISE SPECIFIED:		APVD: M. McALONIS	PRODUCT SPEC: 108-2474
0 PLC ±0.13	1 PLC ±0.08	2 PLC ±0.08	APPLICATION SPEC: 408-10464
3 PLC ±0.025	4 PLC ±0.025	ANGLES ±2°	SIZE: A1
MATERIAL:	FINISH:	WEIGHT: -	SCALE: 2:1
Customer Drawing		RESTRICTED TO: -	SHEET 5 OF 5