



Chipsmall Limited consists of a professional team with an average of over 10 year of expertise in the distribution of electronic components. Based in Hongkong, we have already established firm and mutual-benefit business relationships with customers from,Europe,America and south Asia,supplying obsolete and hard-to-find components to meet their specific needs.

With the principle of "Quality Parts,Customers Priority,Honest Operation,and Considerate Service",our business mainly focus on the distribution of electronic components. Line cards we deal with include Microchip,ALPS,ROHM,Xilinx,Pulse,ON,Everlight and Freescale. Main products comprise IC,Modules,Potentiometer,IC Socket,Relay,Connector.Our parts cover such applications as commercial,industrial, and automotives areas.

We are looking forward to setting up business relationship with you and hope to provide you with the best service and solution. Let us make a better world for our industry!



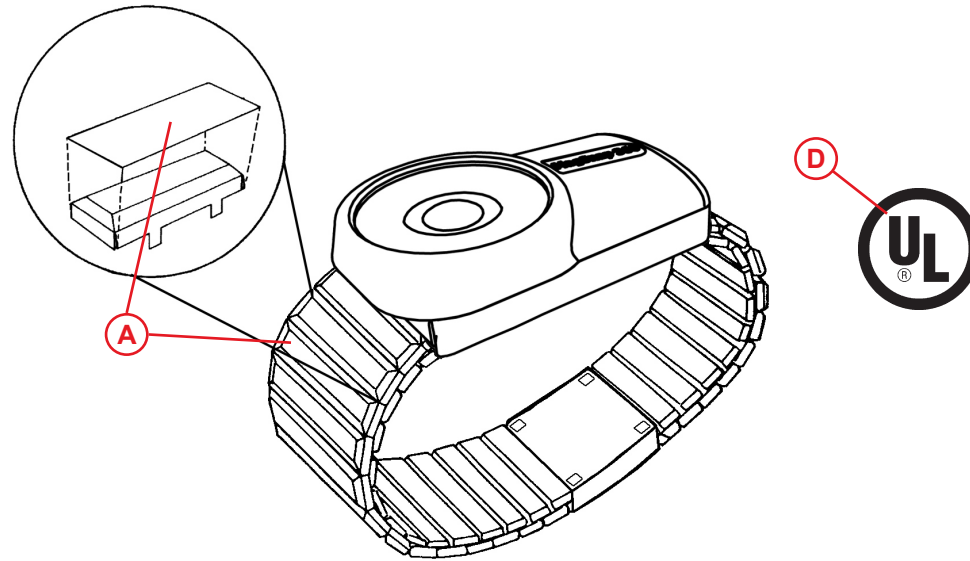
Contact us

Tel: +86-755-8981 8866 Fax: +86-755-8427 6832

Email & Skype: info@chipsmall.com Web: www.chipsmall.com

Address: A1208, Overseas Decoration Building, #122 Zhenhua RD., Futian, Shenzhen, China





Band Size	Circumference	
	Min.	Max.
Small	5.5" (140mm)	9" (229mm)
Medium	6" (152mm)	11" (279mm)
Large	7" (178mm)	12" (305mm)

Item	Band Size	Coil Cord
2225	Small	Not Included
2226	Medium	Not Included
2227	Large	Not Included
2228	Small	6' (2234)
2229	Medium	6' (2234)
2230	Large	6' (2234)
2231	Small	12' (2235)
2232	Medium	12' (2235)
2233	Large	12' (2235)

- A. .002" polyphenylsulfone sheet laminated to each link. Provides >5,000 Volt RMS insulation per ASTM D149. Will not flake or peel.
- B. Unique dual contact design is to be paired with a [SCS MagSnap™ 360 Coil Cord](#) (not included) for a superior electrical connection. The magnetic connection made with the coil cord maintains a 1-5 pound perpendicular breakaway force to prevent accidental disconnects.
- C. Black ABS plastic cap. Molded with "MagSnap 360" trademark.
- D. Underwriters Laboratory Listing 90P1C.
- E. Inside links are constructed of 300 Series Stainless Steel. Width of links is 0.63".
- F. Black ABS plastic insulator separates band into halves.

Meets required limits of ANSI/ESD S20.20 and requirements of ANSI/ESD S1.1.

U.S. Patent Pending

Unless otherwise noted, tolerance ±10%

Specifications and procedures subject to change without notice.

MAGSNAP 360™ DUAL-WIRE METAL EXPANSION WRISTBAND

926 JR Industrial Drive, Sanford, NC 27332
 WEB SITE: StaticControl.com
 PHONE (919) 718-0000

DRAWING NUMBER
2225

DATE
August 2015

