



Chipsmall Limited consists of a professional team with an average of over 10 year of expertise in the distribution of electronic components. Based in Hongkong, we have already established firm and mutual-benefit business relationships with customers from,Europe,America and south Asia,supplying obsolete and hard-to-find components to meet their specific needs.

With the principle of "Quality Parts,Customers Priority,Honest Operation,and Considerate Service",our business mainly focus on the distribution of electronic components. Line cards we deal with include Microchip,ALPS,ROHM,Xilinx,Pulse,ON,Everlight and Freescale. Main products comprise IC,Modules,Potentiometer,IC Socket,Relay,Connector.Our parts cover such applications as commercial,industrial, and automotives areas.

We are looking forward to setting up business relationship with you and hope to provide you with the best service and solution. Let us make a better world for our industry!



Contact us

Tel: +86-755-8981 8866 Fax: +86-755-8427 6832

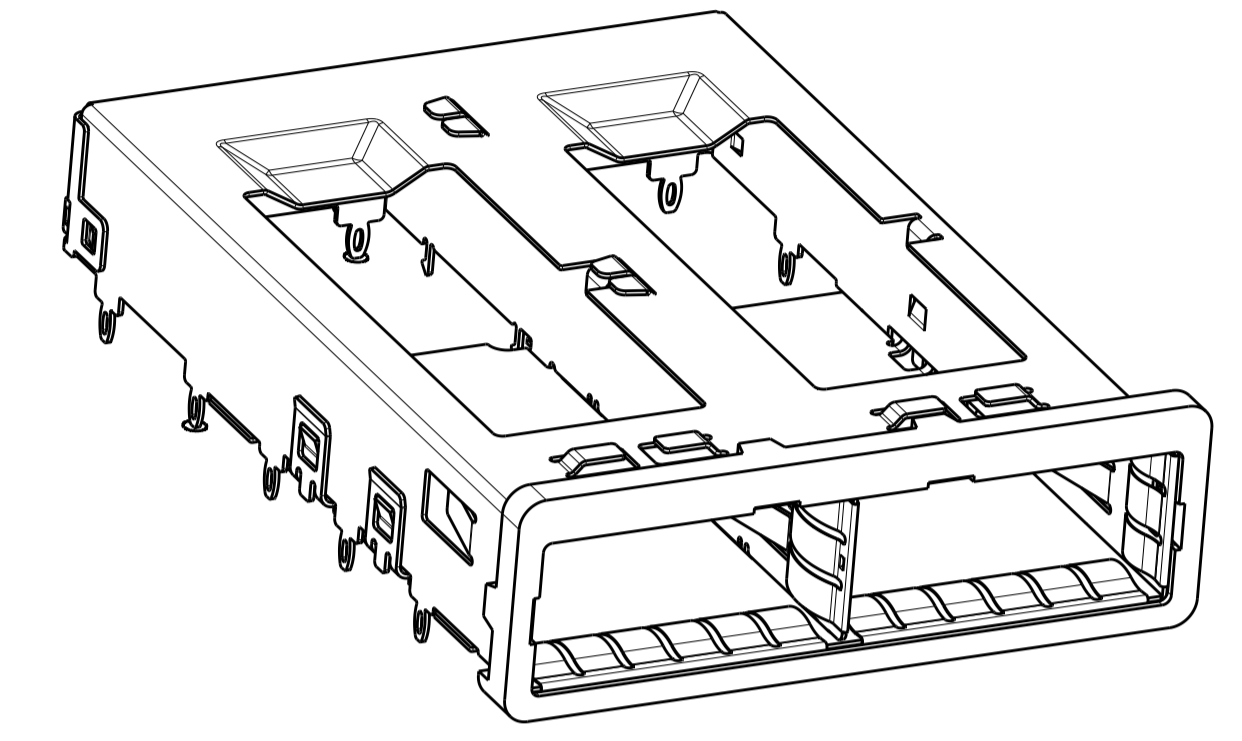
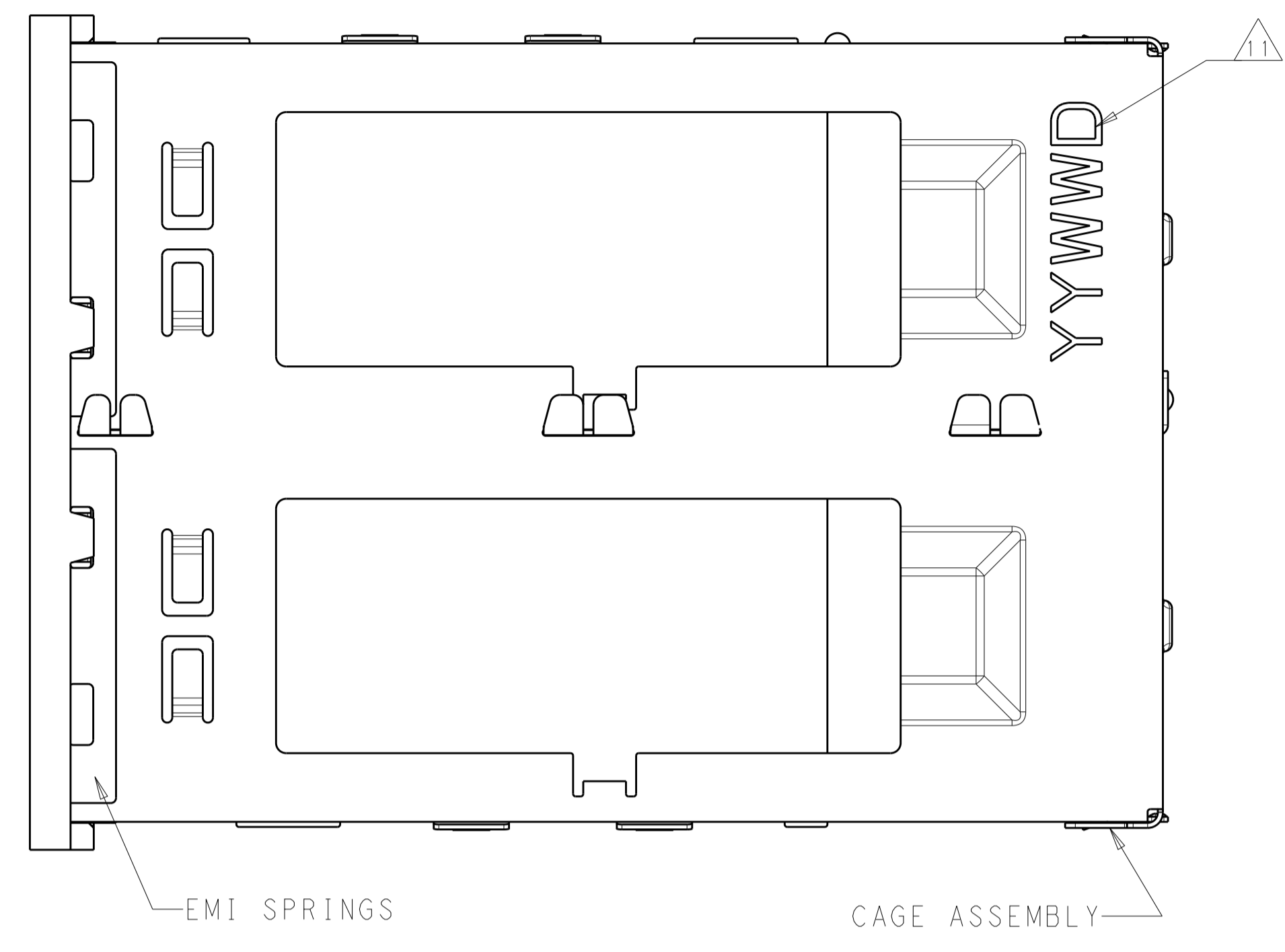
Email & Skype: info@chipsmall.com Web: www.chipsmall.com

Address: A1208, Overseas Decoration Building, #122 Zhenhua RD., Futian, Shenzhen, China

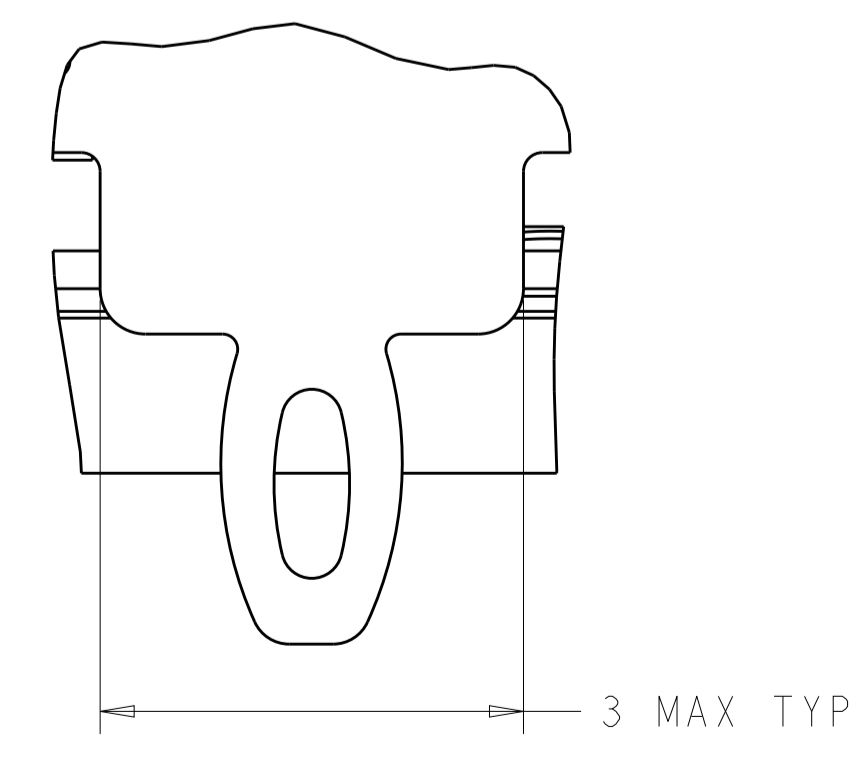
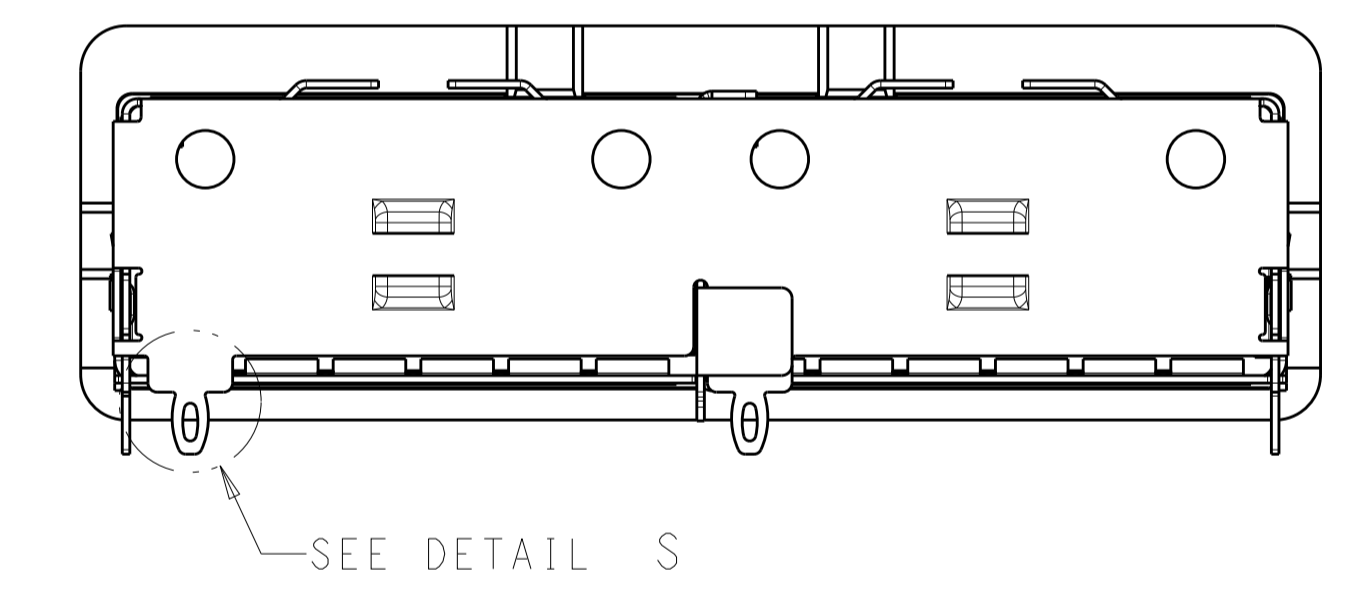
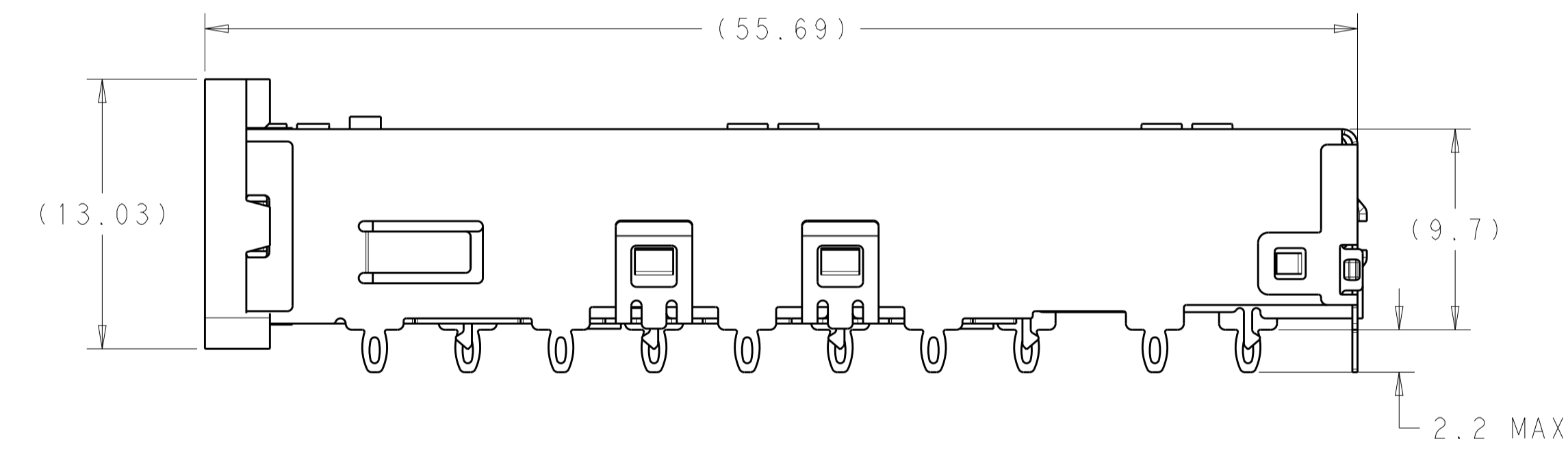
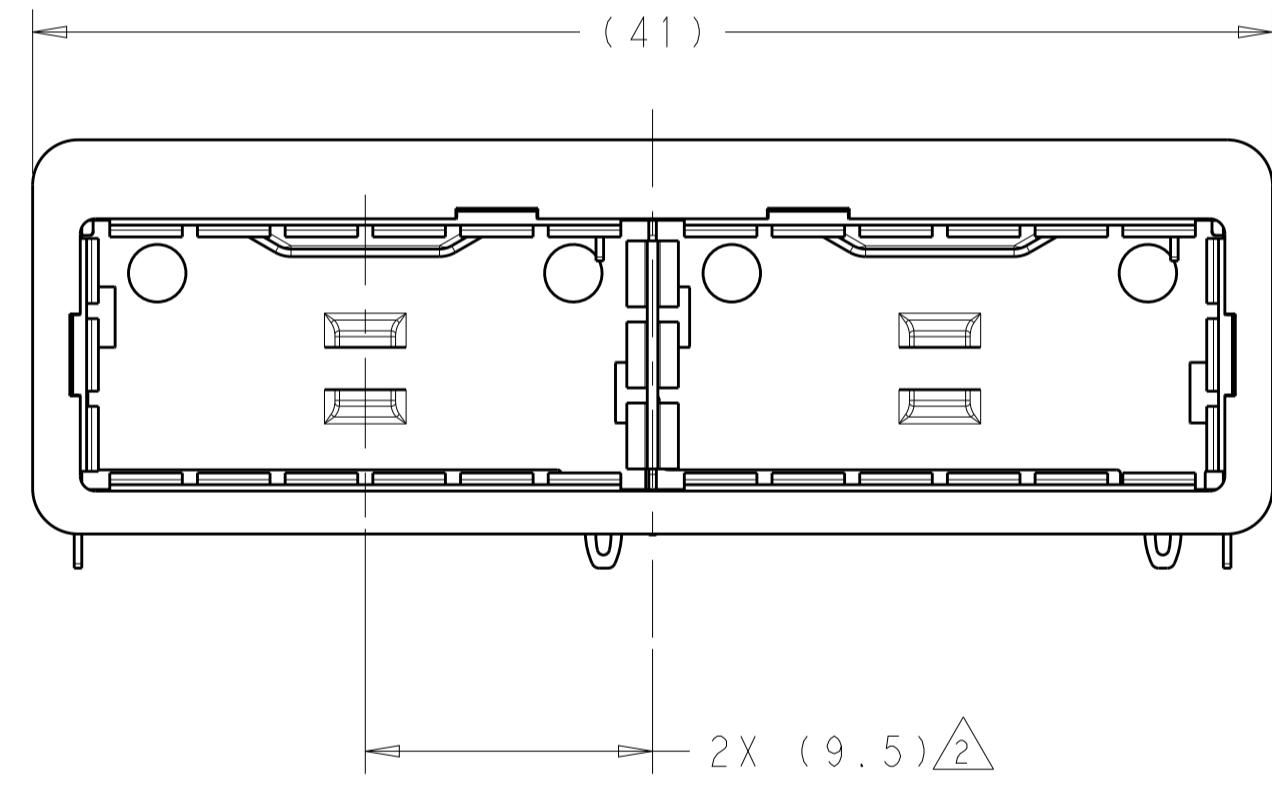


LOC	DIST	REVISIONS			
P	LTN	DESCRIPTION	DATE	DMN	APVD
A		RELEASED ECO-14-003627	11APR2014	LAW	EB
B		REVISED PER ECO-15-012666	07DEC2015	JY	SH
C		REVISED PER ECO-16-002221	18FEB2016	KD	SH

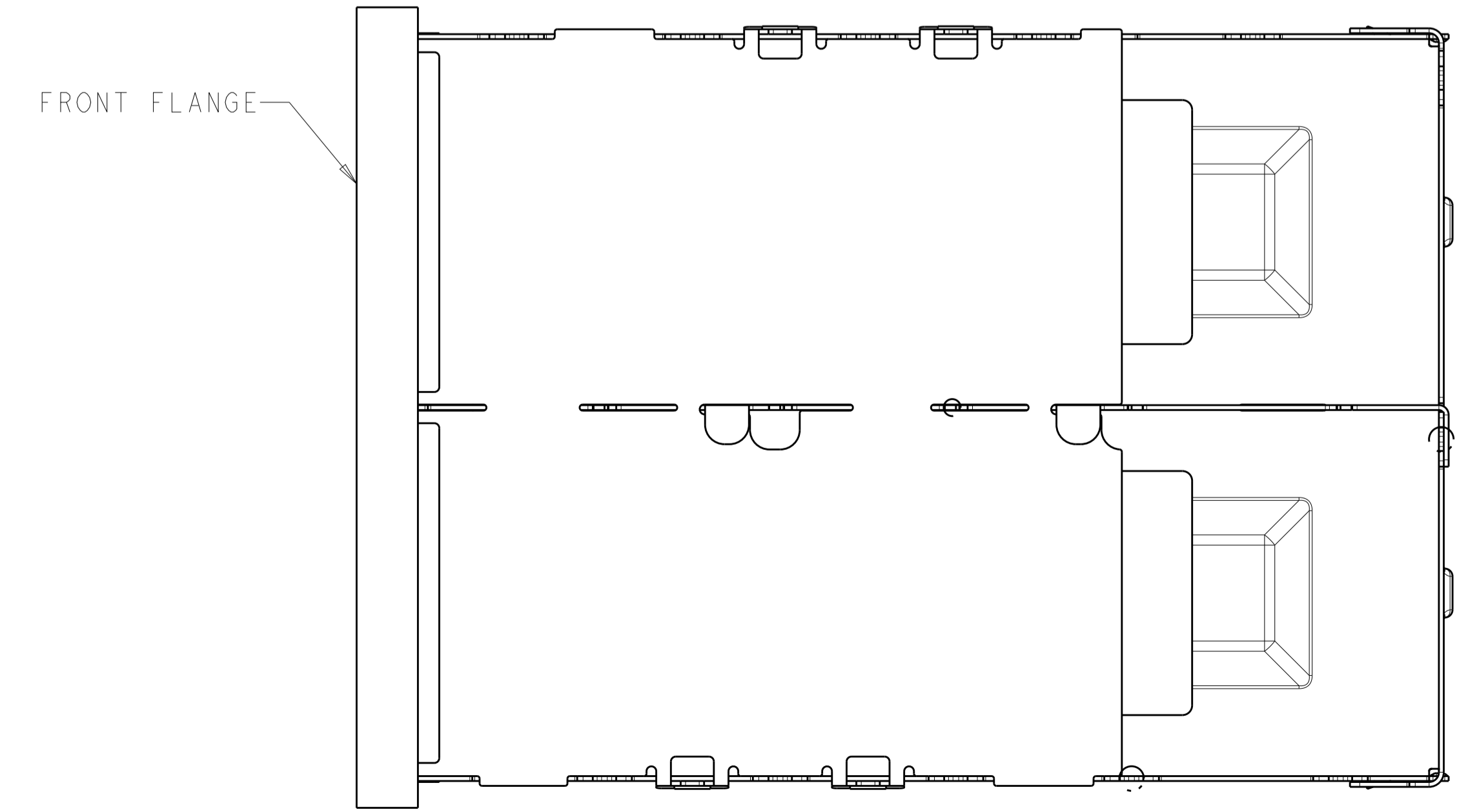
- △ SURFACE TRACES PERMITTED WITHIN THIS AREA EXCEPT WHERE CAGE STANDOFFS, SHOWN IN DETAIL S, CONTACT PC BOARD.
- △ PITCH BETWEEN PORTS OF ONE 1X2 CAGE ASSEMBLY.
- △ SPACING BETWEEN CAGES ON THE SAME PC BOARD, TO BE SPECIFIED BY CUSTOMER, MUST COMPLY WITH MINIMUM DIMENSIONS SHOWN.
- △ REFERENCE APPLICATION SPEC 114-XXXX FOR RECOMMENDED DRILL HOLE DIAMETER AND PLATING THICKNESS.
- △ UNPLATED THRU HOLE.
- △ DATUMS AND BASIC DIMENSIONS ESTABLISHED BY CUSTOMER.
- △ DATUM A IS TOP SURFACE OF PC BOARD.
- △ DIMENSION C IS THE NOMINAL THICKNESS OF CUSTOMER SUPPLIED PC BOARD.
- △ MINIMUM PC BOARD THICKNESS:
 SINGLE SIDED = 1.45mm
 DOUBLE SIDED = 2.2mm
- △ MATES WITH QSPF MSA COMPATIBLE TRANSCEIVER.
- △ BASELINE FOR THESE DIMENSIONS IS THE CENTER OF COMPLIANT PIN HOLE.
- △ DATE CODE (YYWWD) MARKED APPROXIMATELY AS SHOWN.
- △ REFERENCE APP SPEC 114-XXXX FOR GASKET THICKNESS CALCULATION.
- △ MATERIAL:
 CAGE ASSEMBLY: NICKEL SILVER, 0.25 THICK
 EMI SPRINGS: COPPER ALLOY
 FRONT FLANGE: ZINC ALLOY
- △ FINISH:
 EMI SPRINGS: 2µm MINIMUM TIN
 FRONT FLANGE: 3µm MINIMUM TIN OVER 1.27µm MINIMUM NICKEL OVER 5.08µm MINIMUM COPPER.



ISOMETRIC VIEW
 SCALE 5:2



DETAIL S
 SCALE 20:1

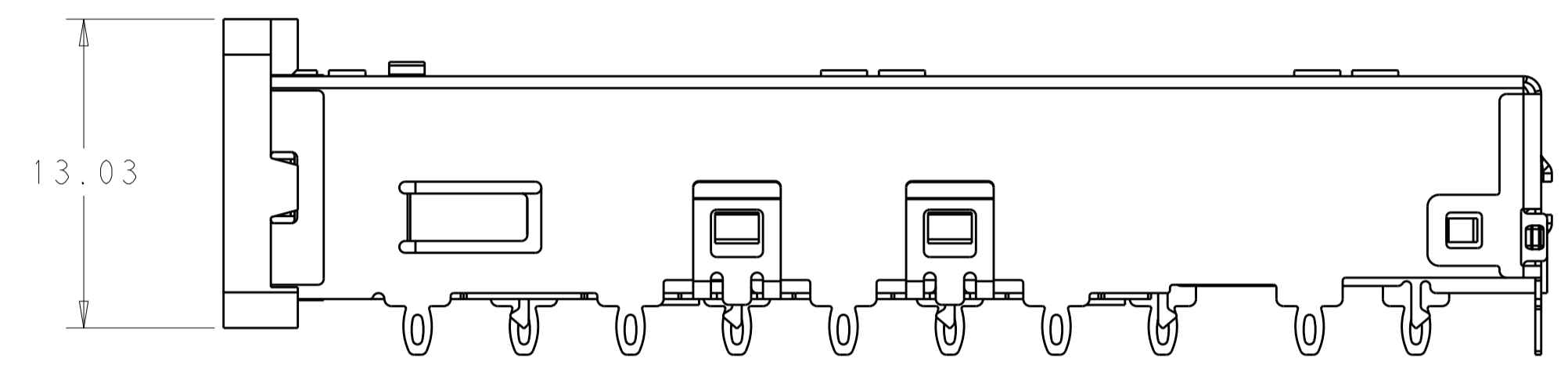


2227104-5
2227104-1
PART NUMBER

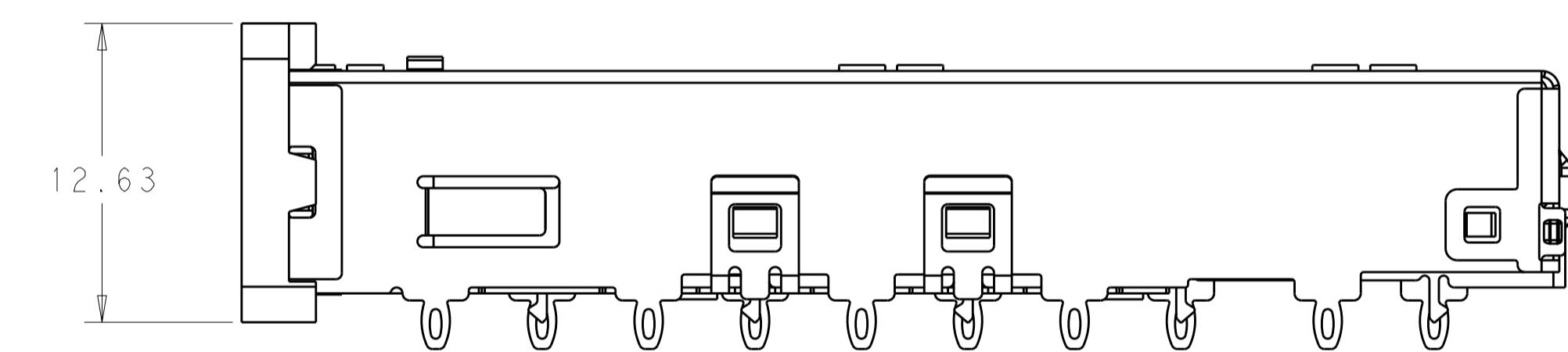
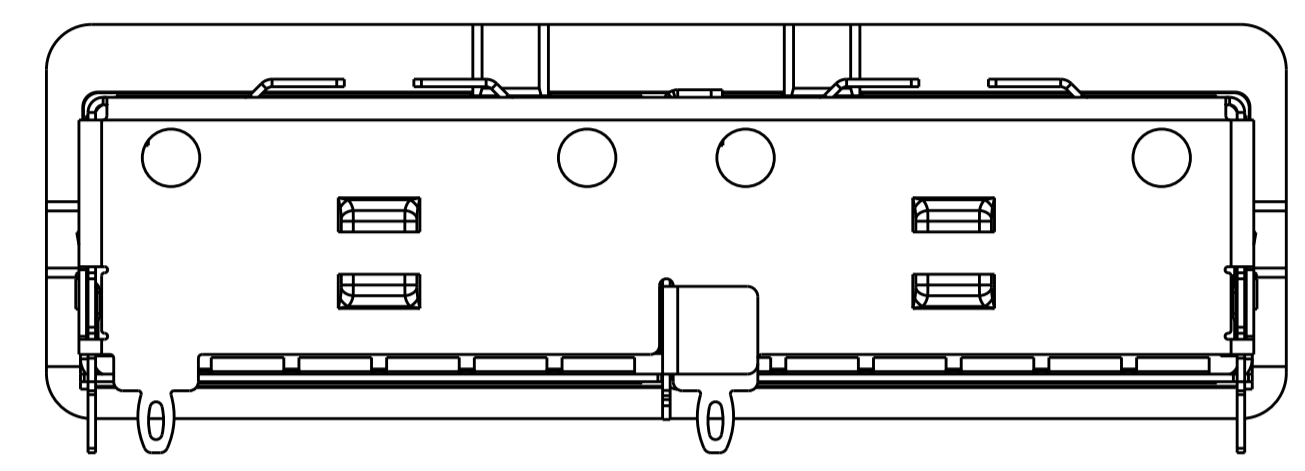
THIS DRAWING IS A CONTROLLED DOCUMENT. DIMENSIONING AND TOLERANCING PER ASME Y14.5M-2009.		DMN C. VALENTINE 22FEB2013	NAME 1X2 CAGE ASSEMBLY, BEHIND BEZEL, QSPF28
DIMENSIONS:		CHK E. BRIANT 22FEB2013	RESTRICTED TO
mm	0 PLC ±0.5 1 PLC ±0.5 2 PLC ±0.13 3 PLC ±0.013 4 PLC ±0.001	APVD E. BRIANT 22FEB2013	SIZE A1
TOLERANCES UNLESS OTHERWISE SPECIFIED:		PRODUCT SPEC 108-19428	SCALE 4:1
ANGLES ±0.0001		APPLICATION SPEC 114-32023	SHEET 1 OF 5
MATERIAL FINISH		WEIGHT	REV C
Customer Drawing		Customer Drawing	

THIS DRAWING IS UNPUBLISHED. RELEASED FOR PUBLICATION 20
 © COPYRIGHT 20 BY - ALL RIGHTS RESERVED.

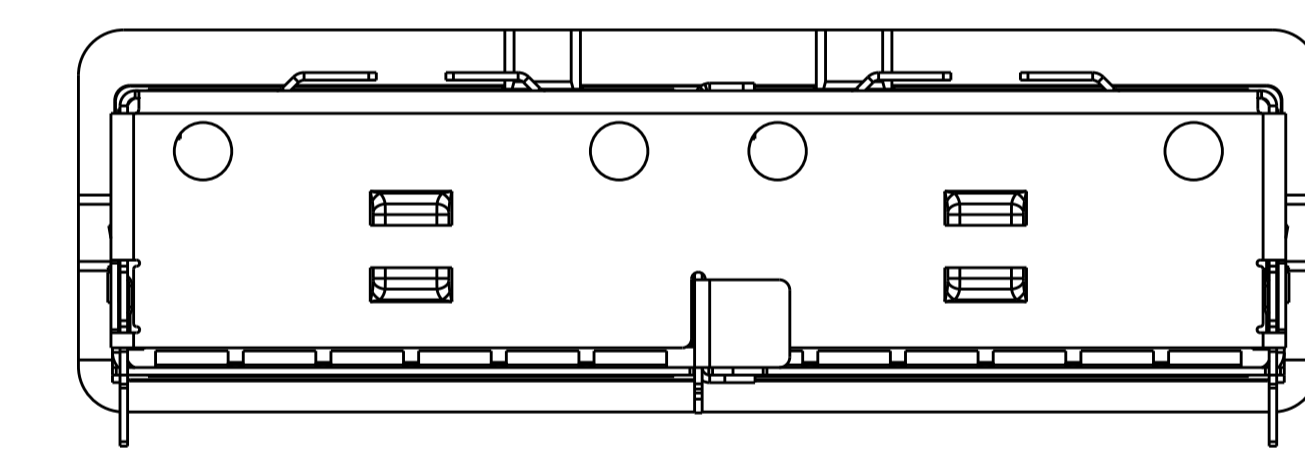
LOC		DIST		REVISIONS			
P	LTN	DESCRIPTION	DATE	DWN	APVD		




2227104-1
SCALE 4:1



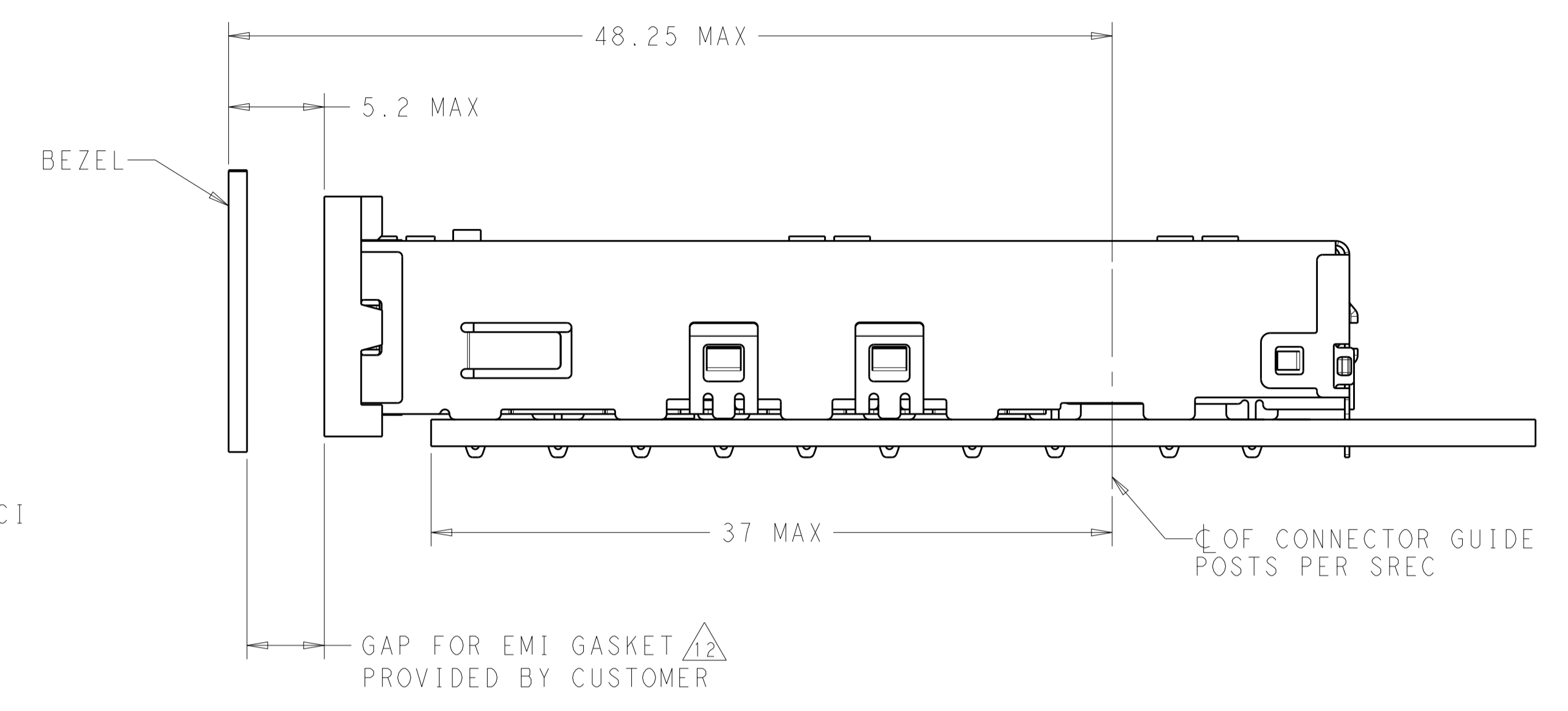
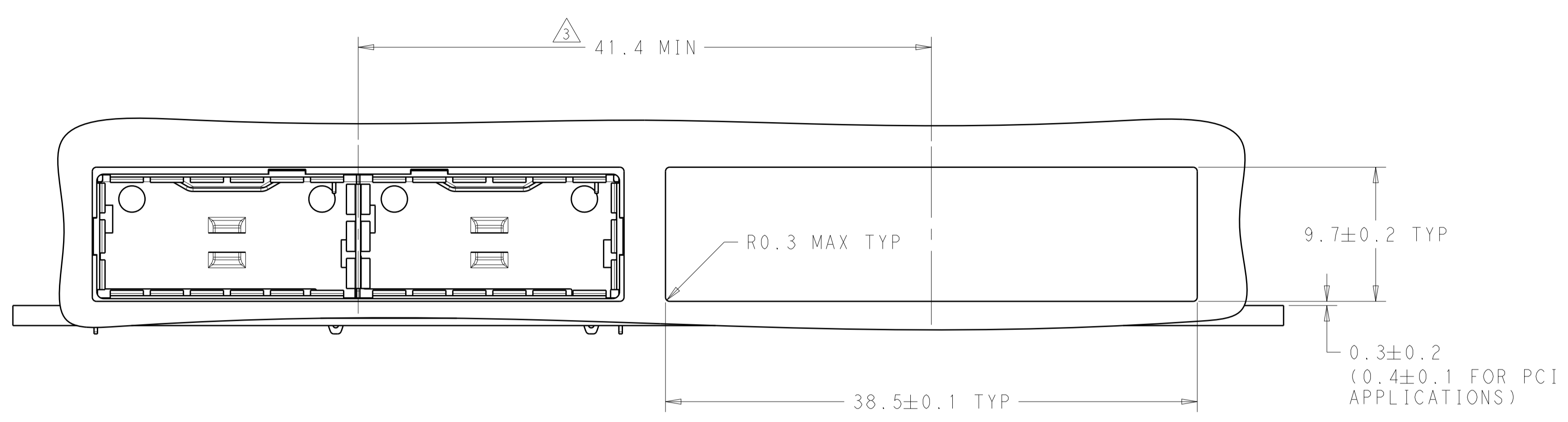
2227104-5
SCALE 4:1



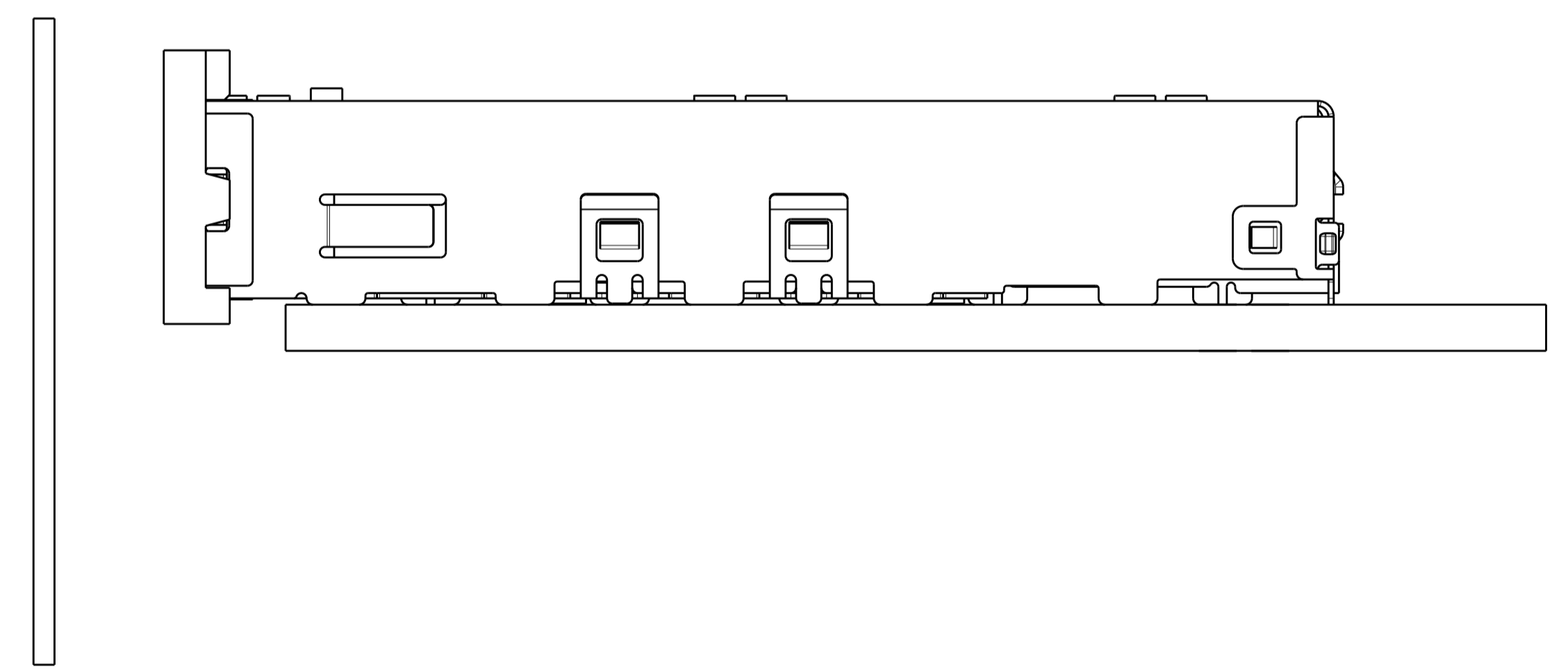
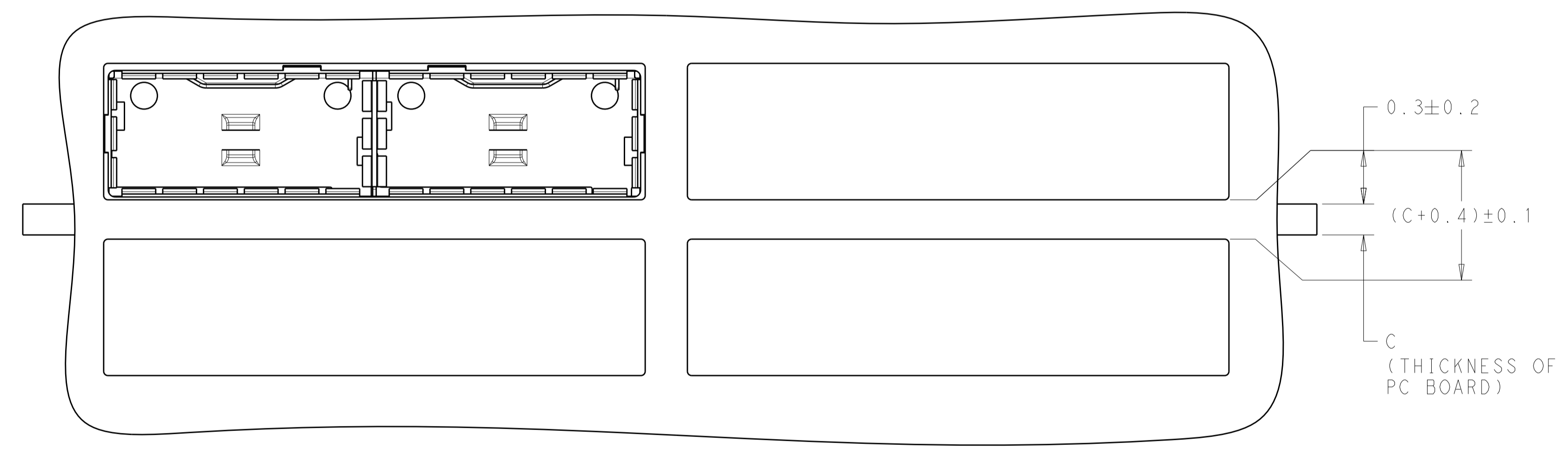
THIS DRAWING IS A CONTROLLED DOCUMENT. DIMENSIONING AND TOLERANCING PER ASME Y14.5M-2009		DWN C. VALENTINE 22FEB2013	 TE Connectivity
DIMENSIONS: mm		CHK E. BRIANT 22FEB2013	
TOLERANCES UNLESS OTHERWISE SPECIFIED:		APVD E. BRIANT 22FEB2013	NAME 1X2 CAGE ASSEMBLY, BEHIND BEZEL, QSFP28
0 PLC ±0.5	1 PLC ±0.5	PRODUCT SPEC 108-19428	SIZE A100779
2 PLC ±0.13	3 PLC ±0.013	APPLICATION SPEC 114-32023	CAGE CODE C=2227104
4 PLC ±0.0001	ANGLES ±0.0001	WEIGHT	RESTRICTED TO
MATERIAL	FINISH	Customer Drawing	SCALE 4:1 SHEET 2 OF 5 REV C

LOC	DIST	REV	DATE	BY	APPD
		1			

REV	DATE	DESCRIPTION	BY	APPD
1		SEE SHEET 1		



ONE-SIDED CONFIGURATION

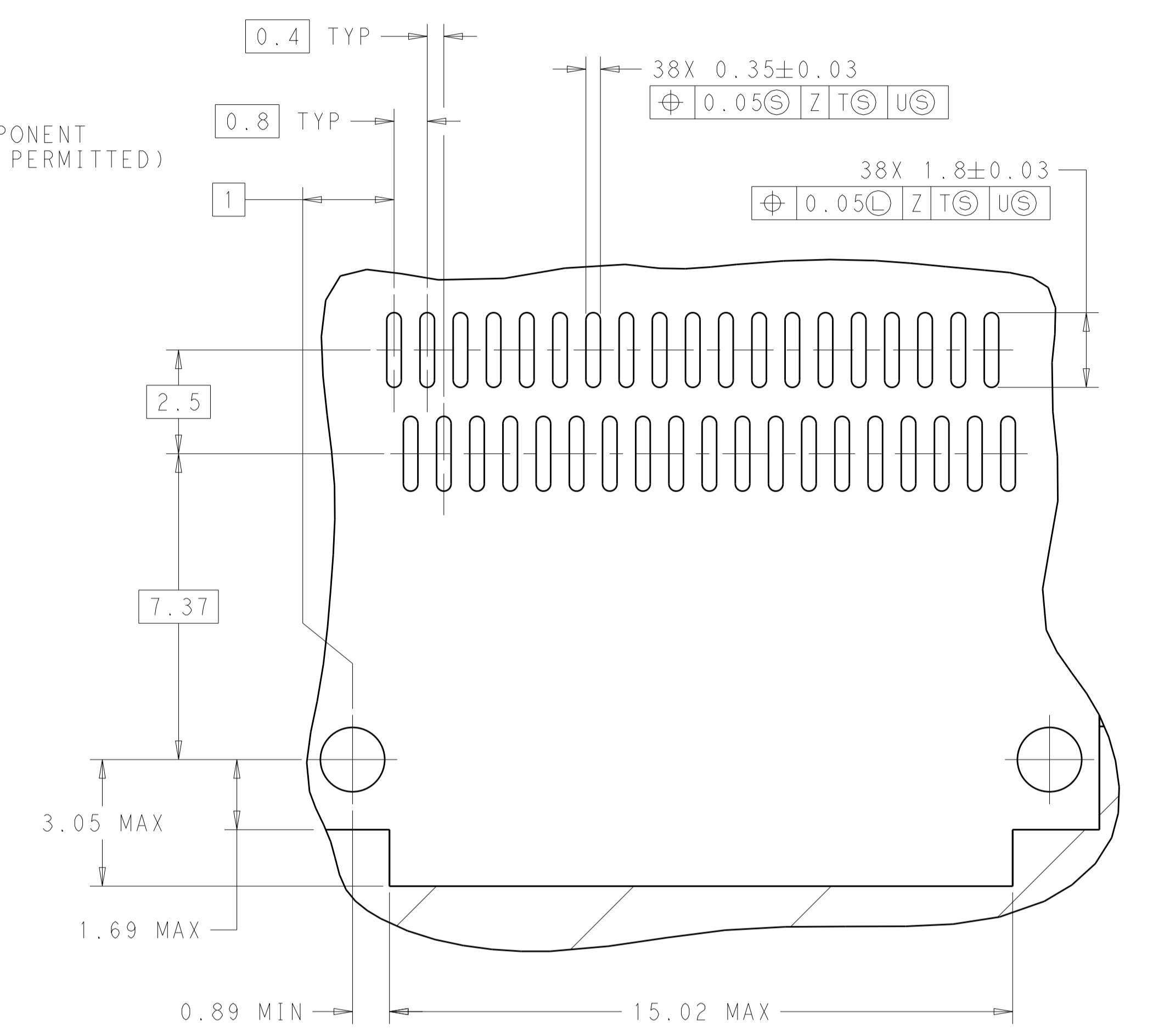
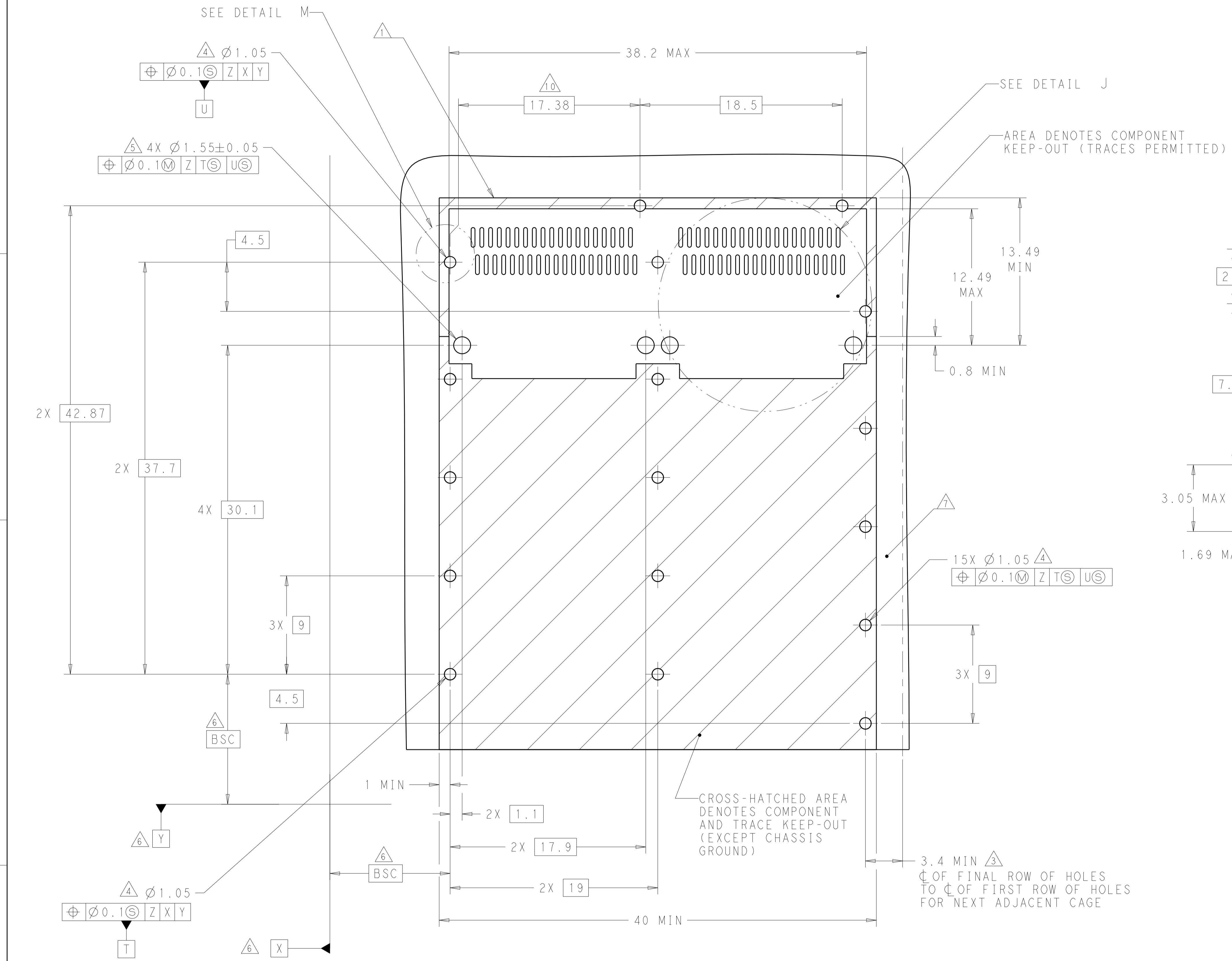


BELLY TO BELLY CONFIGURATION SIMILAR TO ONE SIDED EXCEPT WHERE NOTED

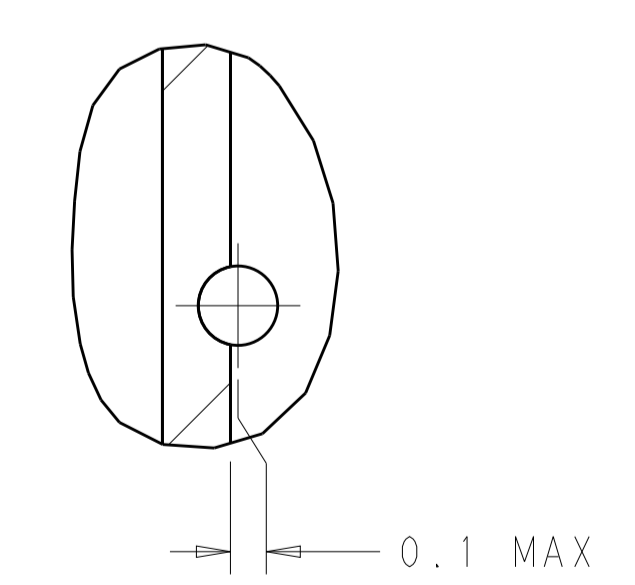
THIS DRAWING IS A CONTROLLED DOCUMENT. DIMENSIONING AND TOLERANCING PER ASME Y14.5M-2009.		DWN: C. VALENTINE 22FEB2013 CHK: E. BRIANT 22FEB2013 APVD: E. BRIANT 22FEB2013	STE TE Connectivity
DIMENSIONS: mm 	TOLERANCES UNLESS OTHERWISE SPECIFIED: 0 PLC ±0.5 1 PLC ±0.13 2 PLC ±0.13 3 PLC ±0.013 4 PLC ±0.001 ANGLES ±0.0001	NAME: 1X2 CAGE ASSEMBLY, BEHIND BEZEL, QSP28 PRODUCT SPEC: 108-19428 APPLICATION SPEC: 114-32023 WEIGHT: -	SIZE: A1 CAGE CODE: 00779 DRAWING NO: C=2227104 RESTRICTED TO: -
MATERIAL: - FINISH: -		CUSTOMER DRAWING	SCALE: 4:1 SHEET: 3 OF 5 REV: C

LOC	DIST	REV	DATE	BY	APPV
		1			

REVISIONS		DATE	BY	APPV
1	SEE SHEET 1			



DETAIL J
2 PLACES
SCALE 10:1



DETAIL M
SCALE 10:1

RECOMMENDED PC BOARD LAYOUT
SINGLE SIDE MOUNT CONFIGURATION
SCALE 5:1

THIS DRAWING IS A CONTROLLED DOCUMENT. DIMENSIONING AND TOLERANCING PER ASME Y14.5M-2009.		DWN: C. VALENTINE 22FEB2013 CHK: E. BRIANT 22FEB2013 APVD: E. BRIANT 22FEB2013	NAME: 1X2 CAGE ASSEMBLY, BEHIND BEZEL, QSPF28 PRODUCT SPEC: 108-19428 APPLICATION SPEC: 114-32023 WEIGHT: - Customer Drawing	SIZE: A1 CAGE CODE: 00779 DRAWING NO: C=2227104	RESTRICTED TO: - SCALE: 4:1 SHEET: 4 OF 5 REV: C
---	--	--	--	---	---

