



Chipsmall Limited consists of a professional team with an average of over 10 year of expertise in the distribution of electronic components. Based in Hongkong, we have already established firm and mutual-benefit business relationships with customers from,Europe,America and south Asia,supplying obsolete and hard-to-find components to meet their specific needs.

With the principle of “Quality Parts,Customers Priority,Honest Operation,and Considerate Service”,our business mainly focus on the distribution of electronic components. Line cards we deal with include Microchip,ALPS,ROHM,Xilinx,Pulse,ON,Everlight and Freescale. Main products comprise IC,Modules,Potentiometer,IC Socket,Relay,Connector.Our parts cover such applications as commercial,industrial, and automotives areas.

We are looking forward to setting up business relationship with you and hope to provide you with the best service and solution. Let us make a better world for our industry!



Contact us

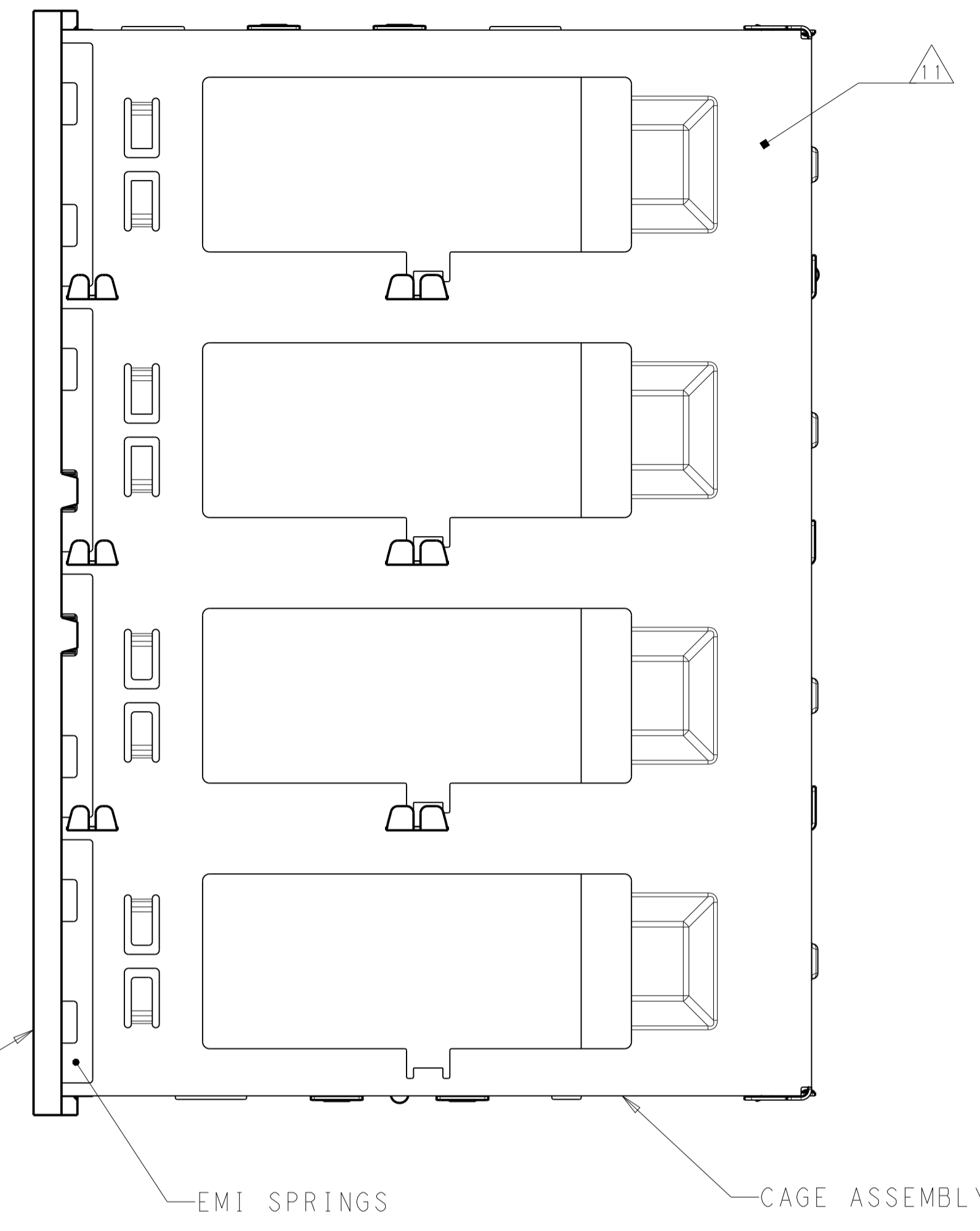
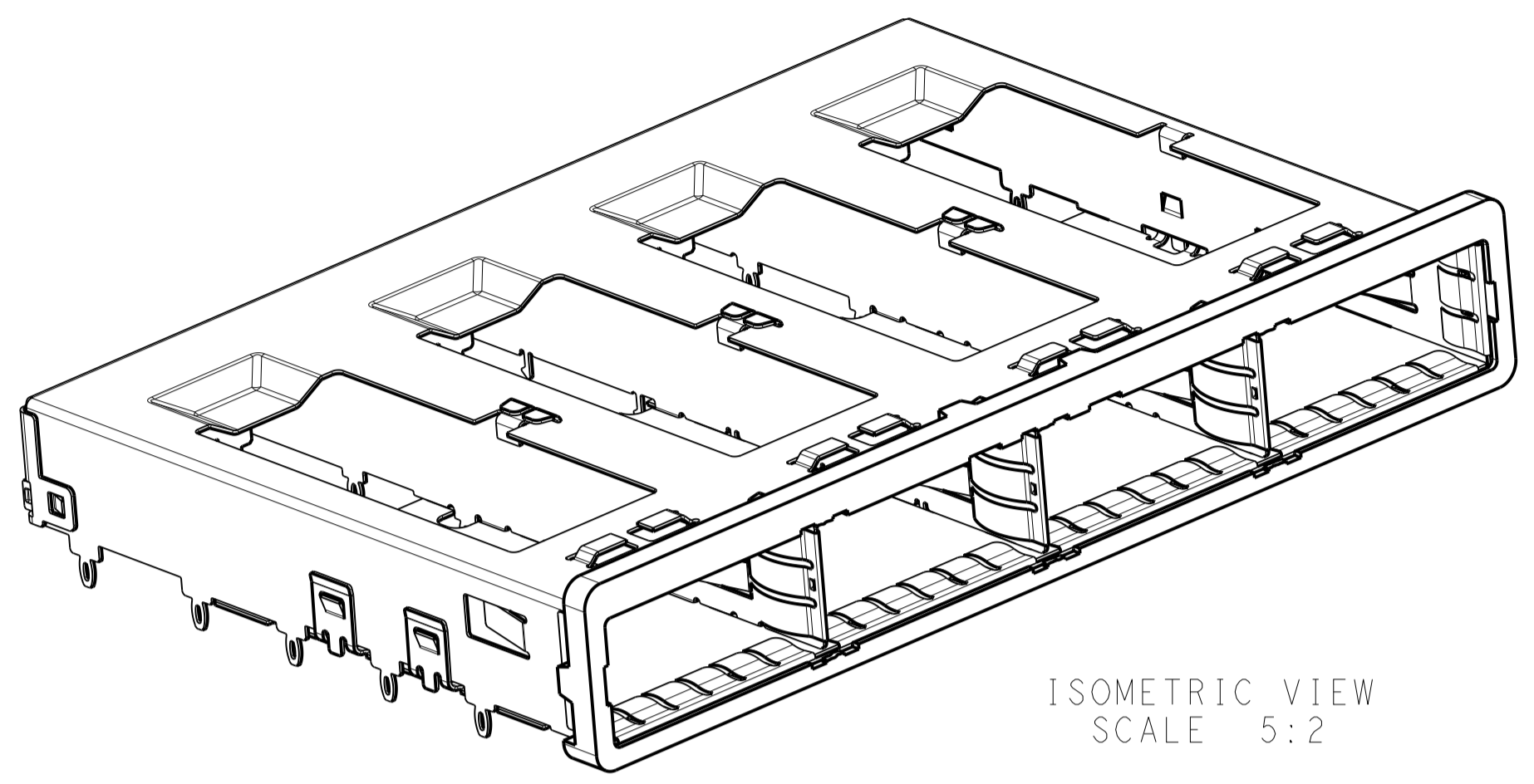
Tel: +86-755-8981 8866 Fax: +86-755-8427 6832

Email & Skype: info@chipsmall.com Web: www.chipsmall.com

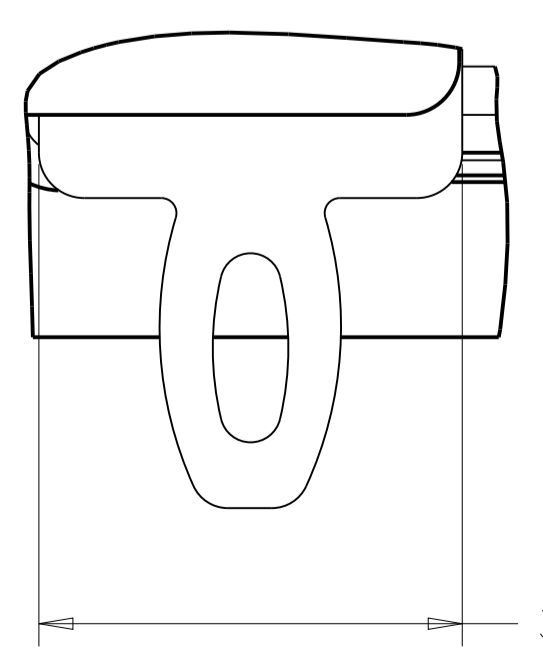
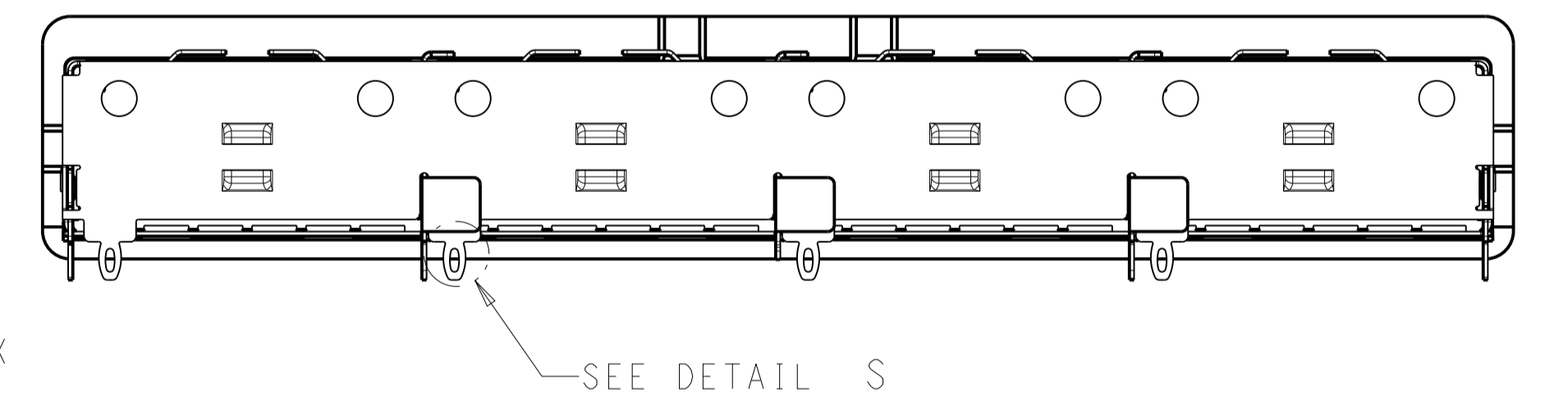
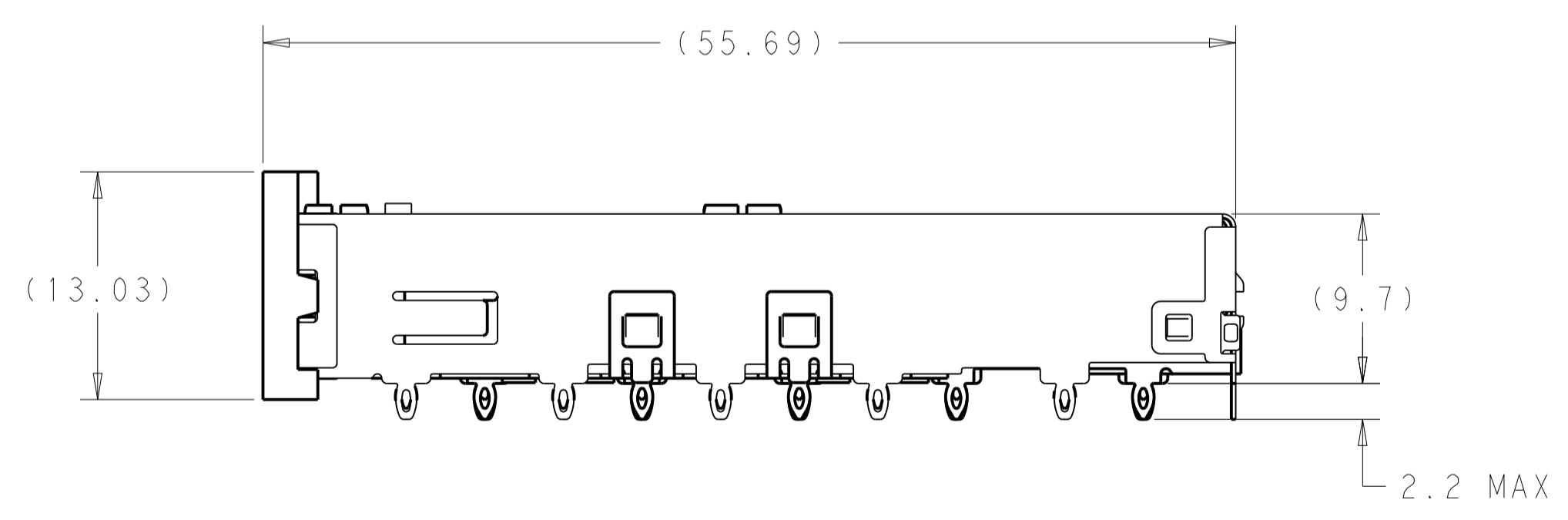
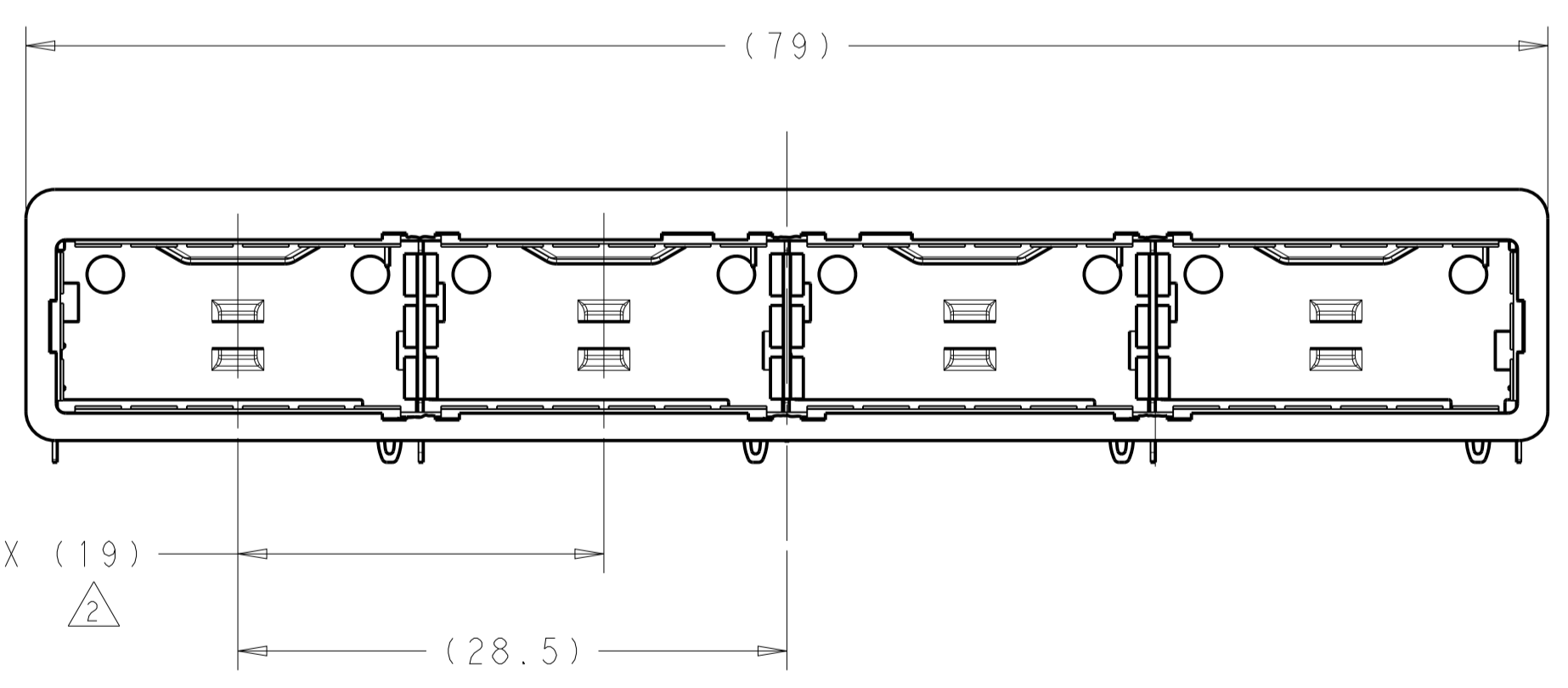
Address: A1208, Overseas Decoration Building, #122 Zhenhua RD., Futian, Shenzhen, China



REVISIONS					
P.	LTN	DESCRIPTION	DATE	DMN	APVD
A		RELEASED	21MAY2014	CJV	EDB



- 1 SURFACE TRACES PERMITTED WITHIN THIS AREA EXCEPT WHERE CAGE STANDOFFS, SHOWN IN DETAIL S, CONTACT PC BOARD.
- 2 PITCH BETWEEN PORTS OF ONE 1X4 CAGE ASSEMBLY.
- 3 SPACING BETWEEN CAGES ON THE SAME PC BOARD, TO BE SPECIFIED BY CUSTOMER, MUST COMPLY WITH MINIMUM DIMENSIONS SHOWN.
- 4 REFERENCE APPLICATION SPEC 114-32023 FOR RECOMMENDED DRILL HOLE DIAMETER AND PLATING THICKNESS.
- 5 UNPLATED THRU HOLE.
- 6 DATUMS AND BASIC DIMENSIONS ESTABLISHED BY CUSTOMER.
- 7 DATUM A IS TOP SURFACE OF PC BOARD.
- 8 DIMENSION C IS THE NOMINAL THICKNESS OF CUSTOMER SUPPLIED PC BOARD.
MINIMUM PC BOARD THICKNESS:
SINGLE SIDED = 1.45mm
DOUBLE SIDED = 2.2mm
- 9 MATES WITH QSFP MSA COMPATIBLE TRANSCEIVER.
- 10 BASELINE FOR THESE DIMENSIONS IS THE CENTER OF COMPLIANT PIN HOLE.
- 11 DATE CODE (YYWWD) MARKED APPROXIMATELY AS SHOWN.
- 12 REFERENCE APP SPEC 114-32023 FOR GASKET THICKNESS CALCULATION.
- 13 MATERIAL:
CAGE ASSEMBLY: NICKEL SILVER, 0.25 THICK
EMI SPRINGS: COPPER ALLOY
FRONT FLANGE: ZINC ALLOY
- 14 FINISH:
EMI SPRINGS: 2µm MINIMUM TIN
FRONT FLANGE: 3µm MINIMUM TIN OVER 1.27µm MINIMUM NICKEL OVER 5.08µm MINIMUM COPPER.

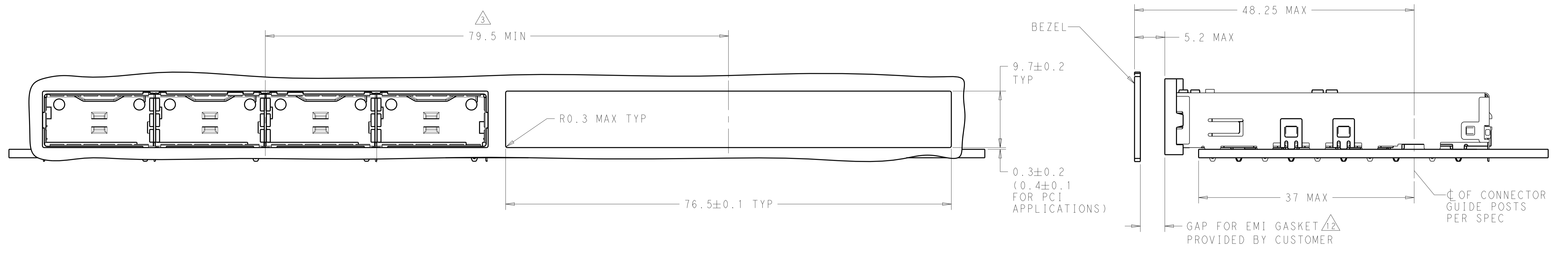


DETAIL S
SCALE 20:1

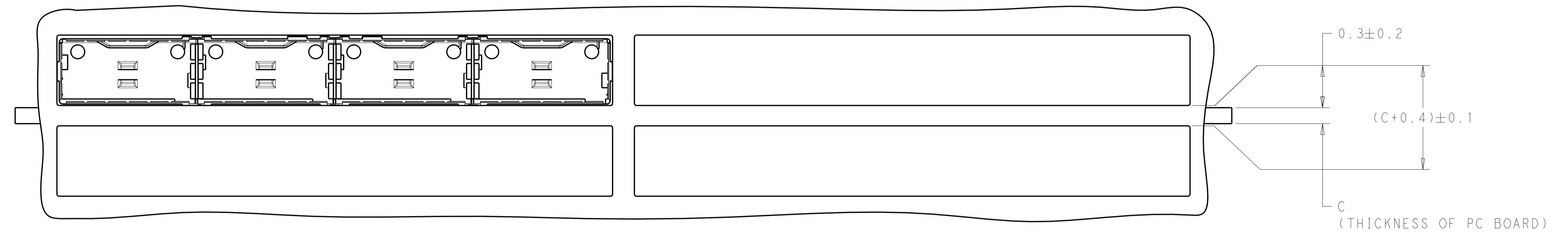
2227250-1
PART NUMBER

THIS DRAWING IS A CONTROLLED DOCUMENT.		DMN C. VALENTIN 20MAY2014	TE Connectivity	
DIMENSIONS:		CHK E. BRIANT 20MAY2014	NAME CAGE ASSEMBLY, BEHIND BEZEL, 1X4, QSFP28	
TOLERANCES UNLESS OTHERWISE SPECIFIED:		APVD E. BRIANT 20MAY2014	RESTRICTED TO	
mm	0 PLC ±0.1 1 PLC ±0.1 2 PLC ±0.1 3 PLC ±0.1 4 PLC ±0.1 ANGLES ±0.1	PRODUCT SPEC 108-19428	SIZE A1	SCALE 3:1
MATERIAL	FINISH	APPLICATION SPEC 114-32023	CAGE CODE C=2227250	SHEET 1 OF 4
CUSTOMER DRAWING		WEIGHT	REV A	

REVISIONS				
P.	LTN	DESCRIPTION	DATE	OWN APVD
-	-	SEE SHEET 1	-	-



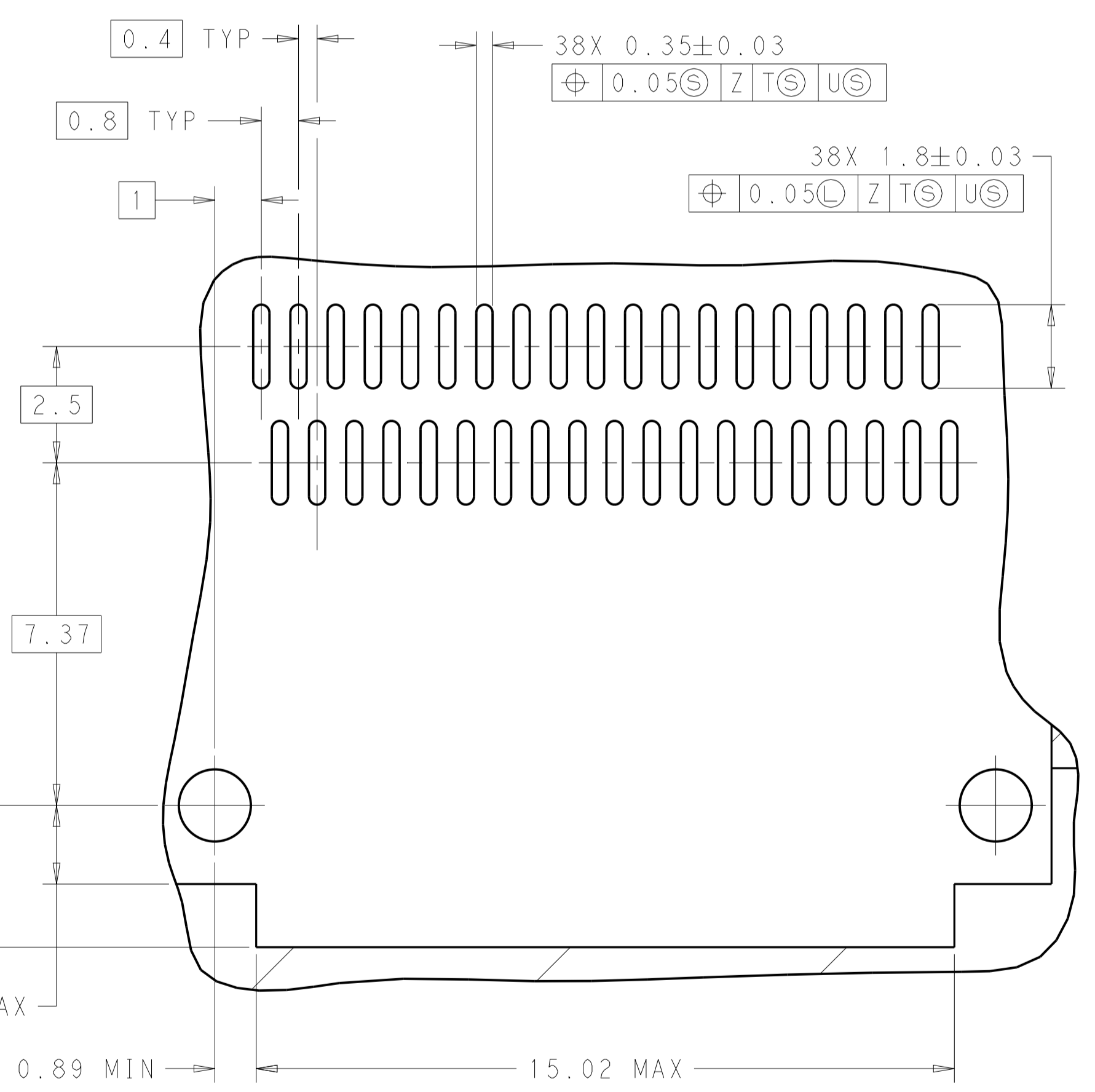
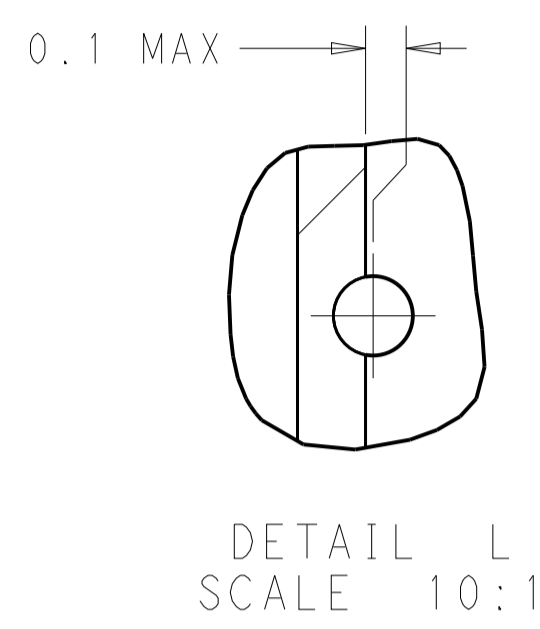
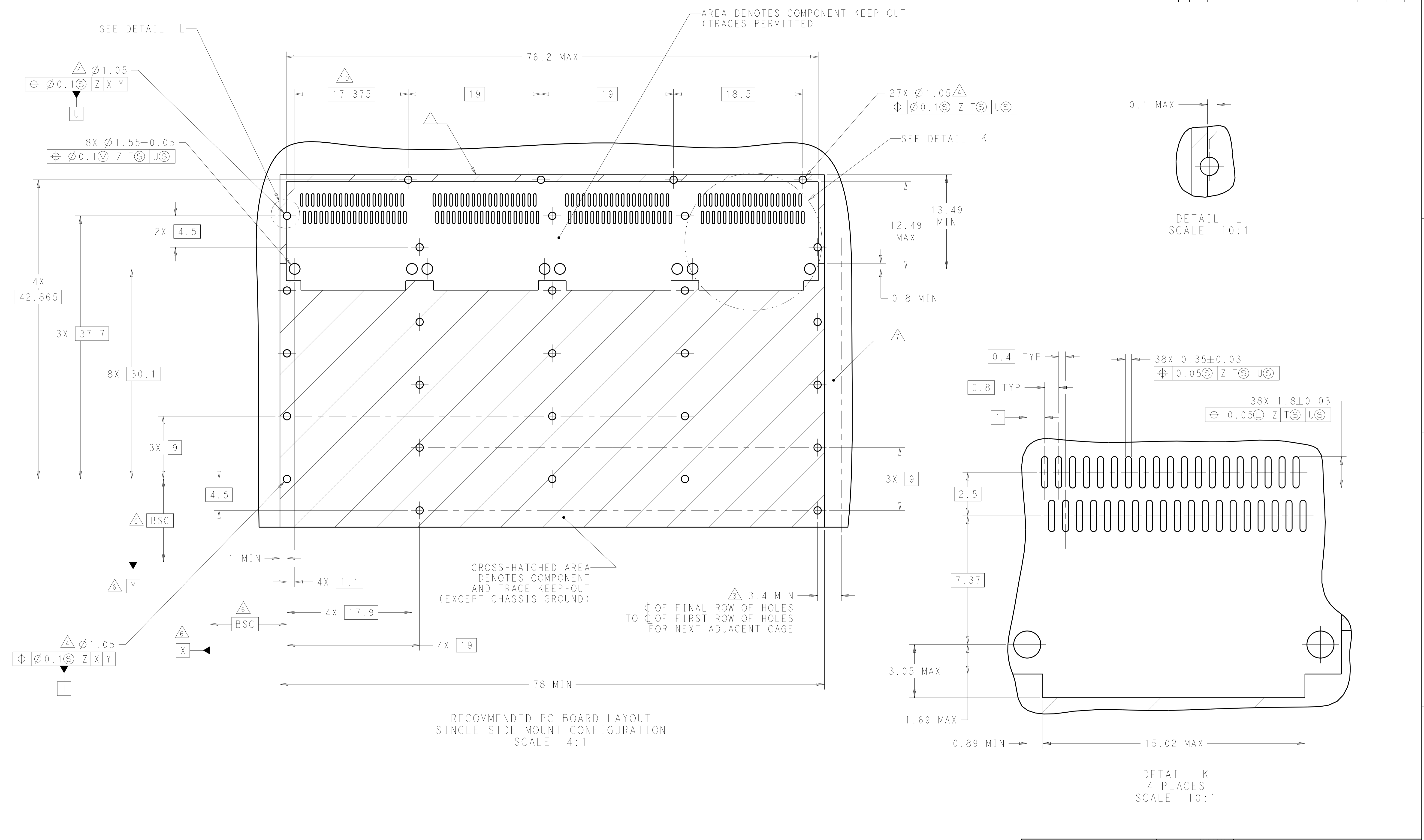
ONE SIDED CONFIGURATION



BELLY TO BELLY CONFIGURATION
 SIMILAR TO NOE SIDED
 EXCEPT WHERE NOTED

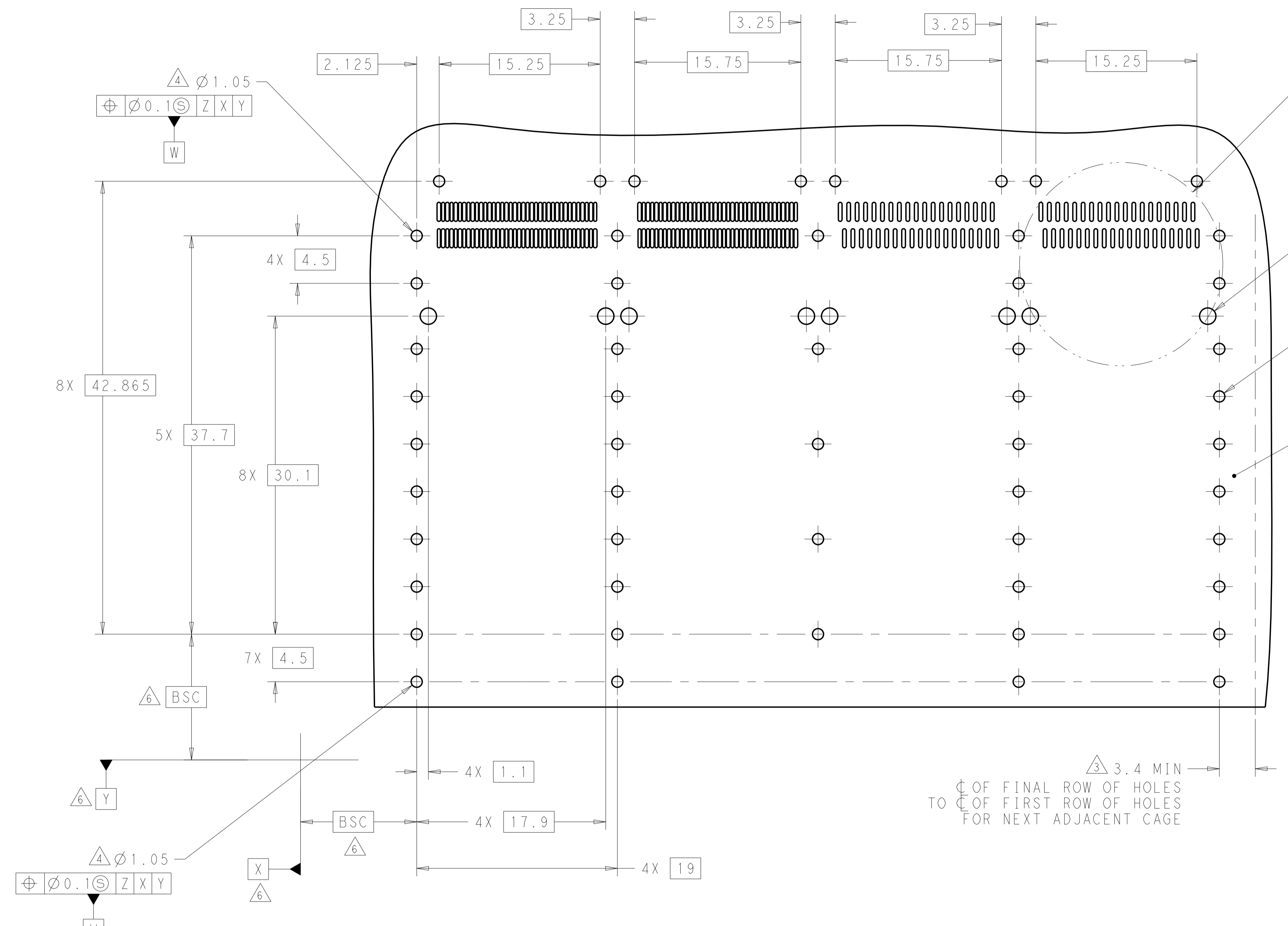
THIS DRAWING IS A CONTROLLED DOCUMENT.		OWN C. VALENTIN 20MAY2014	TE Connectivity
DIMENSIONS:		CHK E. BRIANT 20MAY2014	
mm	TOLERANCES UNLESS OTHERWISE SPECIFIED:	APVD E. BRIANT 20MAY2014	NAME CAGE ASSEMBLY, BEHIND BEZEL, 1X4, QSFP28
	0 PLC ±0.1 1 PLC ±0.1 2 PLC ±0.1 3 PLC ±0.1 4 PLC ±0.1 ANGLES ±0.1	PRODUCT SPEC 108-19428	SIZE A1
MATERIAL	FINISH	APPLICATION SPEC 114-32023	RESTRICTED TO
CUSTOMER DRAWING		WEIGHT	SCALE 3:1 SHEET 2 OF 4 REV A

REVISIONS				
P.	LTN.	DESCRIPTION	DATE	APPD.
-	-	SEE SHEET 1	-	-

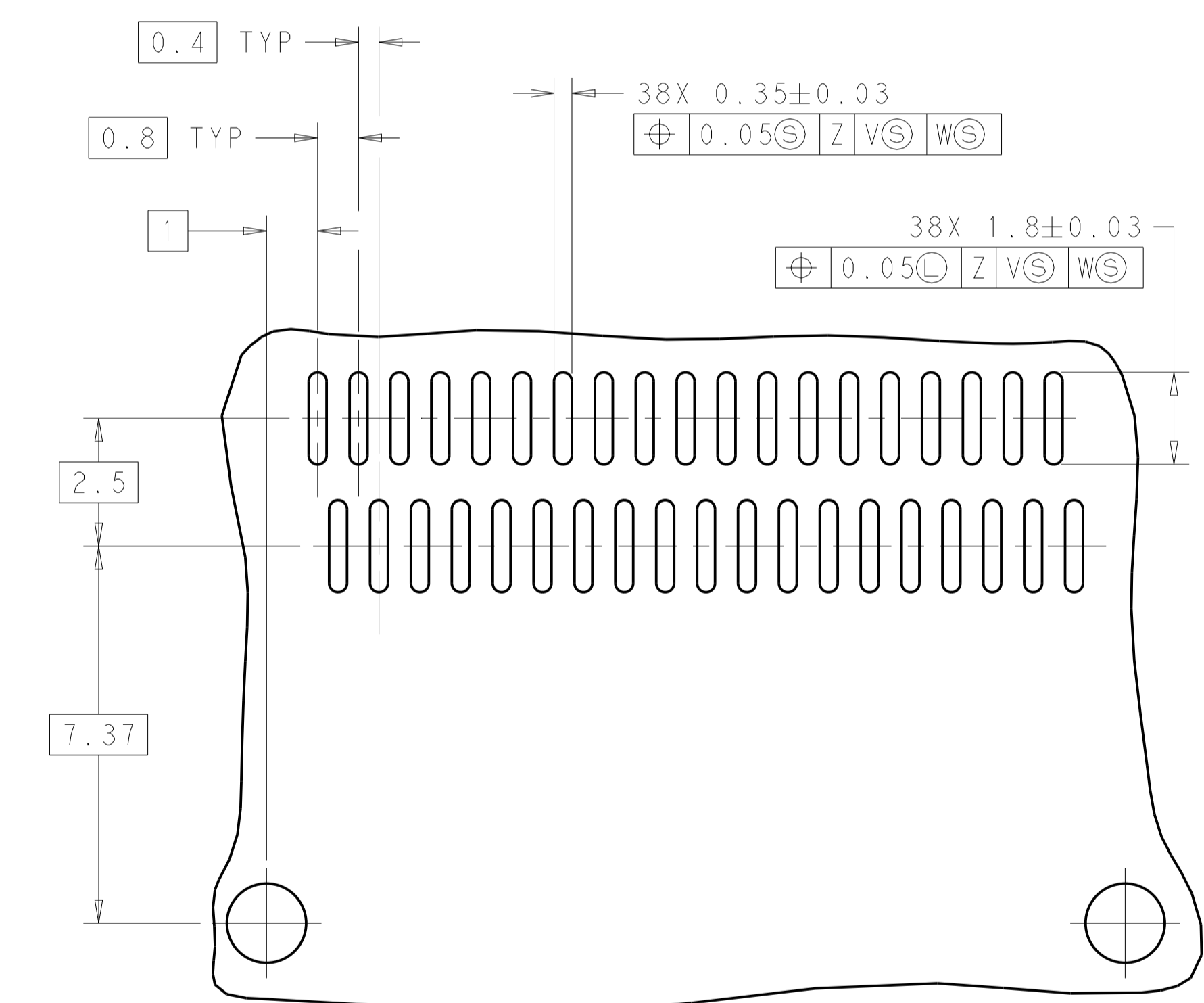


THIS DRAWING IS A CONTROLLED DOCUMENT.		OWN: C. VALENTIN 20MAY2014	TE Connectivity
DIMENSIONS: mm		CHK: E. BRIANT 20MAY2014	
TOLERANCES UNLESS OTHERWISE SPECIFIED:		APPD: E. BRIANT 20MAY2014	NAME: CAGE ASSEMBLY, BEHIND BEZEL, 1X4, QSFP28
0 PLC	±0.1	PRODUCT SPEC	SIZE: A1
1 PLC	±0.1	108-19428	CAGE CODE: -
2 PLC	±0.1	APPLICATION SPEC	DRAWING NO: C=2227250
3 PLC	±0.1	114-32023	RESTRICTED TO: -
4 PLC	±0.1	WEIGHT: -	SCALE: 3:1
ANGLES	±0.1	CUSTOMER DRAWING	SHEET 3 OF 4
MATERIAL:	FINISH:		REV: A

REVISIONS				
REV	DATE	DESCRIPTION	BY	APPD
-	-	SEE SHEET 1	-	-



RECOMMENDED PC BOARD LAYOUT
 BELLY TO BELLY CONFIGURATION
 SCALE 4:1



DETAIL M
 4 PLACES
 SCALE 10:1

THIS DRAWING IS A CONTROLLED DOCUMENT.		OWN: C. VALENTIN, 20MAY2014	TE Connectivity
DIMENSIONS: mm		CHK: E. BRIANT, 20MAY2014	
TOLERANCES UNLESS OTHERWISE SPECIFIED:		APVD: E. BRIANT, 20MAY2014	NAME: CAGE ASSEMBLY, BEHIND BEZEL, 1X4, QSFP28
0 PLC ± 0.1	1 PLC ± 0.1	PRODUCT SPEC: 108-19428	RESTRICTED TO: -
2 PLC ± 0.1	3 PLC ± 0.1	APPLICATION SPEC: 114-32023	SIZE: A1
4 PLC ± 0.1	ANGLES ± 0.1	WEIGHT: -	SCALE: 3:1
MATERIAL: -	FINISH: -	CUSTOMER DRAWING	SHEET 4 OF 4
			REV: A