



Chipsmall Limited consists of a professional team with an average of over 10 year of expertise in the distribution of electronic components. Based in Hongkong, we have already established firm and mutual-benefit business relationships with customers from,Europe,America and south Asia,supplying obsolete and hard-to-find components to meet their specific needs.

With the principle of “Quality Parts,Customers Priority,Honest Operation,and Considerate Service”,our business mainly focus on the distribution of electronic components. Line cards we deal with include Microchip,ALPS,ROHM,Xilinx,Pulse,ON,Everlight and Freescale. Main products comprise IC,Modules,Potentiometer,IC Socket,Relay,Connector.Our parts cover such applications as commercial,industrial, and automotives areas.

We are looking forward to setting up business relationship with you and hope to provide you with the best service and solution. Let us make a better world for our industry!



## Contact us

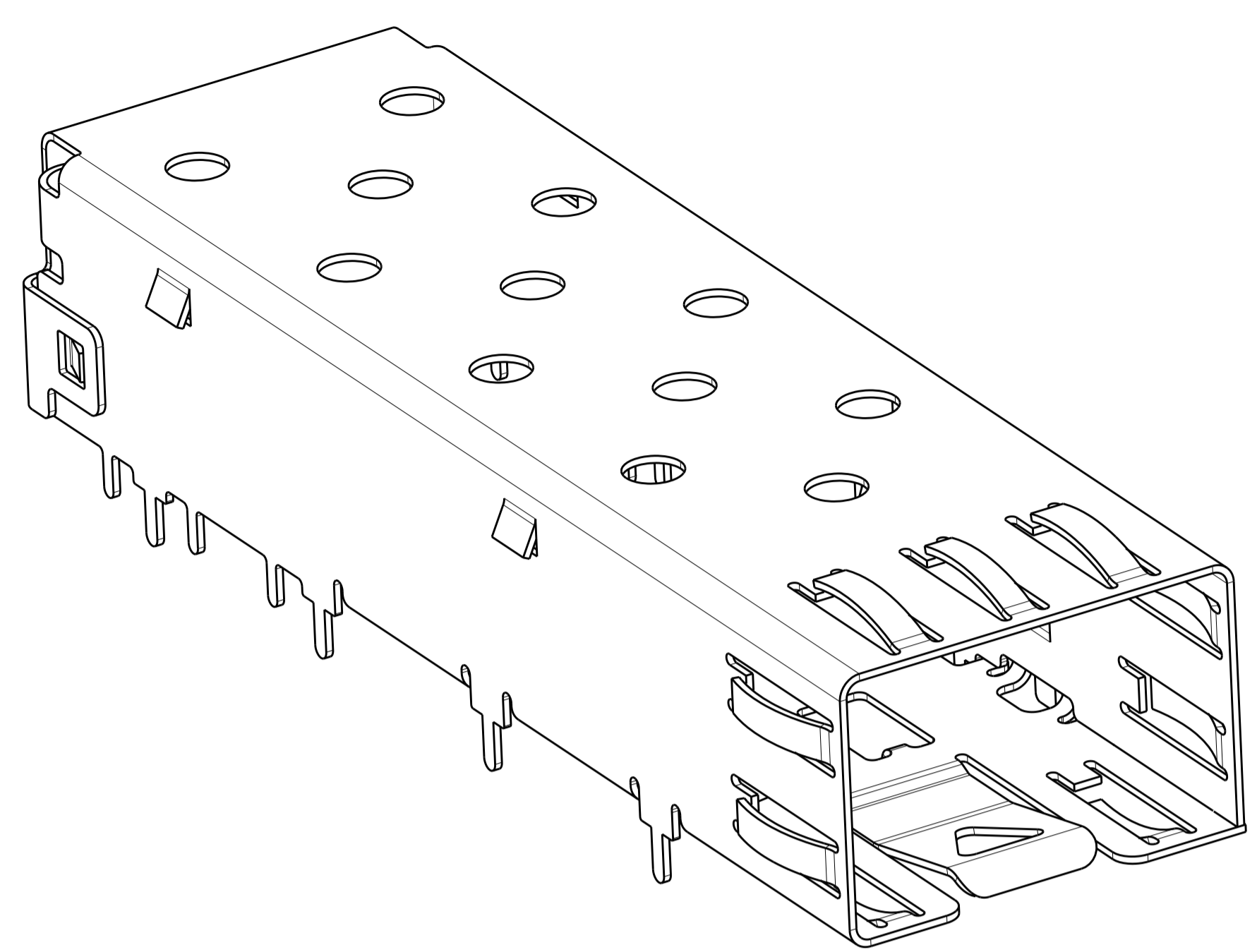
Tel: +86-755-8981 8866 Fax: +86-755-8427 6832

Email & Skype: info@chipsmall.com Web: www.chipsmall.com

Address: A1208, Overseas Decoration Building, #122 Zhenhua RD., Futian, Shenzhen, China

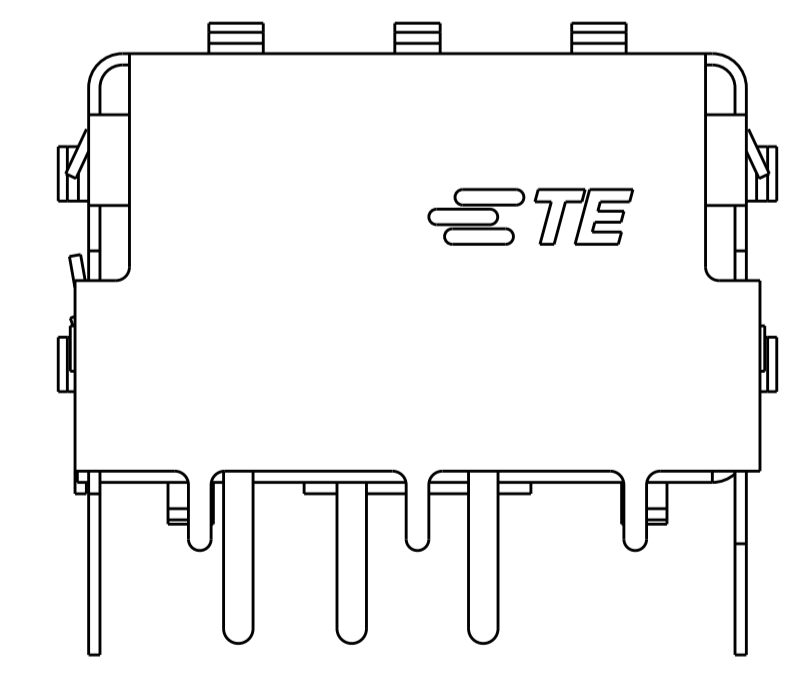
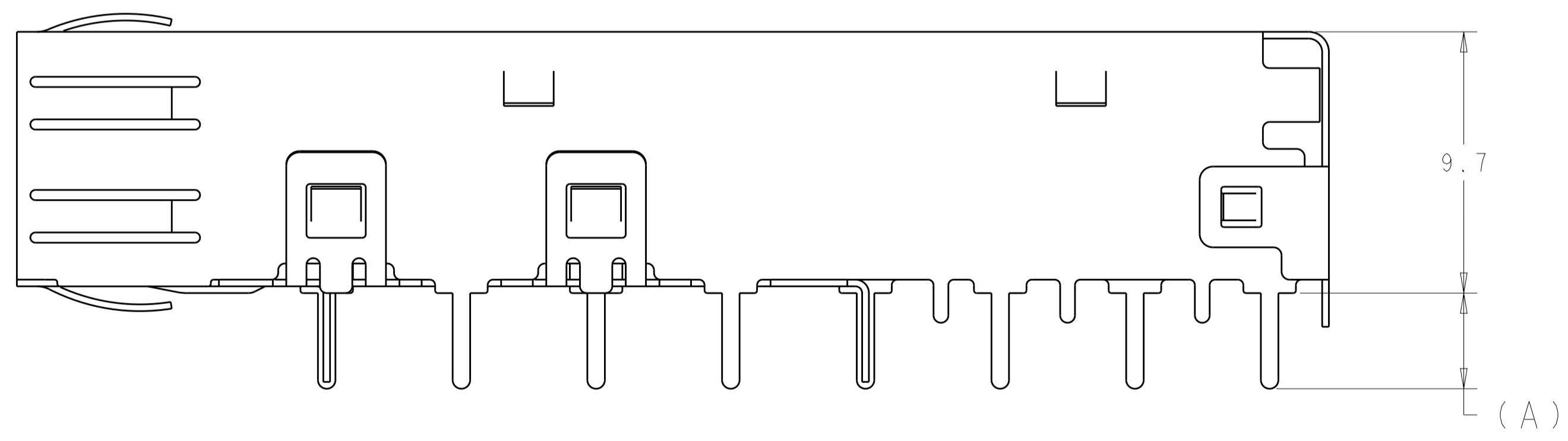
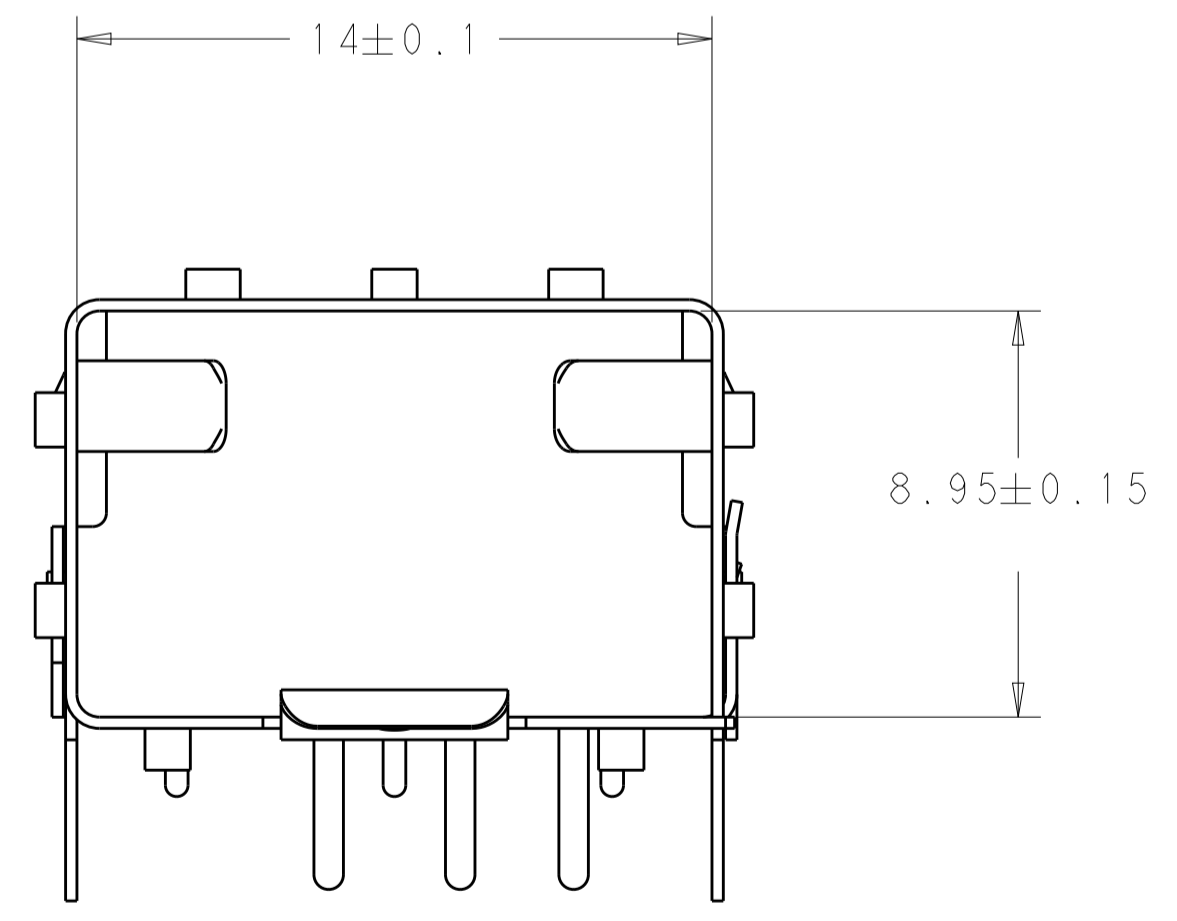
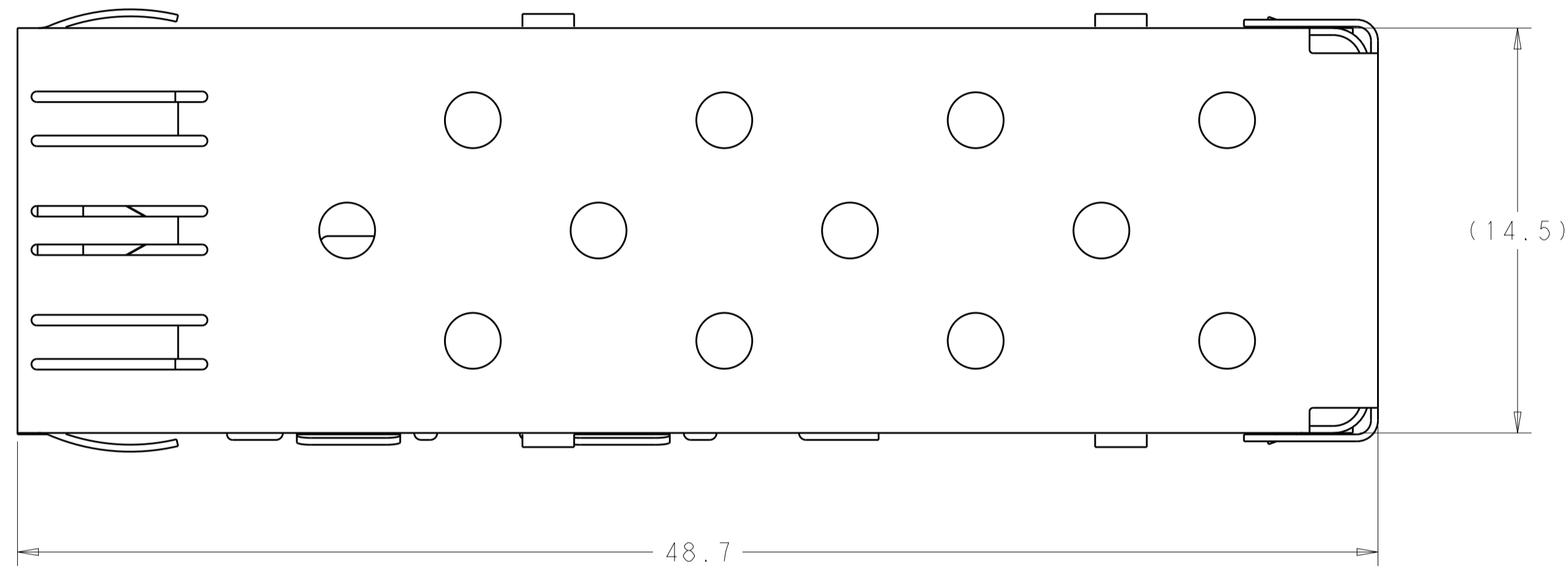


LOC	DIST	REVISIONS					
GP	00	P	LTN	DESCRIPTION	DATE	DWN	APVD
		A		INITIAL RELEASE	21MAY2014	CW	SH
		A1		ECR-14-015540	10OCT2014	CW	SH
		A2		ECR-14-018430		CW	SH



ISOMETRIC VIEW  
SCALE 6:1

- △ MATERIAL: 0.25mm THICK STAINLESS STEEL.
- △ FINISH: 0.00125mm Min. NICKEL OVER ALL , 0.002mm Min. TIN DIPPED ON SOLDER TABS, NON PLATED EDGES PERMISSIBLE.
- 3. MATES WITH SFP MSA COMPLIANT TRANSCEIVERS.
- △ PADS AND VIAS CHASSIS GROUND.
- △ DATUM AND BASIC DIMENSION ESTABLISHED BY CUSTOMER.
- 6. MINIMUM PC BOARD THICKNESS:  
SINGLE SIDED = 1.50 mm
- △ REFERENCE APPLICATION SPEC. 114-13120, HOLE A, FOR RECOMMENDED DRILL HOLE DIAMETER AND PLATING THICKNESS.
- △ REFERENCE APPLICATION SPEC. 114-13120, HOLE C, FOR RECOMMENDED DRILL HOLE DIAMETER AND PLATING THICKNESS.
- △ ESD PROTECTION PACKAGE.



△ REEL	1.80	1-2227303-2
TRAY	1.80	2227303-3
REEL	1.80	2227303-2
TRAY	3.55	2227303-1
PACKAGING	A	PART NUMBER

THIS DRAWING IS A CONTROLLED DOCUMENT. DIMENSIONING AND TOLERANCING PER ASME Y14.5M-2009.		DWN C. VALENTINE 19OCT2012	19OCT2012
DIMENSIONS: mm		CHK M. SCHMITT 19OCT2012	19OCT2012
TOLERANCES UNLESS OTHERWISE SPECIFIED:		APVD M. SCHMITT 19OCT2012	19OCT2012
0 PLC	±0.1	PRODUCT SPEC	
1 PLC	±0.1	108-1950	
2 PLC	±0.1	APPLICATION SPEC	
3 PLC	±0.1	114-13120	
4 PLC	±0.1	WEIGHT	
ANGLES	±°	Customer Drawing	
MATERIAL		SCALE	6:1
		SHEET	1 OF 3
		REV	A2

**STE** TE Connectivity

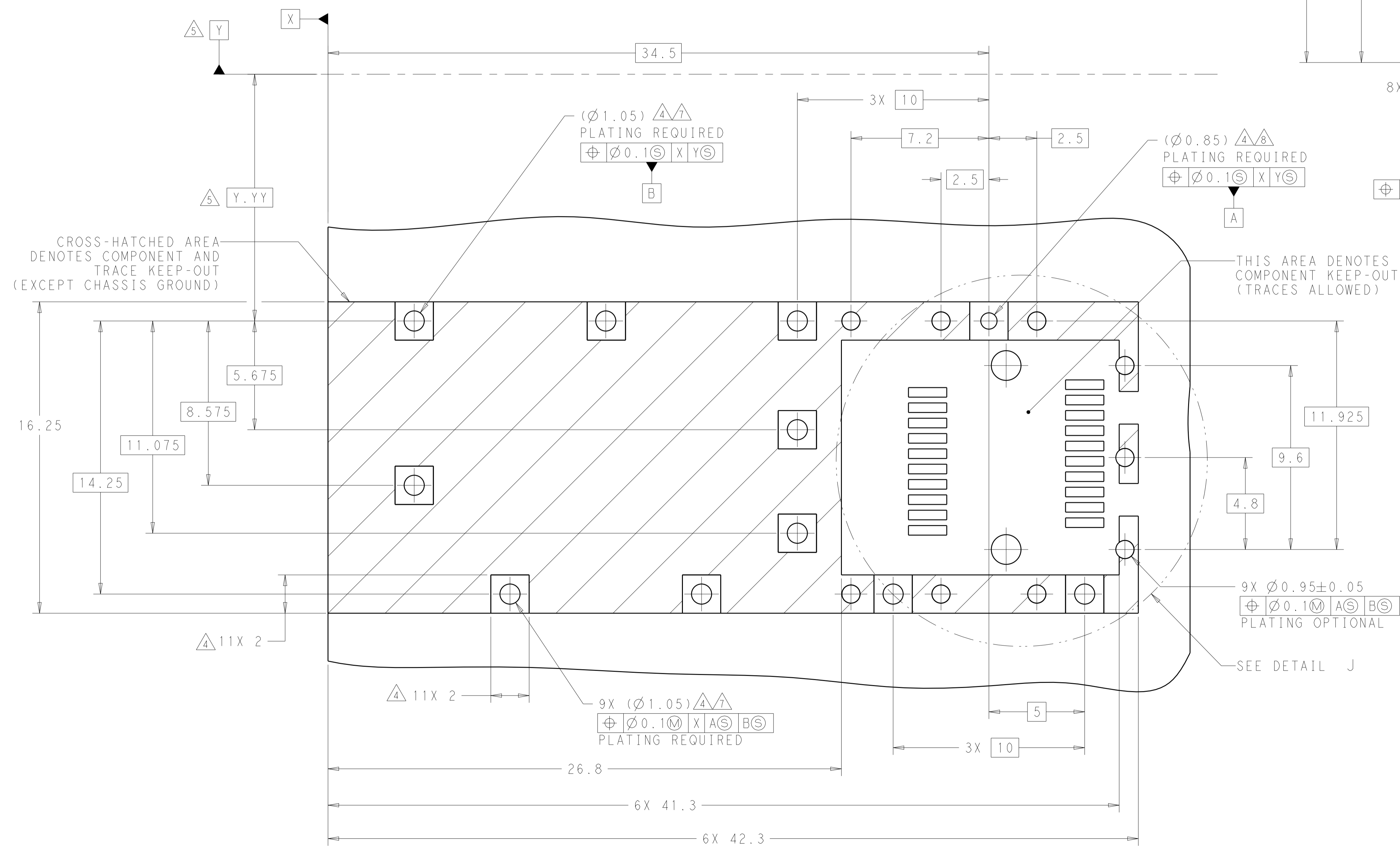
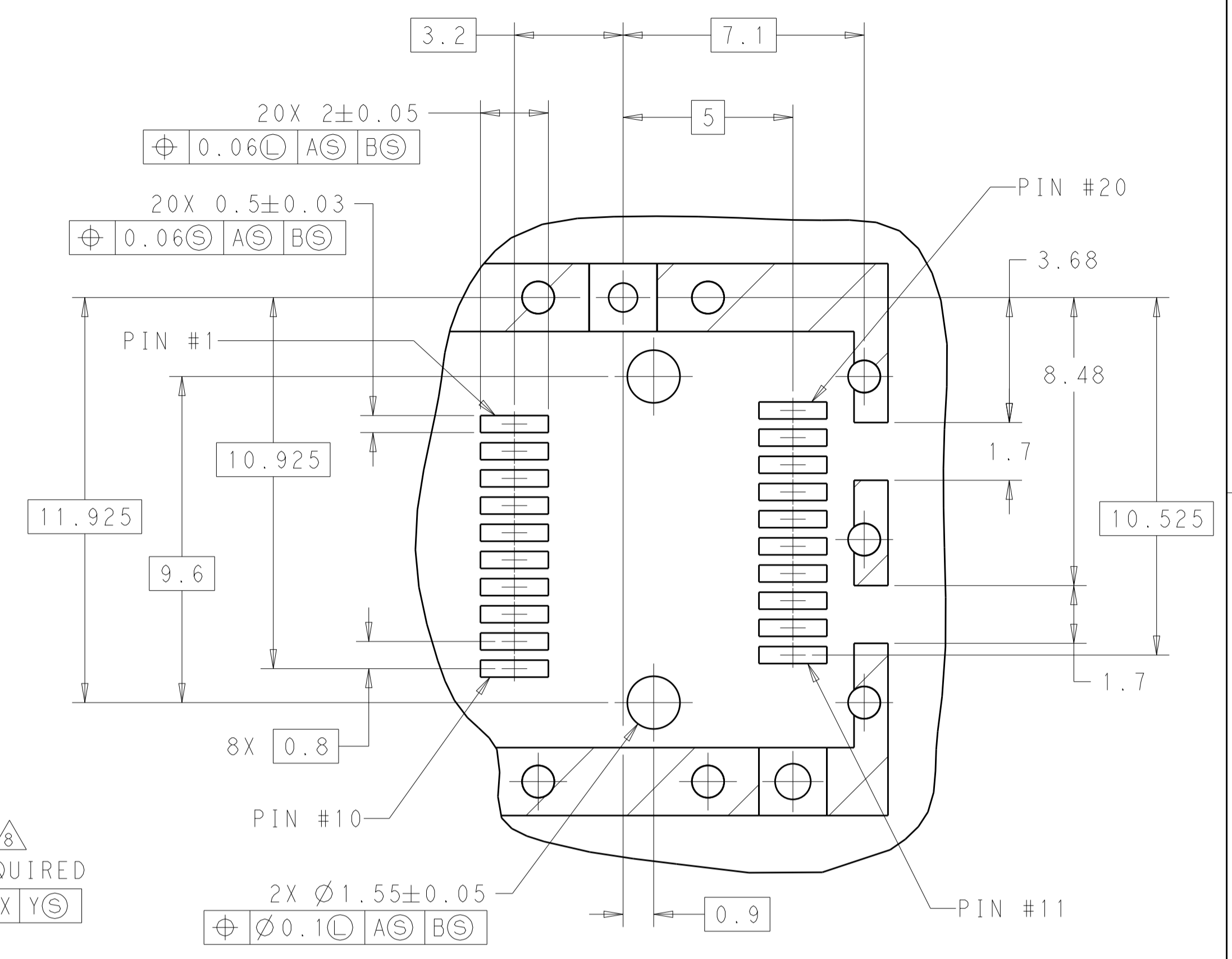
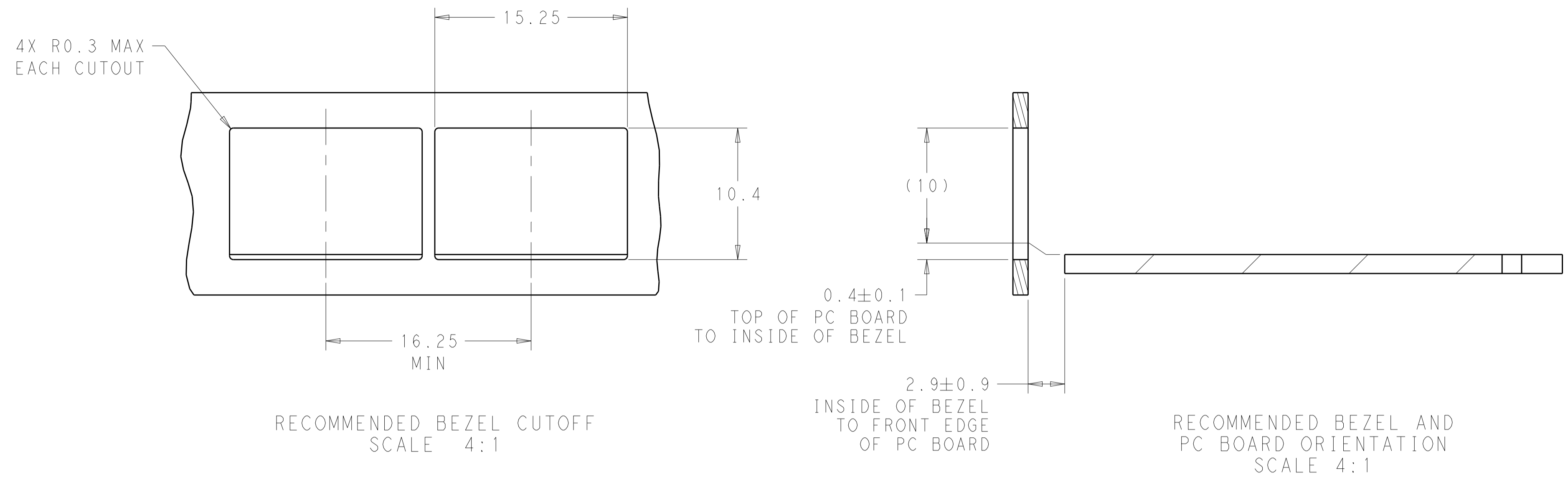
NAME: SFP, 1X1 SINGLE PIECE CAGE, SOLDER PIN

SIZE: A1 00779 C=2227303

LOC	DIST	REV	DATE	BY	APPV
GP	00				

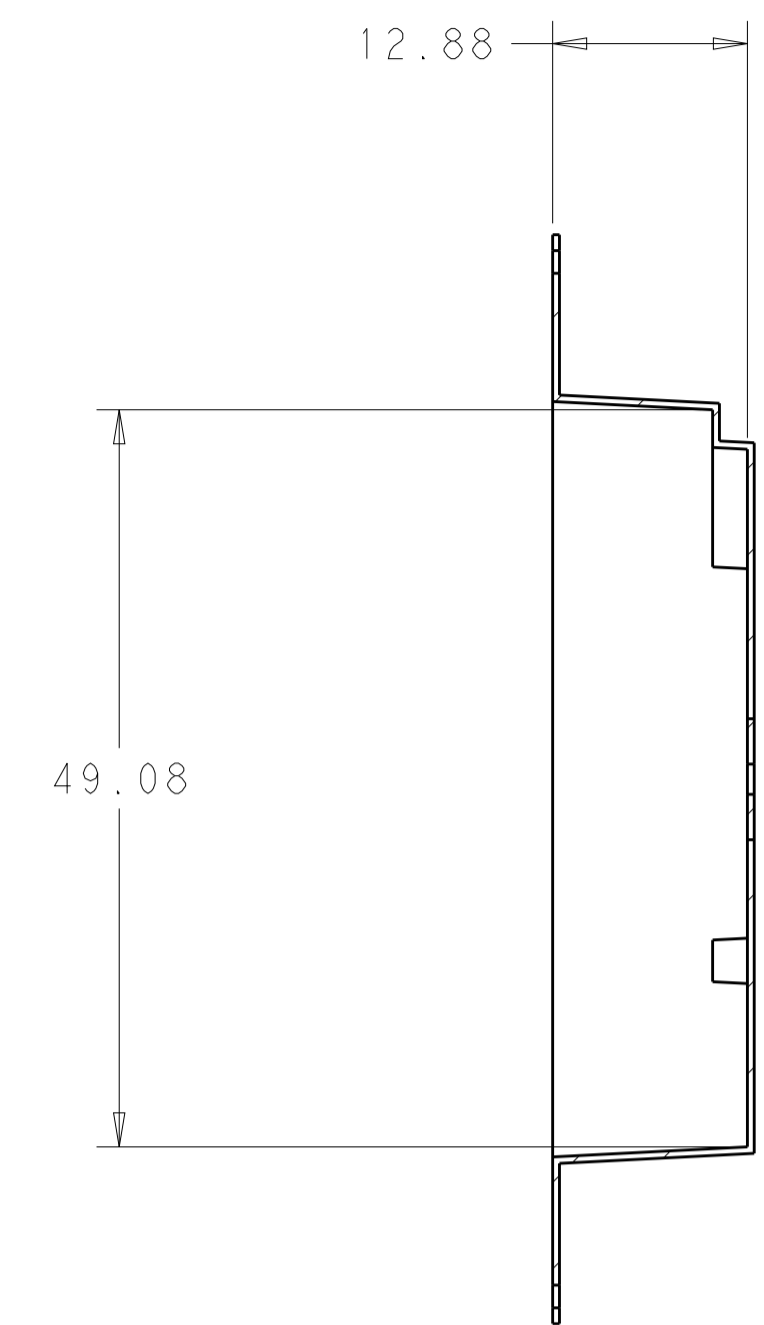
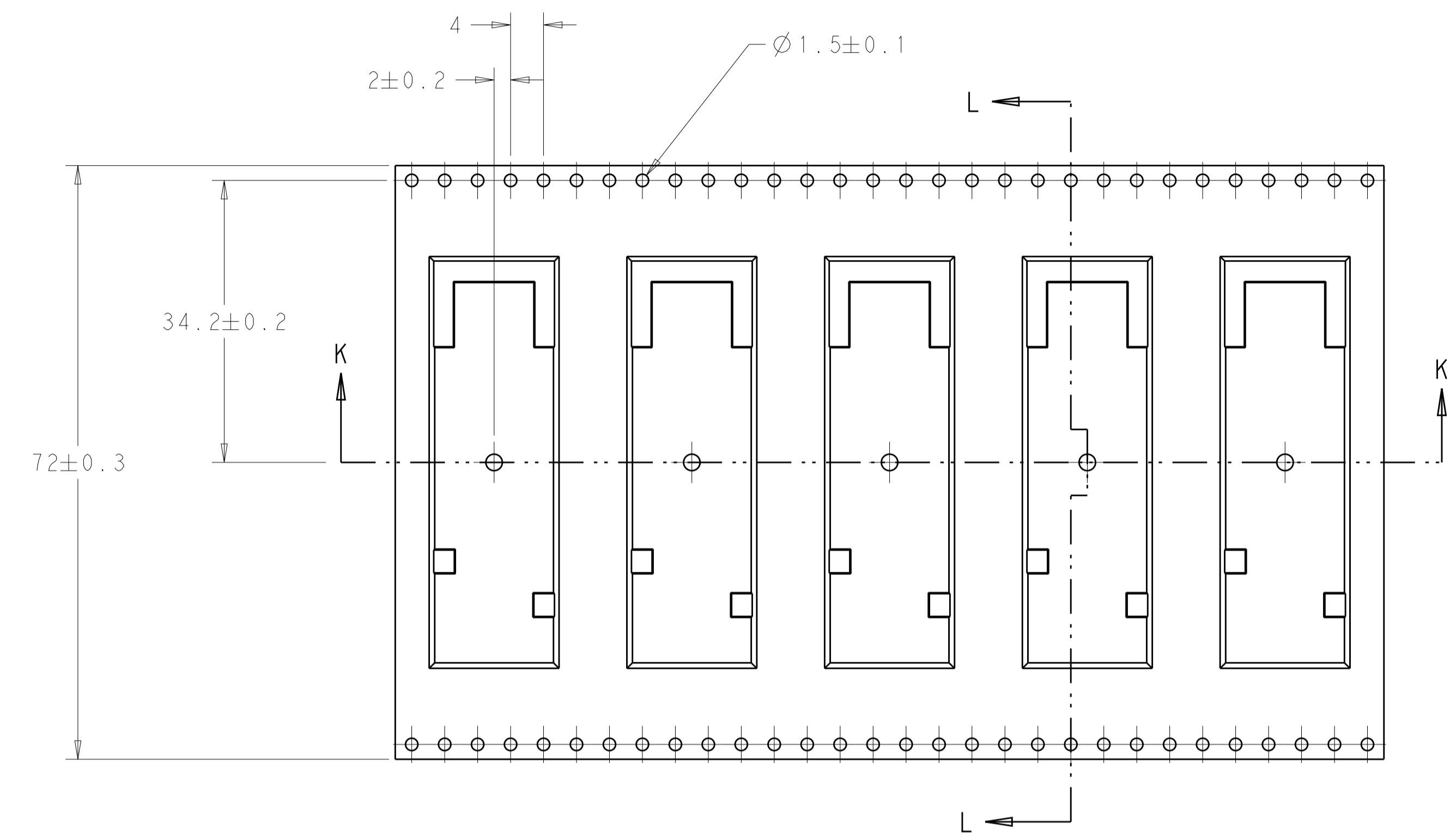
REVISIONS			
NO.	DESCRIPTION	DATE	BY
1	SEE SHEET 1		



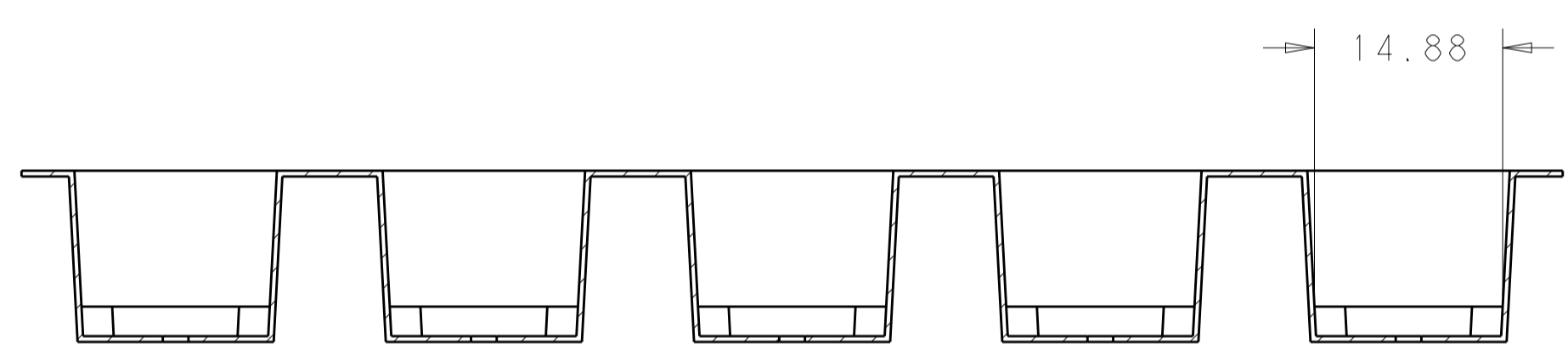
RECOMMENDED PCB LAYOUT SCALE 8:1

THIS DRAWING IS A CONTROLLED DOCUMENT. DIMENSIONING AND TOLERANCING PER ASME Y14.5M-2009.		DWN: C. VALENTINE 19OCT2012 CHK: M. SCHMITT 19OCT2012 APVD: M. SCHMITT 19OCT2012	TE Connectivity
DIMENSIONS: mm		PRODUCT SPEC: 108-1950 APPLICATION SPEC: 114-13120	
TOLERANCES UNLESS OTHERWISE SPECIFIED: 0 PLC ±0.1 1 PLC ±0.1 2 PLC ±0.1 3 PLC ±0.1 4 PLC ±0.1 ANGLES °		NAME: SFP, 1X1 SINGLE PIECE CAGE, SOLDER PIN SIZE: A1 CAGE CODE: 00779 DRAWING NO: C=2227303	RESTRICTED TO
MATERIAL: - FINISH: -		WEIGHT: - Customer Drawing	SCALE: 6:1 SHEET: 2 OF 3 REV: A2

LOC		DIST		REVISONS			
P	LTN	DESCRIPTION	DATE	DMN	APVD		
-	-	SEE SHEET 1	-	-	-		




SECTION L-L



SECTION K-K  
SCALE 2:1

2227303-2 / 1-222303-2 REEL PACKAGING

THIS DRAWING IS A CONTROLLED DOCUMENT. DIMENSIONING AND TOLERANCING PER ASME Y14.5M 2009		DMN C. VALENTINE 19OCT2012	 TE Connectivity	
DIMENSIONS: mm		CHK M. SCHMITT 19OCT2012		
DIMENSIONS: mm TOLERANCES UNLESS OTHERWISE SPECIFIED: 0 PLC ±0.1 1 PLC ±0.1 2 PLC ±0.1 3 PLC ±0.1 4 PLC ±0.1 ANGLES ±° FINISH		APVD M. SCHMITT 19OCT2012	NAME SFP, 1X1 SINGLE PIECE CAGE, SOLDER PIN	
MATERIAL		PRODUCT SPEC 108-1950	SIZE A100779C=2227303	
		APPLICATION SPEC 114-13120	RESTRICTED TO	
		WEIGHT	SCALE 6:1 SHEET 3 OF 3 REV A2	
		Customer Drawing		