



Chipsmall Limited consists of a professional team with an average of over 10 year of expertise in the distribution of electronic components. Based in Hongkong, we have already established firm and mutual-benefit business relationships with customers from,Europe,America and south Asia,supplying obsolete and hard-to-find components to meet their specific needs.

With the principle of “Quality Parts,Customers Priority,Honest Operation,and Considerate Service”,our business mainly focus on the distribution of electronic components. Line cards we deal with include Microchip,ALPS,ROHM,Xilinx,Pulse,ON,Everlight and Freescale. Main products comprise IC,Modules,Potentiometer,IC Socket,Relay,Connector.Our parts cover such applications as commercial,industrial, and automotives areas.

We are looking forward to setting up business relationship with you and hope to provide you with the best service and solution. Let us make a better world for our industry!



## Contact us

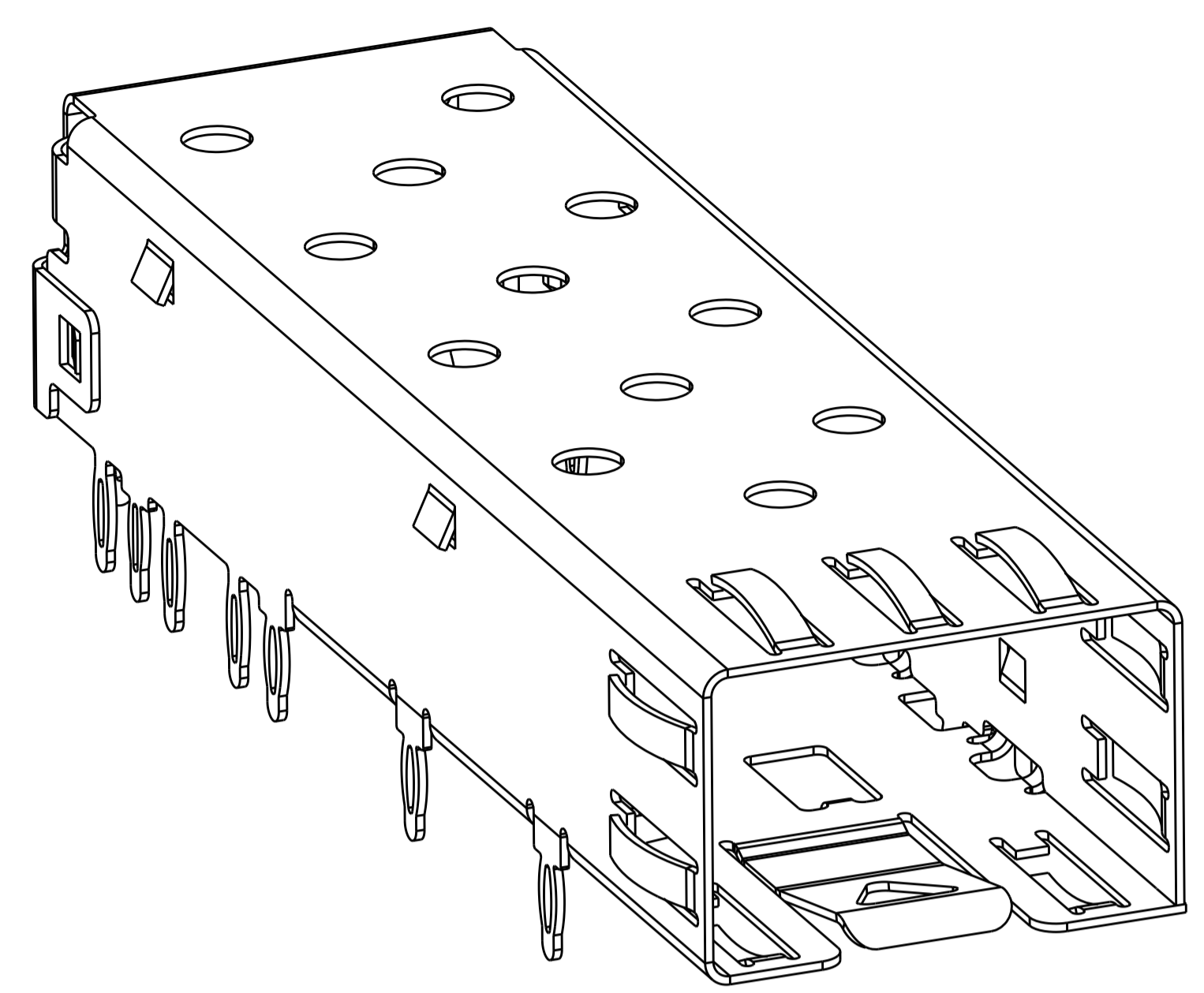
Tel: +86-755-8981 8866 Fax: +86-755-8427 6832

Email & Skype: info@chipsmall.com Web: www.chipsmall.com

Address: A1208, Overseas Decoration Building, #122 Zhenhua RD., Futian, Shenzhen, China

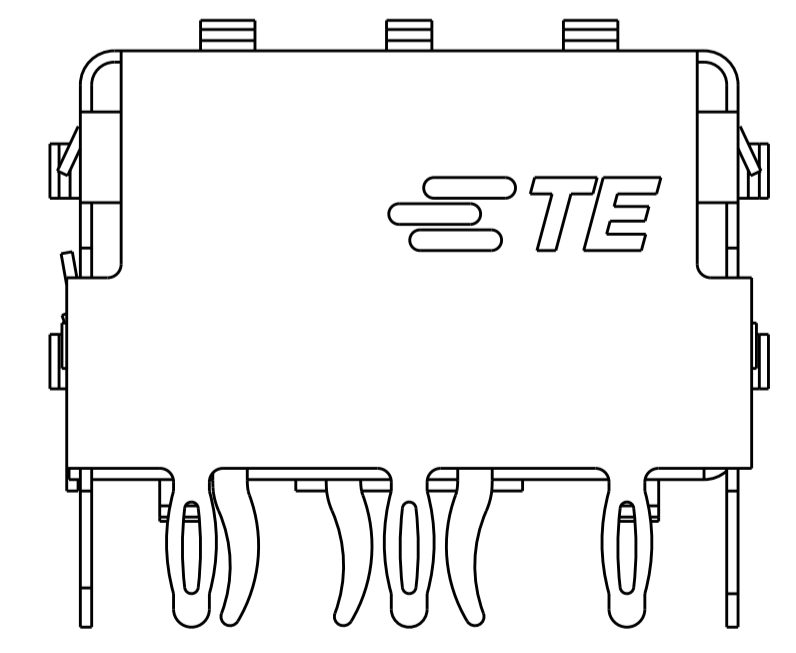
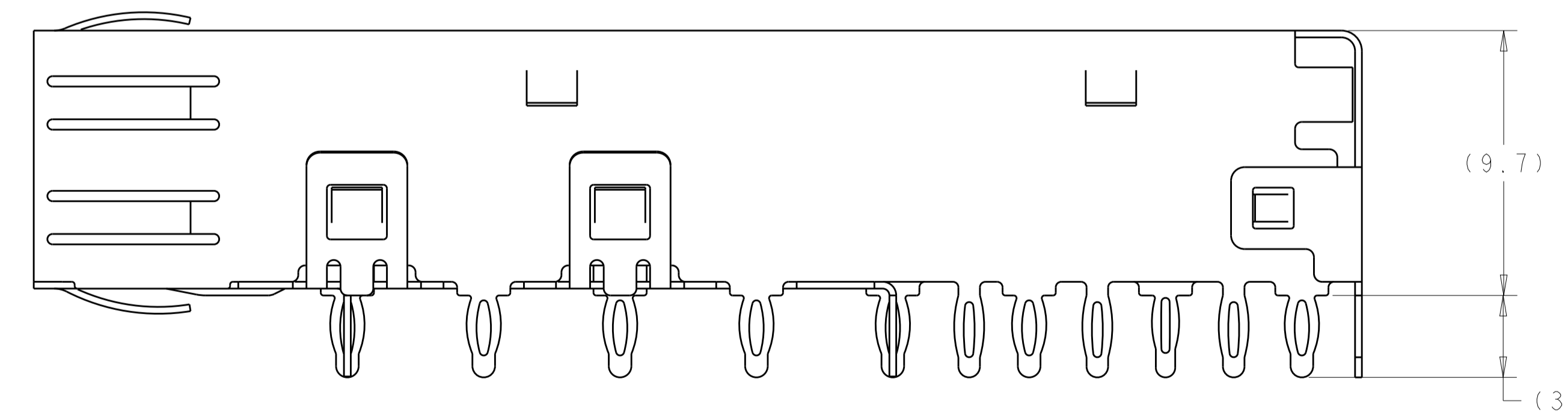
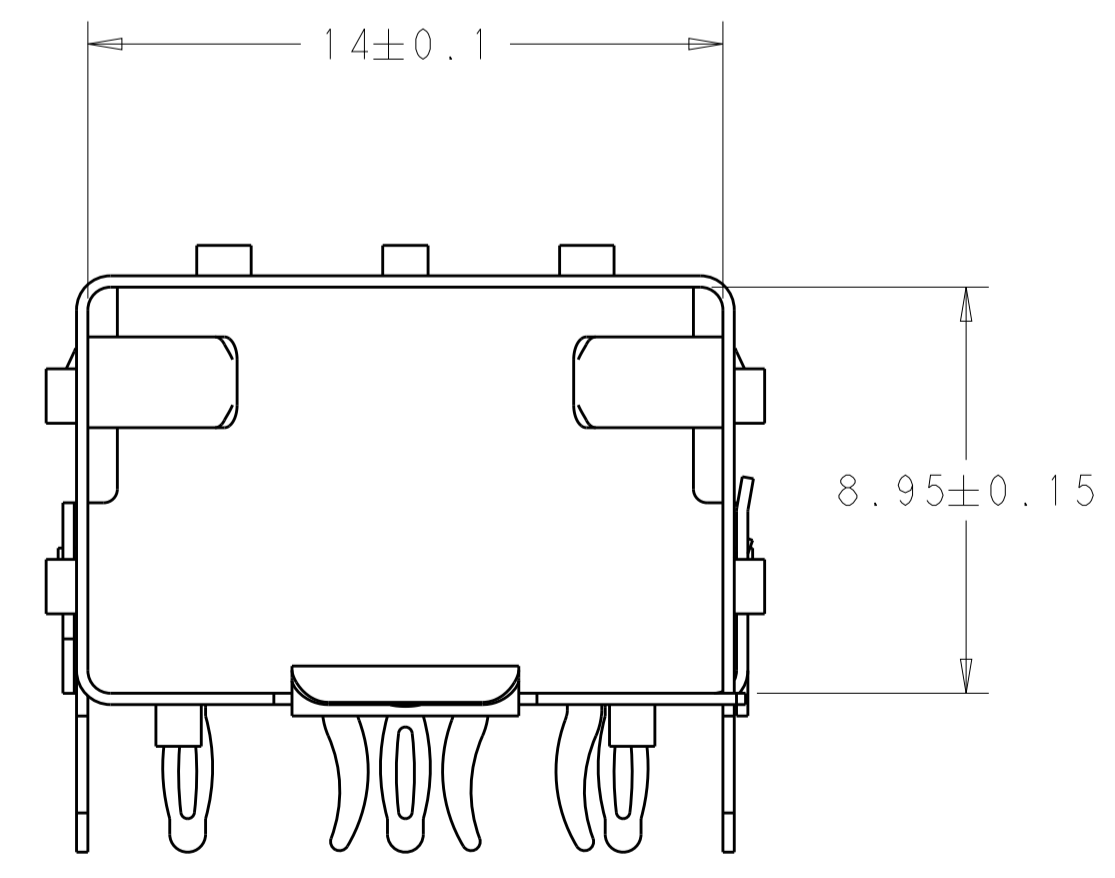
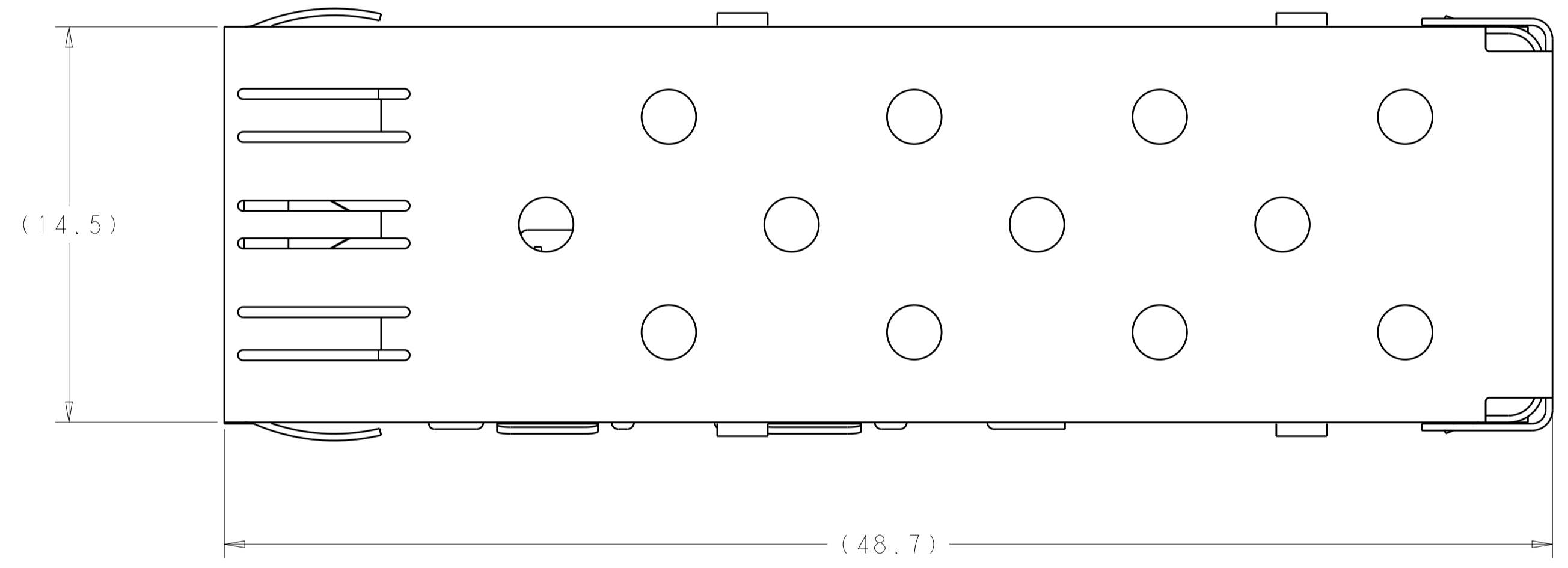


LOC	DIST	REVISIONS					
		P	LTN	DESCRIPTION	DATE	DWN	APVD
GP	00	A		INITIAL RELEASE	21MAY2014	CW	SH
		A1		REVISED PER ECO-15-001812	4-FEB-2015	JW	SH
		A2		REVISED PER ECO-15-011580	10-AUG-2015	JW	SH



ISOMETRIC VIEW  
 2227317-1  
 SCALE 6:1

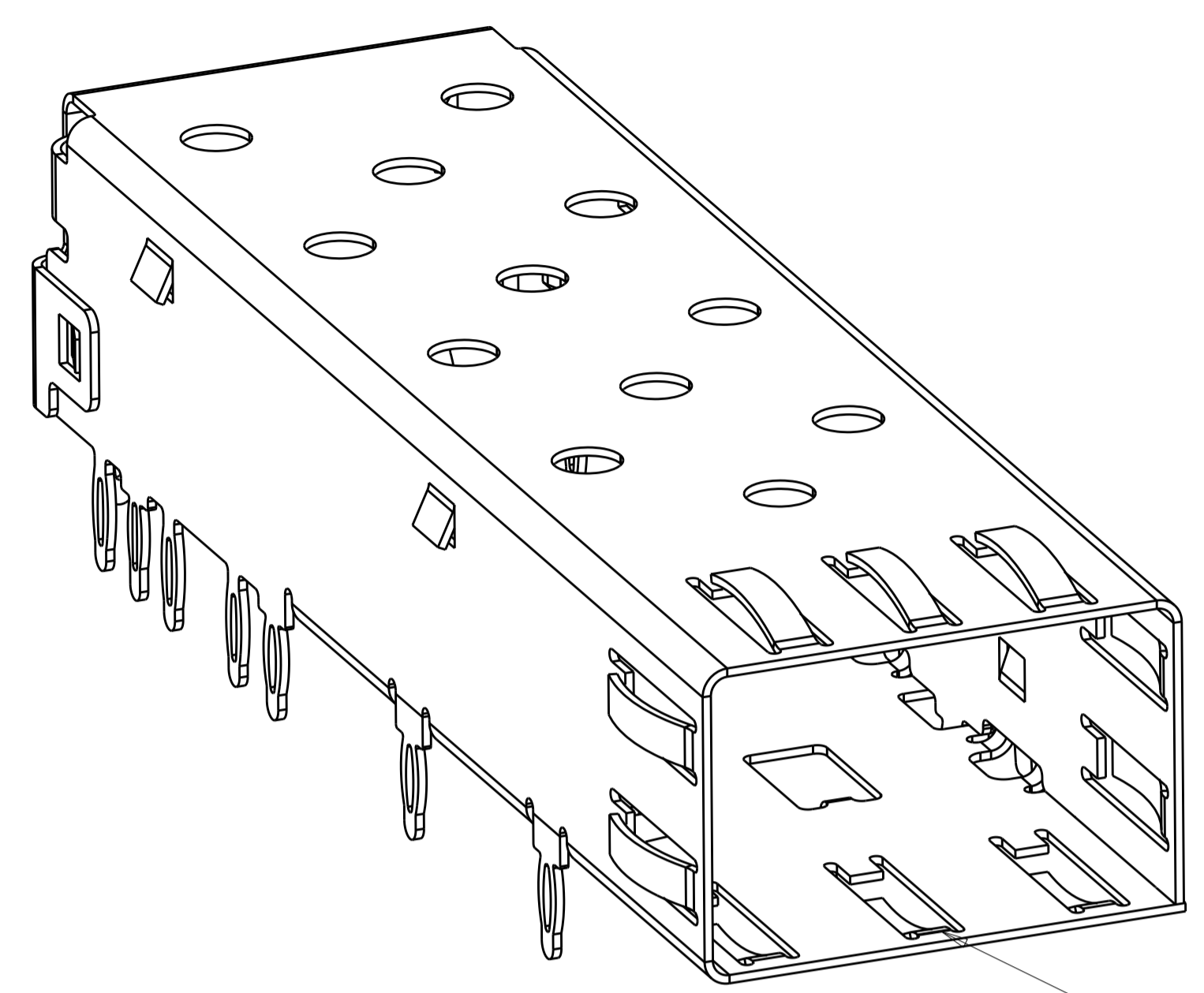
- 1. MATERIAL: 0.25mm THICK STAINLESS STEEL.
- 2. FINISH: NICKEL, NON PLATED EDGES PERMISSIBLE.
- 3. MATES WITH SFP MSA COMPLIANT TRANSCEIVERS.
- 4. PADS AND VIAS CHASSIS GROUND.
- 5. DATUM AND BASIC DIMENSION ESTABLISHED BY CUSTOMER.
- 6. MINIMUM PC BOARD THICKNESS:  
 SINGLE SIDED = 1.50 mm
- 7. REFERENCE APPLICATION SPEC. 114-13120, HOLE A, FOR  
 RECOMMENDED DRILL HOLE DIAMETER AND PLATING THICKNESS(EXCEPT IMMERSION SILVER PLATING).
- 8. REFERENCE APPLICATION SPEC. 114-13120, HOLE C, FOR  
 RECOMMENDED DRILL HOLE DIAMETER AND PLATING THICKNESS(EXCEPT IMMERSION SILVER PLATING).
- 9. THE RECOMMENDED DIMENSIONS FOR HOLES ON PAGE 2/2 ARE NOT COMPATIBLE WITH IMMERSION SILVER PLATING HOLES  
 BECAUSE OF OVERLARGE INSERTION FORCE.



2227317-1  
 PART  
 NUMBER

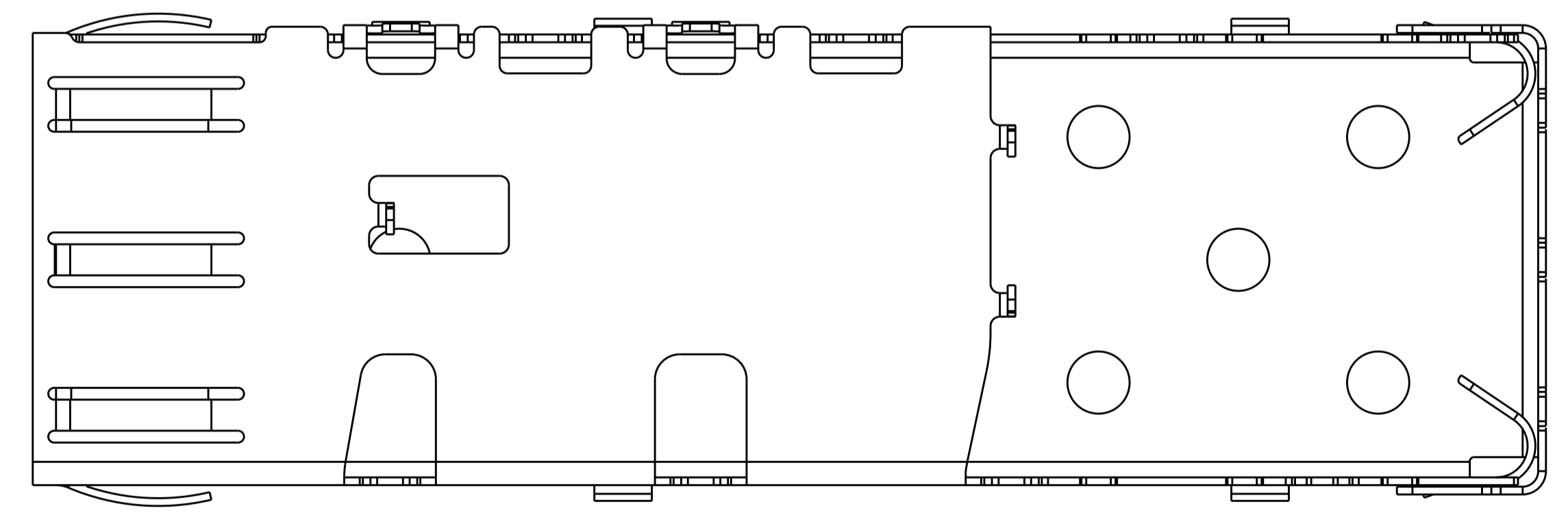
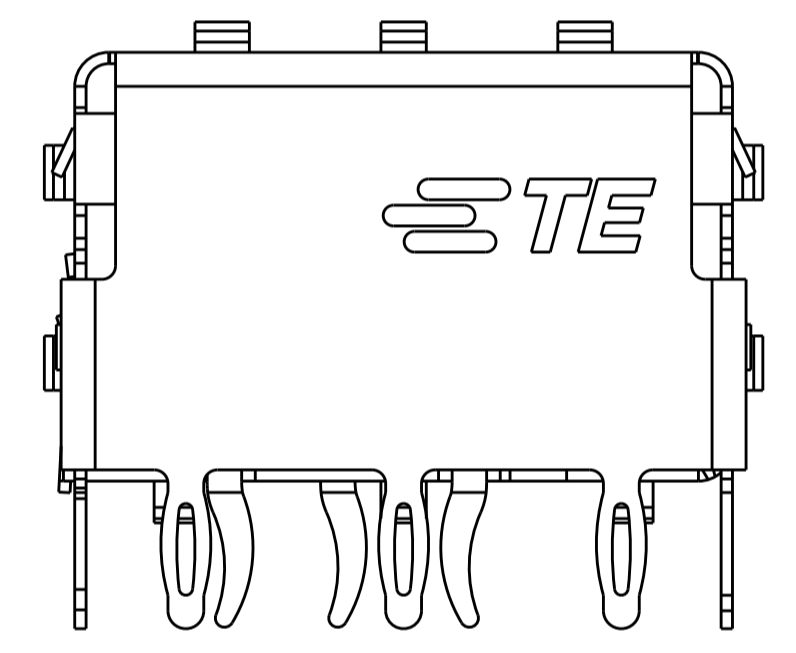
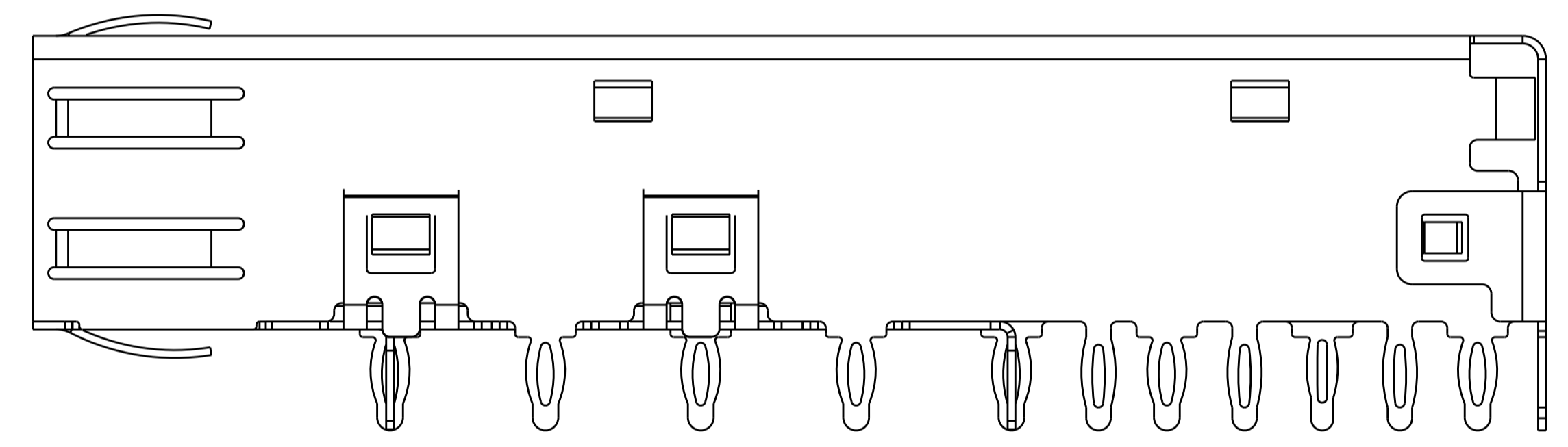
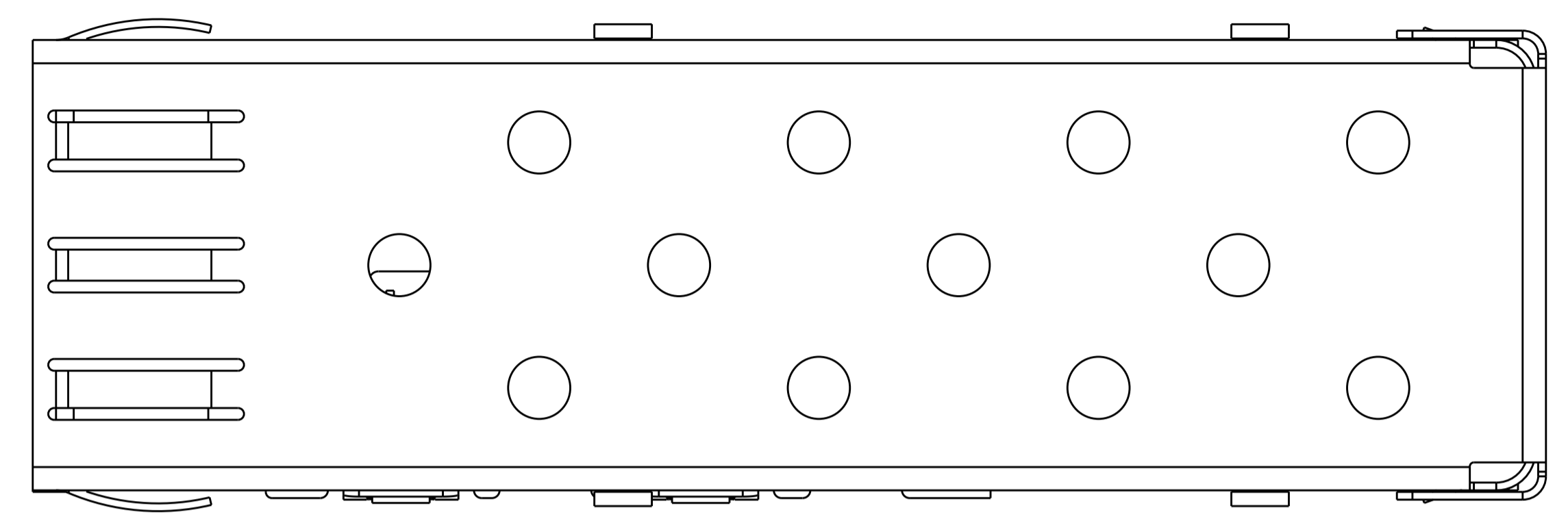
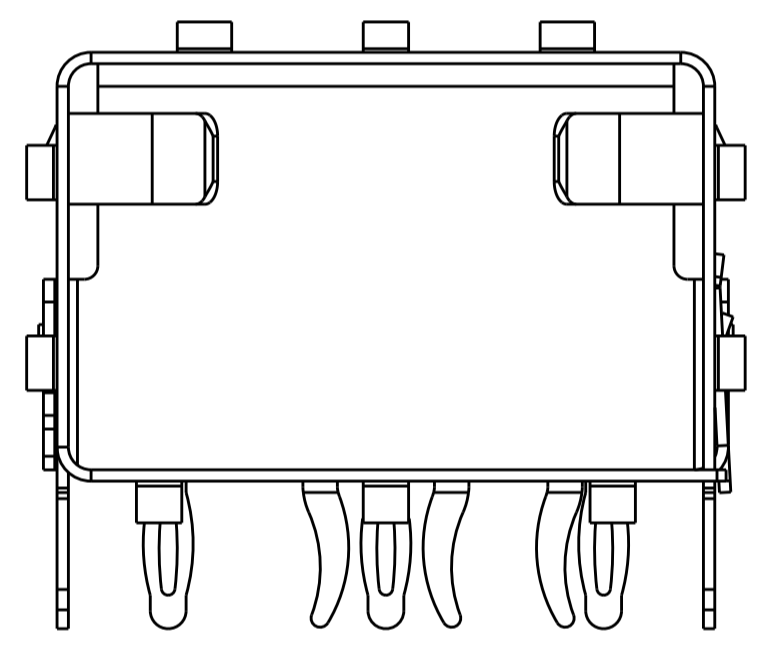
THIS DRAWING IS A CONTROLLED DOCUMENT. DIMENSIONING AND TOLERANCING PER ASME Y14.5M-2009		DWN C. VALENTINE 07NOV2012	TE Connectivity NAME SFP, 1X1 SINGLE PIECE CAGE, W/ LIGHT PIPES, PRESS FIT
DIMENSIONS: mm		CHK M. SCHMITT 07NOV2012	
TOLERANCES UNLESS OTHERWISE SPECIFIED:		APVD M. SCHMITT 07NOV2012	RESTRICTED TO
0 PLC	±	PRODUCT SPEC	
1 PLC	±0.2	108-1950	
2 PLC	±0.1	APPLICATION SPEC	
3 PLC	±0.1	114-13120	
4 PLC	±	WEIGHT	
ANGLES	±	Customer Drawing	
MATERIAL		SCALE 6:1	SHEET 1 OF 4
FINISH		REV A2	

LOC	DIST	REVISIONS					
		P.	LTN	DESCRIPTION	DATE	DWN	APVD
GP	00	-	-	SEE SHEET 1	-	-	-



NO LATCH

ISOMETRIC VIEW  
SCALE 6:1

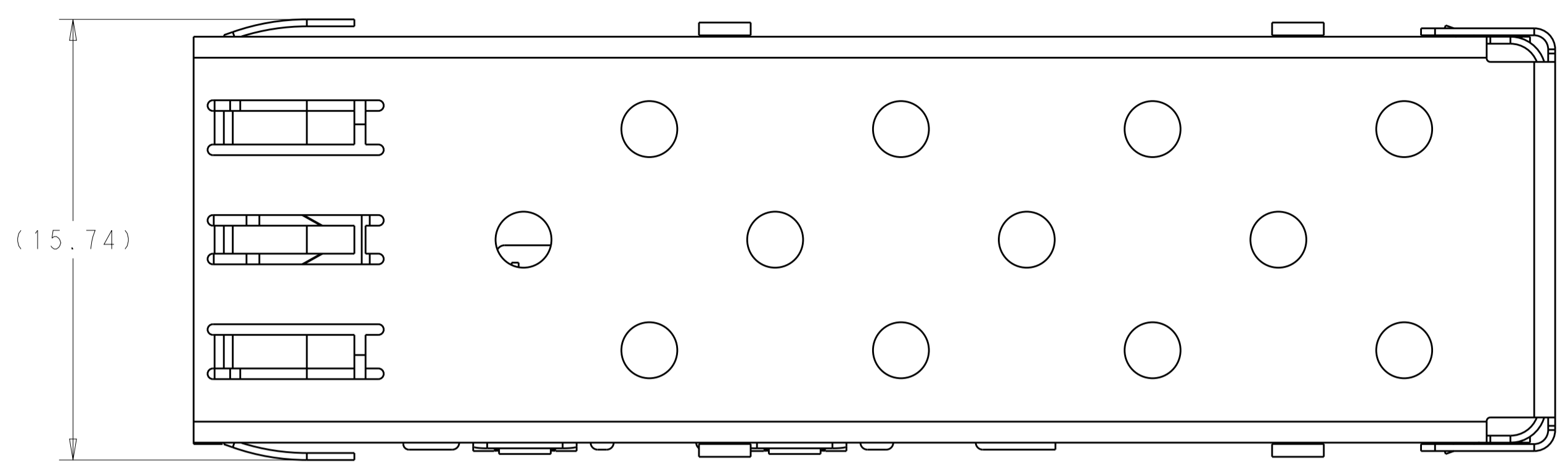
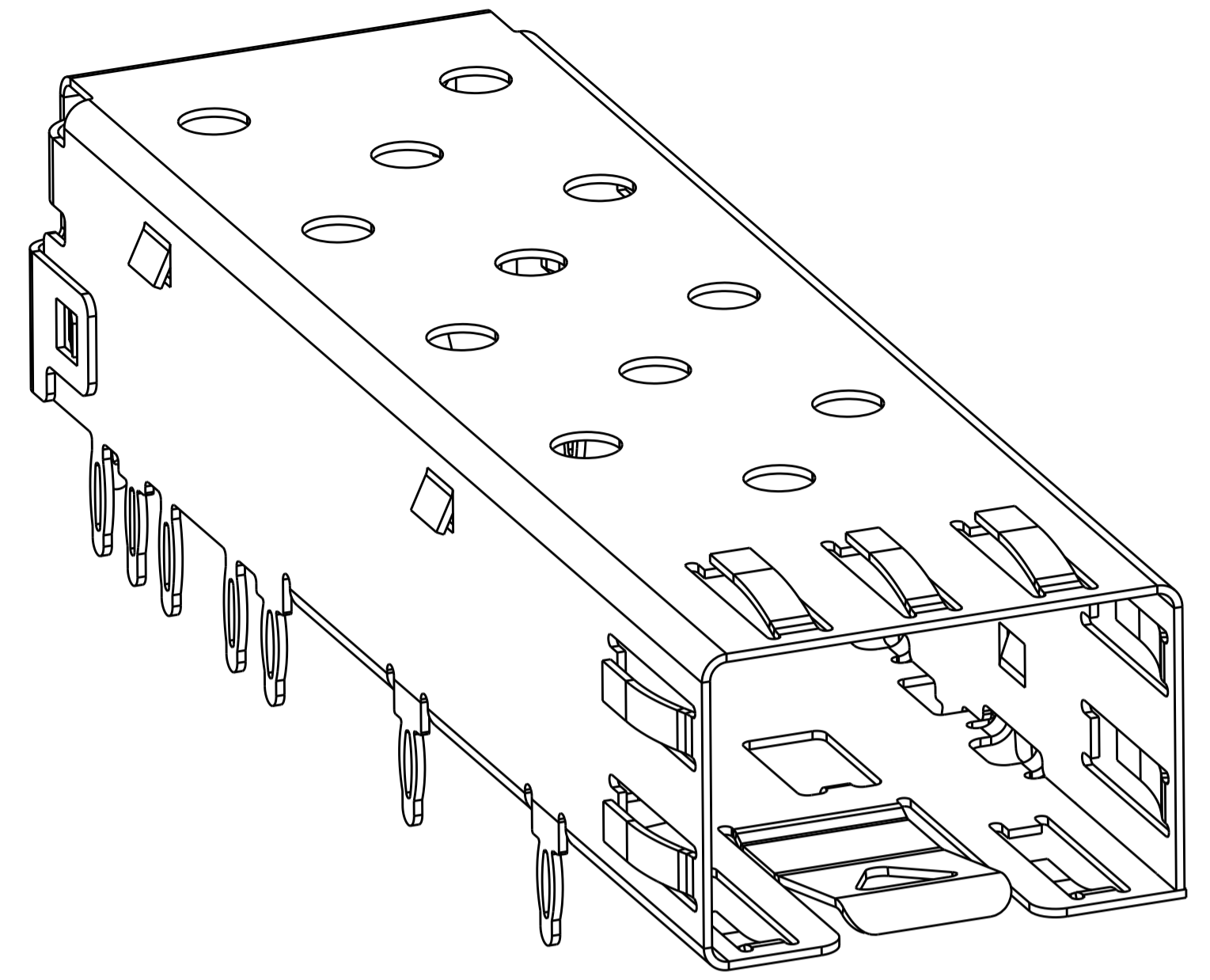


DIMENSIONS SAME AS 2227317-1

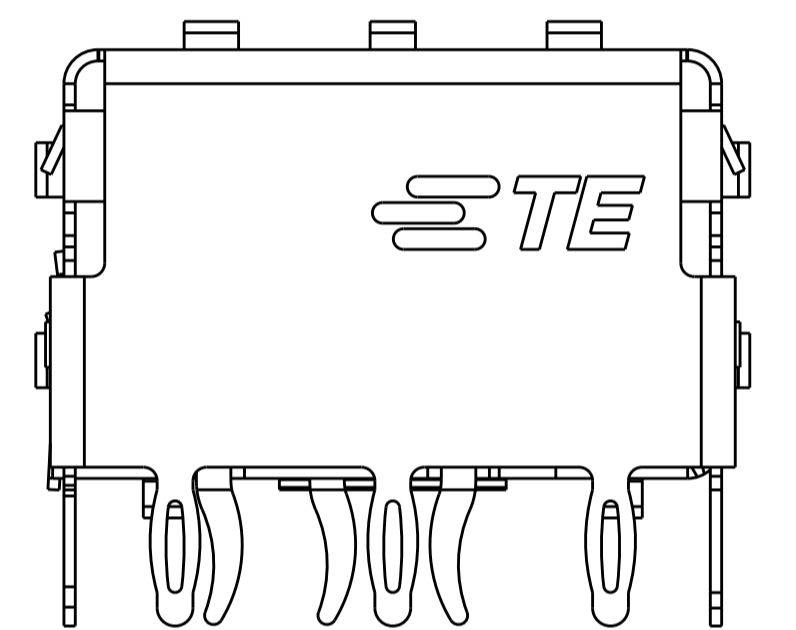
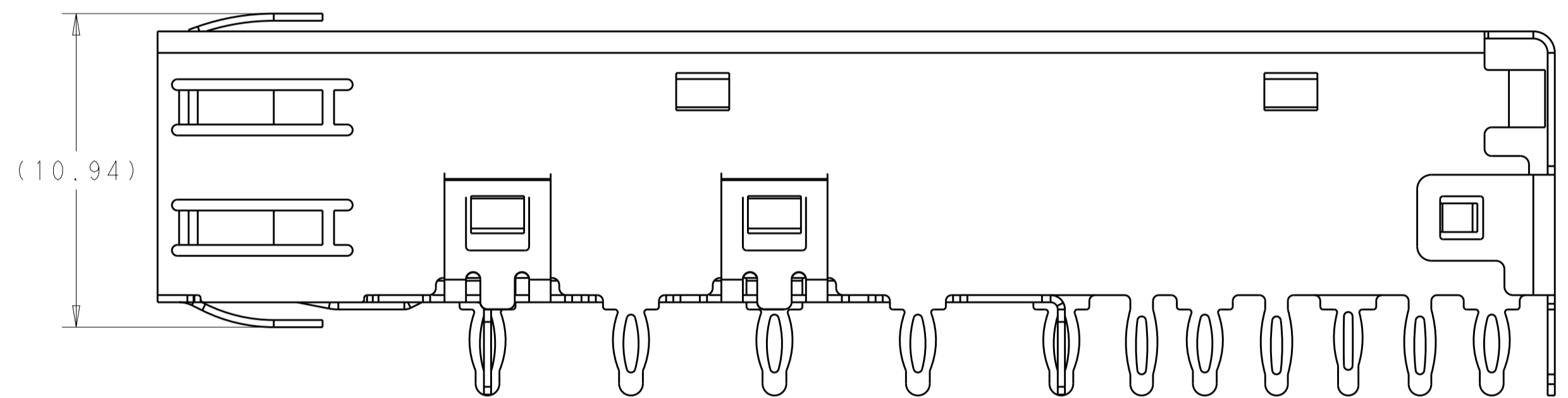
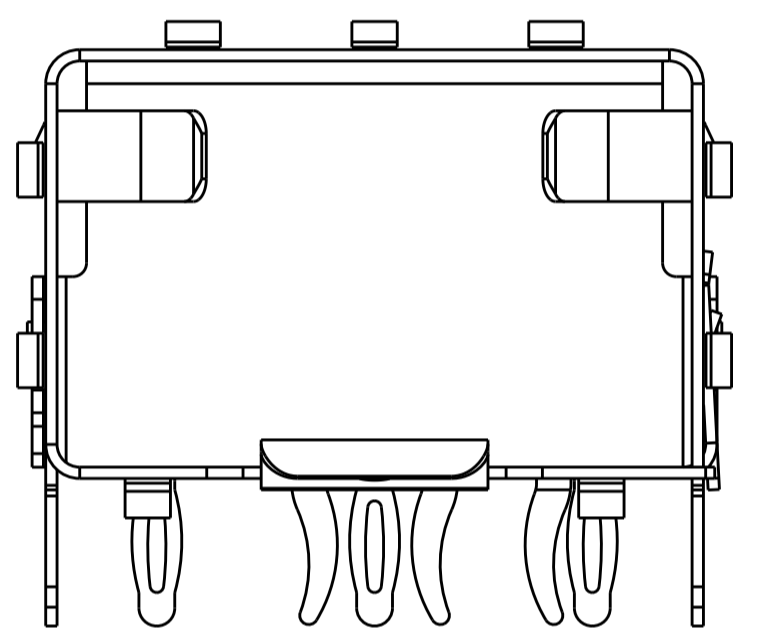
2227317-3  
PART NUMBER

THIS DRAWING IS A CONTROLLED DOCUMENT. DIMENSIONING AND TOLERANCING PER ASME Y14.5M-2009		DWN C. VALENTINE 07NOV2012 CHK M. SCHMITT 07NOV2012 APVD M. SCHMITT 07NOV2012	TE Connectivity
DIMENSIONS: mm 	TOLERANCES UNLESS OTHERWISE SPECIFIED: 0 PLC ± 1 PLC ±0.2 2 PLC ±0.1 3 PLC ±0.1 4 PLC ± ANGLES ± FINISH	NAME SFP, 1X1 SINGLE PIECE CAGE, W/ LIGHT PIPES, PRESS FIT PRODUCT SPEC 108-1950 APPLICATION SPEC 114-13120 WEIGHT Customer Drawing	
		SCALE 6:1 SHEET 2 OF 4 REV A2	

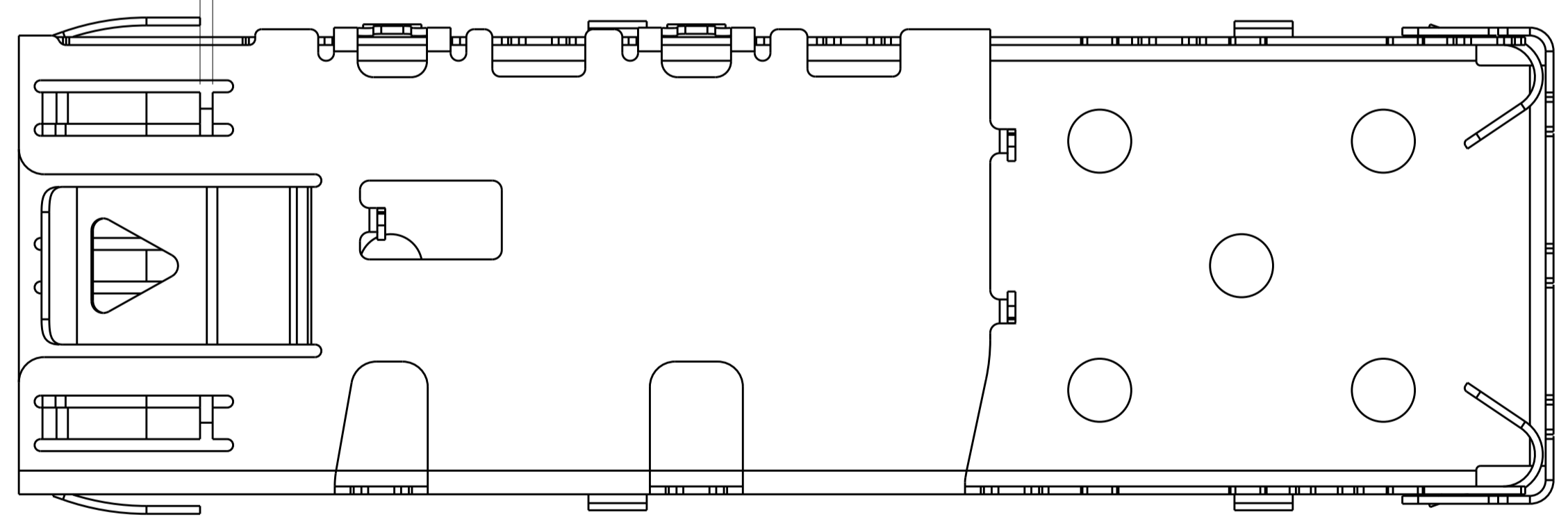
LOC	DIST	REVISIONS					
GP	00	P	LYR	DESCRIPTION	DATE	DMN	APVD
		-		SEE SHEET 1			



ISOMETRIC VIEW  
SCALE 6:1



0.1MIN  
(ALL SPRING FINGERS)



DIMENSIONS SAME AS 2227317-1

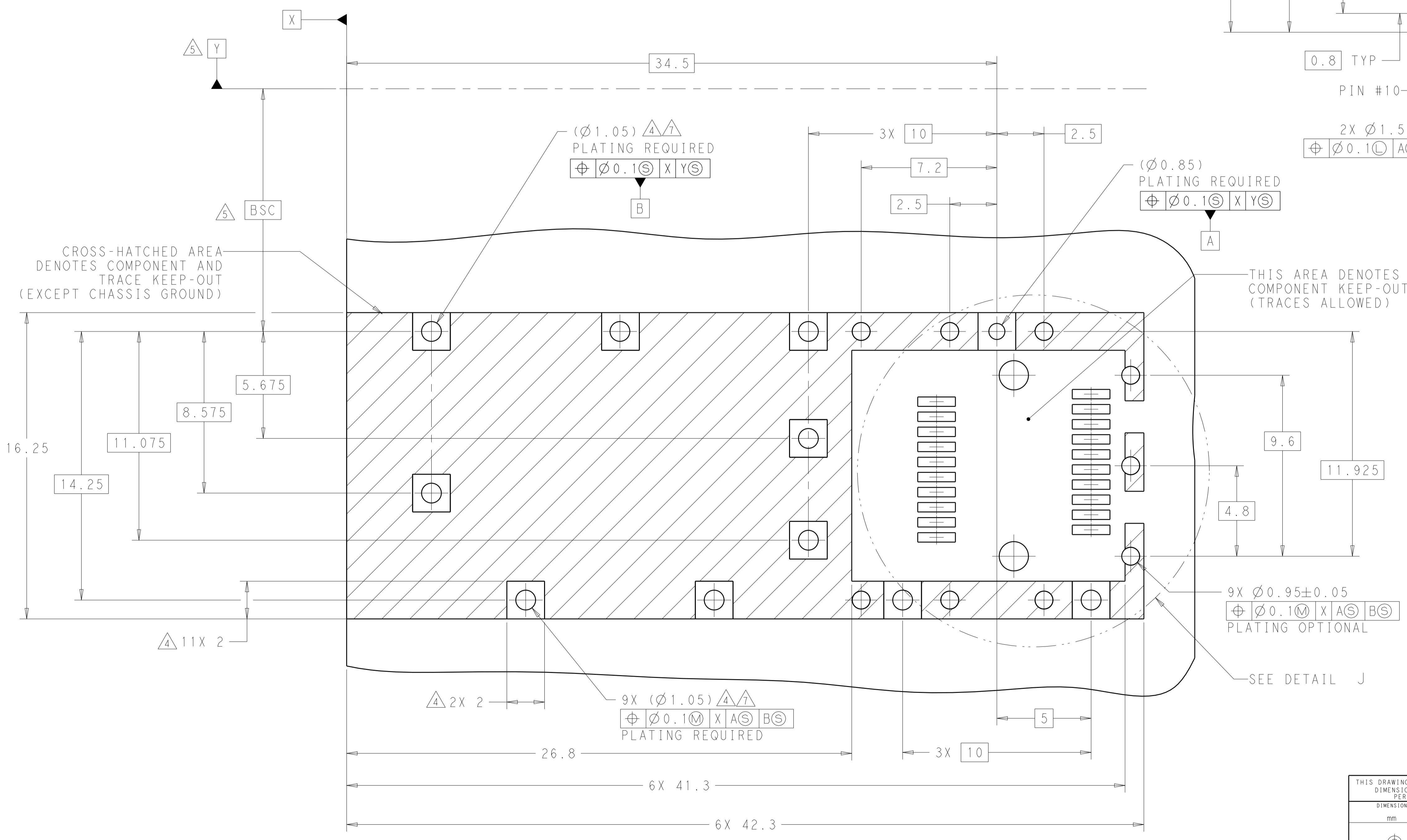
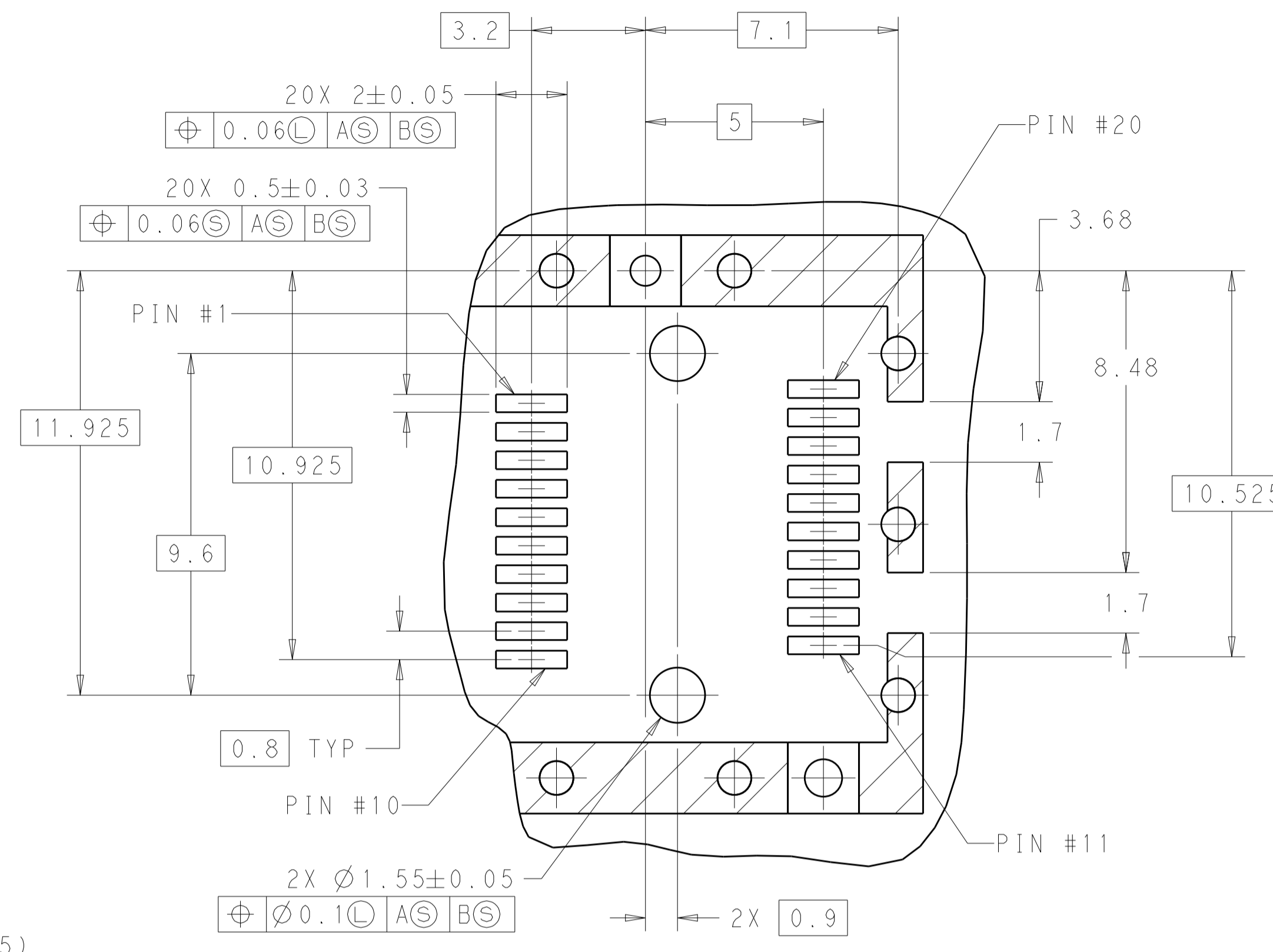
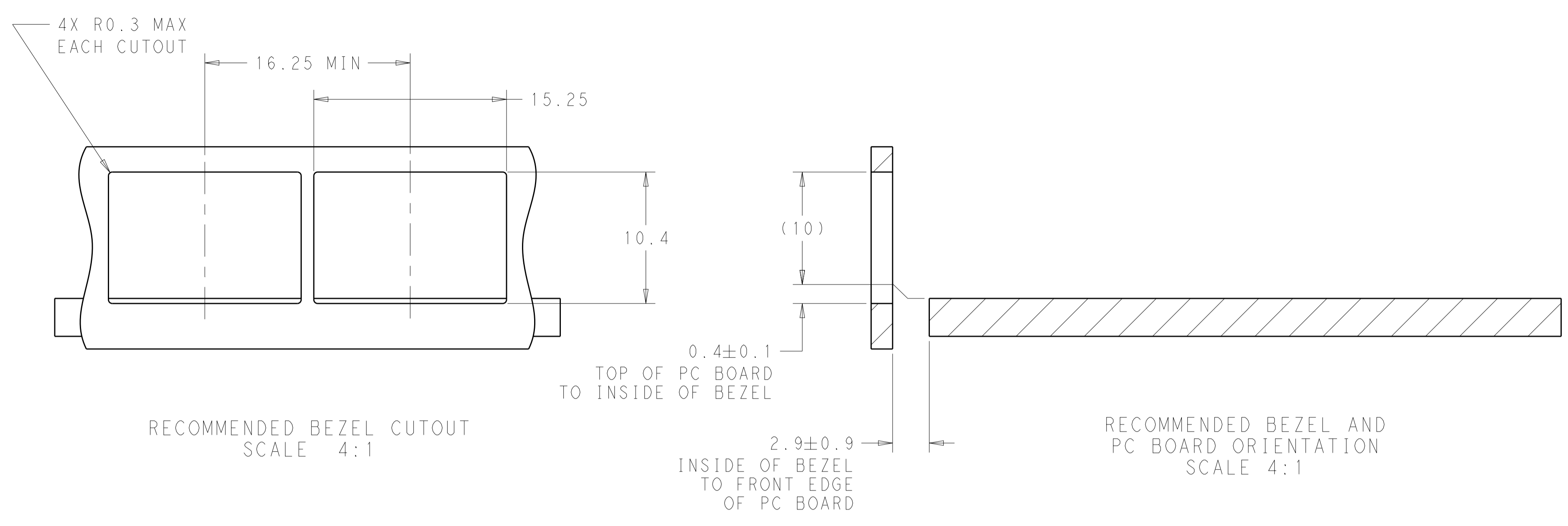
2227317-5  
PART NUMBER

THIS DRAWING IS A CONTROLLED DOCUMENT. DIMENSIONING AND TOLERANCING PER ASME Y14.5M-2009		DMN: C. VALENTINE 07NOV2012 CHK: M. SCHMITT 07NOV2012 APVD: M. SCHMITT 07NOV2012	TE Connectivity NAME: SFP, 1X1 SINGLE PIECE CAGE, W/ LIGHT PIPES, PRESS FIT PRODUCT SPEC: 108-1950 APPLICATION SPEC: 114-13120 SIZE: A1 CAGE CODE: 00779 DRAWING NO: 2227317 RESTRICTED TO: -	
DIMENSIONS: mm	TOLERANCES UNLESS OTHERWISE SPECIFIED:	0 PLC ±0.2 1 PLC ±0.1 2 PLC ±0.1 3 PLC ±0.1 4 PLC ±0.1	WEIGHT: -	SCALE: 6:1
MATERIAL: -	FINISH: -	Customer Drawing	SHEET 3 OF 4	REV A2

LOC	DIST	REV	DATE	APPV
GP	00			

REVISIONS				
REV	DESCRIPTION	DATE	DMN	APPV
-	SEE SHEET 1	-	-	-



THIS DRAWING IS A CONTROLLED DOCUMENT. DIMENSIONING AND TOLERANCING PER ASME Y14.5M-2009		DMN: C. VALENTINE 07NOV2012	TE Connectivity
DIMENSIONS: mm		CHK: M. SCHMITT 07NOV2012	
TOLERANCES UNLESS OTHERWISE SPECIFIED:		APPV: M. SCHMITT 07NOV2012	NAME: SFP, 1X1 SINGLE PIECE CAGE, W/ LIGHT PIPES, PRESS FIT
0 PLC	±	PRODUCT SPEC	SIZE: CAGE CODE DRAWING NO
1 PLC	±0.2	108-1950	RESTRICTED TO
2 PLC	±0.1	APPLICATION SPEC	A100779C=2227317
3 PLC	±0.1	114-13120	SCALE: 1:1 SHEET 4 OF 4 REV: A2
4 PLC	±	WEIGHT	Customer Drawing
ANGLES	±		
MATERIAL			
FINISH			