



Chipsmall Limited consists of a professional team with an average of over 10 year of expertise in the distribution of electronic components. Based in Hongkong, we have already established firm and mutual-benefit business relationships with customers from,Europe,America and south Asia,supplying obsolete and hard-to-find components to meet their specific needs.

With the principle of “Quality Parts,Customers Priority,Honest Operation,and Considerate Service”,our business mainly focus on the distribution of electronic components. Line cards we deal with include Microchip,ALPS,ROHM,Xilinx,Pulse,ON,Everlight and Freescale. Main products comprise IC,Modules,Potentiometer,IC Socket,Relay,Connector.Our parts cover such applications as commercial,industrial, and automotives areas.

We are looking forward to setting up business relationship with you and hope to provide you with the best service and solution. Let us make a better world for our industry!



## Contact us

Tel: +86-755-8981 8866 Fax: +86-755-8427 6832

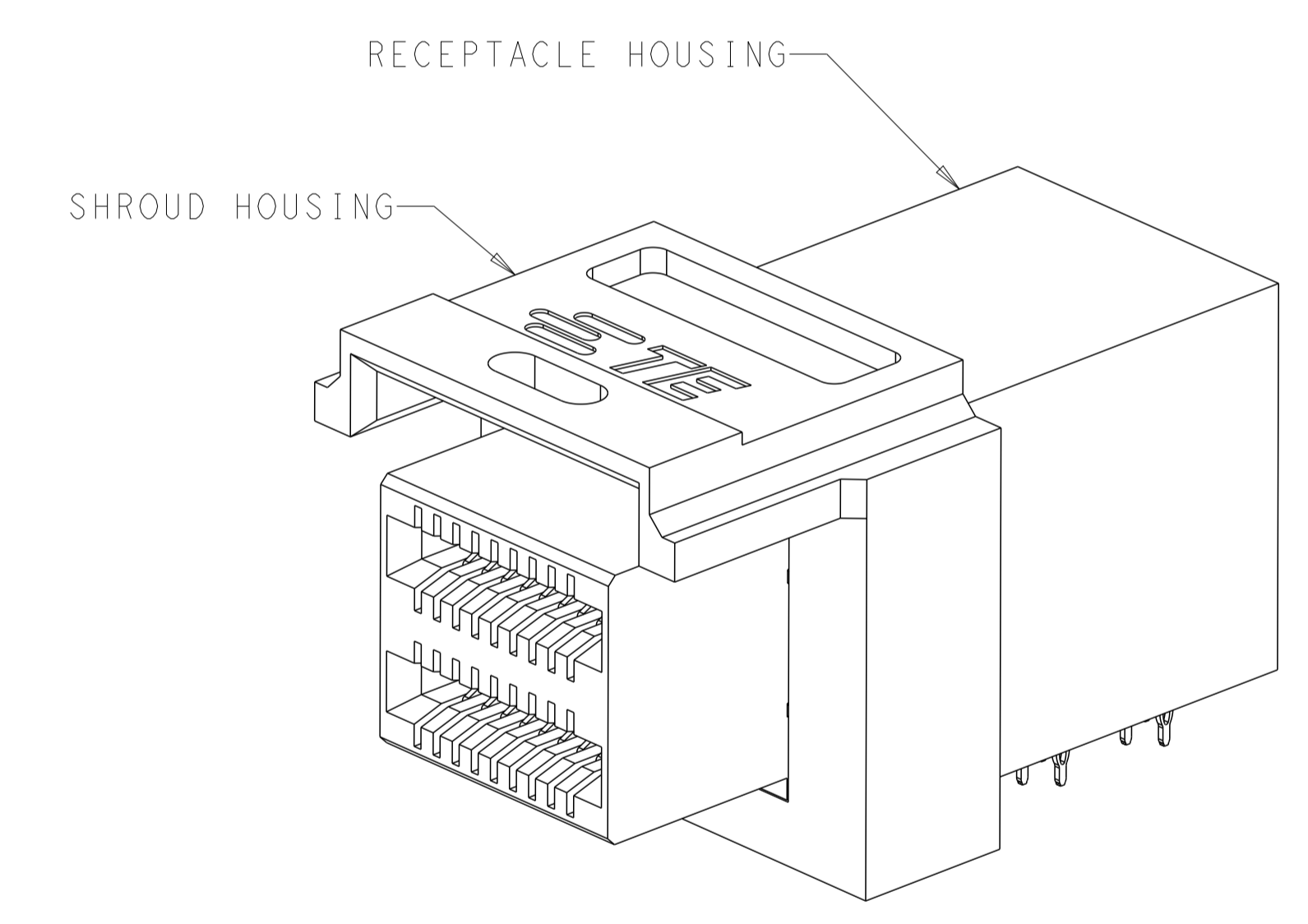
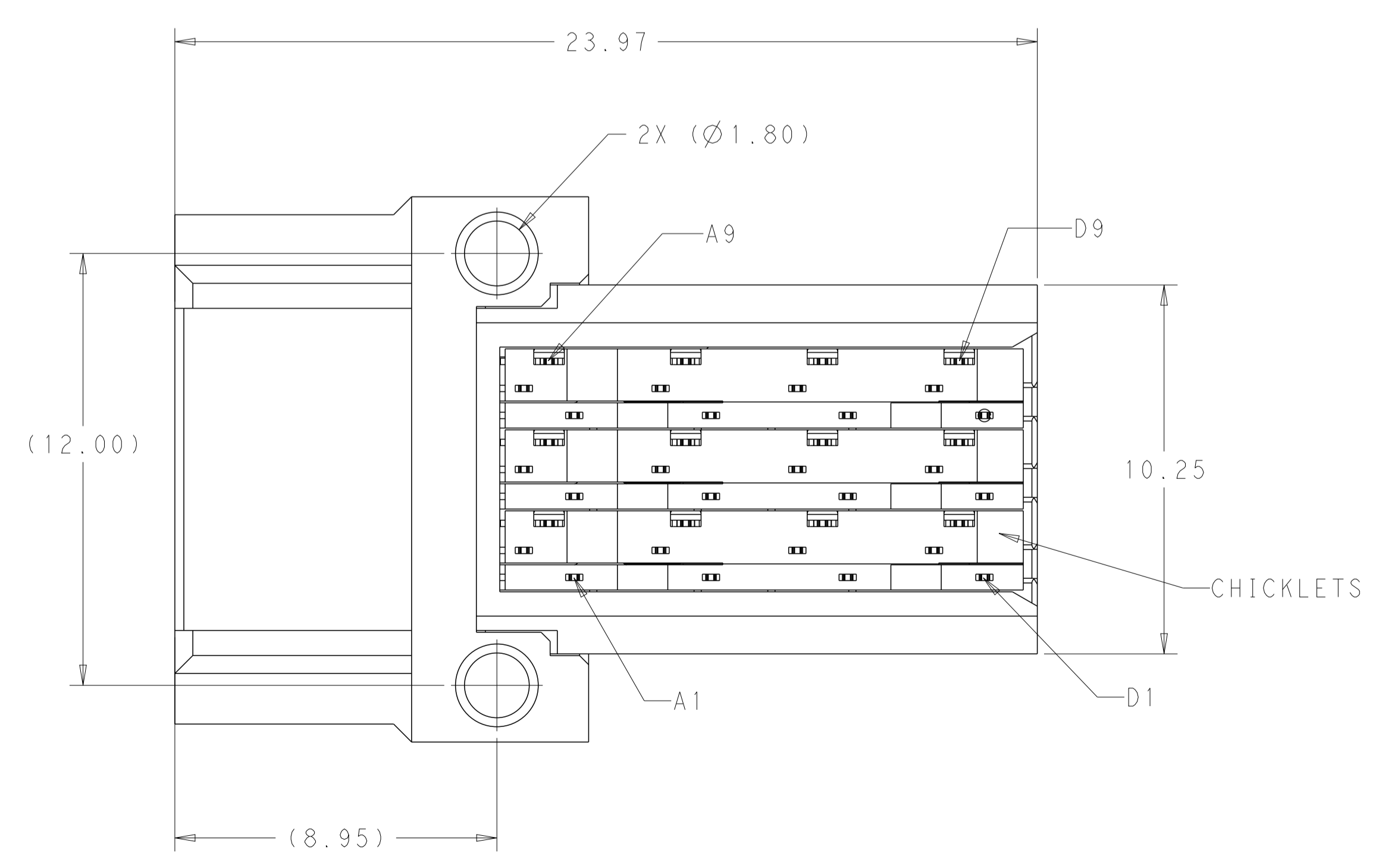
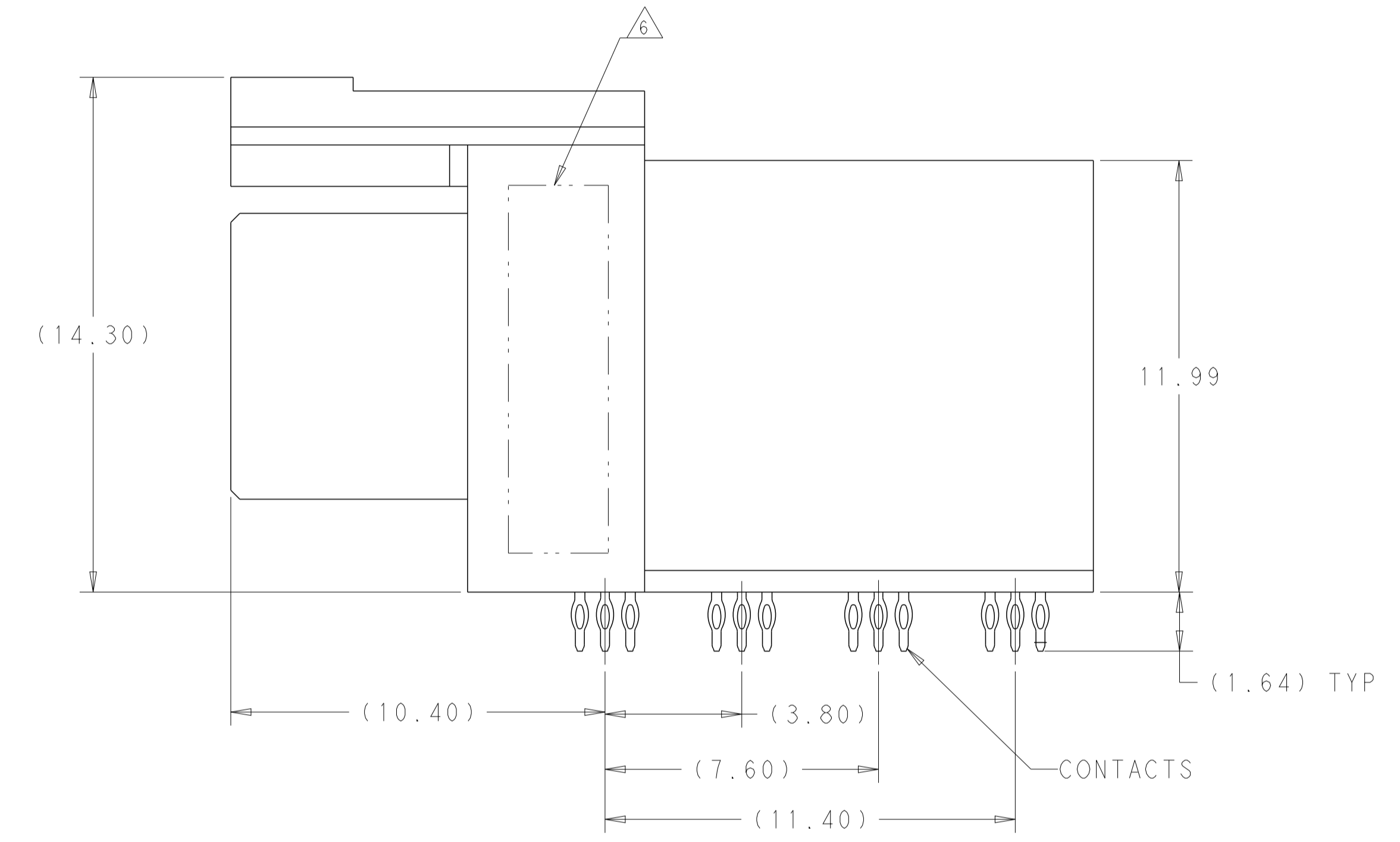
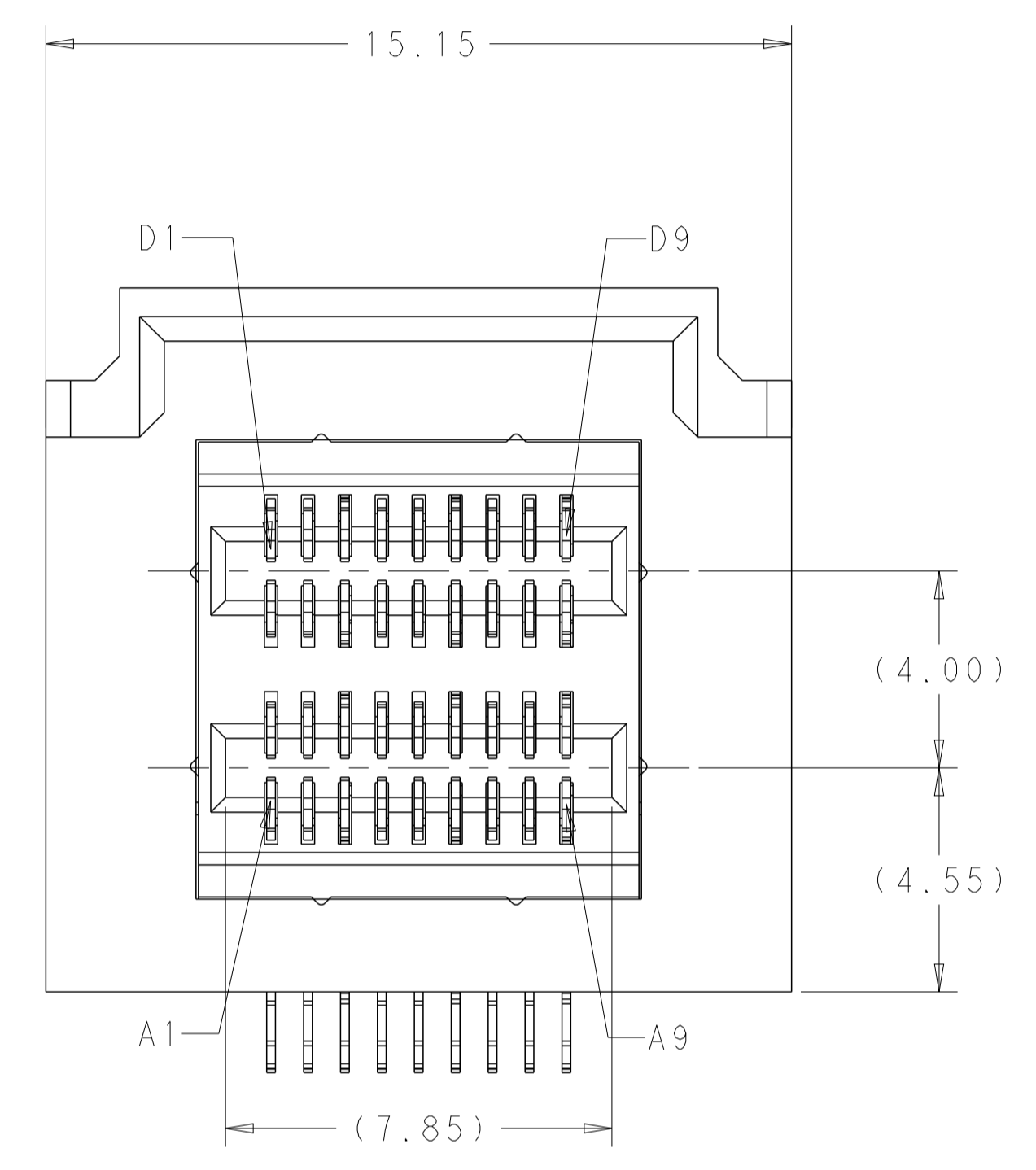
Email & Skype: info@chipsmall.com Web: www.chipsmall.com

Address: A1208, Overseas Decoration Building, #122 Zhenhua RD., Futian, Shenzhen, China



| LOC |     | DIST                      |           | REVISIONS |      |  |  |
|-----|-----|---------------------------|-----------|-----------|------|--|--|
| P   | LTN | DESCRIPTION               | DATE      | DWN       | APVD |  |  |
| A   |     | REVISED PER ECO-15-000199 | 13JAN2015 | AP        | DG   |  |  |

- ⚠ MATERIALS  
 HOUSINGS AND CHICKLETS: LCP, BLACK, UL94V-0 RATED  
 CONTACTS: COPPER ALLOY
- ⚠ CONTACT FINISH: CONFORMS TO THE REQUIREMENTS OF TE PRODUCT SPECIFICATION, 108-32038 BASED ON EIA/ECA-364-1000.01A. (CONTROLLED ENVIRONMENT APPLICATIONS) ON MATING END. TIN PLATED ON PCB TAIL
- 3. MATES WITH TE PLUG 2227603-1
- 4. MOUNTING HARDWARE M2x1.35 SELF-THREADING SCREW  
 SCREW LENGTH OF FASTENER = PCB THICKNESS + 3.0mm MAX (1.75mm MIN)  
 MOUNTING HARDWARE NOT INCLUDED
- ⚠ RECOMMENDED COMPONENT KEEP OUT ZONE.
- ⚠ PART NUMBER AND DATE CODE MARKED IN APPROXIMATE AREA SHOWN ON OPPOSITE SIDE.

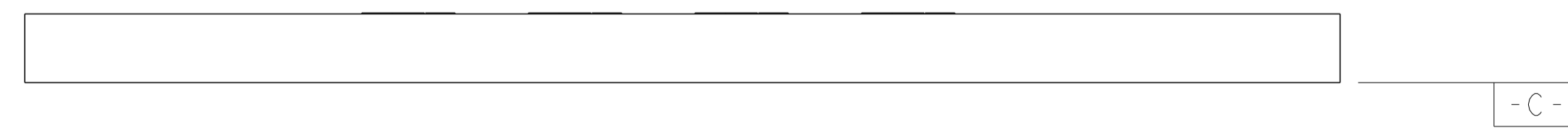
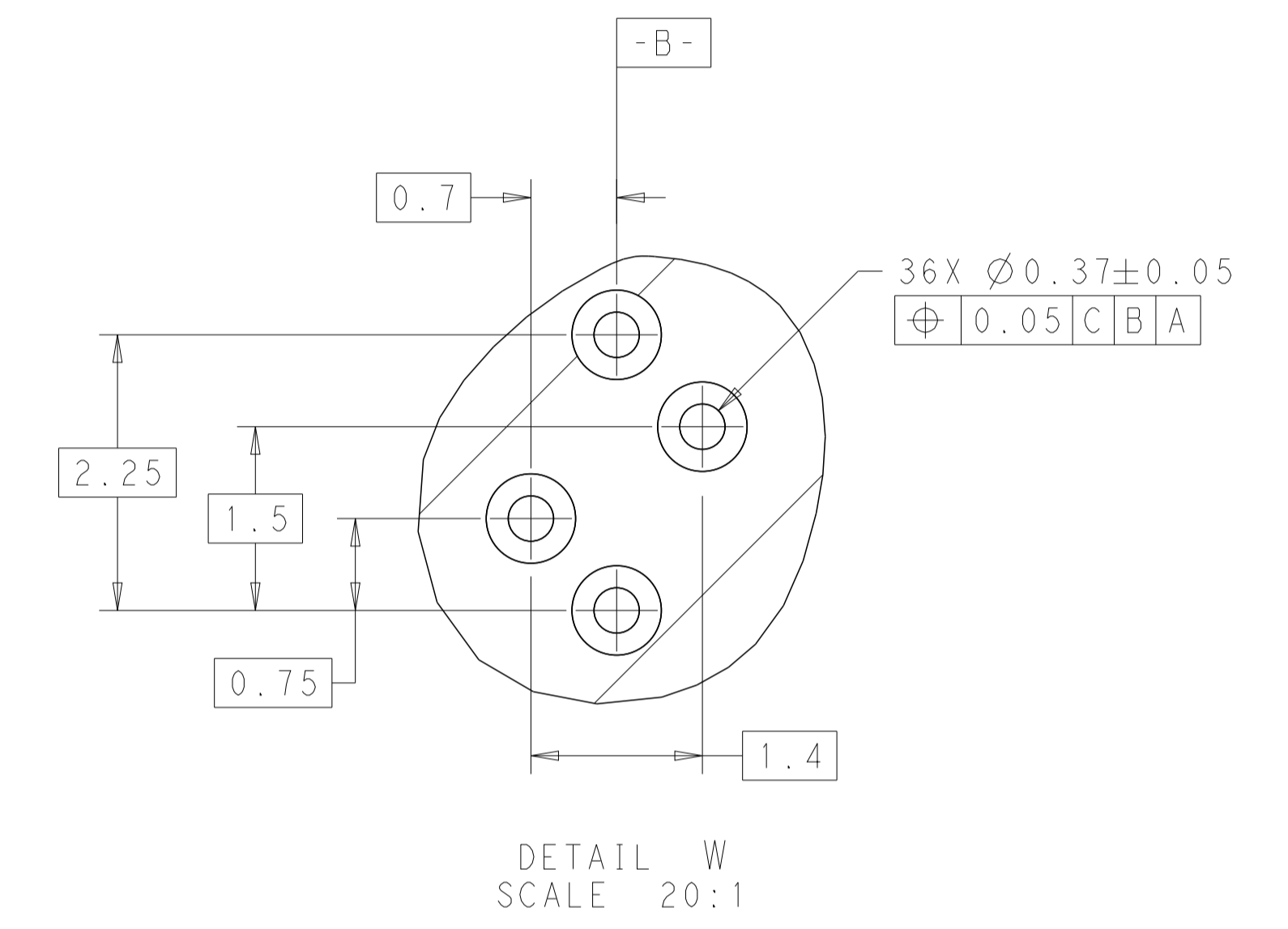
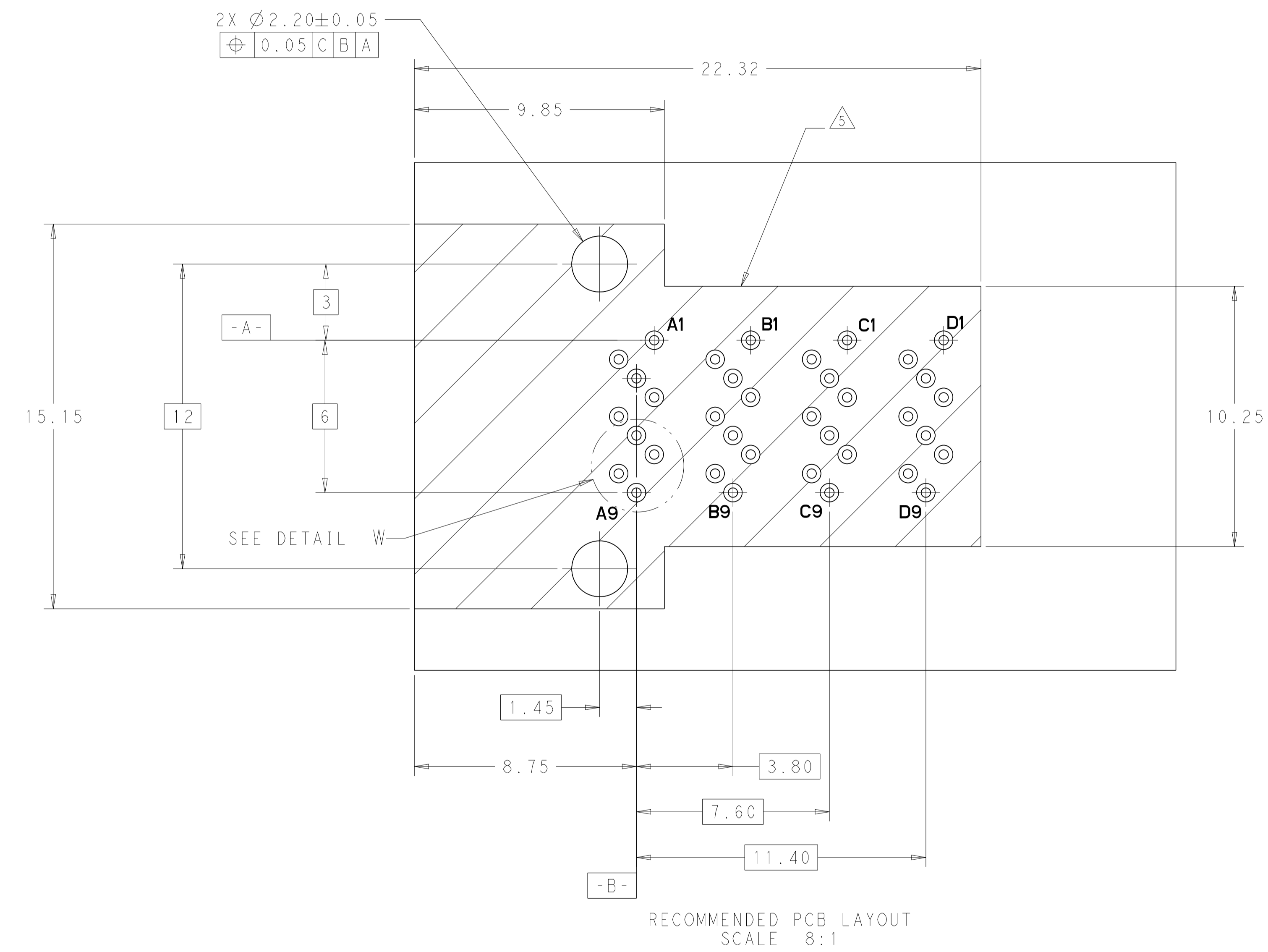


SCALE 6:1

2227580-1  
 PART NUMBER

|  |  |                              |   |  |
|--|--|------------------------------|---|--|
| THIS DRAWING IS A CONTROLLED DOCUMENT. |  | DWN<br>R. TREA<br>13DEC2012  | NAME  |  |
| DIMENSIONS:                            |  | CHK<br>R. HENRY<br>13DEC2012 | RECEPTACLE ASSEMBLY,<br>1X1, RIGHT ANGLE,<br>INTERNAL MINI SAS HD |  |
| TOLERANCES UNLESS OTHERWISE SPECIFIED: |  | APVD                         | RESTRICTED TO   |  |
| mm                                     |  | PRODUCT SPEC                 | SIZE  |  |
| 0 PLC ±                                |  | 108-32038                    | CAGE CODE   |  |
| 2 PLC ±0.13                            |  | APPLICATION SPEC             | DRAWING NO  |  |
| 3 PLC ±                                |  | 114-32101                    | A1  |  |
| 4 PLC ±                                |  | WEIGHT                       | SCALE   |  |
| ANGLES ±                               |  |                              | 8:1   |  |
| FINISH                                 |  |                              | SHEET   |  |
| MATERIAL                               |  |                              | 1 OF 2  |  |
| : ⚠                                    |  | Customer Drawing             | REV A   |  |

| LOC | DIST | REVISIONS |     |             |      |     |      |
|-----|------|-----------|-----|-------------|------|-----|------|
| GP  | 00   | P         | LTN | DESCRIPTION | DATE | DMN | APVD |
| -   | -    | -         | -   | SEE SHEET 1 | -    | -   | -    |
|     |      |           |     |             |      |     |      |
|     |      |           |     |             |      |     |      |



|  |  |                           |                              |
|--|--|---------------------------|------------------------------|
| THIS DRAWING IS A CONTROLLED DOCUMENT. |  | DMN R. TREA 13DEC2012     | TE Connectivity              |
|  |  | CHK R. HENRY 13DEC2012    |                              |
| DIMENSIONS:                            | TOLERANCES UNLESS OTHERWISE SPECIFIED: | APVD -                    | NAME                         |
| mm                                     | 0 PLC ±                                | PRODUCT SPEC              | RECEPTACLE ASSEMBLY,         |
|  | 1 PLC ±                                | 108-32038                 | 1X1, RIGHT ANGLE,            |
|  | 2 PLC ±0.13                            | APPLICATION SPEC          | INTERNAL MINI SAS HD         |
|  | 3 PLC ±                                | SIZE CAGE CODE DRAWING NO | RESTRICTED TO                |
|  | 4 PLC ±                                | 114-32101                 | A1 - C=2227580               |
|  | ANGLES ±                               | WEIGHT                    | SCALE 8:1 SHEET 2 OF 2 REV A |
| MATERIAL                               | FINISH                                 | Customer Drawing          |                              |