



Chipsmall Limited consists of a professional team with an average of over 10 year of expertise in the distribution of electronic components. Based in Hongkong, we have already established firm and mutual-benefit business relationships with customers from,Europe,America and south Asia,supplying obsolete and hard-to-find components to meet their specific needs.

With the principle of “Quality Parts,Customers Priority,Honest Operation,and Considerate Service”,our business mainly focus on the distribution of electronic components. Line cards we deal with include Microchip,ALPS,ROHM,Xilinx,Pulse,ON,Everlight and Freescale. Main products comprise IC,Modules,Potentiometer,IC Socket,Relay,Connector.Our parts cover such applications as commercial,industrial, and automotives areas.

We are looking forward to setting up business relationship with you and hope to provide you with the best service and solution. Let us make a better world for our industry!



Contact us

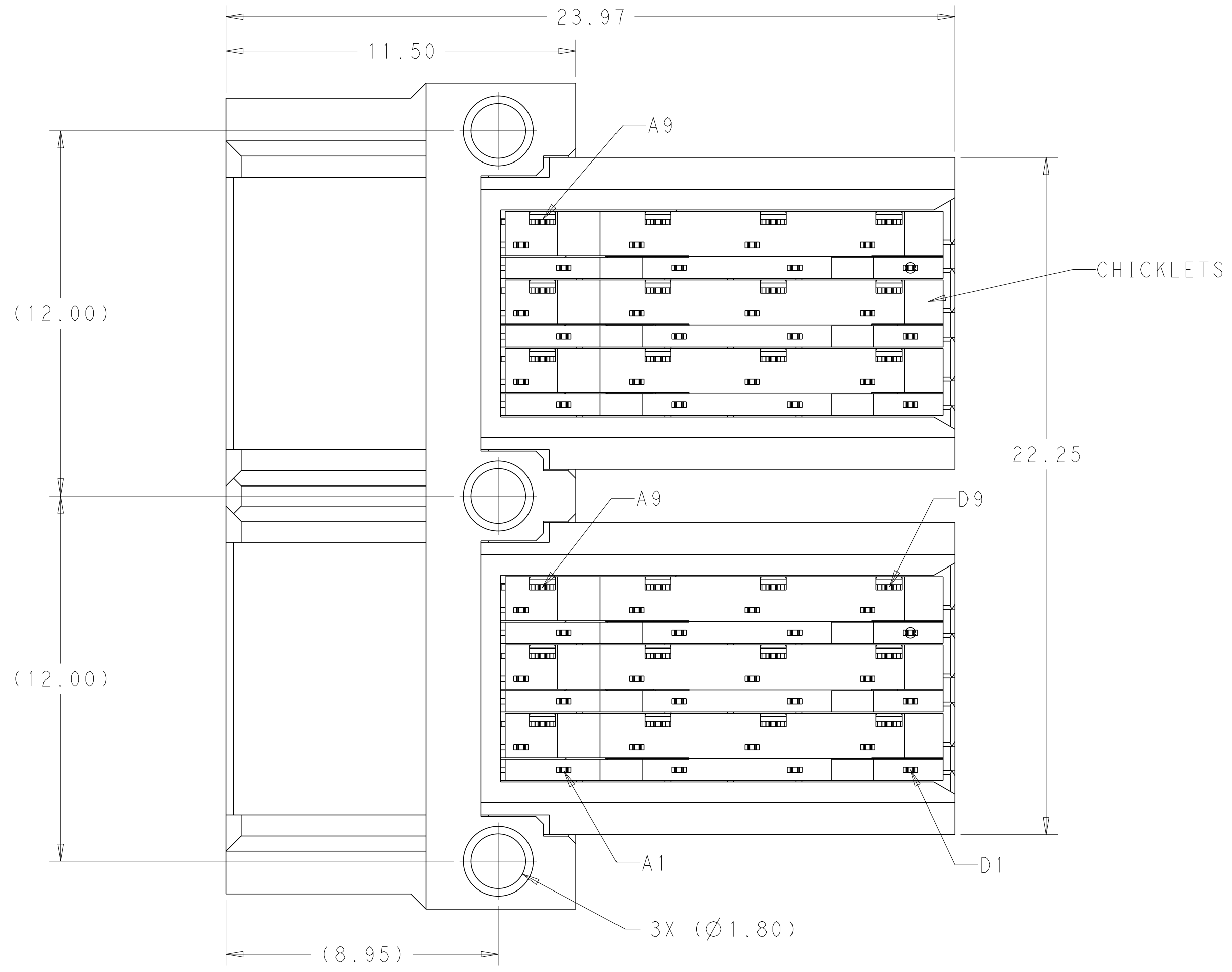
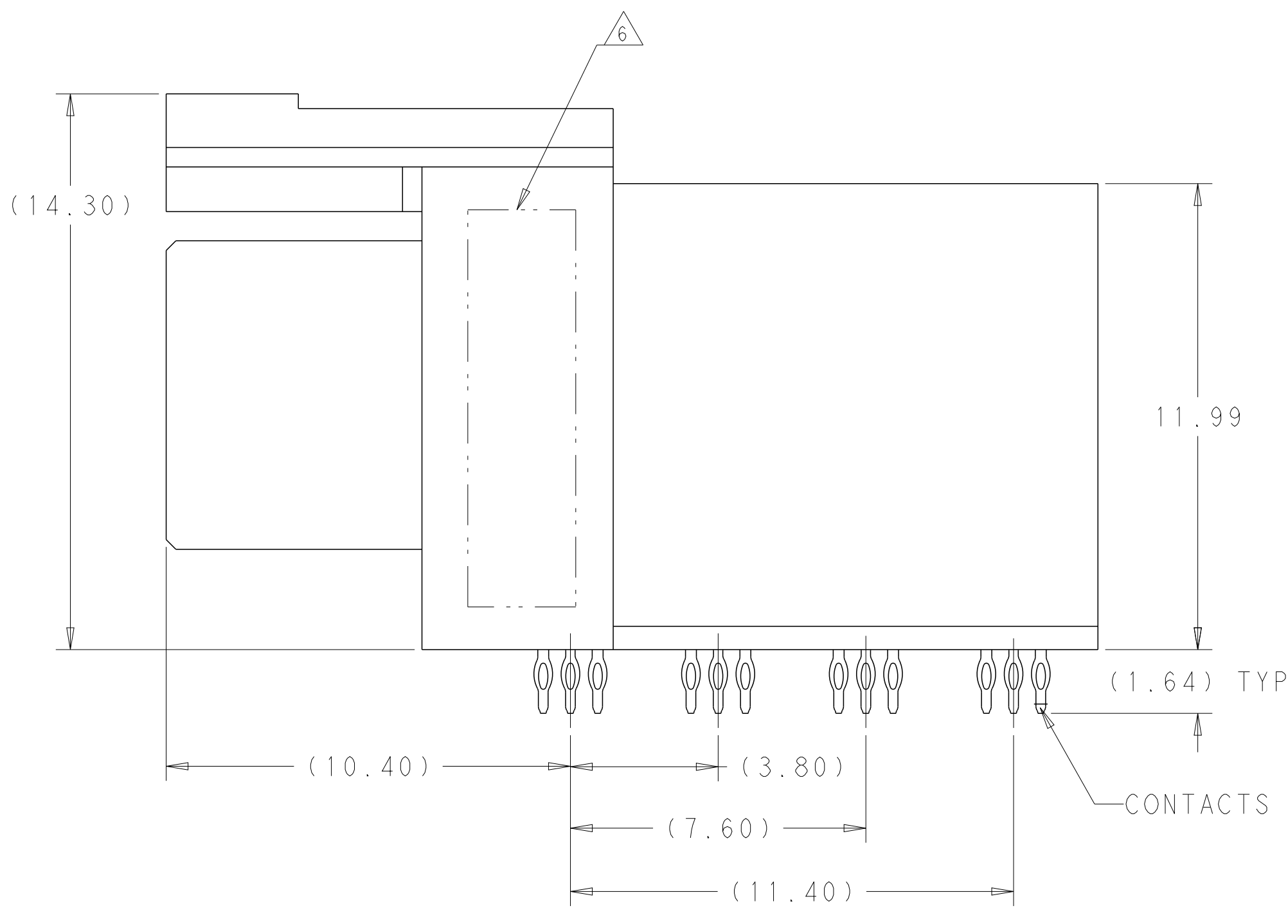
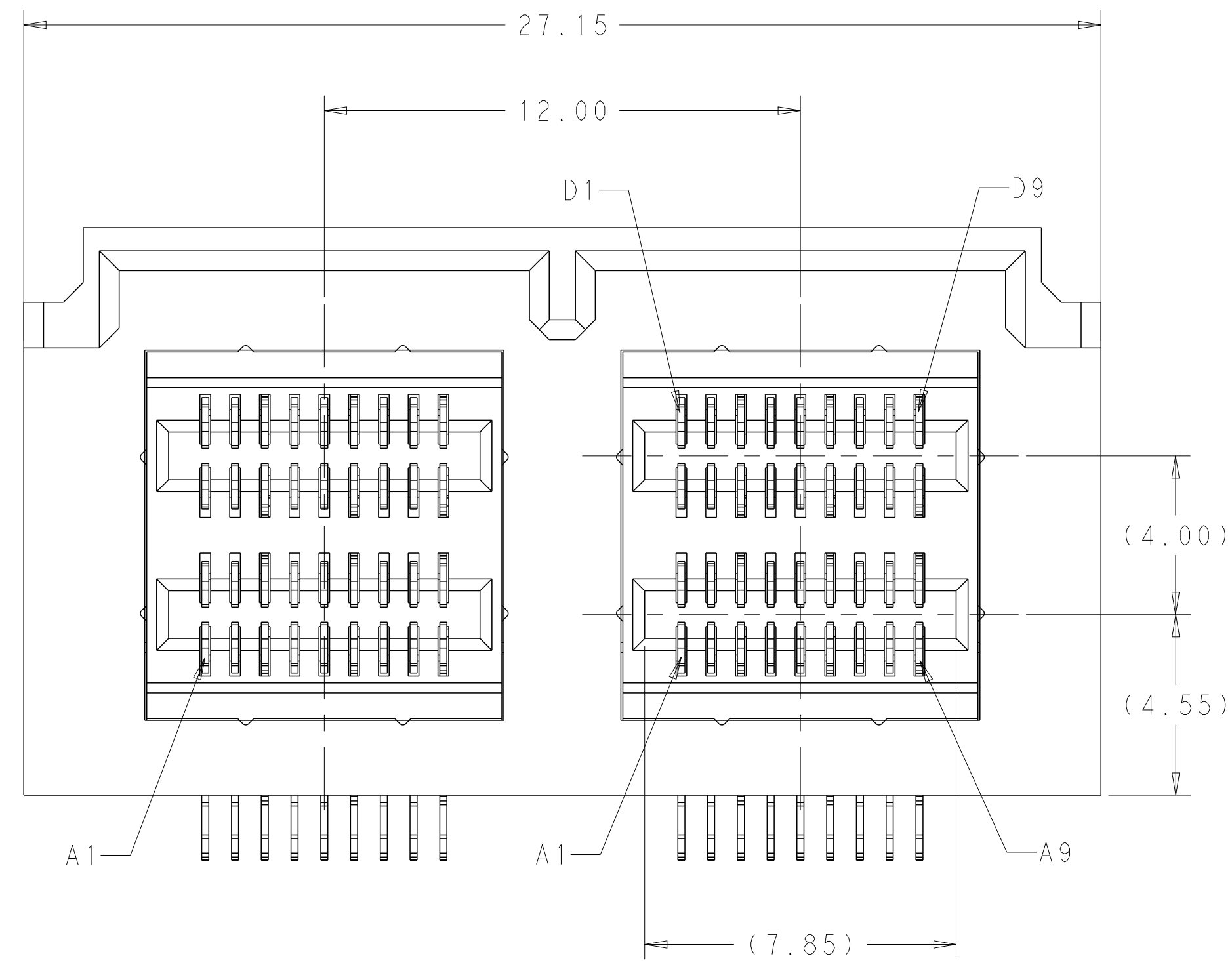
Tel: +86-755-8981 8866 Fax: +86-755-8427 6832

Email & Skype: info@chipsmall.com Web: www.chipsmall.com

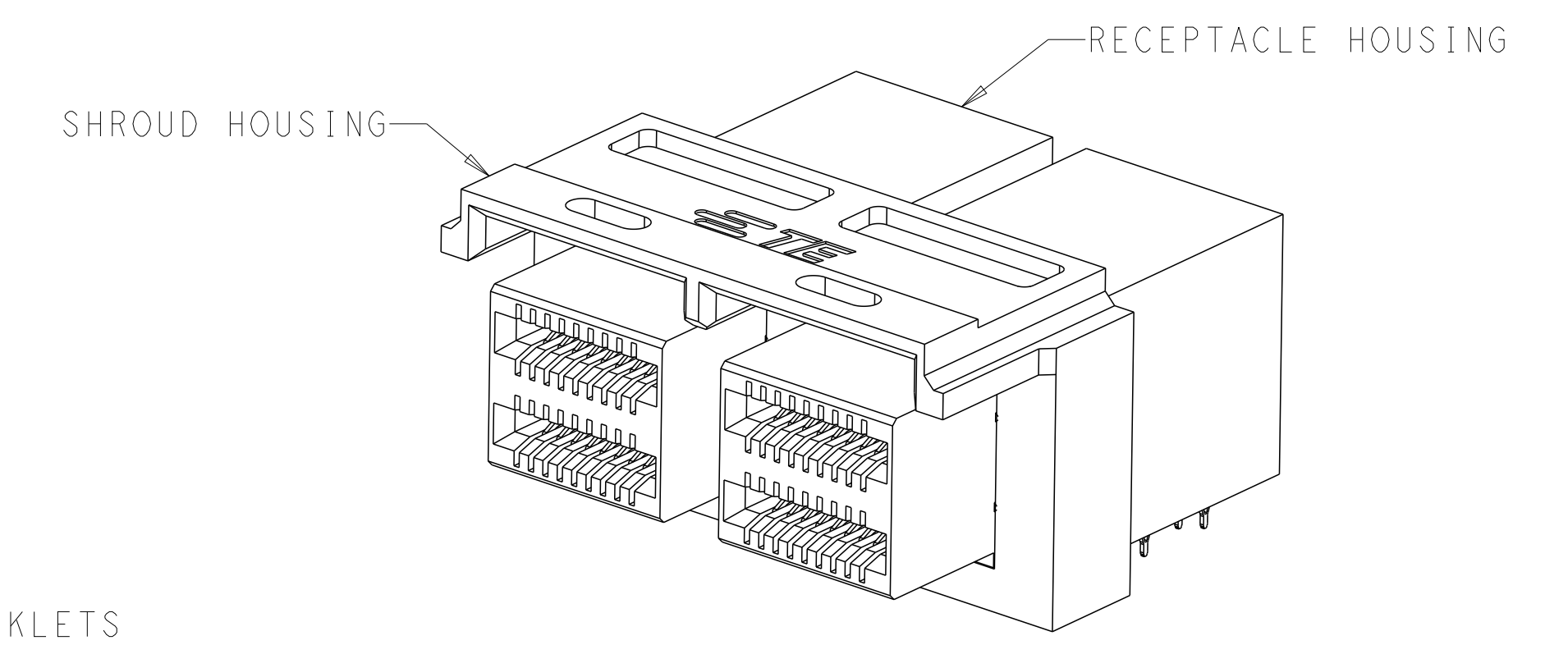
Address: A1208, Overseas Decoration Building, #122 Zhenhua RD., Futian, Shenzhen, China



LOC	DIST	REVISIONS			
P	LTN	DESCRIPTION	DATE	DMN	APVD
A		REVISED PER ECO-15-000199	13JAN2015	AP	DG



- ⚠ MATERIALS
 HOUSINGS AND CHICKLETS: LCP, BLACK, UL94V-0 RATED
 CONTACTS: COPPER ALLOY
- ⚠ CONTACT FINISH: CONFORMS TO THE REQUIREMENTS OF TE PRODUCT SPECIFICATION, 108-32038. BASED ON EIA/ECA-364-1000.01A. (CONTROLLED ENVIRONMENT APPLICATIONS) ON MATING END. TIN PLATED ON PCB TAIL
- 3. MATES WITH TE PLUG 2227603-1
- 4. MOUNTING HARDWARE M2x1.35 SELF-THREADING SCREW
 SCREW LENGTH OF FASTENER = PCB THICKNESS + 3.0mm MAX (1.75mm MIN)
 MOUNTING HARDWARE NOT INCLUDED
- ⚠ 5. RECOMMENDED COMPONENT KEEP OUT ZONE.
- ⚠ 6. PART NUMBER AND DATE CODE MARKED IN APPROXIMATE AREA SHOWN ON OPPOSITE SIDE.

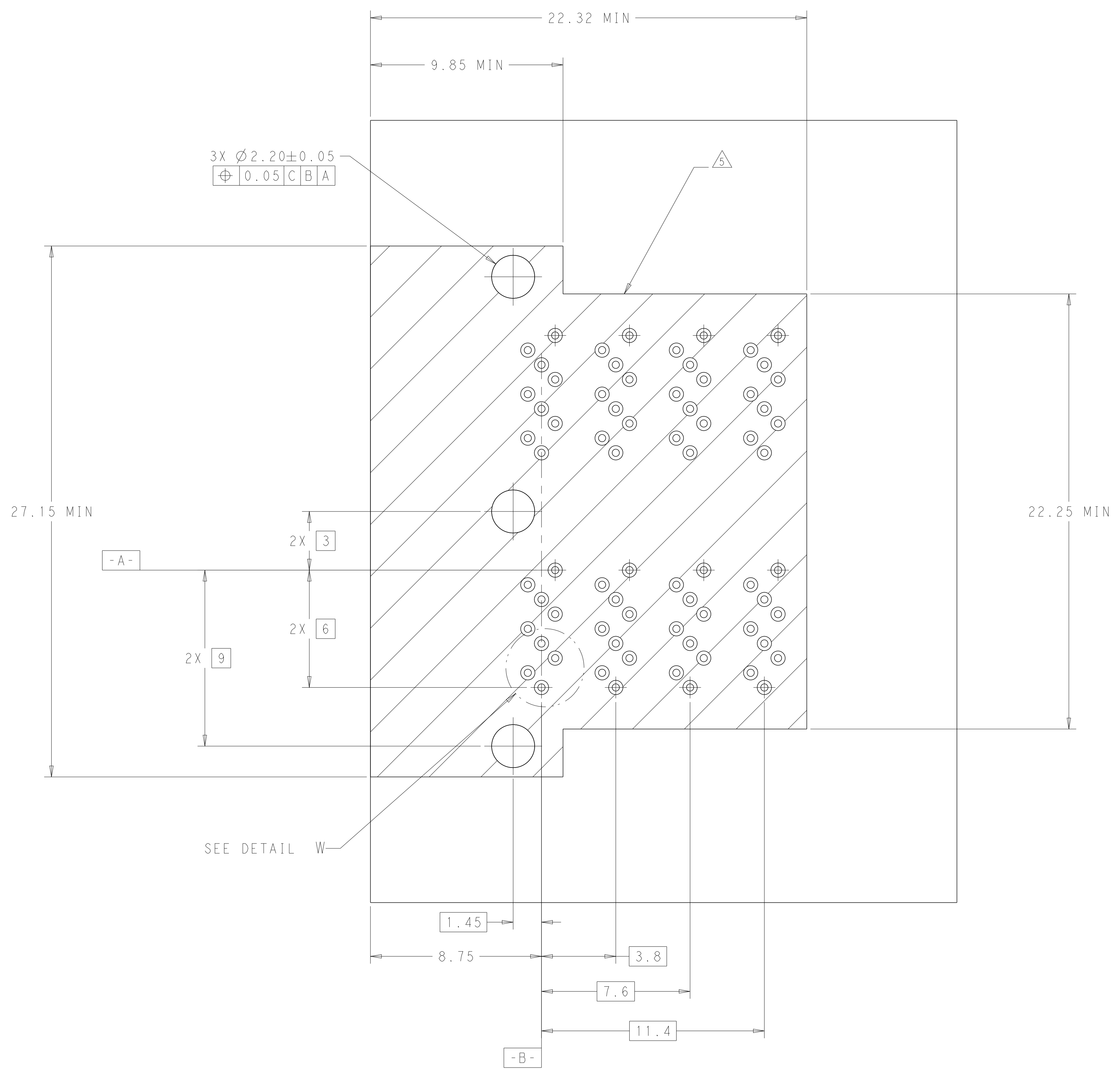


SCALE 4:1

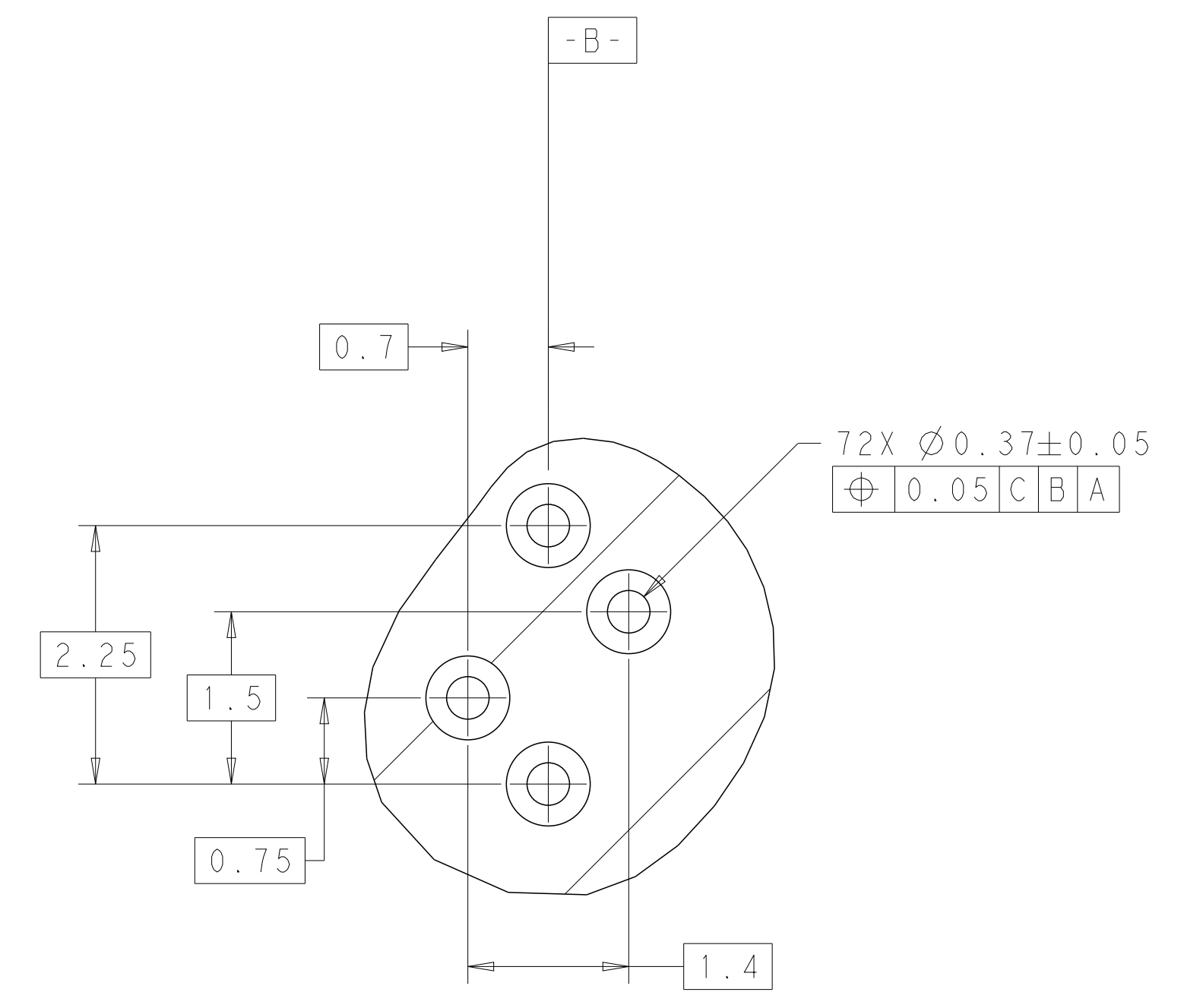
2227581-1
 PART NUMBER

THIS DRAWING IS A CONTROLLED DOCUMENT.		DMN R. IREA 19DEC2012	TE Connectivity	
DIMENSIONS:		CHK R. HENRY 19DEC2012	NAME	
TOLERANCES UNLESS OTHERWISE SPECIFIED:		APVD	PRODUCT SPEC	
mm			108-32038	
0 PLC ±			APPLICATION SPEC	
2 PLC ±0.13			114-32101	
3 PLC ±			SIZE CAGE CODE DRAWING NO	
4 PLC ±			A1 00779 C=2227581	
ANGLES ±			RESTRICTED TO	
FINISH			WEIGHT	
MATERIAL			Customer Drawing	
SCALE 8:1		SHEET 1 OF 2		REV A

LOC	DIST	REVISIONS			
P	LYN	DESCRIPTION	DATE	DWN	APVD
GP	00	SEE SHEET 1			



RECOMMENDED PCB LAYOUT
 SCALE 8:1



DETAIL W
 SCALE 20:1

- C -

THIS DRAWING IS A CONTROLLED DOCUMENT.		DWN R. IREA 19DEC2012	TE Connectivity
DIMENSIONS: mm		CHK R. HENRY 19DEC2012	
TOLERANCES UNLESS OTHERWISE SPECIFIED: 0 PLC ± 1 PLC ±0.13 2 PLC ± 3 PLC ± 4 PLC ± ANGLES ± FINISH ±		APVD	NAME
MATERIAL		PRODUCT SPEC	RECEPTACLE ASSEMBLY, 1X2, RIGHT ANGLE, INTERNAL MINI-SAS HD
FINISH		APPLICATION SPEC	RESTRICTED TO
		114-32101	SIZE CAGE CODE DRAWING NO
		WEIGHT	A100779C=2227581
		Customer Drawing	SCALE 8:1 SHEET 2 OF 2 REV A