



Chipsmall Limited consists of a professional team with an average of over 10 year of expertise in the distribution of electronic components. Based in Hongkong, we have already established firm and mutual-benefit business relationships with customers from,Europe,America and south Asia,supplying obsolete and hard-to-find components to meet their specific needs.

With the principle of "Quality Parts,Customers Priority,Honest Operation,and Considerate Service",our business mainly focus on the distribution of electronic components. Line cards we deal with include Microchip,ALPS,ROHM,Xilinx,Pulse,ON,Everlight and Freescale. Main products comprise IC,Modules,Potentiometer,IC Socket,Relay,Connector.Our parts cover such applications as commercial,industrial, and automotives areas.

We are looking forward to setting up business relationship with you and hope to provide you with the best service and solution. Let us make a better world for our industry!



Contact us

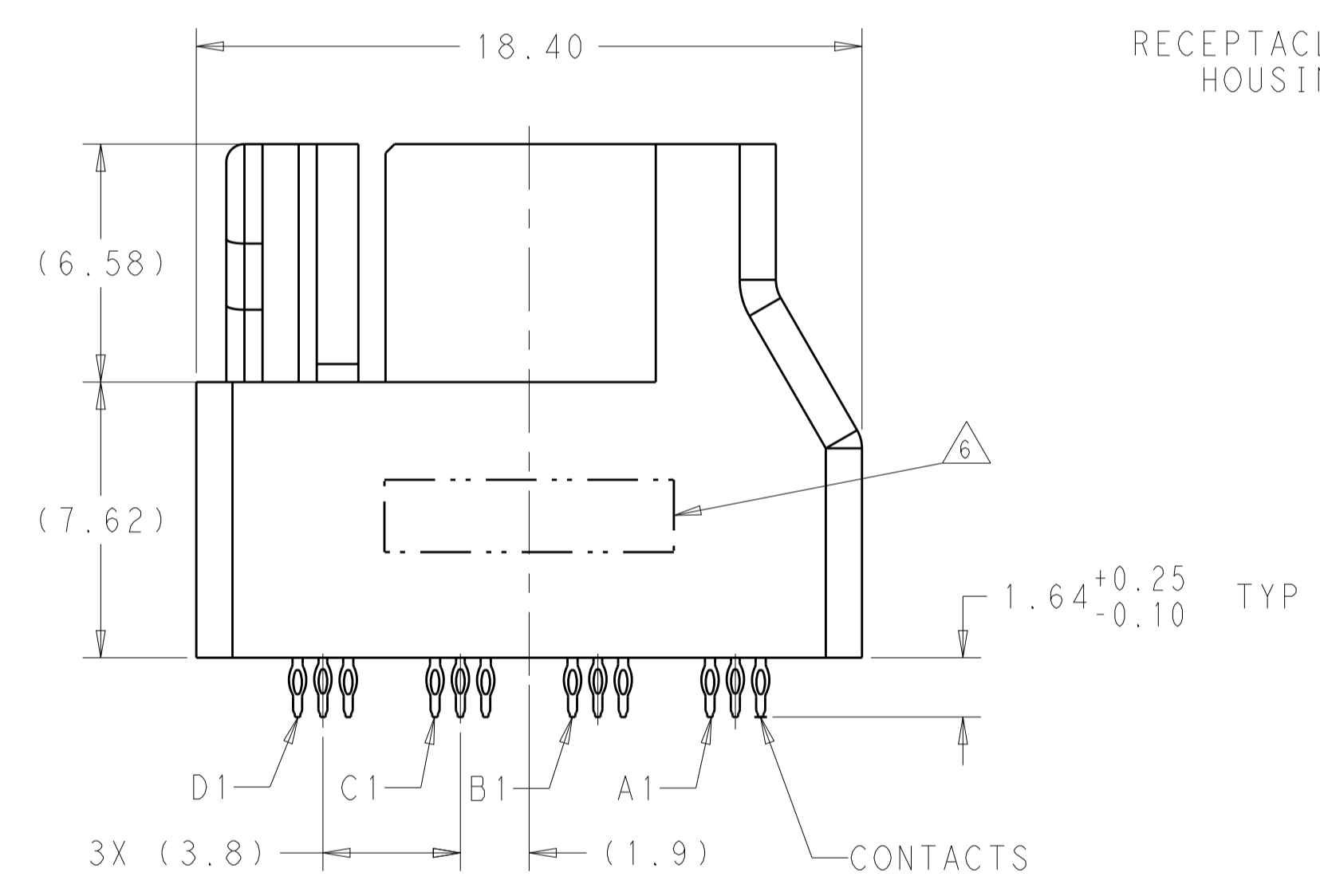
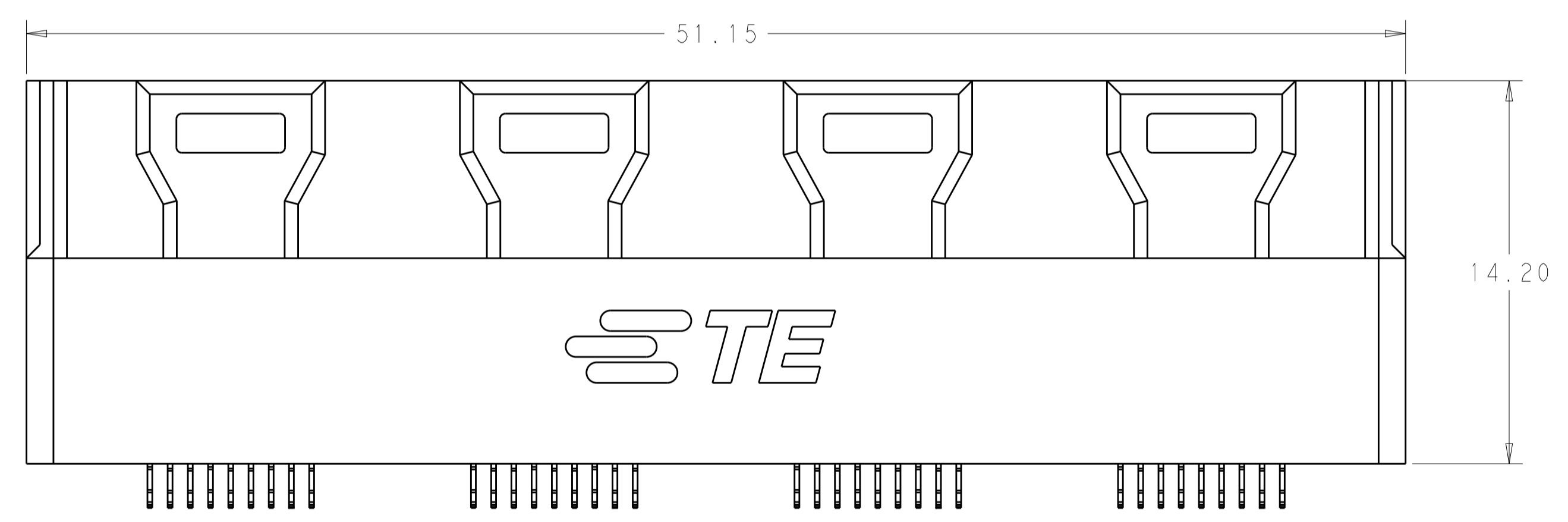
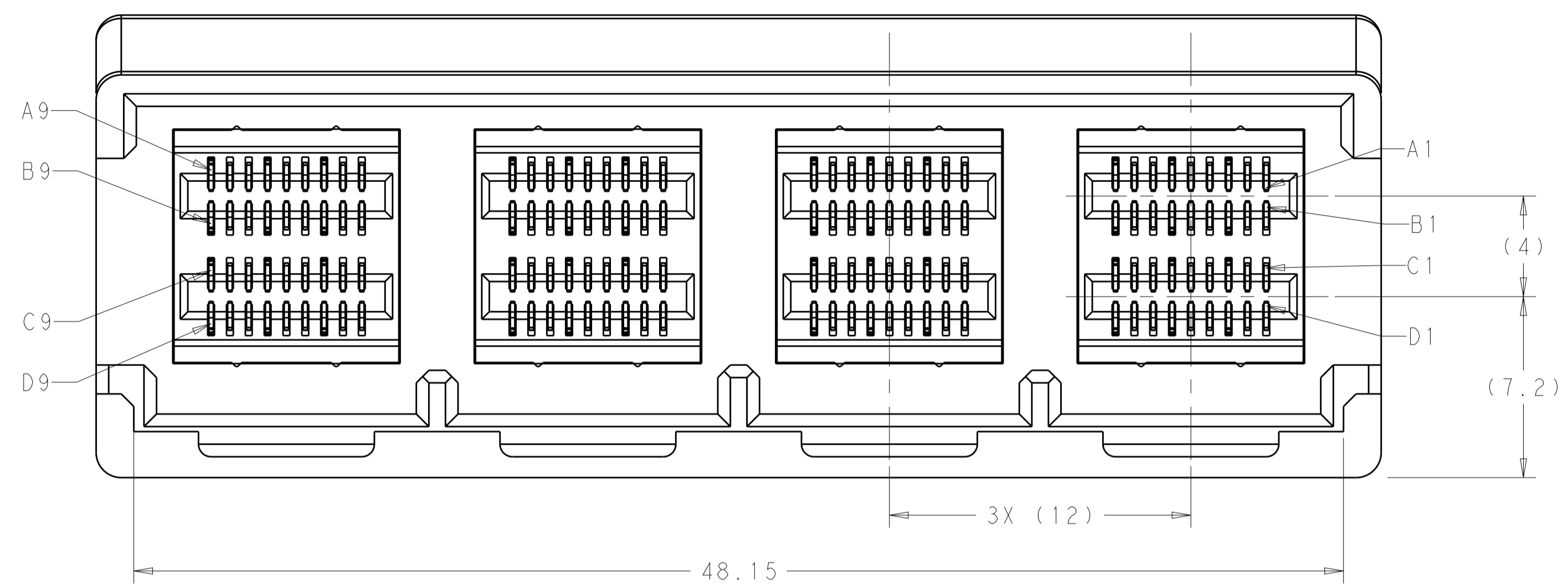
Tel: +86-755-8981 8866 Fax: +86-755-8427 6832

Email & Skype: info@chipsmall.com Web: www.chipsmall.com

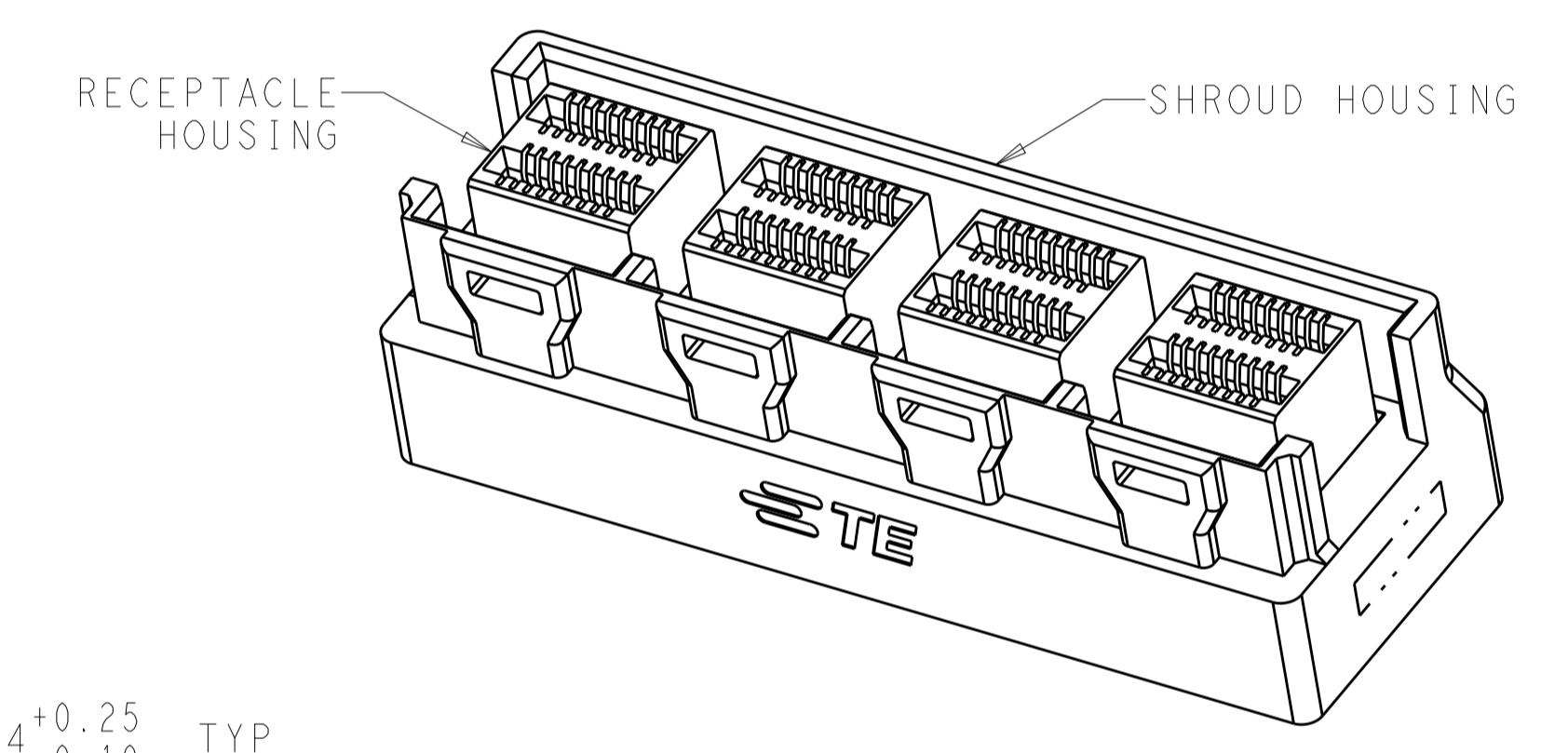
Address: A1208, Overseas Decoration Building, #122 Zhenhua RD., Futian, Shenzhen, China



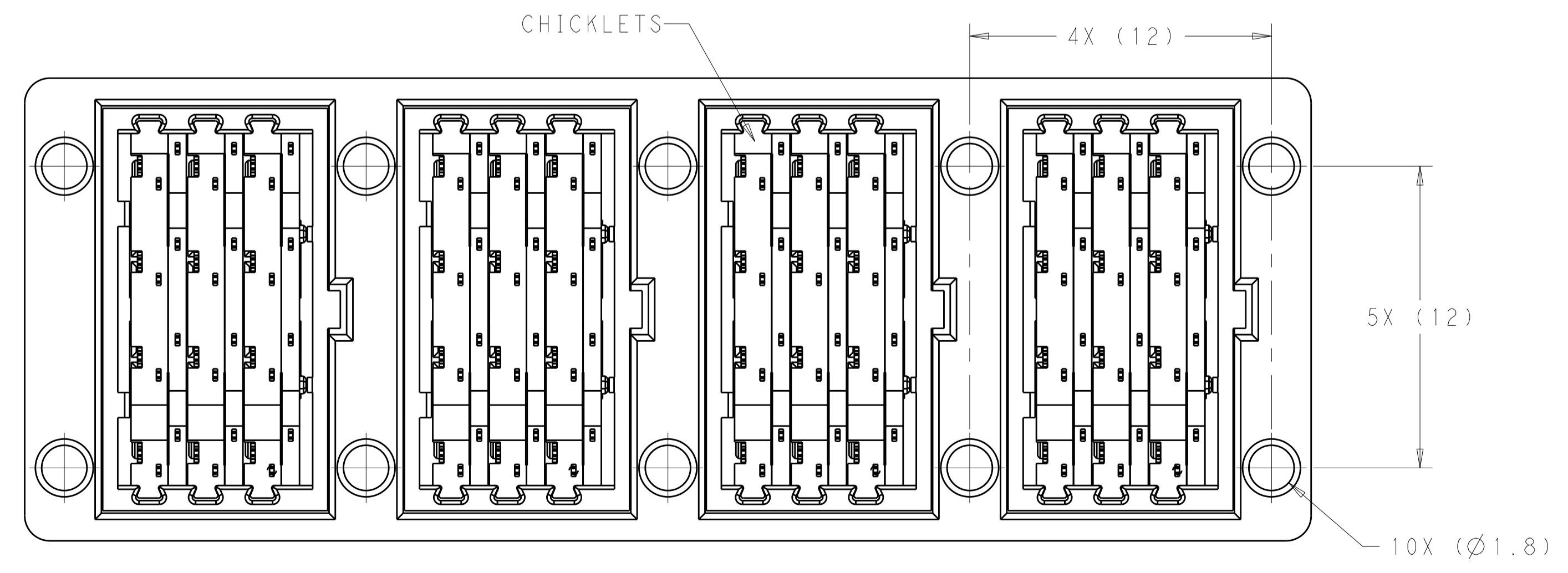
| LOC | | DIST | | REVISIONS | | | |
|-----|----|------|-----|---------------------------|-----------|-----|------|
| GP | 00 | P | LTN | DESCRIPTION | DATE | DWN | APVD |
| | | A | | REVISED PER ECO-15-000199 | 13JAN2015 | AP | DG |



- △ HOUSINGS AND CHICKLETS: LCP, BLACK, UL94V-0 RATED. CONTACTS: COPPER ALLOY.
- △ CONFORMS TO THE REQUIREMENTS OF TE PRODUCT SPECIFICATION, 108-32038 BASED ON EIA/ECA-364-1000.01A (CONTROLLED ENVIRONMENT APPLICATIONS) ON MATING END. TIN PLATED ON PCB TAIL.
- 3. MATES WITH TE PLUG 2227603-1.
- 4. MOUNTING HARDWARE M2x1.35 SELF-THREADING SCREW. SCREW LENGTH OF FASTENER = PCB THICKNESS + 3.0mm MAX (1.75mm MIN) MOUNTING HARDWARE NOT INCLUDED.
- △ RECOMMENDED COMPONENT KEEP OUT ZONE.
- △ PART NUMBER AND DATE CODE MARKED IN APPROXIMATE AREA SHOWN.



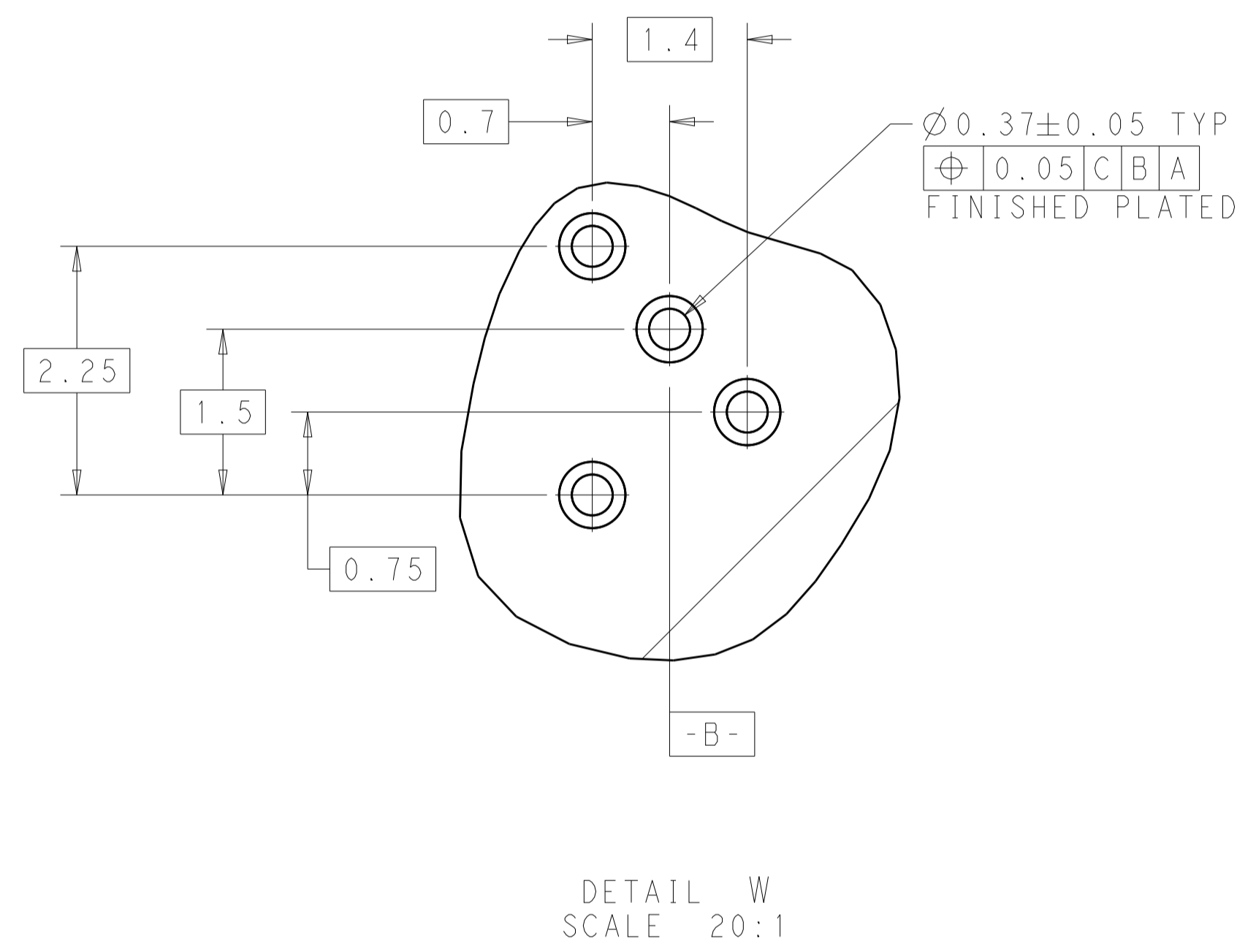
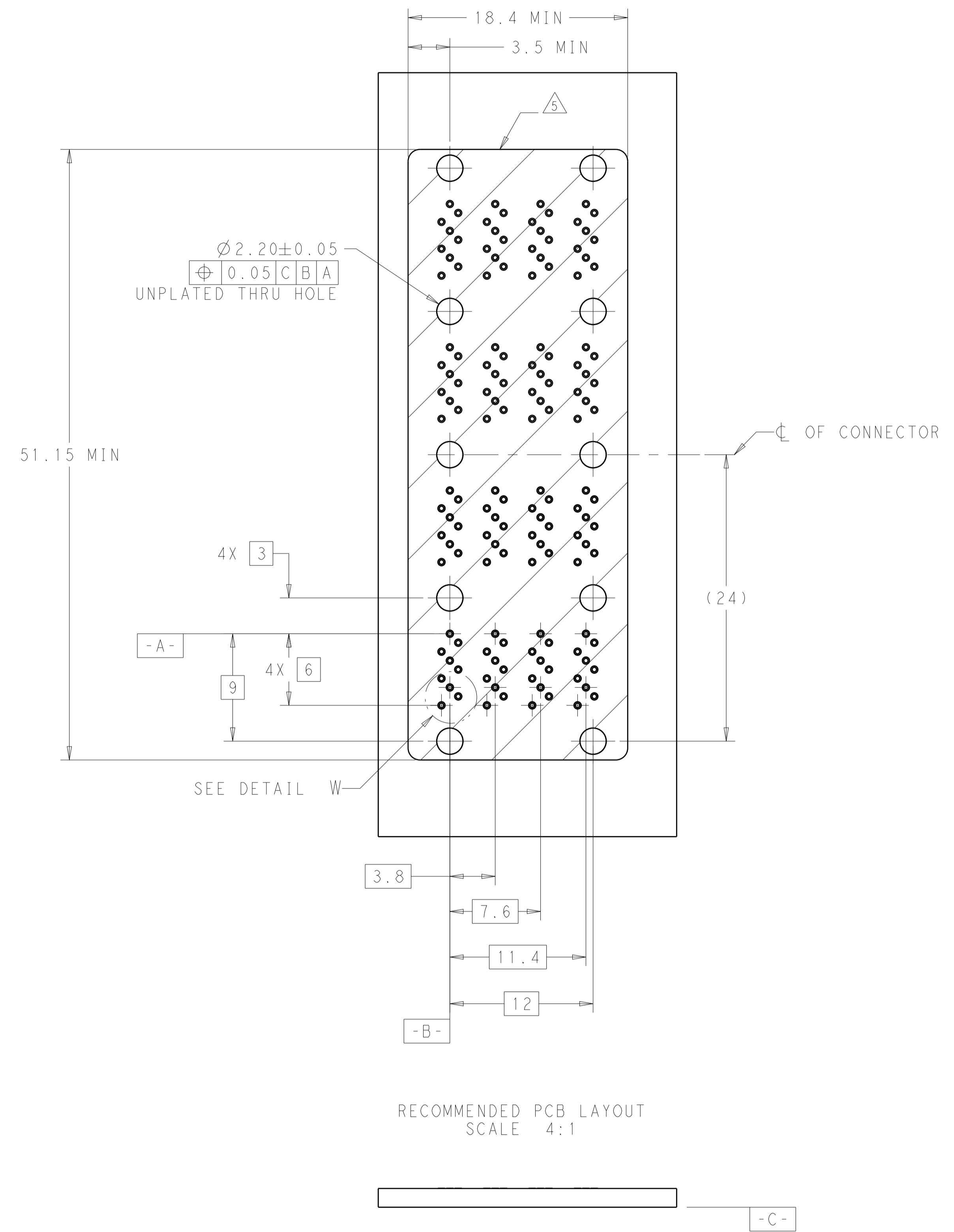
SCALE 3:1



2227642-1
PART NUMBER

| | | | | |
|--|--------------|---|---|-------------------------------|
| THIS DRAWING IS A CONTROLLED DOCUMENT. | | DWN: R. TREA 02JAN2013 | TE Connectivity NAME: RECEPTACLE ASSEMBLY, 1X4, VERTICAL, INTERNAL MINI SAS HD | |
| DIMENSIONS: | | CHK: R. HENRY 02JAN2013 | | |
| TOLERANCES UNLESS OTHERWISE SPECIFIED: | | APVD: - | APPLICATION SPEC: 114-32101 | RESTRICTED TO: - |
| mm | 0 PLC ± | SIZE: CAGE CODE: DRAWING NO: A100779C=2227642 | | SCALE: 6:1 SHEET 1 OF 2 REV A |
| | 1 PLC ±.1 | WEIGHT: - | | |
| | 2 PLC ±.13 | CUSTOMER DRAWING | | |
| | 3 PLC ±0.013 | | | |
| | 4 PLC ± | | | |
| | ANGLES ± | | | |
| MATERIAL: 1 | FINISH: 2 | | | |

| LOC | DIST | REVISIONS | | | |
|-----|------|-------------|------|-----|------|
| P | LTN | DESCRIPTION | DATE | DWN | APVD |
| - | - | SEE SHEET 1 | - | - | - |
| | | | | | |
| | | | | | |



| | | | | |
|--|--|------------------------------|------------------|------------------------------|
| THIS DRAWING IS A CONTROLLED DOCUMENT. | | DWN R. IREA 02JAN2013 | TE Connectivity | |
| DIMENSIONS: | | CHK R. HENRY 02JAN2013 | NAME | |
| mm | TOLERANCES UNLESS OTHERWISE SPECIFIED: | APVD | PRODUCT SPEC | |
| Ø | 0 PLC ± | | 108-32038 | |
| | 1 PLC ±.13 | | APPLICATION SPEC | |
| | 2 PLC ±0.13 | | SIZE | CAGE CODE DRAWING NO |
| | 3 PLC ±0.013 | | A1 | 00779C=2227642 |
| | 4 PLC ± | | RESTRICTED TO | |
| | ANGLES ± | | 114-32101 | |
| MATERIAL | FINISH | WEIGHT | CUSTOMER DRAWING | SCALE 4:1 SHEET 2 OF 2 REV A |