



Chipsmall Limited consists of a professional team with an average of over 10 year of expertise in the distribution of electronic components. Based in Hongkong, we have already established firm and mutual-benefit business relationships with customers from,Europe,America and south Asia,supplying obsolete and hard-to-find components to meet their specific needs.

With the principle of “Quality Parts,Customers Priority,Honest Operation,and Considerate Service”,our business mainly focus on the distribution of electronic components. Line cards we deal with include Microchip,ALPS,ROHM,Xilinx,Pulse,ON,Everlight and Freescale. Main products comprise IC,Modules,Potentiometer,IC Socket,Relay,Connector.Our parts cover such applications as commercial,industrial, and automotives areas.

We are looking forward to setting up business relationship with you and hope to provide you with the best service and solution. Let us make a better world for our industry!



Contact us

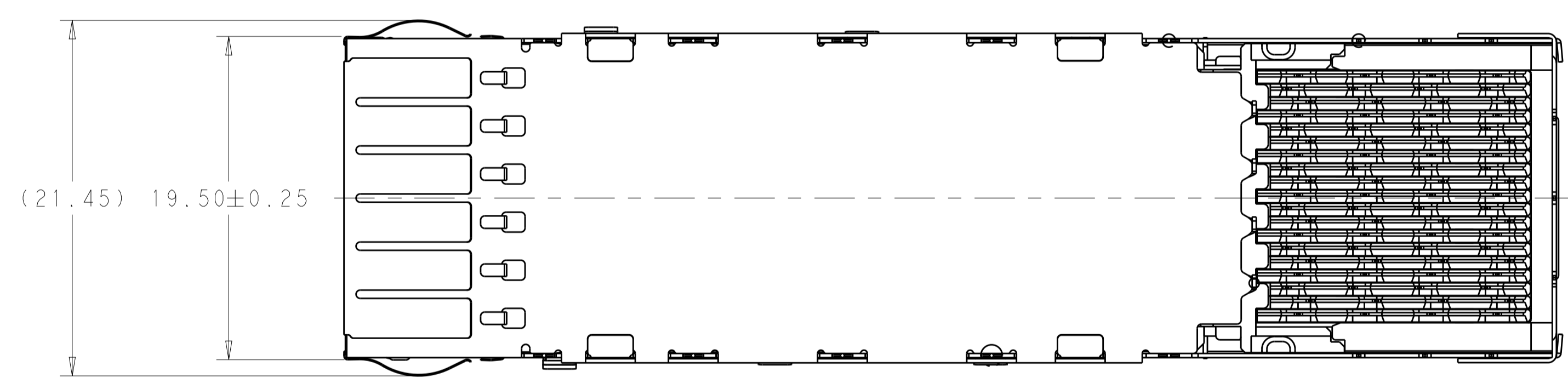
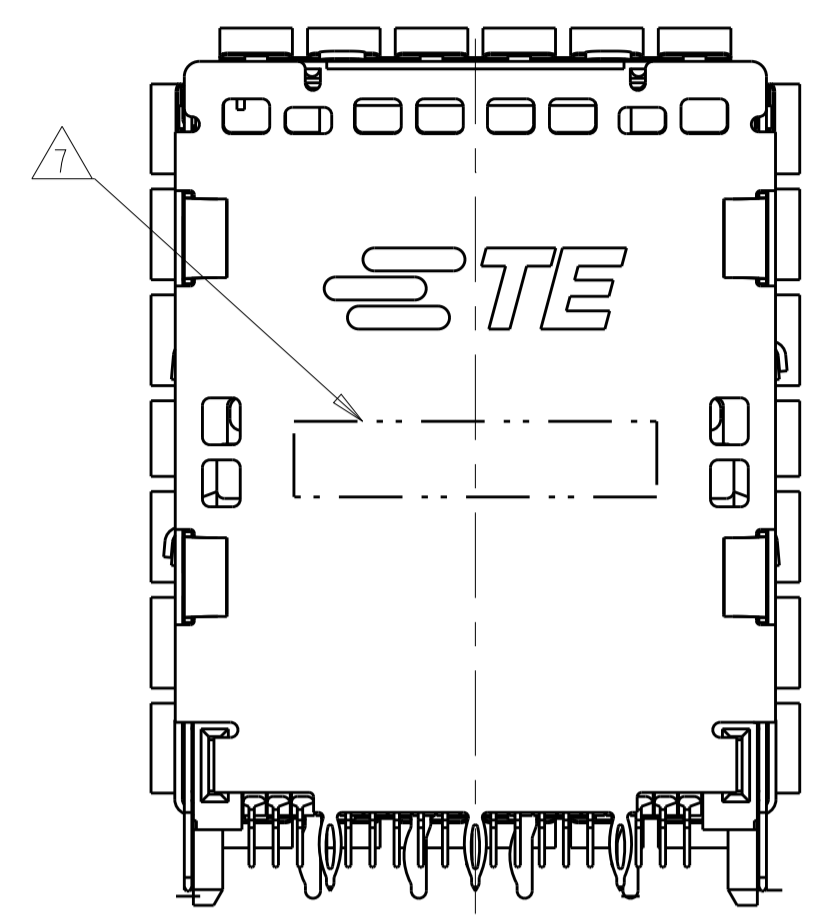
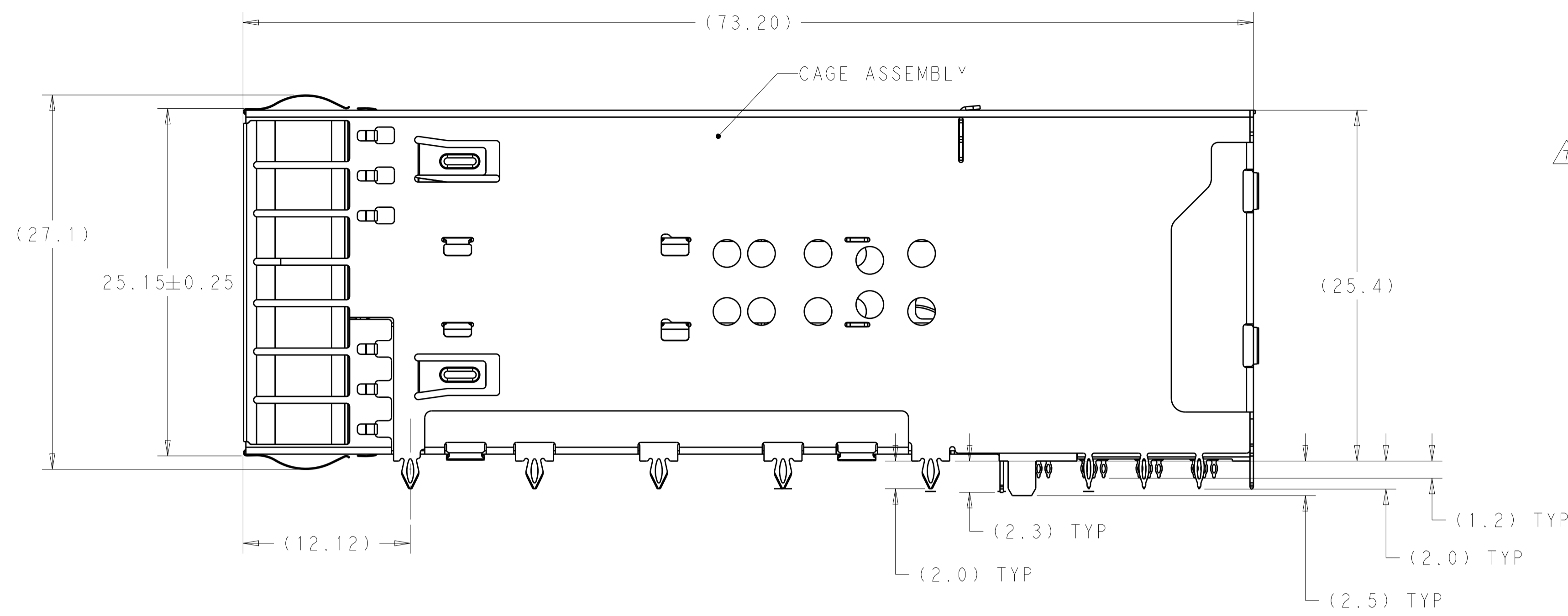
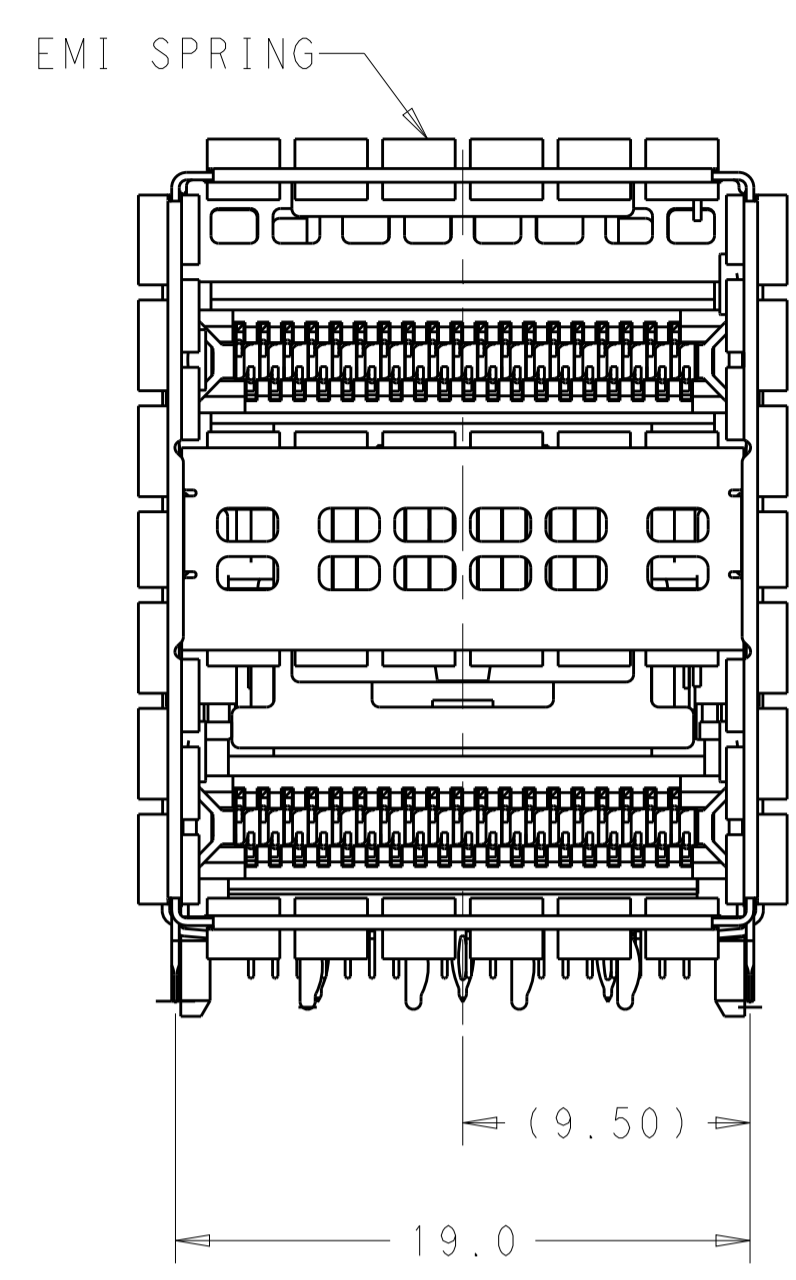
Tel: +86-755-8981 8866 Fax: +86-755-8427 6832

Email & Skype: info@chipsmall.com Web: www.chipsmall.com

Address: A1208, Overseas Decoration Building, #122 Zhenhua RD., Futian, Shenzhen, China



LOC	DIST	REVISIONS			
GP	00	REV	DATE	BY	CHK
		A	RELEASED FOR PRODUCTION	02MAR2016	TX SH



- MATERIALS:
 CAGE ASSEMBLY- NICKEL SILVER ALLOY PER ASTM B 122.
 EMI SPRING- COPPER ALLOY, NICKEL PLATED.
 HOUSING- POLYESTER LCP WITH 94V-0.
 CHICKLET- POLYESTER LCP WITH 94V-0.
 CONTACT- COPPER ALLOY.
 LIGHTPIPE- POLYCARBONATE WITH 94V-0.
- CONTACT FINISH: 0.76µm GOLD ON MATING END, 1.25µm MATT TIN ON SOLDER TAIL, ALL OVER 1.27µm NICKEL.
- DATUM AND BASIC DIMENSION ESTABLISHED BY CUSTOMER.
- MINIMUM PCB THICKNESS OF 1.57.
- THE ENTIRE AREA OF THE CONNECTOR FOOTPRINT, INDICATED BY THE DASHED LINE, TO BE CONSIDERED THE KEEPOUT AREA FOR COMPONENTS.
- CROSS-HATCHED AREAS REPRESENT ZONES ON THE PCB THAT COME IN CONTACT WITH OR BE IN CLOSE PROXIMITY TO THE PLASTIC HOUSING OR THE CONNECTOR CAGE. INDICATED AREAS TO BE CONSIDERED TRACE FREE.
- PART NUMBER AND DATE CODE MADE IN APPROXIMATE AREA SHOWN.
- CONTACT FINISH: 0.08µm MINIMUM GOLD OVER 0.68µm PALLADIUM-NICKEL ON MATING END, 1.25µm MATT TIN ON SOLDER TAIL, ALL OVER 1.27µm NICKEL.
- HATCHED AREA IS PLACEMENT ZONE FOR LED. LED SHOULD BE CENTERED WITHIN ZONE. RECOMMEND 0805 PACKAGE.

CONTACT FINISH	DESCRIPTION	PART NUMBER
2	ROUND INDICATOR, 4LP	1-2227669-1
2	ALL INDICATOR DOWN, 4LP	1-2227669-0
2	LEFT INDICATOR DOWN, 4LP	2227669-9
2	LEFT INDICATOR UP, 4LP	2227669-8
2	ALL INDICATOR UP, 4LP	2227669-7
8	LEFT INDICATOR DOWN	2227669-6
8	LEFT INDICATOR UP	2227669-5
8	NO LIGHT PIPE	2227669-4
2	LEFT INDICATOR DOWN	2227669-3
2	LEFT INDICATOR UP	2227669-2
2	NO LIGHTPIPE	2227669-1

THIS DRAWING IS A CONTROLLED DOCUMENT.

OWN: M. SHIRK 16JAN2013
 CHK: D. SZCZESNY 16JAN2013
 APVD: -

TE Connectivity

NAME: CAGE AND CONNECTOR ASSEMBLY, WITH EMI SPRING FINGERS, THRU BEZEL, 2X1, ZQSFP+ STACKED

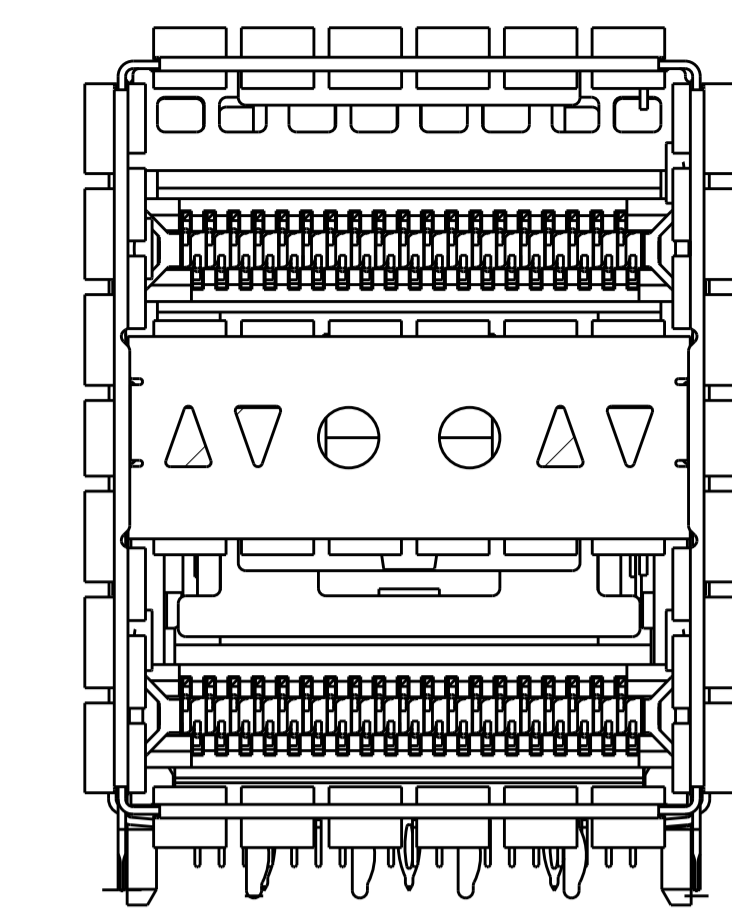
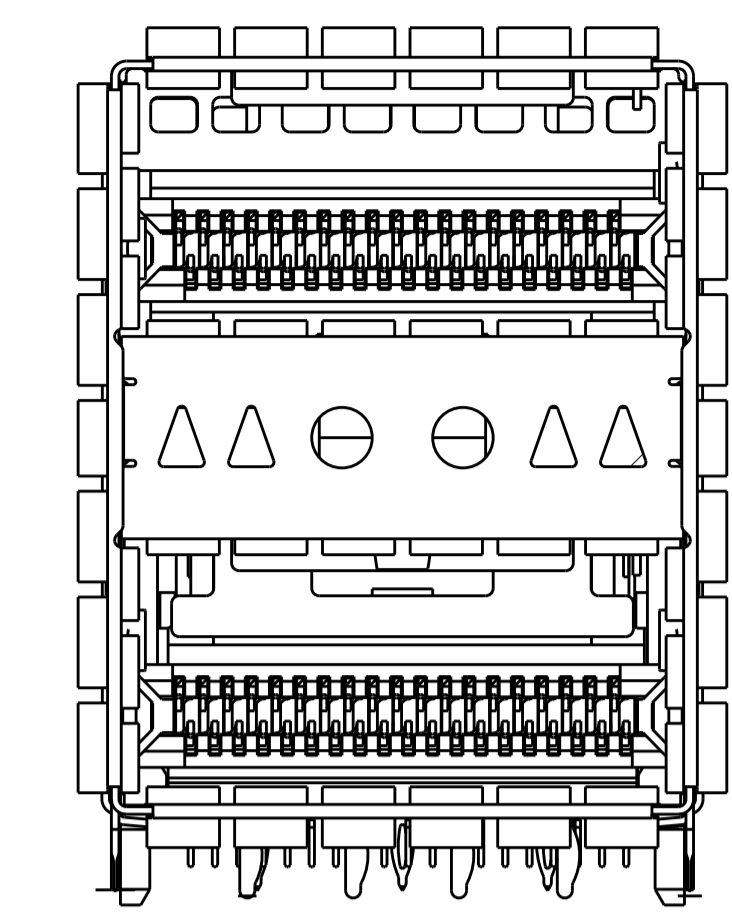
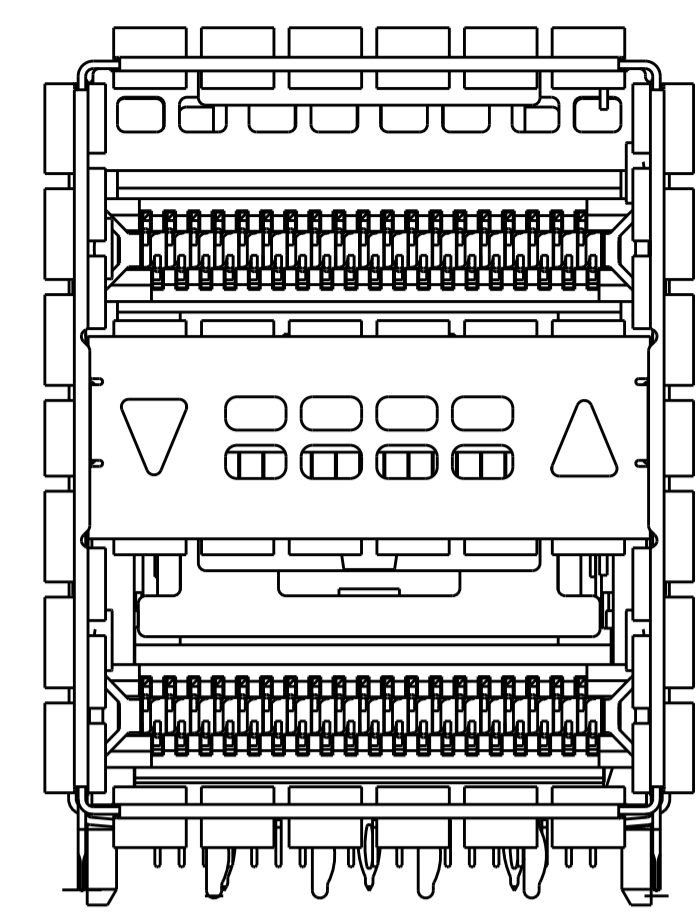
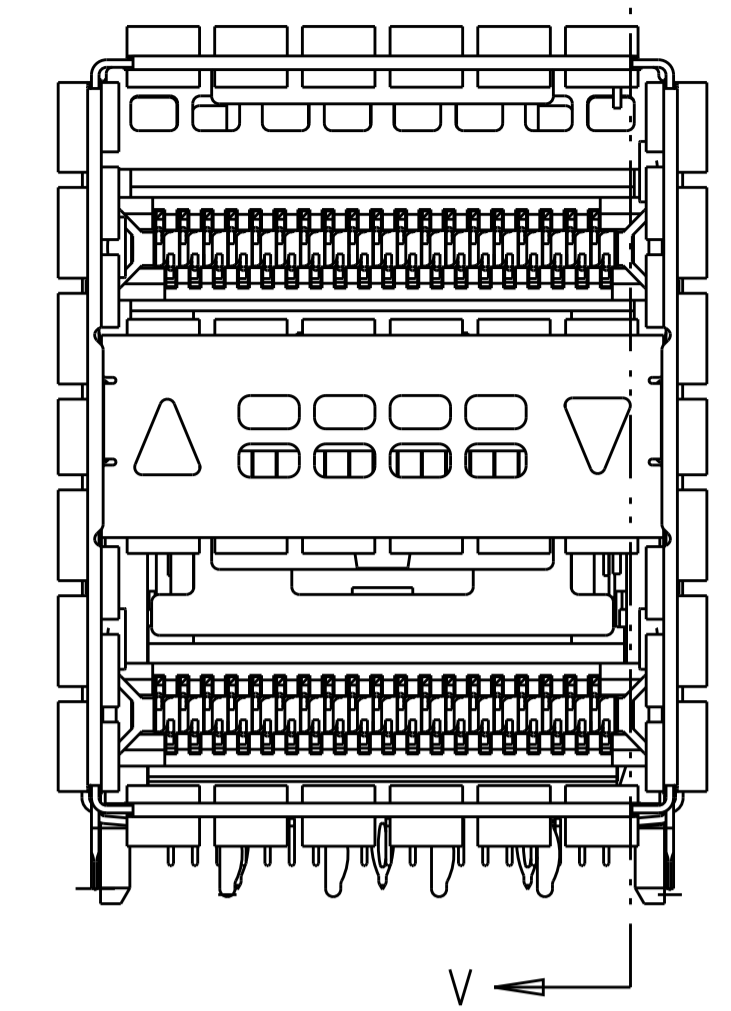
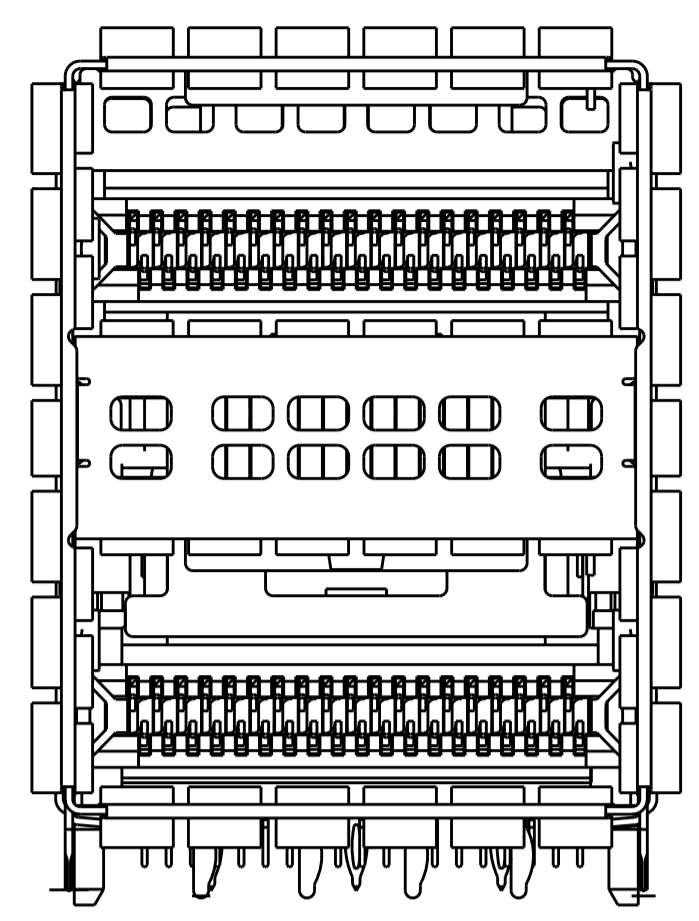
PRODUCT SPEC: 108-60102
 APPLICATION SPEC: 114-60015

SIZE: A1
 CAGE CODE: 00779
 DRAWING NO: 2227669

RESTRICTED TO: -

SCALE: 4:1 SHEET 1 OF 5 REV A

LOC		DIST		REVISIONS			
P	LTN	DESCRIPTION	DATE	DMN	APVD		
-	-	SEE SHEET 1	-	-	-		



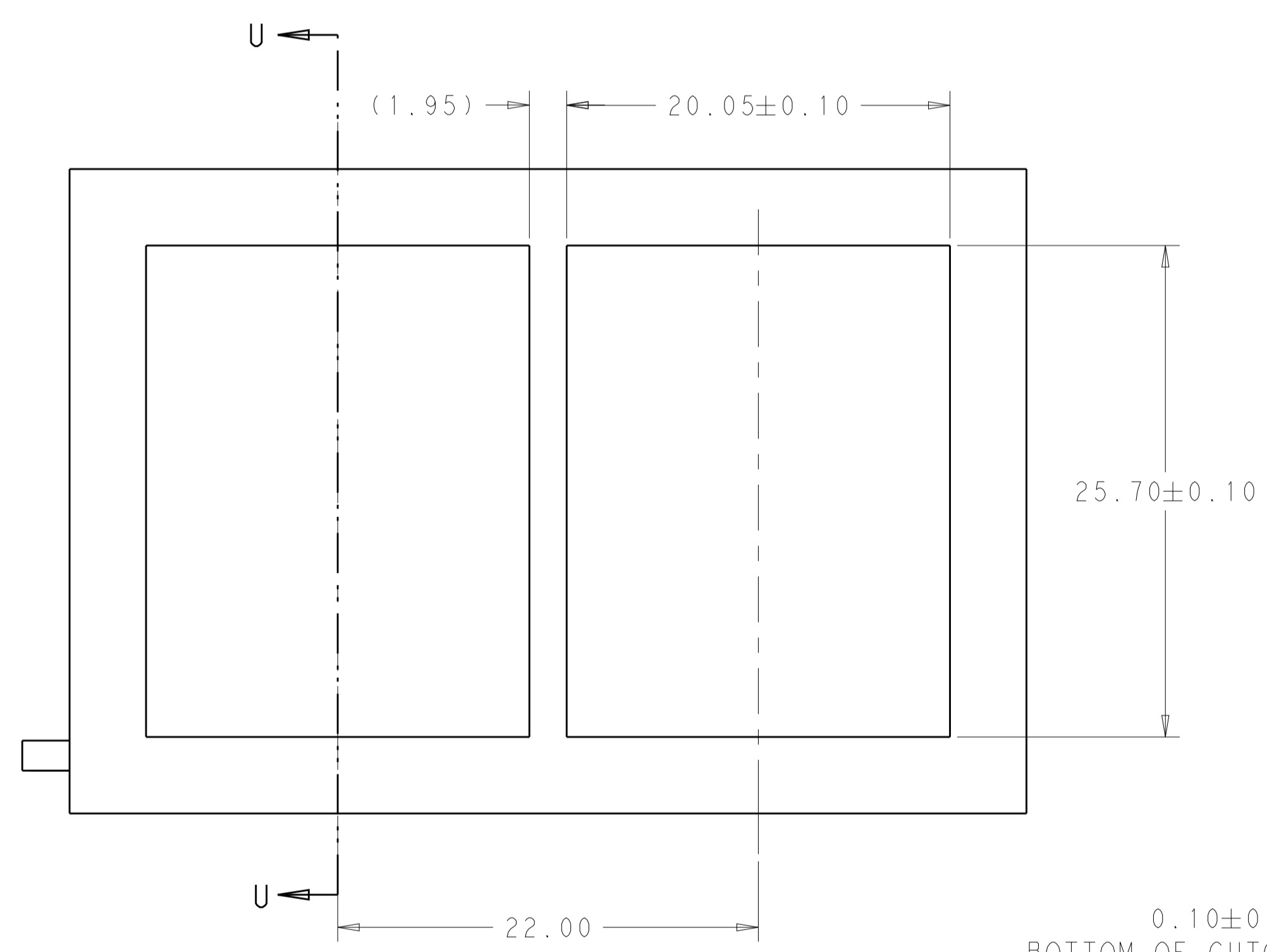
2227669-1 / 2227669-4
NO LIGHTPIPE IN ASSEMBLY

2227669-2 / 2227669-5
LEFT INDICATOR UP

2227669-3 / 2227669-6
LEFT INDICATOR DOWN

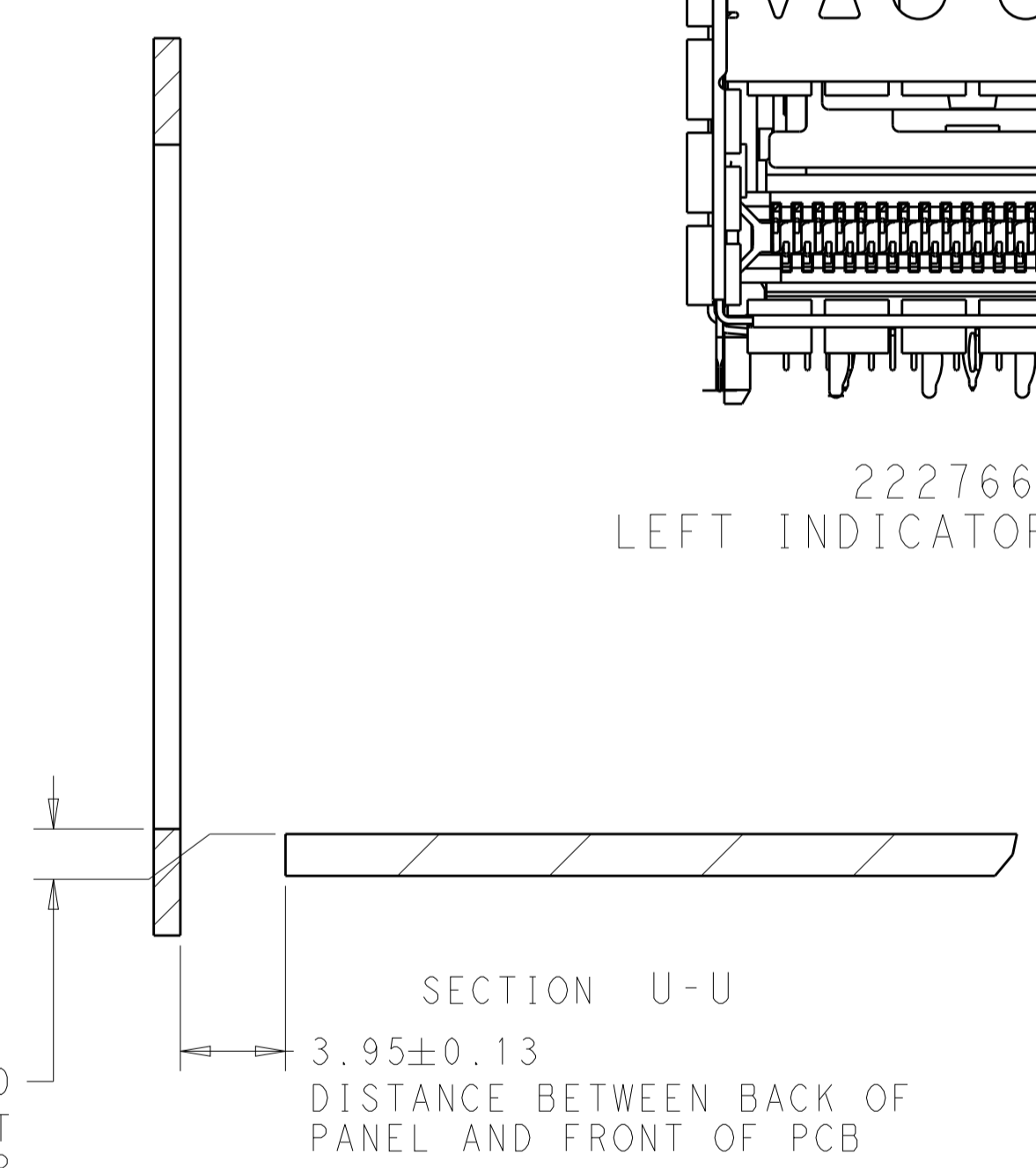
2227669-7
ALL INDICATOR UP, 4LP

2227669-8
LEFT INDICATOR UP, 4LP

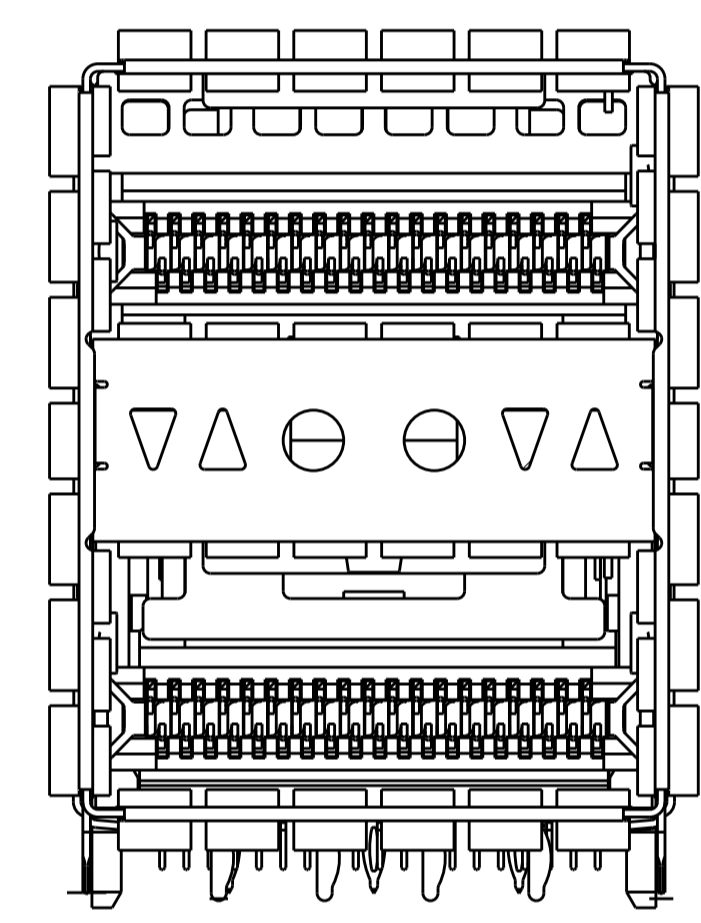


RECOMMENDED PANEL CUTOUT
AND PC BOARD, PANEL POSITION

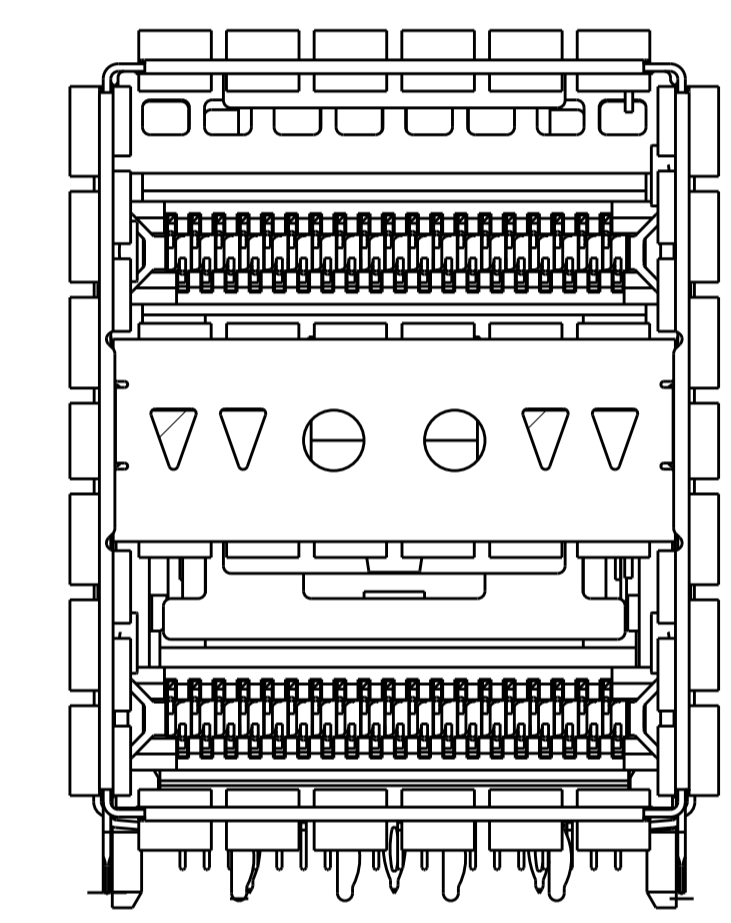
0.10±0.10
BOTTOM OF CUTOUT
IN PANEL TO TOP
OF PC BOARD



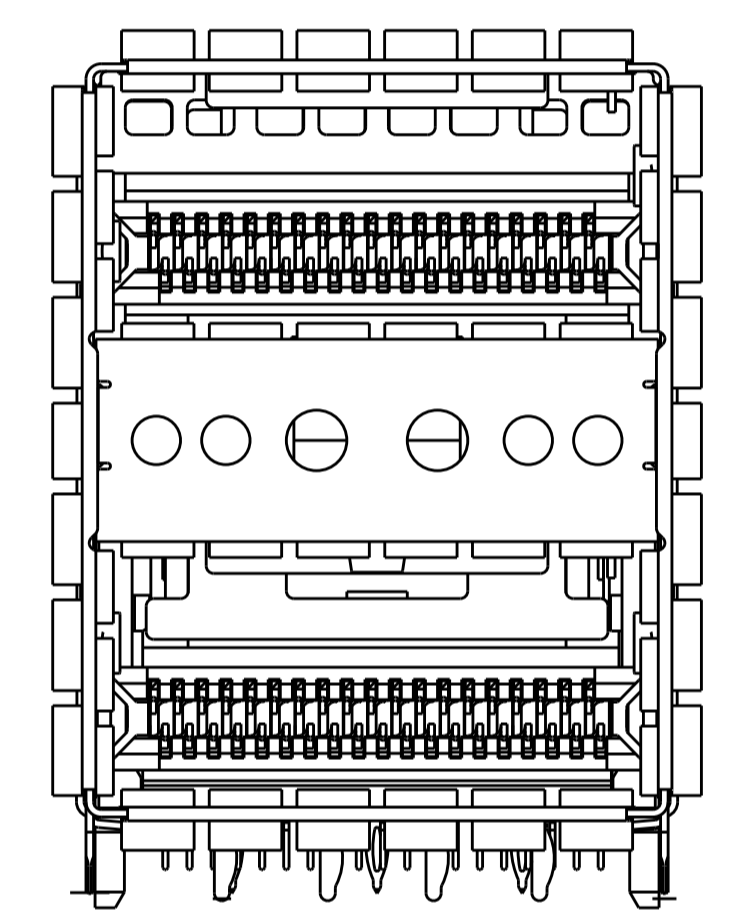
SECTION U-U
3.95±0.13
DISTANCE BETWEEN BACK OF
PANEL AND FRONT OF PCB



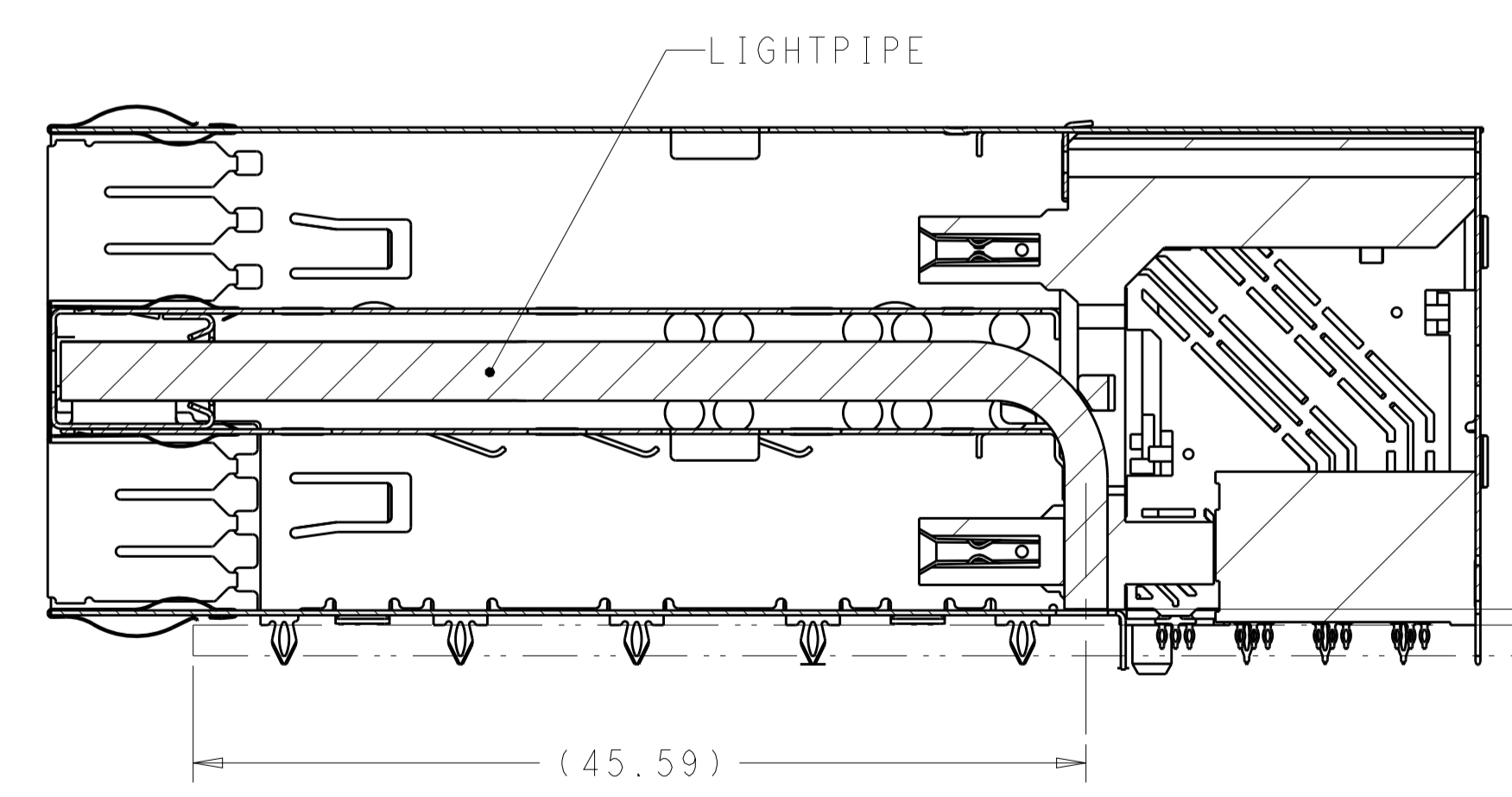
2227669-9
LEFT INDICATOR DOWN, 4LP



1-2227669-0
ALL INDICATOR DOWN, 4LP



1-2227669-1
ROUND SHAPE INDICATORS, 4LP



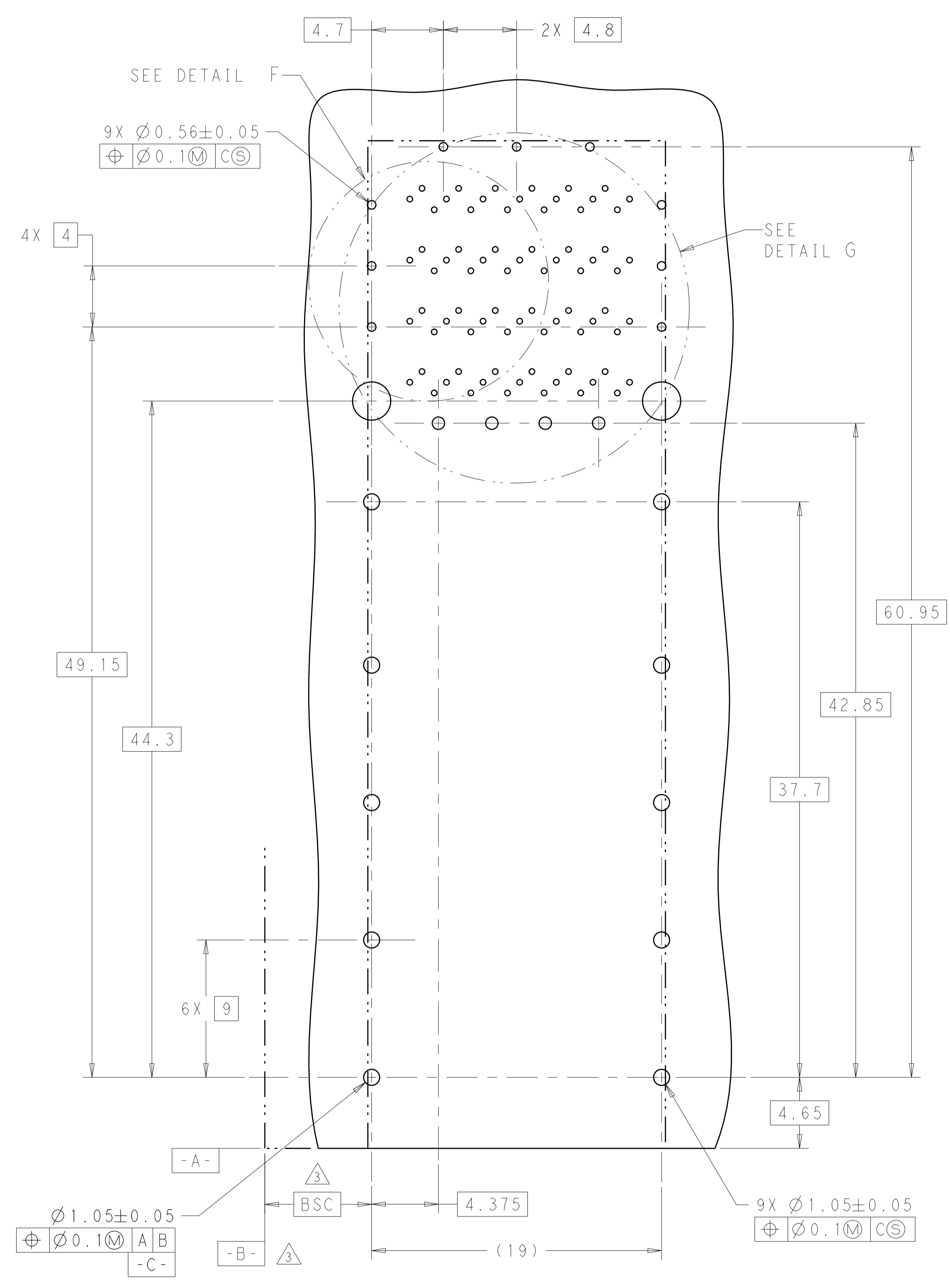
SECTION V-V
SCALE 3:1

(0.81)
RECOMMENDED 0805
PACKAGE SMD CHIP
LED LAMPS

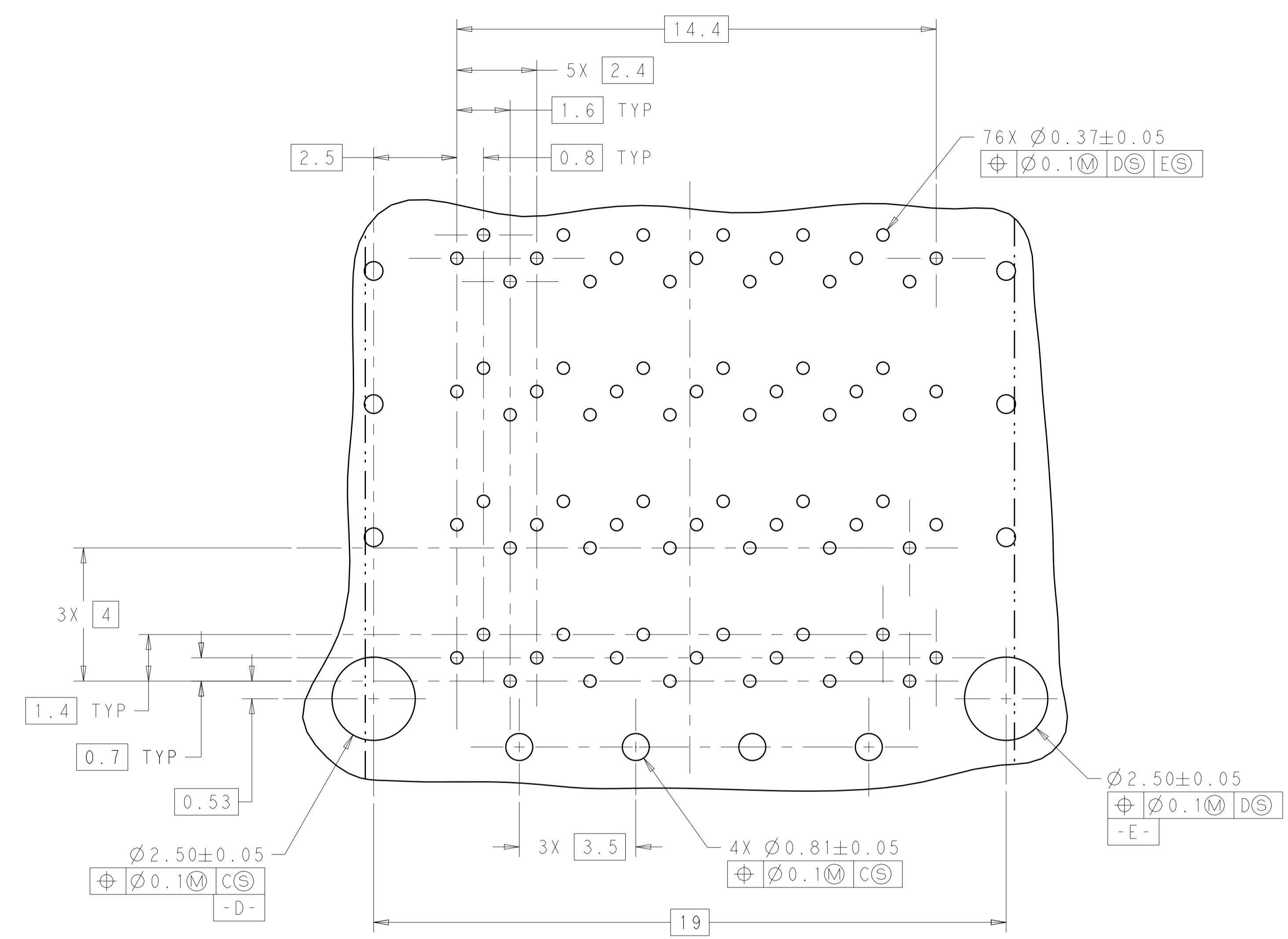
1.57 MIN PCB

THIS DRAWING IS A CONTROLLED DOCUMENT.		DMN: M_SHIRK 16JAN2013	TE Connectivity
DIMENSIONS: mm		CHK: D_SZCZESNY 16JAN2013	
TOLERANCES UNLESS OTHERWISE SPECIFIED:		APVD: -	NAME: CAGE AND CONNECTOR ASSEMBLY, WITH EMI SPRING FINGERS, THRU BEZEL, 2X1, ZQSFP+ STACKED
0 PLC ±	1 PLC ±0.25	PRODUCT SPEC: 108-60102	SIZE: 114-60015
2 PLC ±0.15	3 PLC ±	APPLICATION SPEC: -	WEIGHT: -
4 PLC ±	ANGLES ±	FINISH: -	RESTRICTED TO: -
MATERIAL: -	FINISH: -	WEIGHT: -	SCALE: 4:1
SEE NOTE 1	-	CUSTOMER DRAWING	SHEET 1 OF 5

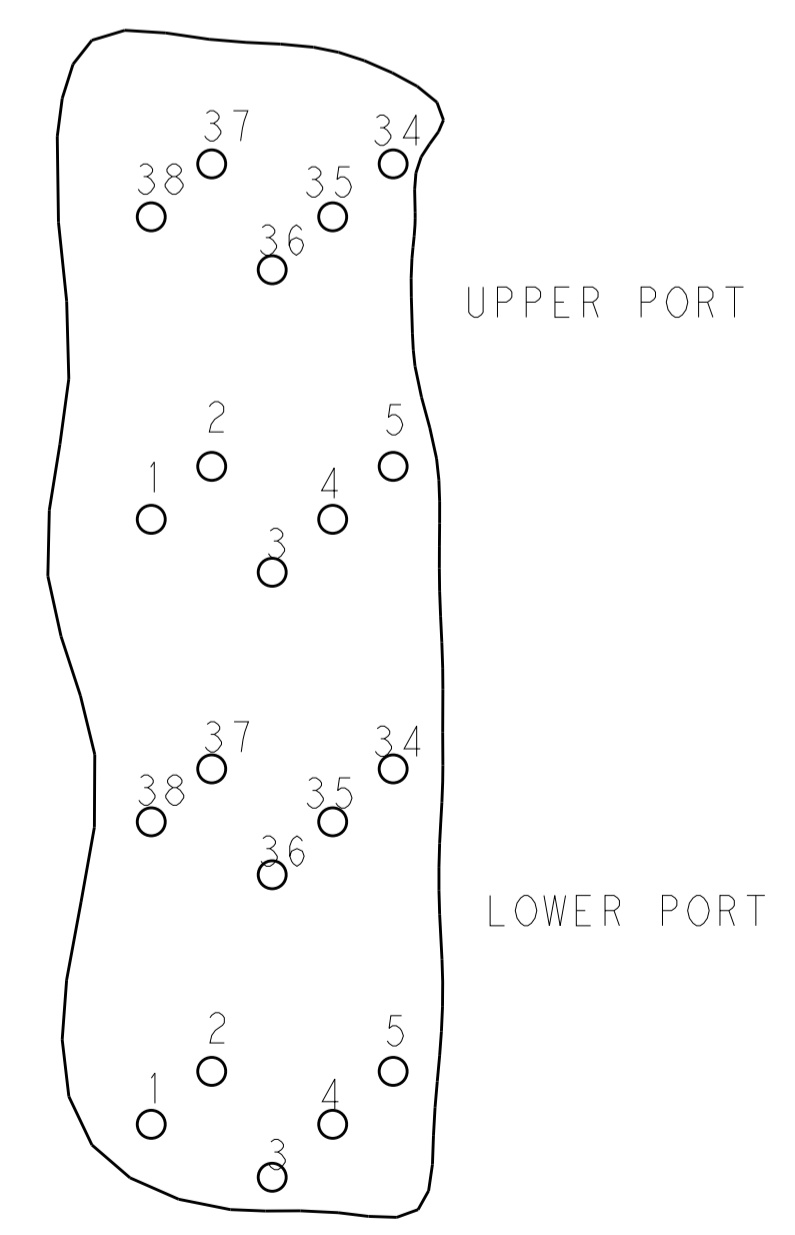
LOC		DIST		REVISIONS			
P	LTN	DESCRIPTION	DATE	DMN	APVD		
-	-	SEE SHEET 1	-	-	-	-	-



RECOMMENDED PC BOARD LAYOUT
 COMPONENT SIDE OF BOARD
 SCALE 5:1
 (PCB TOLERANCE: ±0.05)



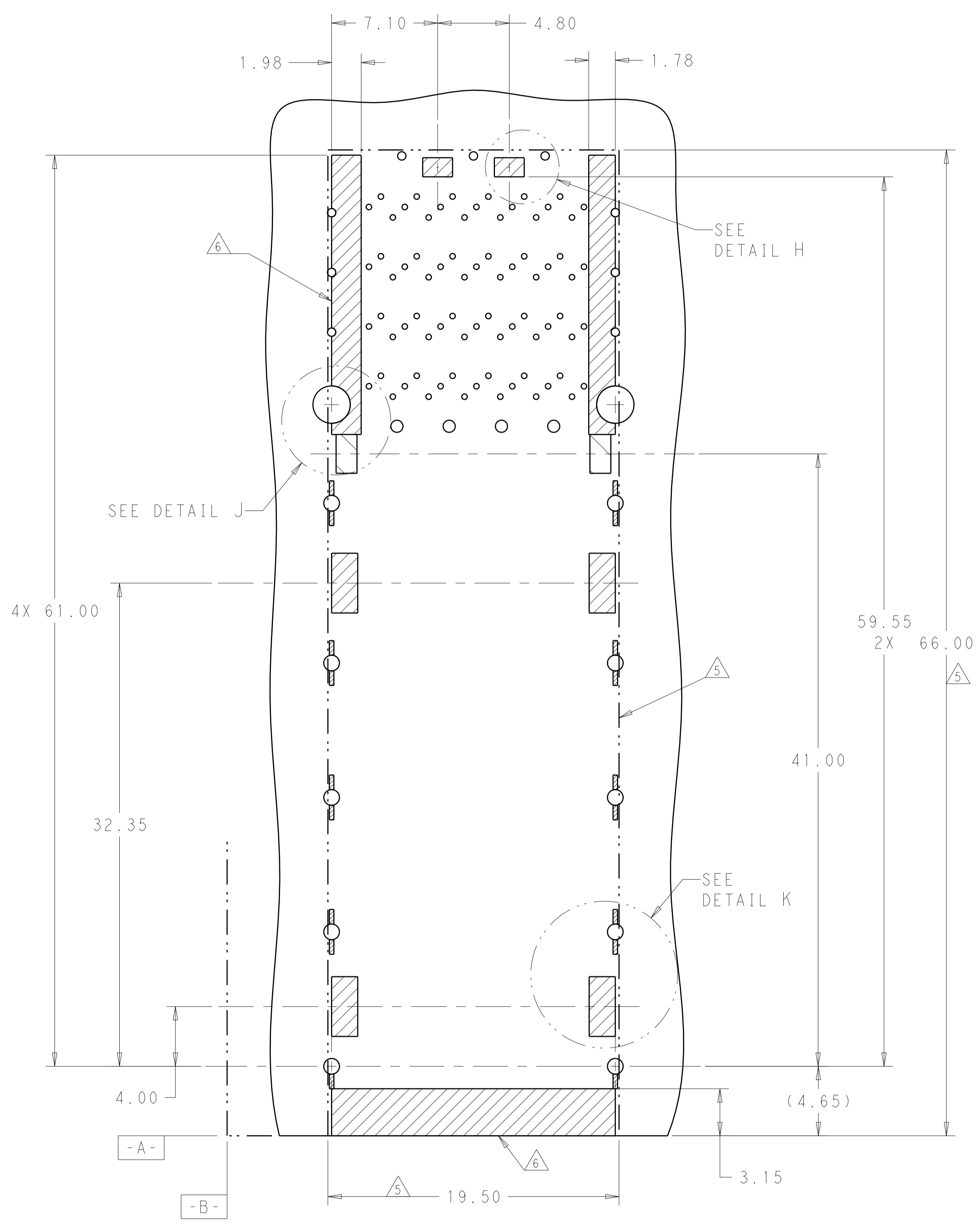
DETAIL G
 SCALE 10:1



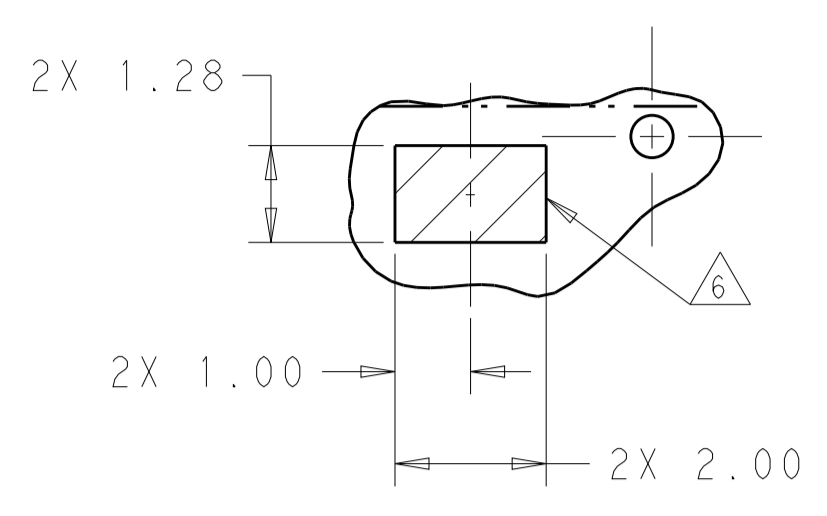
DETAIL F
 SCALE 10:1
 PIN ASSIGNMENTS

THIS DRAWING IS A CONTROLLED DOCUMENT.		DMN: M. SHIRK 16JAN2013	TE Connectivity
DIMENSIONS: mm		CHK: D. SZCZESNY 16JAN2013	
TOLERANCES UNLESS OTHERWISE SPECIFIED:		APVD: -	NAME: CAGE AND CONNECTOR ASSEMBLY, WITH EMI SPRING FINGERS, THRU BEZEL, 2X1, ZQSFP+ STACKED
0 PLC ±	1 PLC ±0.25	PRODUCT SPEC: 108-60102	SIZE: 114-60015
2 PLC ±0.15	3 PLC ±	APPLICATION SPEC: -	RESTRICTED TO: -
4 PLC ±	5 PLC ±	WEIGHT: -	A100779C=2227669
MATERIAL: -	FINISH: -	CUSTOMER DRAWING	SCALE: 4:1 SHEET: 1 OF 5 REV: A
SEE NOTE 1			

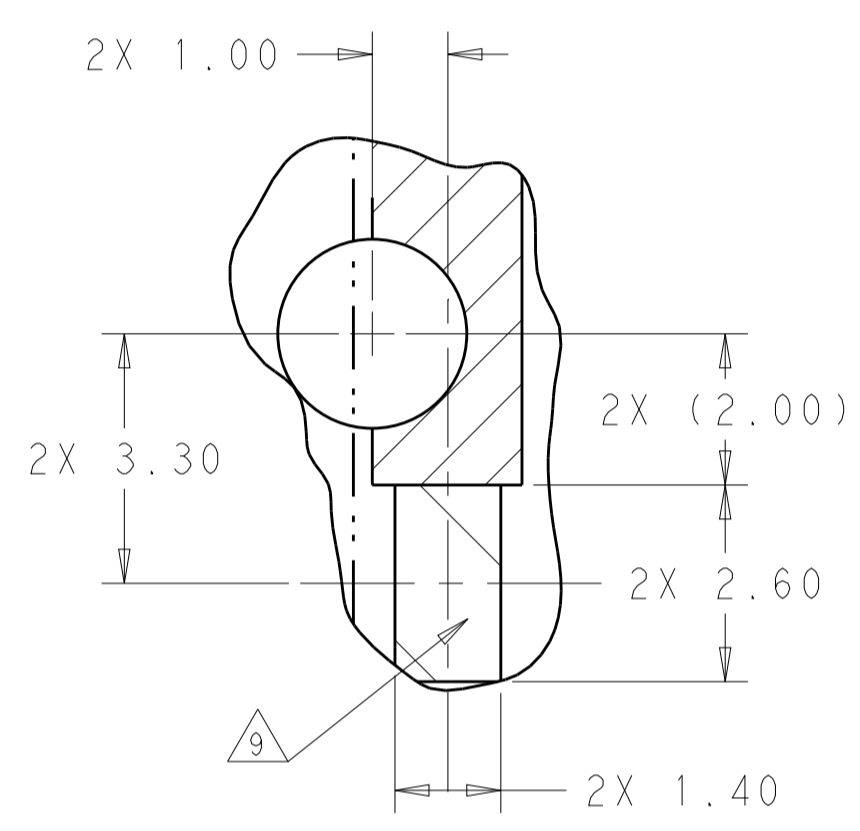
LOC		DIST		REVISIONS			
P.	LTN	DESCRIPTION	DATE	DWN	APVD		
-	-	SEE SHEET 1	-	-	-		



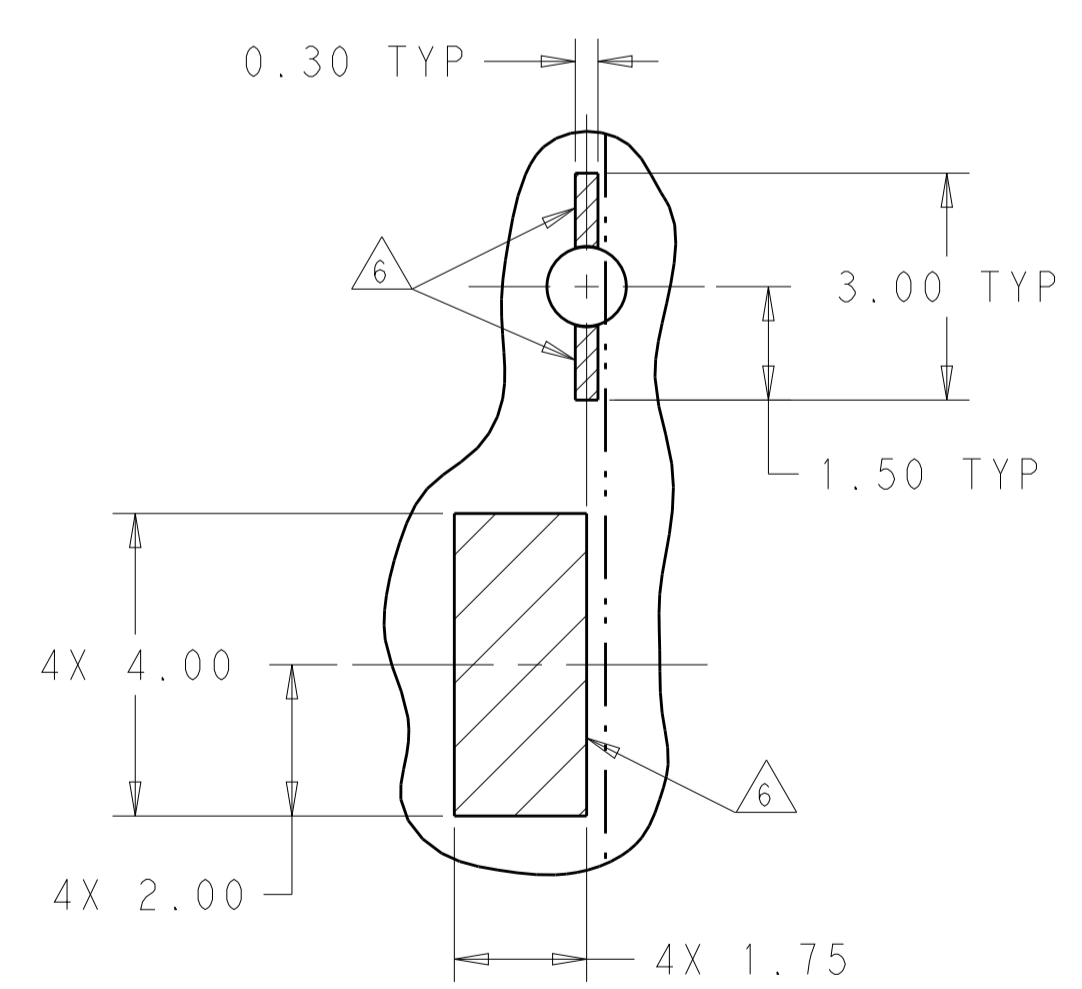
KEEPOUT AREAS FOR 2LP APPLICATION
 COMPONENT SIDE OF BOARD
 SCALE 5:1



DETAIL H
 SCALE 10:1



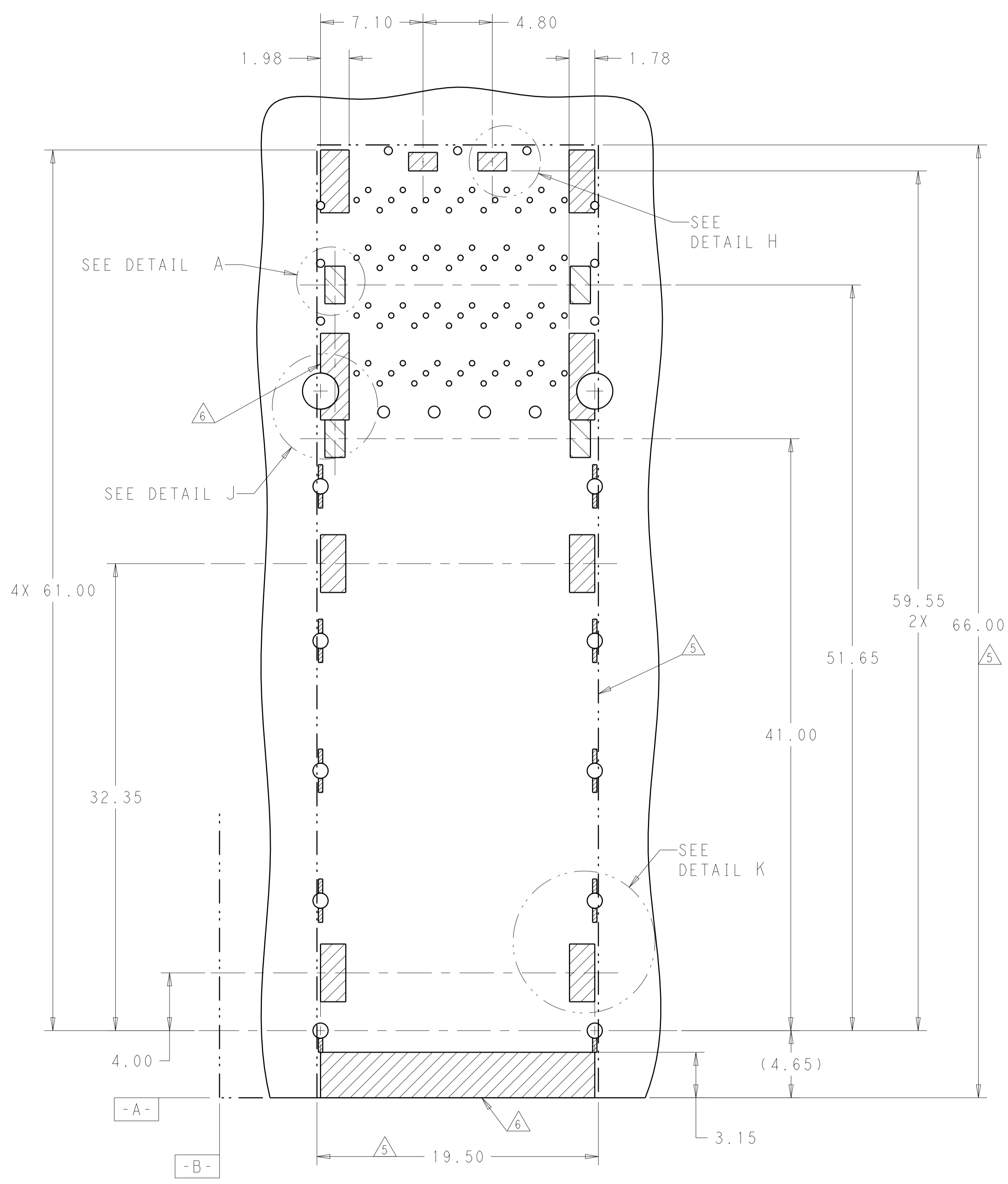
DETAIL J
 LED PADS
 SCALE 10:1



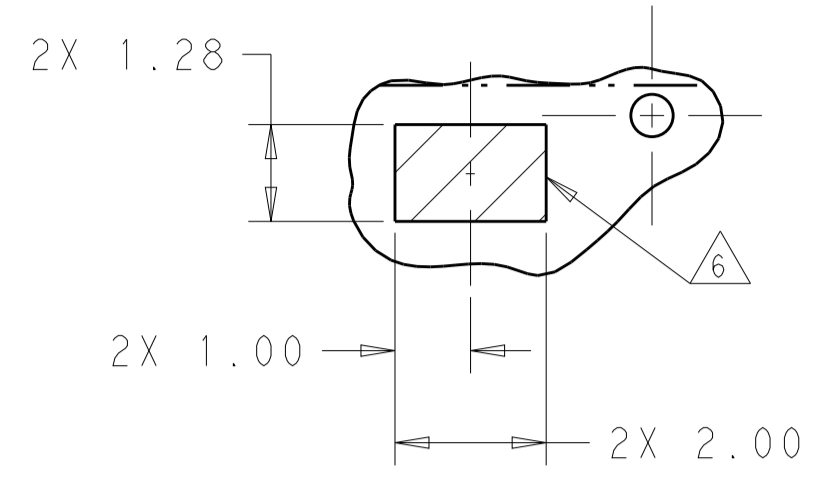
DETAIL K
 SCALE 10:1

THIS DRAWING IS A CONTROLLED DOCUMENT.		DWN M. SHIRK 16JAN2013	TE Connectivity	
DIMENSIONS:		CHK D. SZCZESNY 16JAN2013	NAME	
mm	TOLERANCES UNLESS OTHERWISE SPECIFIED:	APVD	CAGE AND CONNECTOR ASSEMBLY, WITH EMI SPRING FINGERS, THRU BEZEL, 2X1, ZQSP+ STACKED	
0 PLC ±	1 PLC ±0.25	PRODUCT SPEC	108-60102	
2 PLC ±0.15	3 PLC ±	APPLICATION SPEC	114-60015	
4 PLC ±	ANGLES ±	SIZE	CAGE CODE	DRAWING NO
MATERIAL	FINISH	WEIGHT	A100779	C=2227669
SEE NOTE 1		CUSTOMER DRAWING	SCALE 4:1	SHEET 1 OF 5 REV A

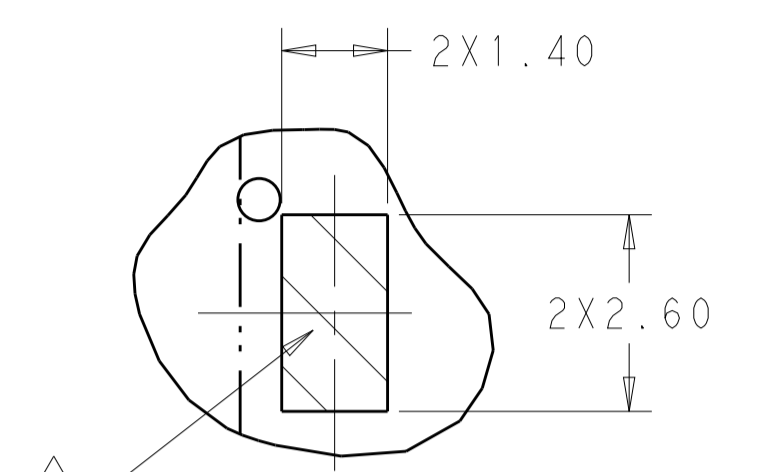
LOC	DIST	REV	DATE	BY	APPV
		1			



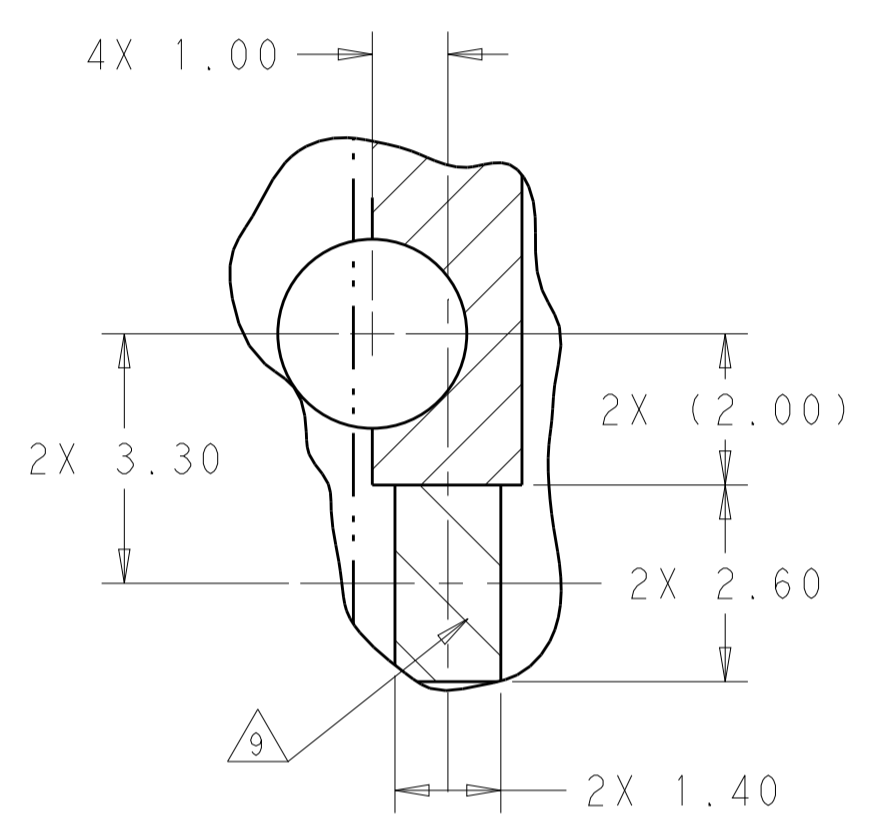
KEEPOUT AREAS FOR 4 LP APPLICATION
 COMPONENT SIDE OF BOARD
 SCALE 5:1



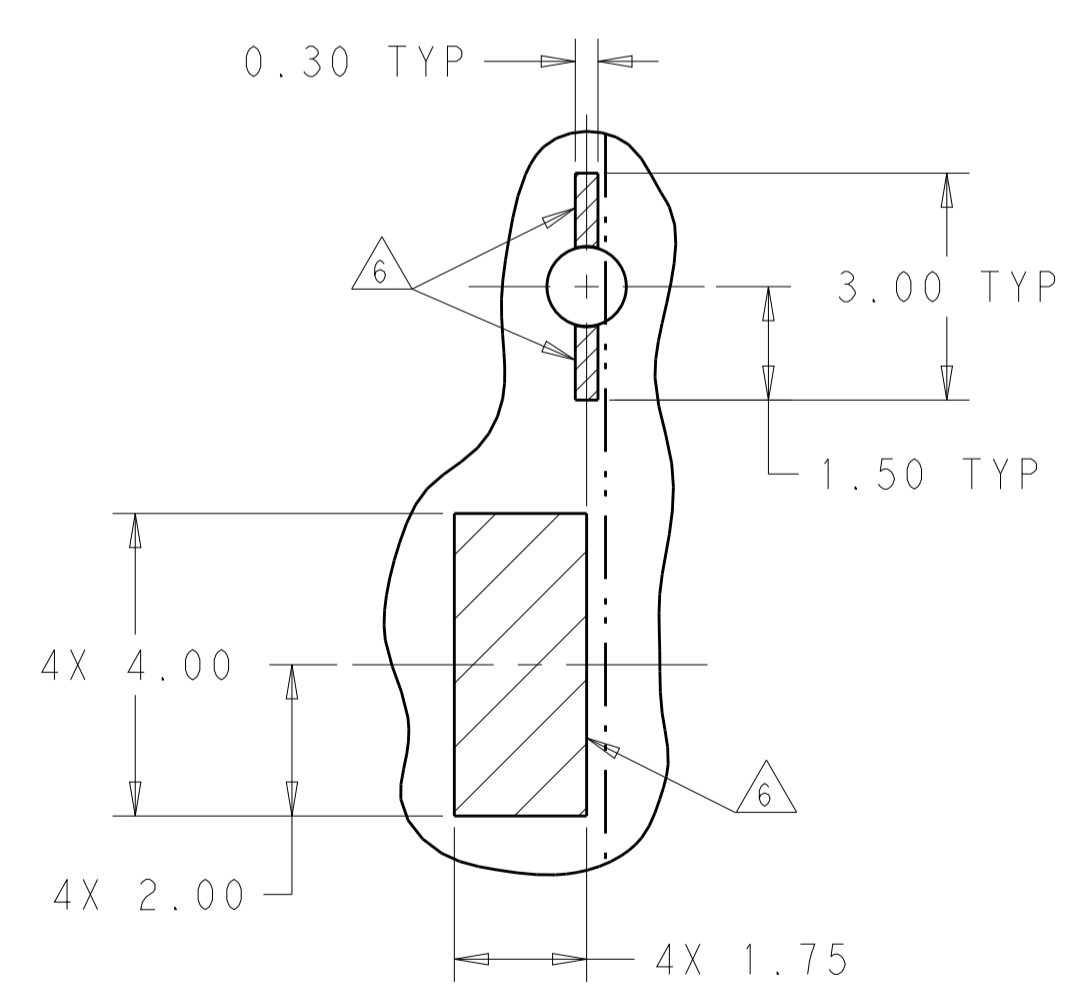
DETAIL H
 SCALE 10:1



DETAIL A
 SCALE 10:1



DETAIL J
 LED PADS
 SCALE 10:1



DETAIL K
 SCALE 10:1

THIS DRAWING IS A CONTROLLED DOCUMENT.		DWN M. SHIRK 16JAN2013	TE Connectivity
DIMENSIONS: mm		CHK D. SZCZESNY 16JAN2013	
TOLERANCES UNLESS OTHERWISE SPECIFIED:		APVD	NAME
0 PLC ±0.25	1 PLC ±0.15	PRODUCT SPEC	CAGE AND CONNECTOR ASSEMBLY, WITH EMI SPRING FINGERS, THRU BEZEL, 2X1, ZQSP+ STACKED
2 PLC ±0.15	3 PLC ±0.15	APPLICATION SPEC	RESTRICTED TO
4 PLC ±0.15	ANGLES ±0.15	SIZE	A100779
MATERIAL	FINISH	WEIGHT	C=2227669
SEE NOTE 1		CUSTOMER DRAWING	SCALE 4:1 SHEET 1 OF 5 REV A