



Chipsmall Limited consists of a professional team with an average of over 10 year of expertise in the distribution of electronic components. Based in Hongkong, we have already established firm and mutual-benefit business relationships with customers from,Europe,America and south Asia,supplying obsolete and hard-to-find components to meet their specific needs.

With the principle of “Quality Parts,Customers Priority,Honest Operation,and Considerate Service”,our business mainly focus on the distribution of electronic components. Line cards we deal with include Microchip,ALPS,ROHM,Xilinx,Pulse,ON,Everlight and Freescale. Main products comprise IC,Modules,Potentiometer,IC Socket,Relay,Connector.Our parts cover such applications as commercial,industrial, and automotives areas.

We are looking forward to setting up business relationship with you and hope to provide you with the best service and solution. Let us make a better world for our industry!



Contact us

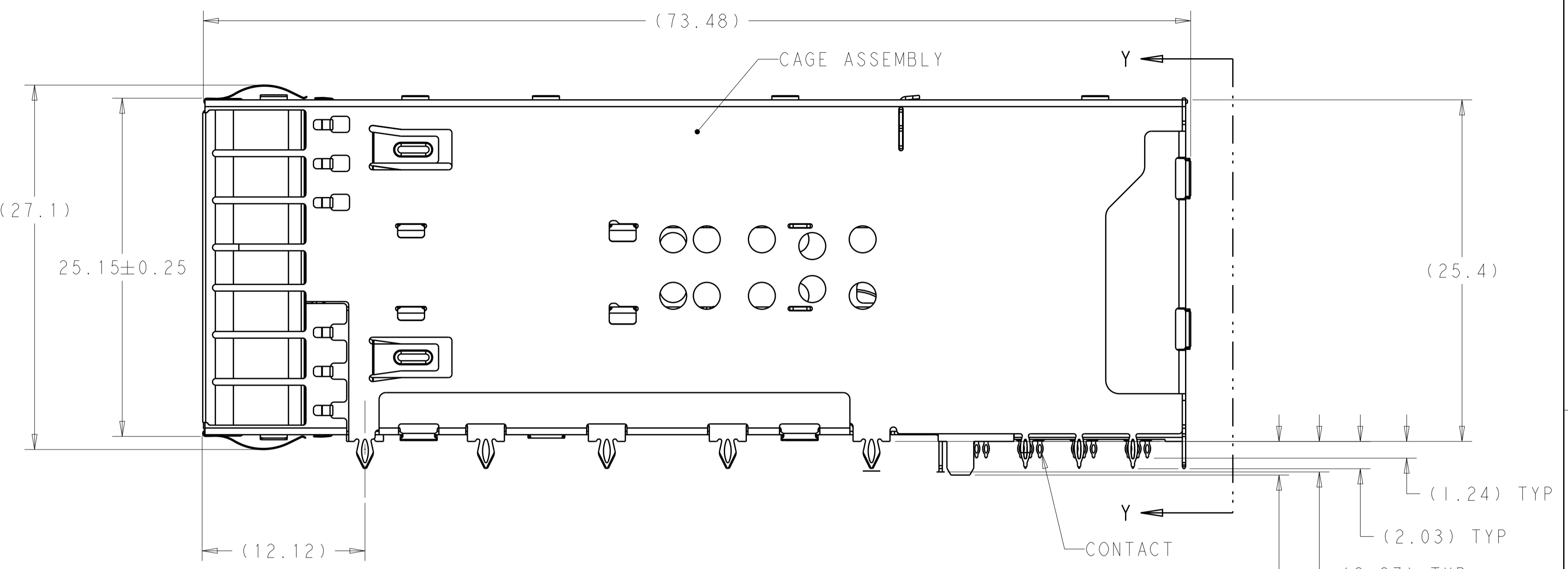
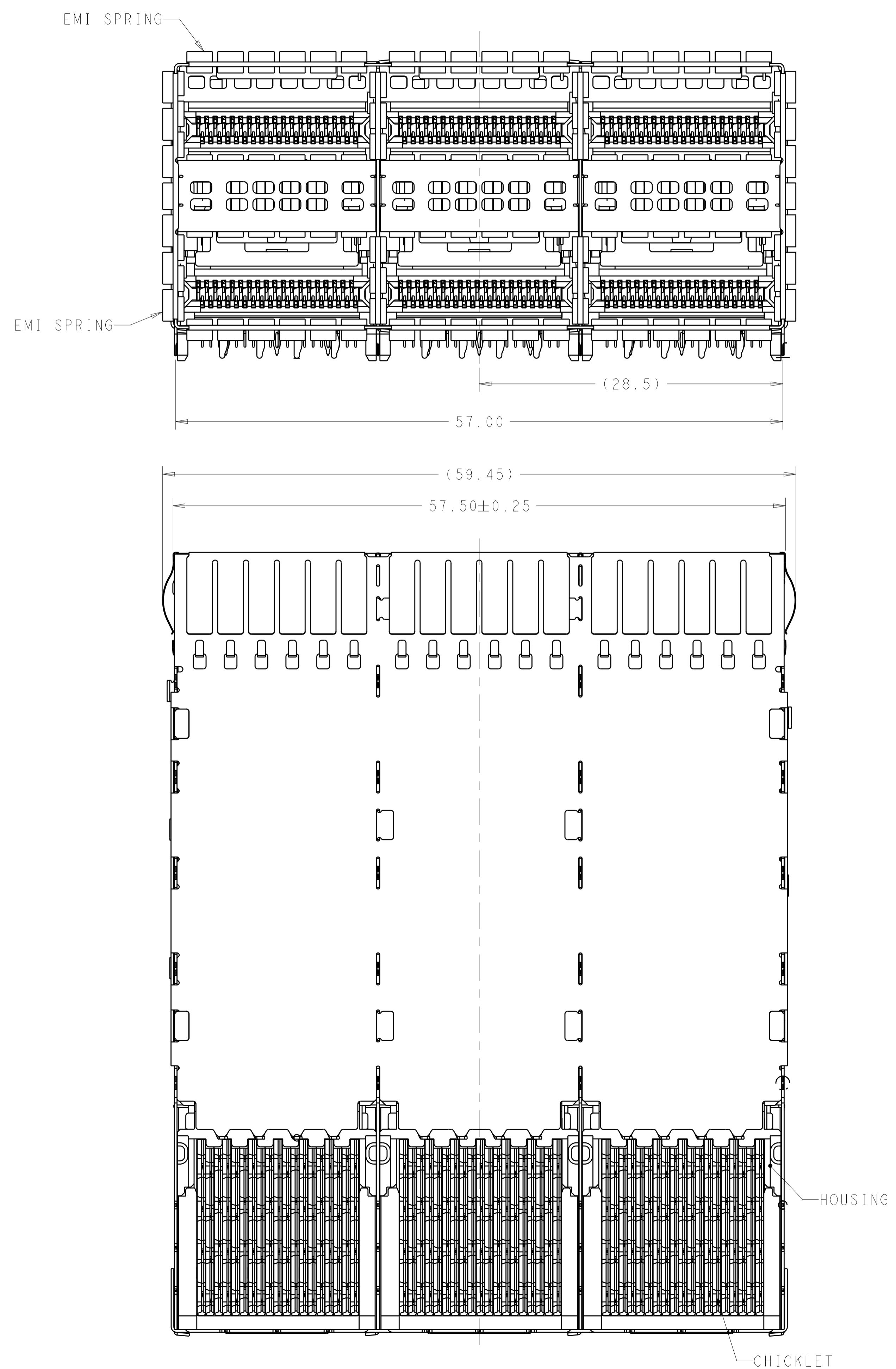
Tel: +86-755-8981 8866 Fax: +86-755-8427 6832

Email & Skype: info@chipsmall.com Web: www.chipsmall.com

Address: A1208, Overseas Decoration Building, #122 Zhenhua RD., Futian, Shenzhen, China



LOC		DIST		REVISIONS			
P	LTN	DESCRIPTION	DATE	DMN	APVD		
A		RELEASED FOR PRODUCTION	03MAR2016	TX	SH		



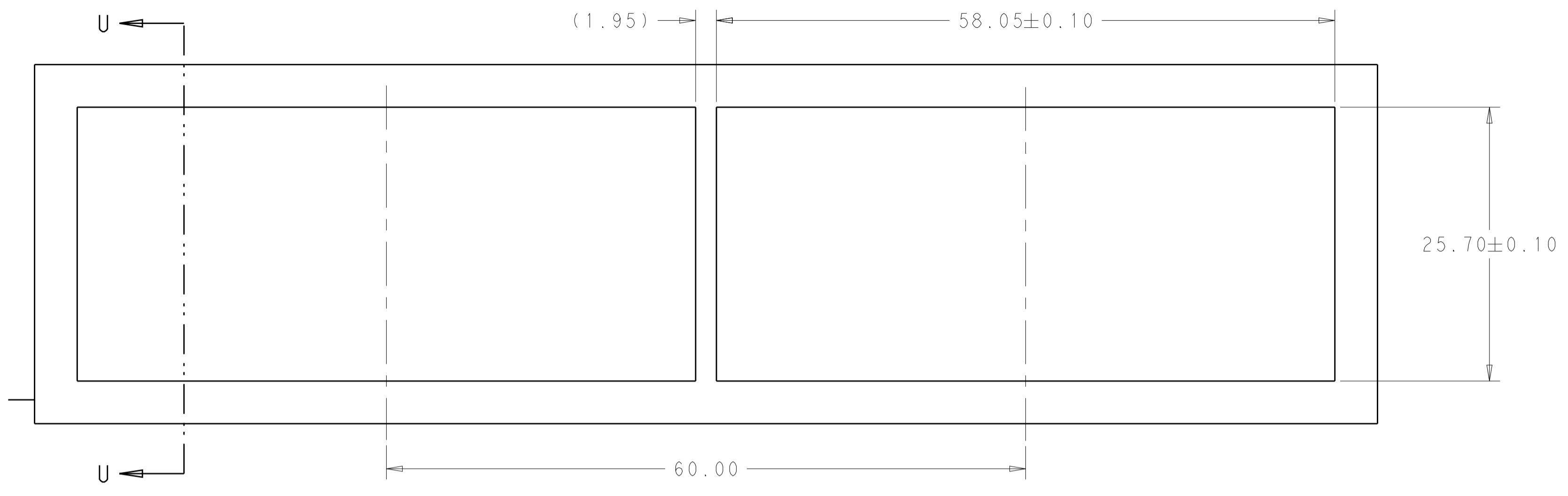
- MATERIALS:
 CAGE ASSEMBLY- NICKEL SILVER ALLOY PER ASTM B 122.
 EMI SPRING- COPPER ALLOY, NICKEL PLATED.
 HOUSING- POLYESTER LCP WITH 94 V-0
 CHICKLET- POLYESTER LCP WITH 94 V-0
 CONTACT- COPPER ALLOY.
 LIGHTPIPE- POLYCARBONATE
- CONTACT FINISH: 0.76µm GOLD ON MATING END, 1.25µm TIN ON SOLDER TAIL, ALL OVER 1.27µm NICKEL.
- DATUM AND BASIC DIMENSION ESTABLISHED BY CUSTOMER.
- MINIMUM PCB THICKNESS OF 1.57.
- THE ENTIRE AREA OF THE CONNECTOR FOOTPRINT, INDICATED BY THE DASHED LINE, TO BE CONSIDERED THE KEEPOUT AREA FOR COMPONENTS.
- CROSS-HATCHED AREAS REPRESENT ZONES ON THE PCB THAT COME IN CONTACT WITH OR BE IN CLOSE PROXIMITY TO THE PLASTIC HOUSING OR THE CONNECTOR CAGE. INDICATED AREAS TO BE CONSIDERED TRACE FREE.
- PART NUMBER AND DATE CODE MADE IN APPROXIMATE AREA SHOWN.
- CONTACT FINISH: 0.08µm MINIMUM GOLD OVER 0.68µm PALLADIUM-NICKEL ON MATING END, 1.25µm TIN ON SOLDER TAIL, ALL OVER 1.27µm NICKEL.
- REMOVE THE PCB HOLES FOR 1-2227671-0 FOR BELLY TO BELLY APPLICATION
- HATCHED AREA IS PLACEMENT ZONE FOR LED. LED SHOULD BE CENTERED WITHIN ZONE. RECOMMEND 0805 PACKAGE

CONTACT FINISH	DESCRIPTION	PART NUMBER
2	ALL INDICATOR DOWN, 4 LP	1-2227671-2
2	DUAL LEFT INDICATOR UP, 4 LP	1-2227671-1
2	LEFT INDICATOR UP, 2 LP	1-2227671-0
2	LEFT INDICATOR DOWN, 4 LP	2227671-9
2	LEFT INDICATOR UP, 4 LP	2227671-8
2	ALL INDICATOR UP, 4 LP	2227671-7
8	LEFT INDICATOR DOWN	2227671-6
8	LEFT INDICATOR UP	2227671-5
8	NO LIGHTPIPE	2227671-4
2	LEFT INDICATOR DOWN	2227671-3
2	LEFT INDICATOR UP	2227671-2
2	NO LIGHTPIPE	2227671-1

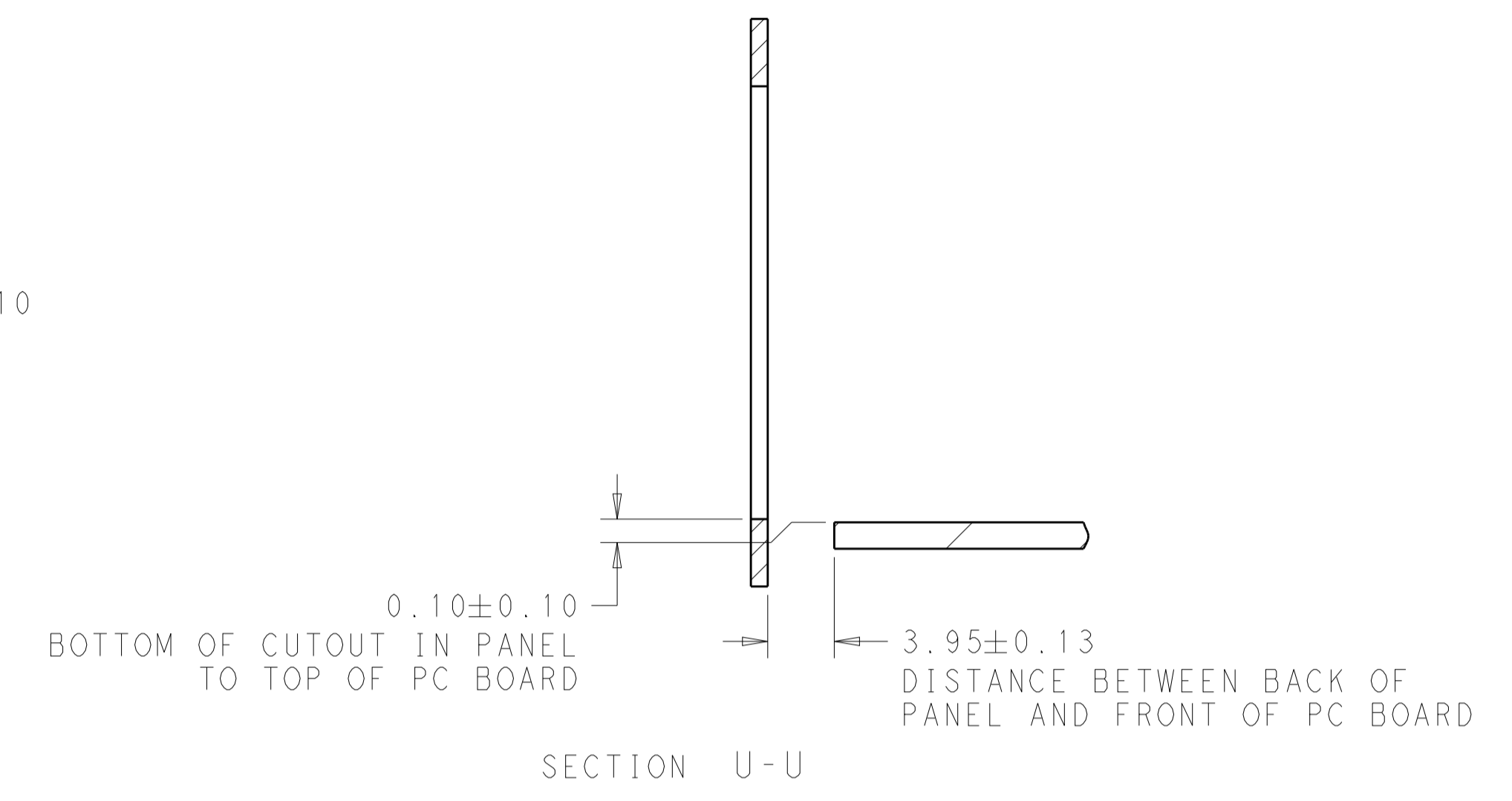
THIS DRAWING IS A CONTROLLED DOCUMENT.

DIMENSIONS:	TOLERANCES UNLESS OTHERWISE SPECIFIED:	DMN: M. SHIRK 18JAN2013	TE Connectivity
mm	0 PLC ± 1 PLC ±0.25 2 PLC ±0.15 3 PLC ± 4 PLC ± ANGLES ± FINISH ±	CHK: D. SZCZESNY 18JAN2013	
MATERIAL:	SEE NOTE 1	APVD:	NAME: CAGE AND CONNECTOR ASSEMBLY, WITH EMI SPRING, THRU BEZEL, 2X3, ZQSFP+ STACKED
SEE NOTE 2	SEE NOTE 2	PRODUCT SPEC: 108-60102	SIZE: CAGE CODE DRAWING NO: A100779
		APPLICATION SPEC: 114-60015	RESTRICTED TO: C=2227671
		WEIGHT:	CUSTOMER DRAWING
		SCALE: 4:1	SHEET 1 OF 6

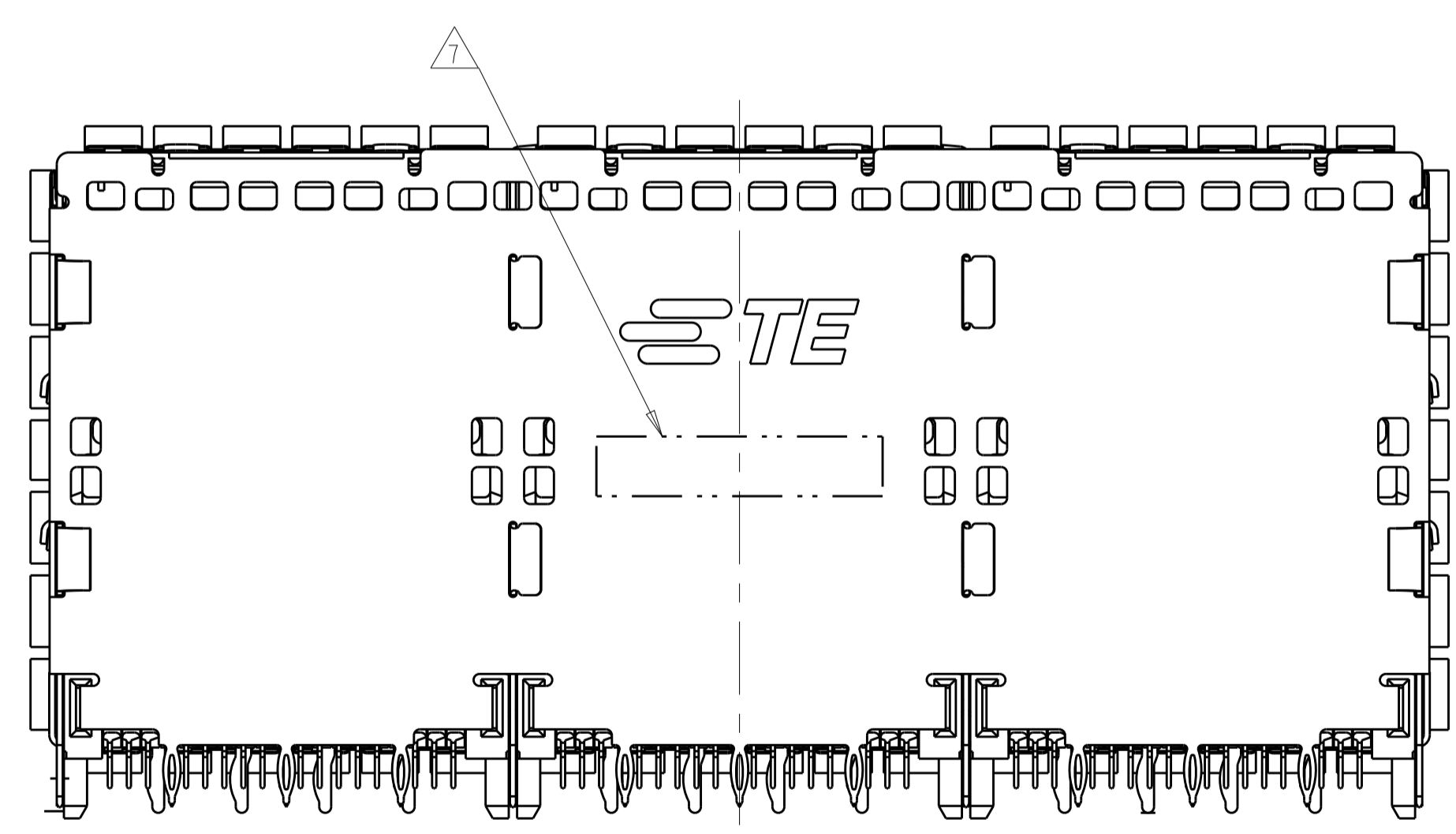
LOC		DIST		REVISIONS			
P	LTN	DESCRIPTION	DATE	DWN	APVD		
-	-	SEE SHEET 1	-	-	-		



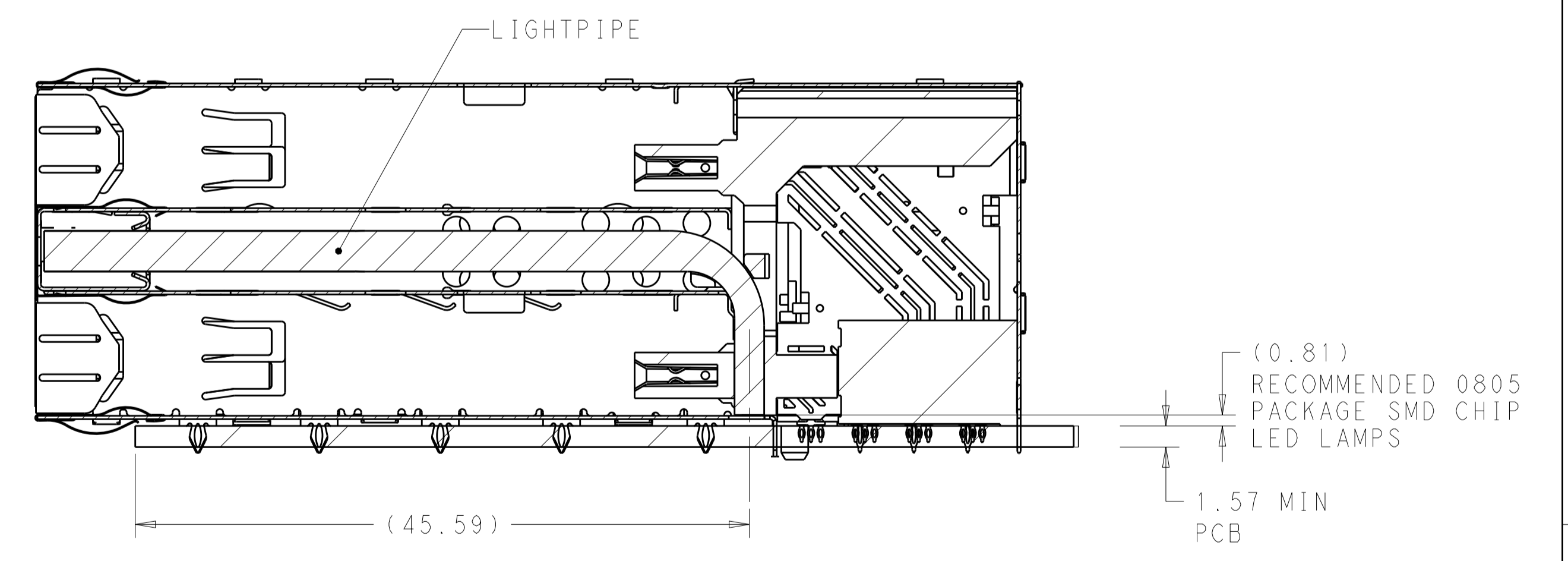
RECOMMENDED PANEL CUTOUT
 AND PC BOARD, PANEL POSITION
 SCALE 3:1



SECTION U-U



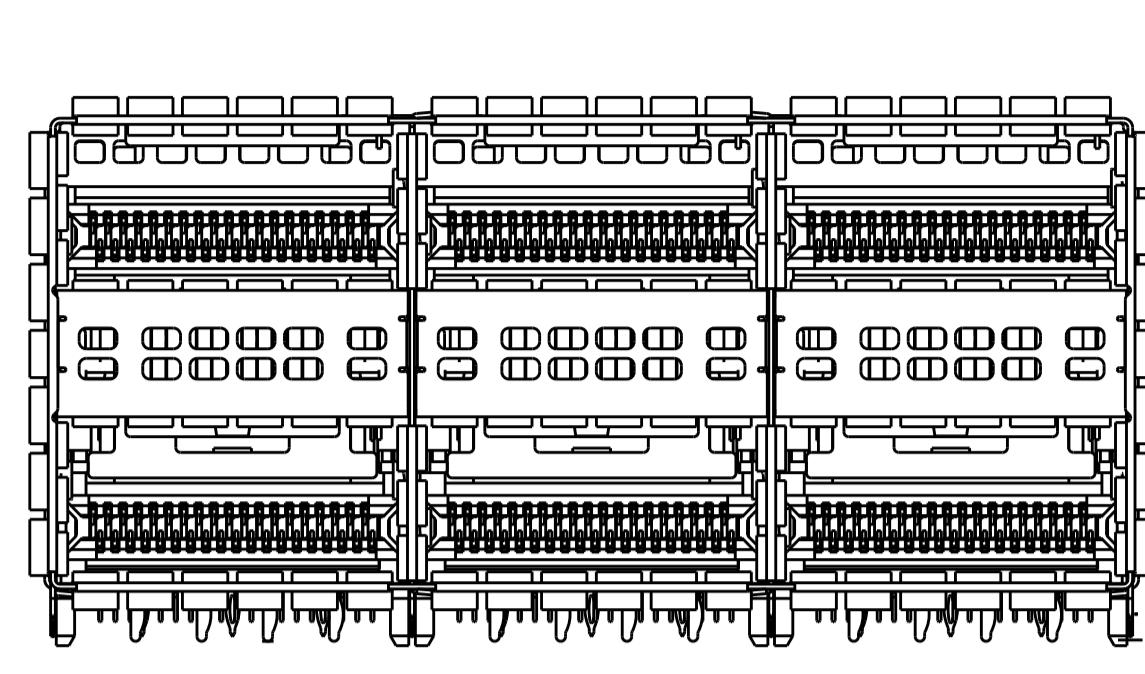
VIEW Y-Y



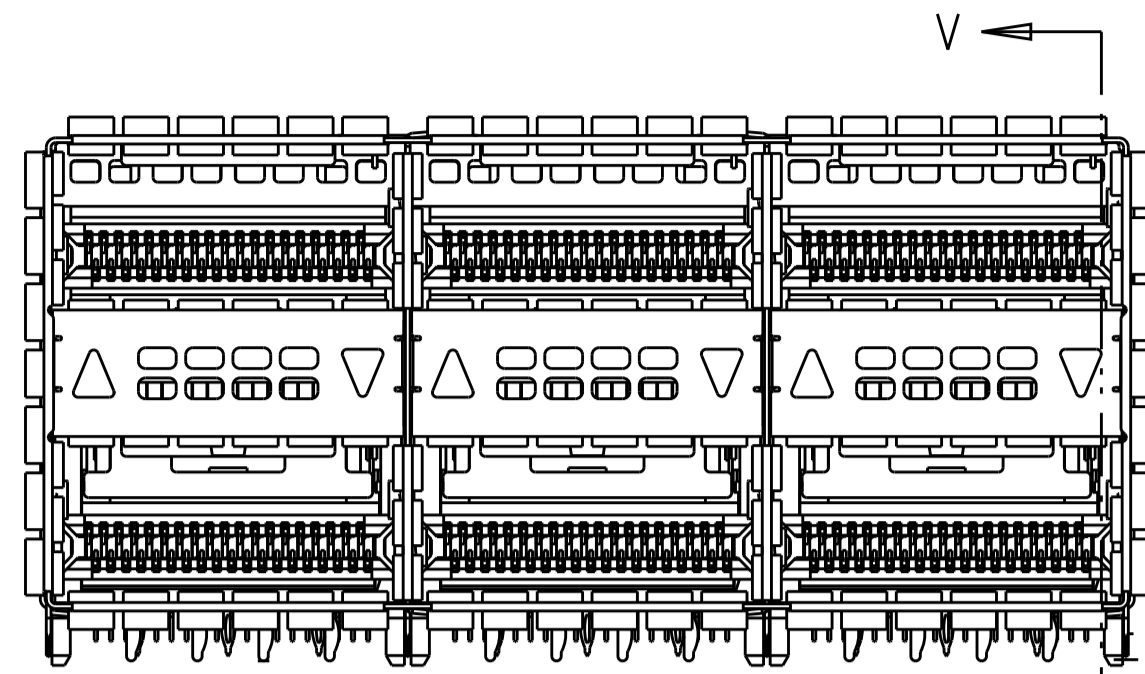
SECTION V-V
 SCALE 3:1

THIS DRAWING IS A CONTROLLED DOCUMENT.		DWN M. SHIRK 18JAN2013		
DIMENSIONS: mm		CHK D. SZCZESNY 18JAN2013		
TOLERANCES UNLESS OTHERWISE SPECIFIED:		APVD	NAME	
0 PLC ±	1 PLC ±0.25	PRODUCT SPEC		CAGE AND CONNECTOR ASSEMBLY,
2 PLC ±0.15	3 PLC ±	108-60102		WITH EMI SPRING, THRU BEZEL, 2X3,
4 PLC ±	ANGLES ±	APPLICATION SPEC		ZQSFP+ STACKED
MATERIAL	FINISH	SIZE	CAGE CODE	DRAWING NO
SEE NOTE 1	SEE NOTE 2	114-60015	A100779	C=2227671
CUSTOMER DRAWING		RESTRICTED TO	SCALE 4:1 SHEET 1 OF 6 REV A	

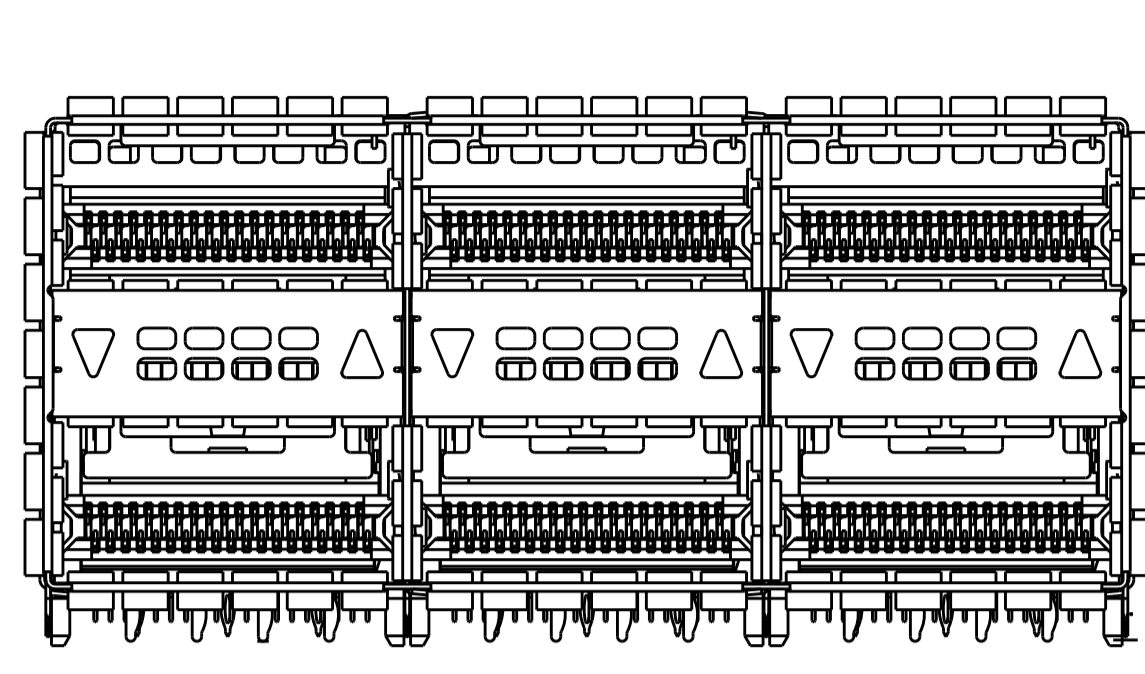
LOC	DIST	REVISIONS			
P	LTN	DESCRIPTION	DATE	OWN	APVD
-	-	SEE SHEET 1	-	-	-



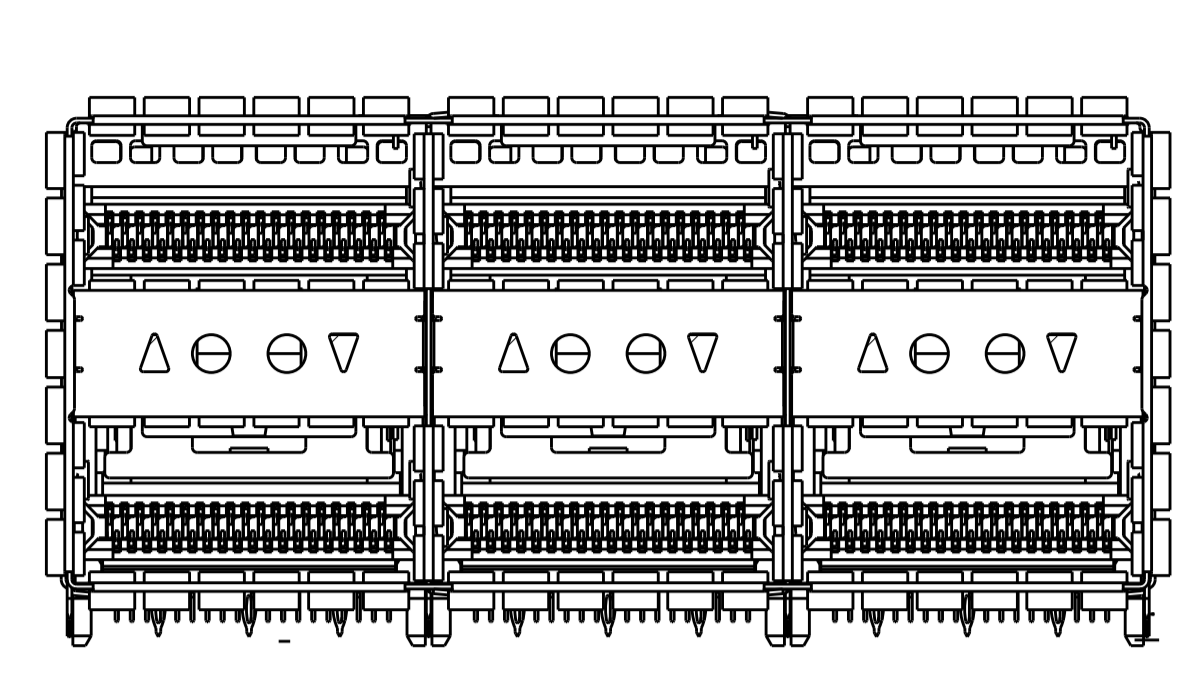
2227671-1/4
 NO LIGHTPIPE IN ASSEMBLY
 SCALE 5:2



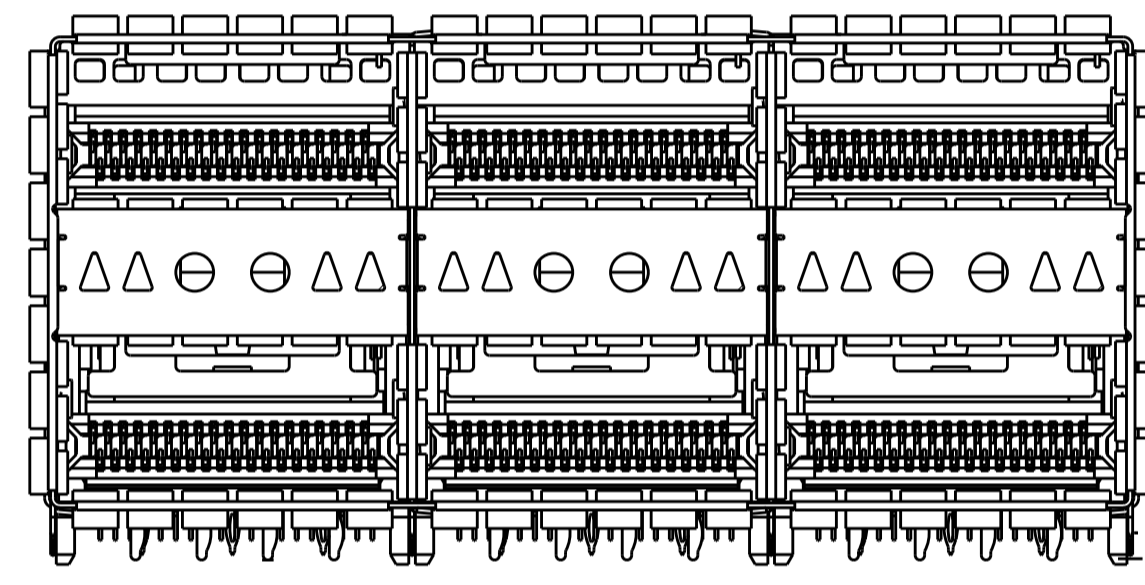
2227671-2/5
 LEFT LIGHTPIPE INDICATOR
 POINTING TO UPPER PORT
 SCALE 5:2



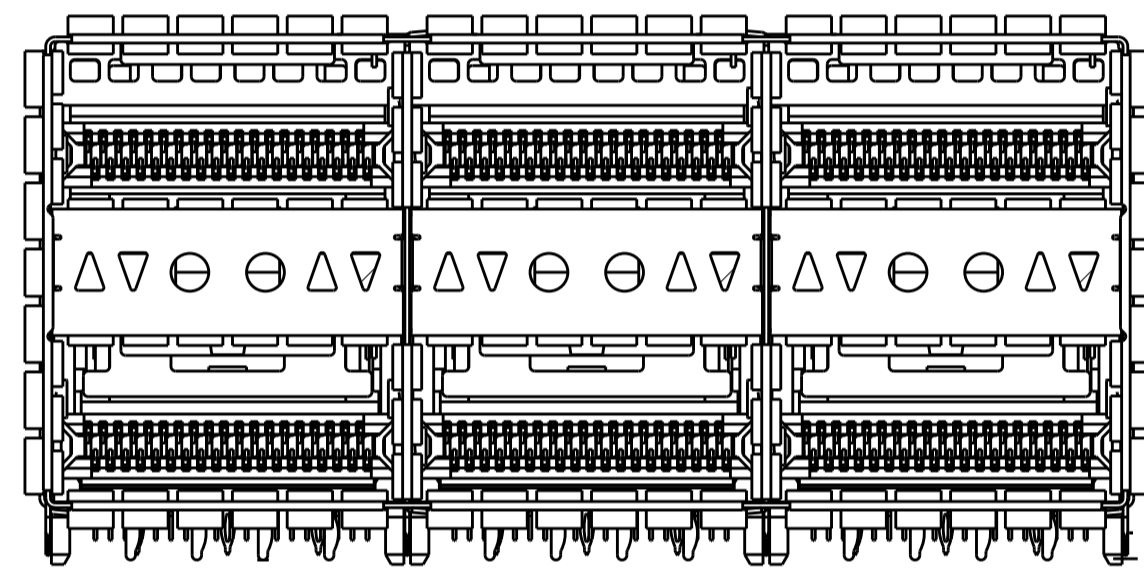
2227671-3/6
 LEFT LIGHTPIPE INDICATOR
 POINTING TO LOWER PORT
 SCALE 5:2



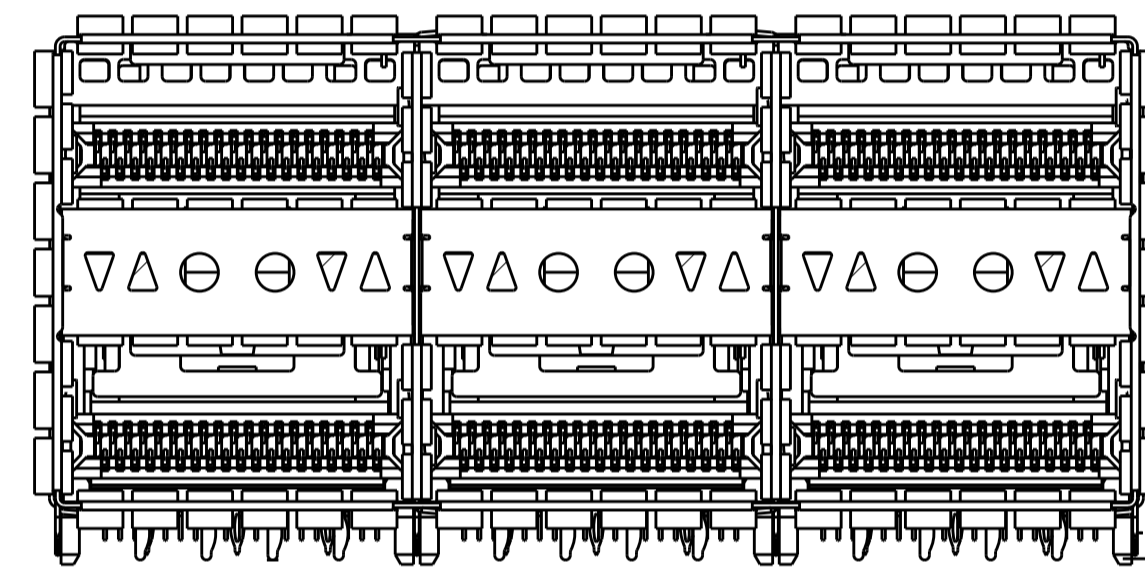
1-2227671-0
 LEFT INDICATOR UP, 2LP
 SCALE 5:2



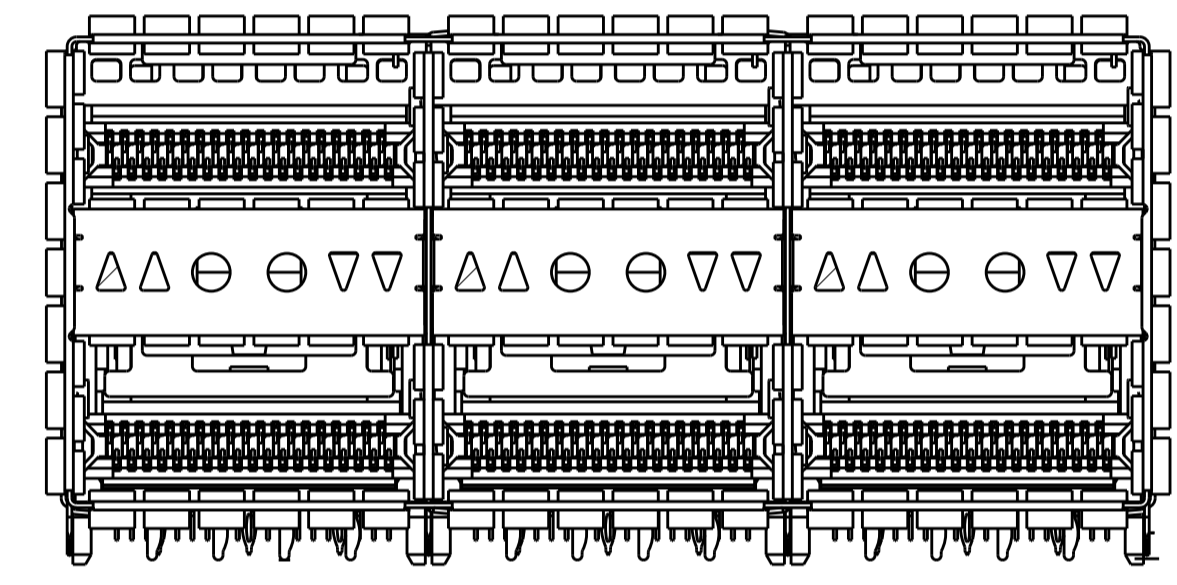
2227671-7
 ALL INDICATOR UP, 4LP
 SCALE 5:2



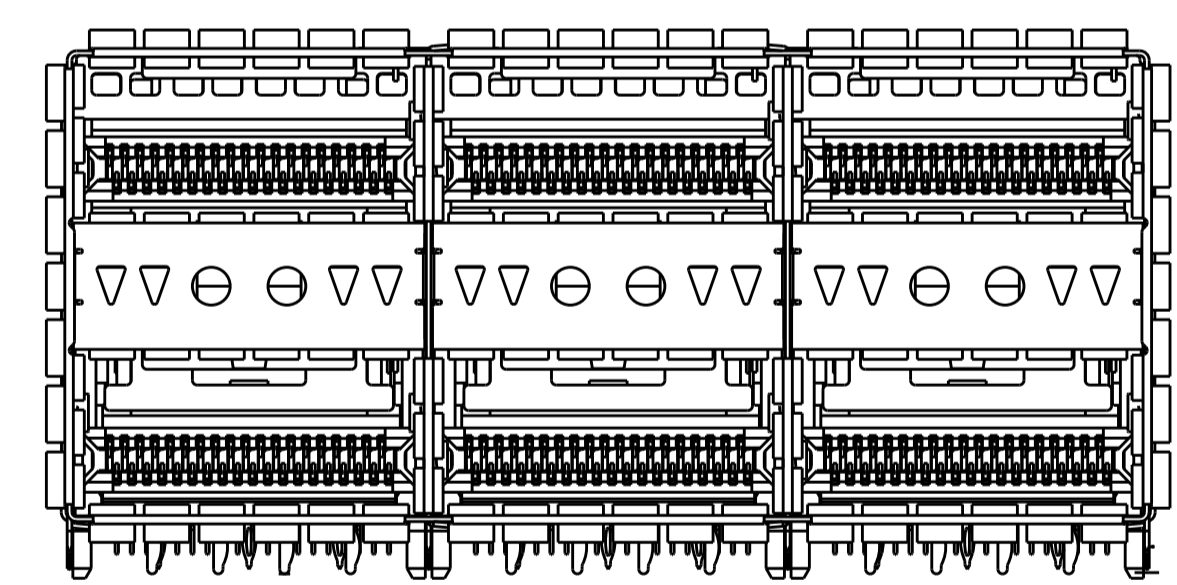
2227671-8
 LEFT INDICATOR UP, 4LP
 SCALE 5:2



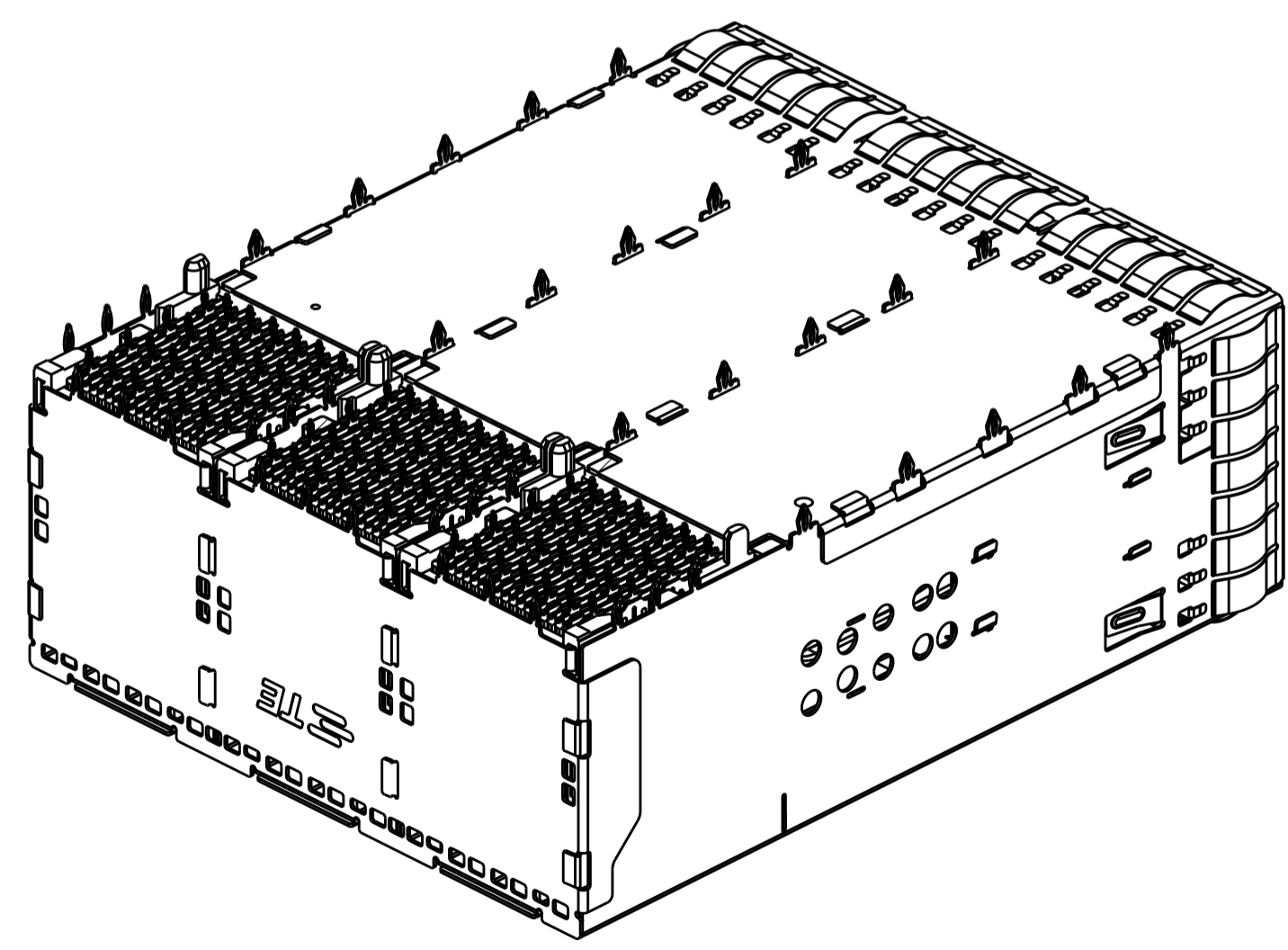
2227671-9
 LEFT INDICATOR DOWN, 4LP
 SCALE 5:2



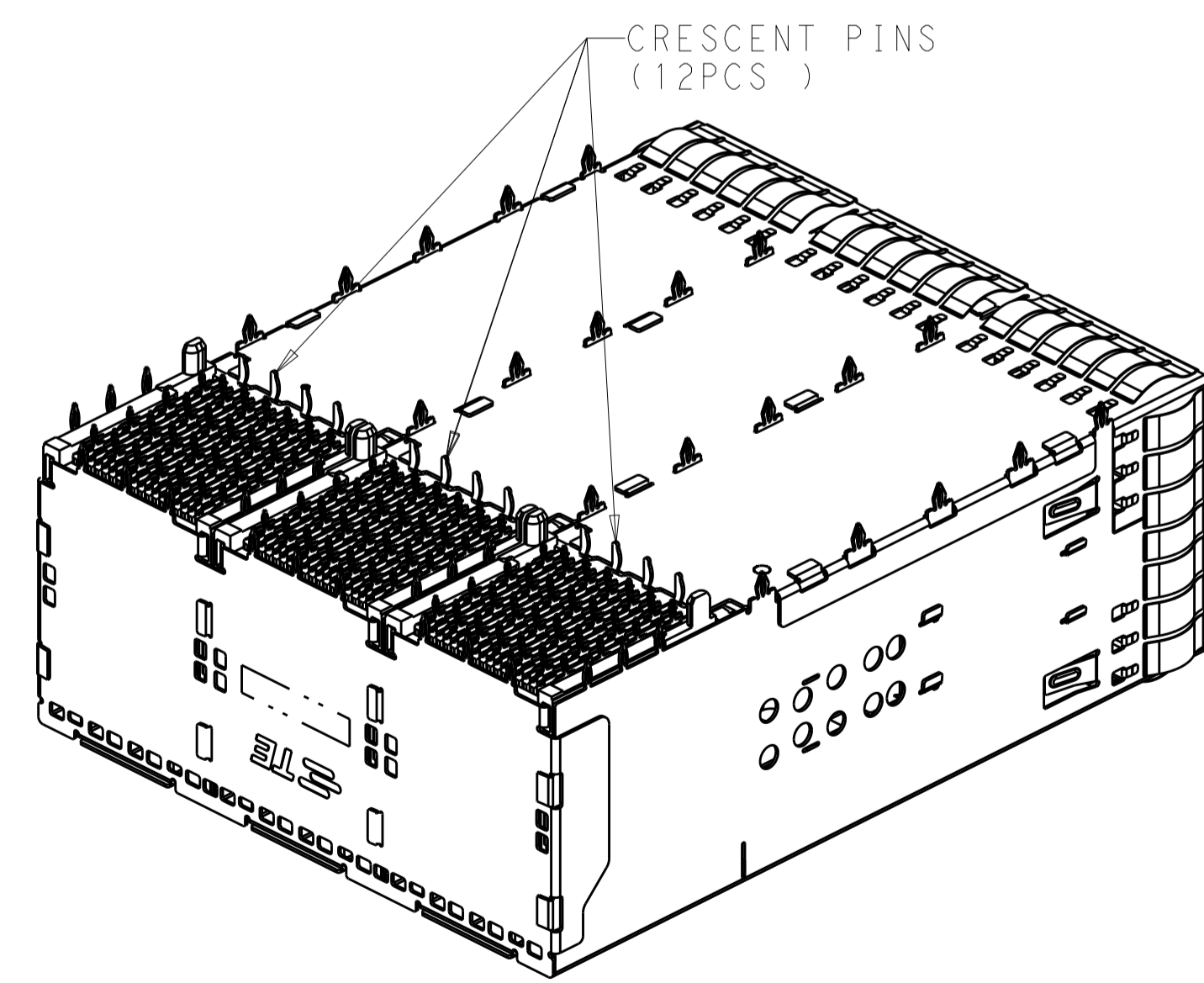
1-2227671-1
 DUAL LEFT INDICATOR UP, 4 LP
 SCALE 5:2



1-2227671-2
 ALL INDICATOR DOWN, 4 LP
 SCALE 5:2



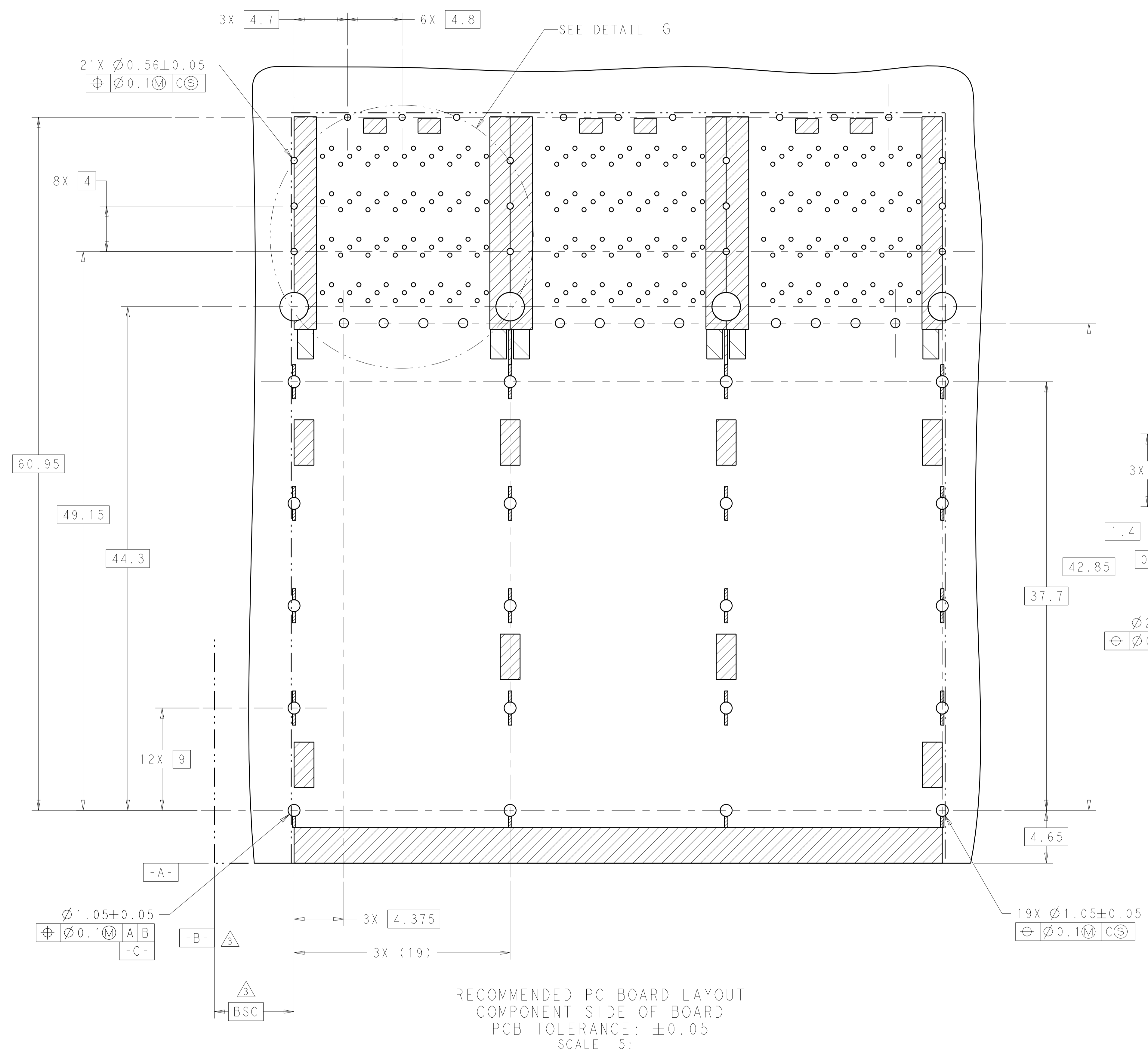
ONLY 1-2227671-0 AS SHOWN WITHOUT CRESCENT PINS
 SCALE 2:1



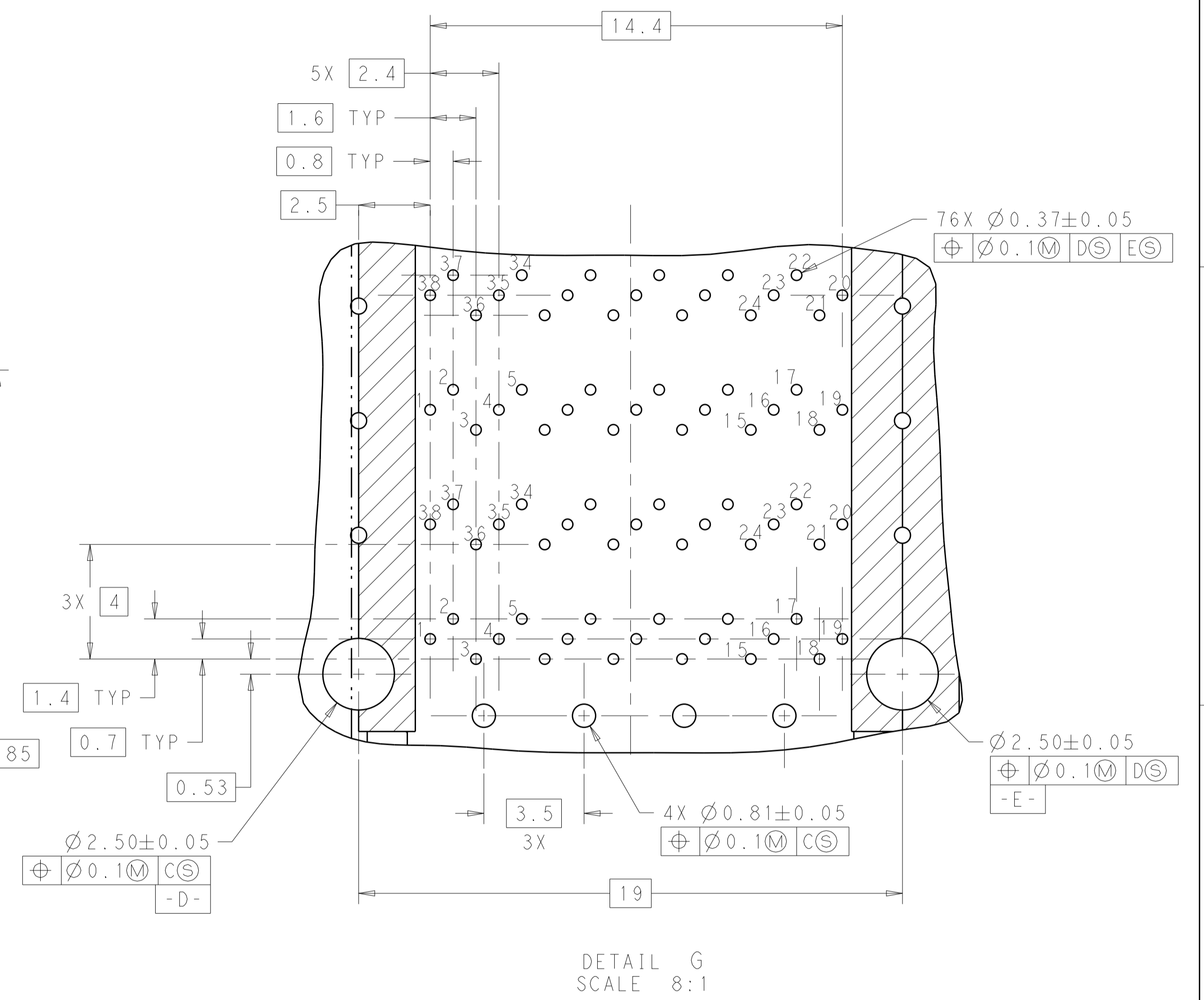
2227671-1 TO 2227671-9, 1-2227671-1
 AND 1-2227671-2 AS SHOWN WITH CRESCENT PINS
 SCALE 2:1

THIS DRAWING IS A CONTROLLED DOCUMENT.		OWN: M. SHIRK 18JAN2013	TE Connectivity NAME: CAGE AND CONNECTOR ASSEMBLY, WITH EMI SPRING, THRU BEZEL, 2X3, ZQSFP+ STACKED
DIMENSIONS: mm		CHK: D. SZCZESNY 18JAN2013	
TOLERANCES UNLESS OTHERWISE SPECIFIED:		APVD: -	PRODUCT SPEC: 108-60102
0 PLC ±		APVD: -	APPLICATION SPEC: 114-60015
1 PLC ±0.25		APVD: -	WEIGHT: -
2 PLC ±0.15		APVD: -	FINISH: -
3 PLC ±		APVD: -	RESTRICTED TO: -
4 PLC ±		APVD: -	SIZE: A1
ANGLES ±		APVD: -	CAGE CODE: 100779
MATERIAL: -		APVD: -	DRAWING NO: C=2227671
SEE NOTE 1		APVD: -	CUSTOMER DRAWING
SEE NOTE 2		APVD: -	SCALE: 4:1
		APVD: -	SHEET: 1 OF 6
		APVD: -	REV: A

LOC	DIST	REVISIONS			
P	LTN	DESCRIPTION	DATE	DWN	APVD
-	-	SEE SHEET 1	-	-	-

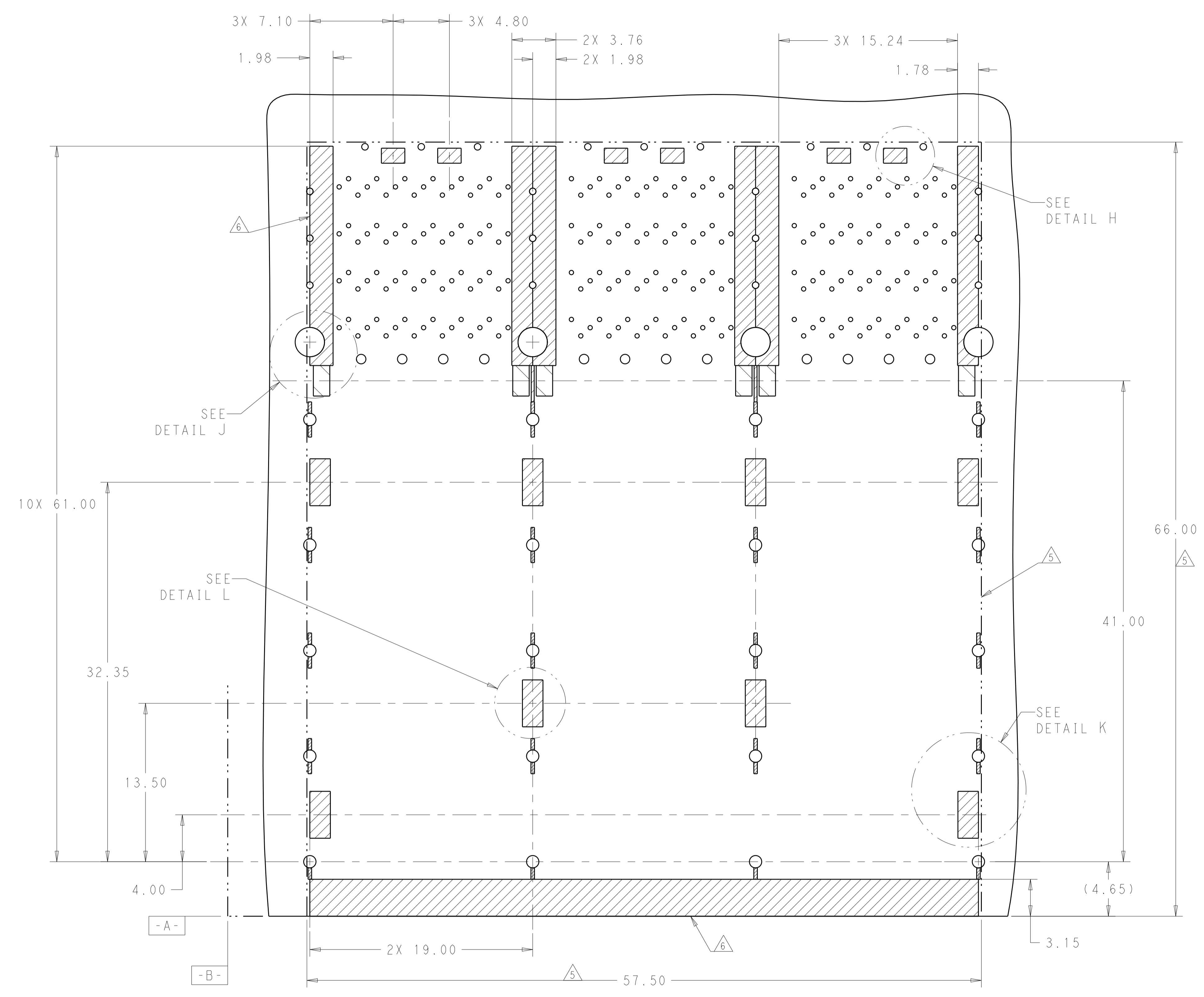


RECOMMENDED PCB BOARD LAYOUT
 COMPONENT SIDE OF BOARD
 PCB TOLERANCE: ± 0.05
 SCALE 5:1

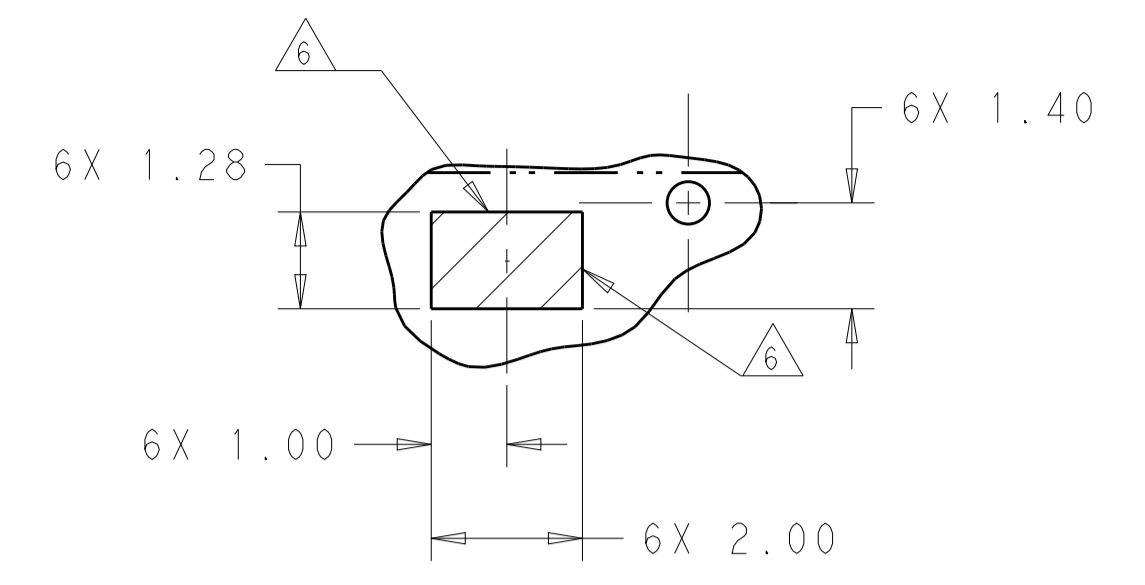


THIS DRAWING IS A CONTROLLED DOCUMENT.		DWN M. SHIRK 18JAN2013	TE Connectivity
DIMENSIONS: mm		CHK D. SZCZESNY 18JAN2013	
TOLERANCES UNLESS OTHERWISE SPECIFIED:		APVD	NAME
0 PLC \pm	1 PLC ± 0.25	PRODUCT SPEC	CAGE AND CONNECTOR ASSEMBLY,
2 PLC ± 0.15	3 PLC \pm	108-60102	WITH EMI SPRING, THRU BEZEL, 2X3,
4 PLC \pm	ANGLES \pm	APPLICATION SPEC	ZQSFP+ STACKED
MATERIAL	FINISH	114-60015	SIZE CAGE CODE DRAWING NO
SEE NOTE 1	SEE NOTE 2	WEIGHT	A100779C=2227671
CUSTOMER DRAWING		SCALE 4:1	SHEET 1 OF 6 REV A

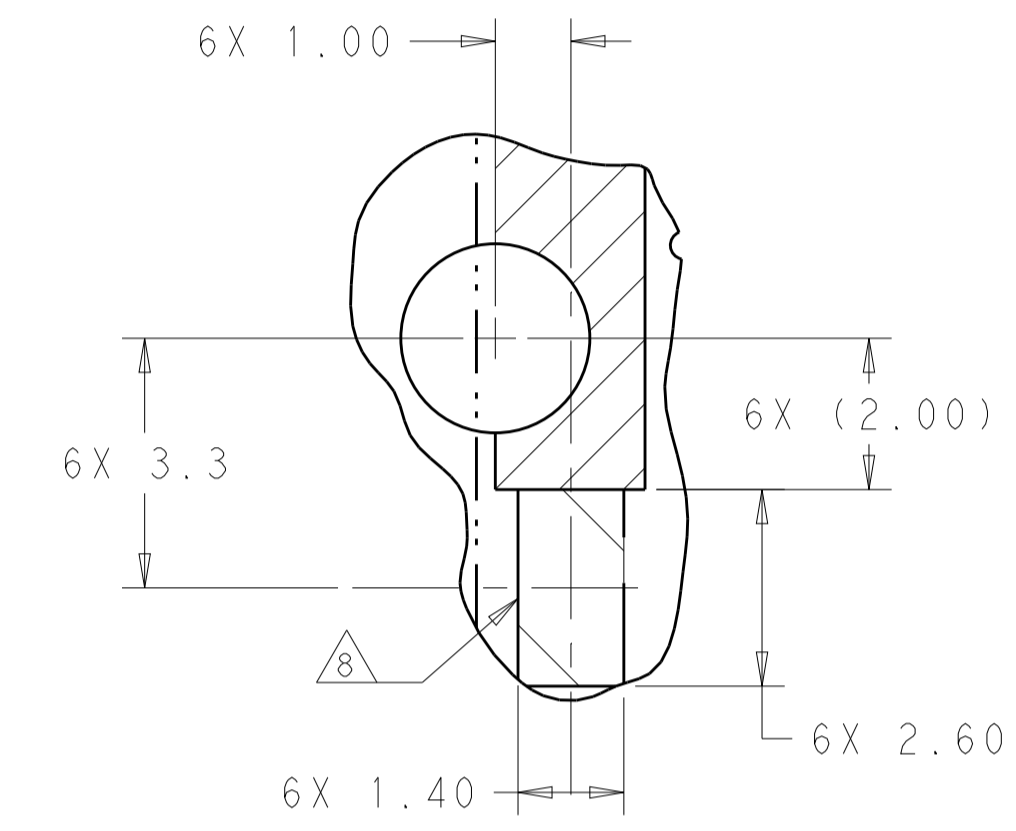
LOC		DIST		REVISIONS			
P	LTN	DESCRIPTION	DATE	DMN	APVD		
-	-	SEE SHEET 1	-	-	-		



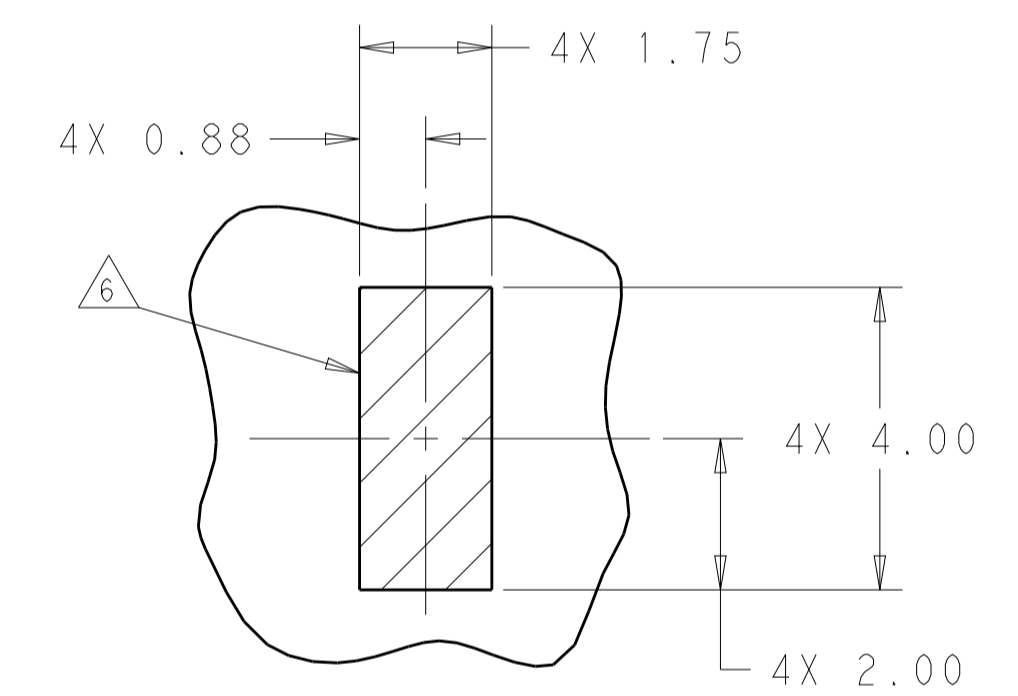
KEEPOUT AREAS COMPONENT
 SIDE OF BOARD FOR 2 LP
 SCALE 5:1



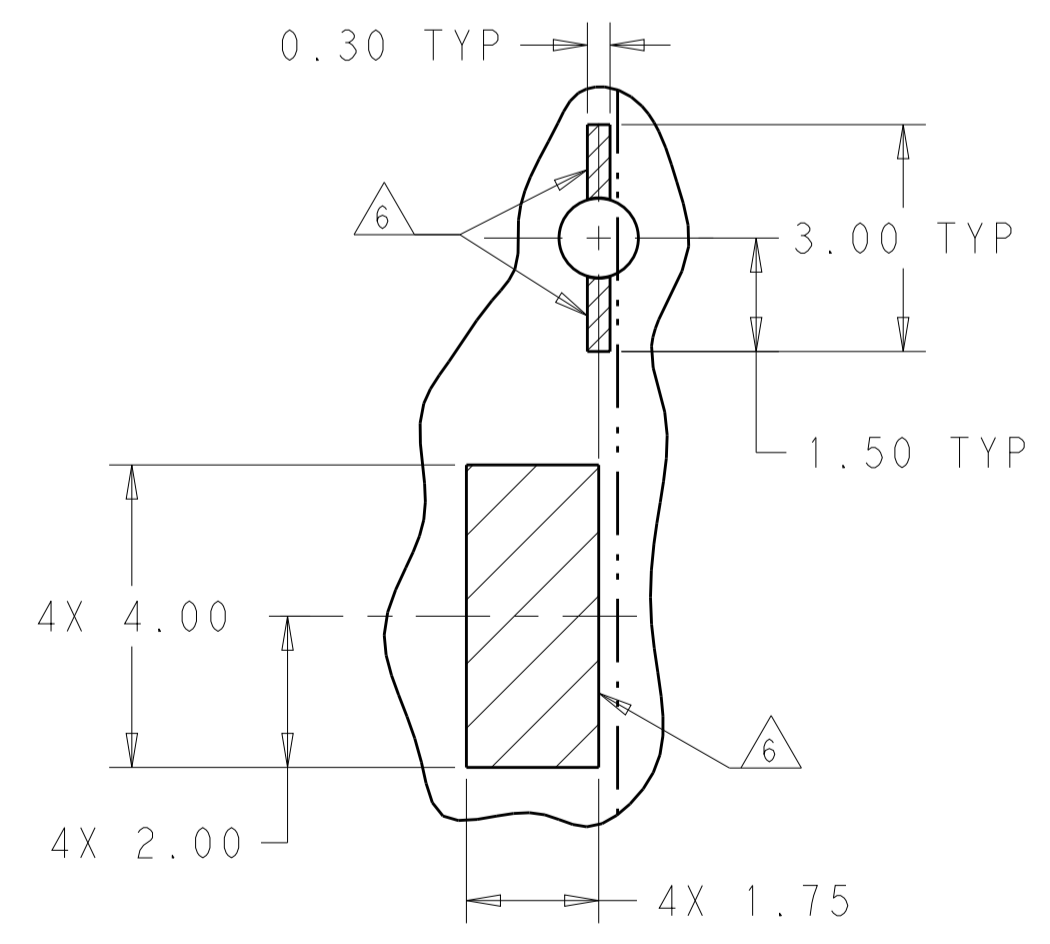
DETAIL H
 SCALE 10:1



DETAIL J
 LED PADS
 SCALE 10:1



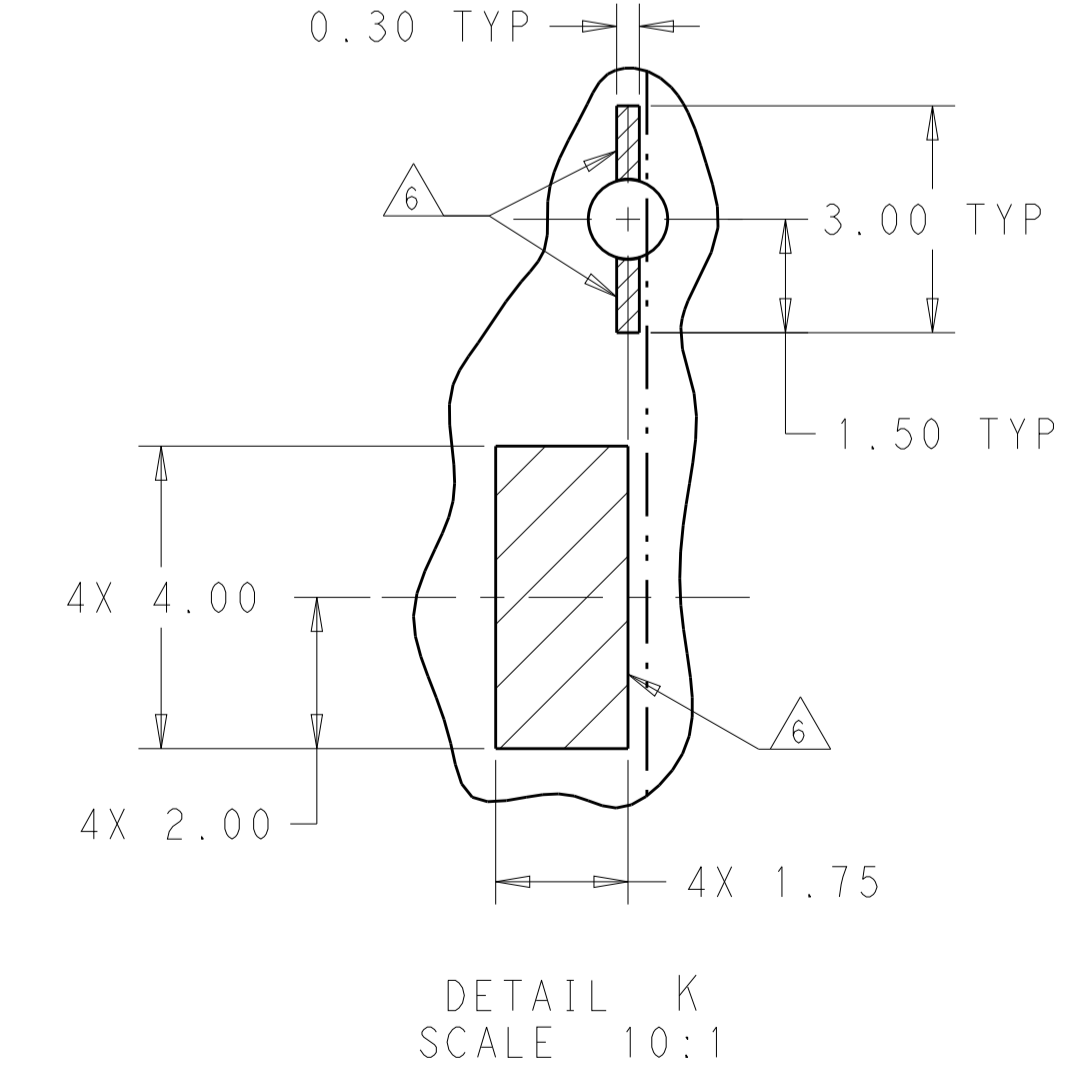
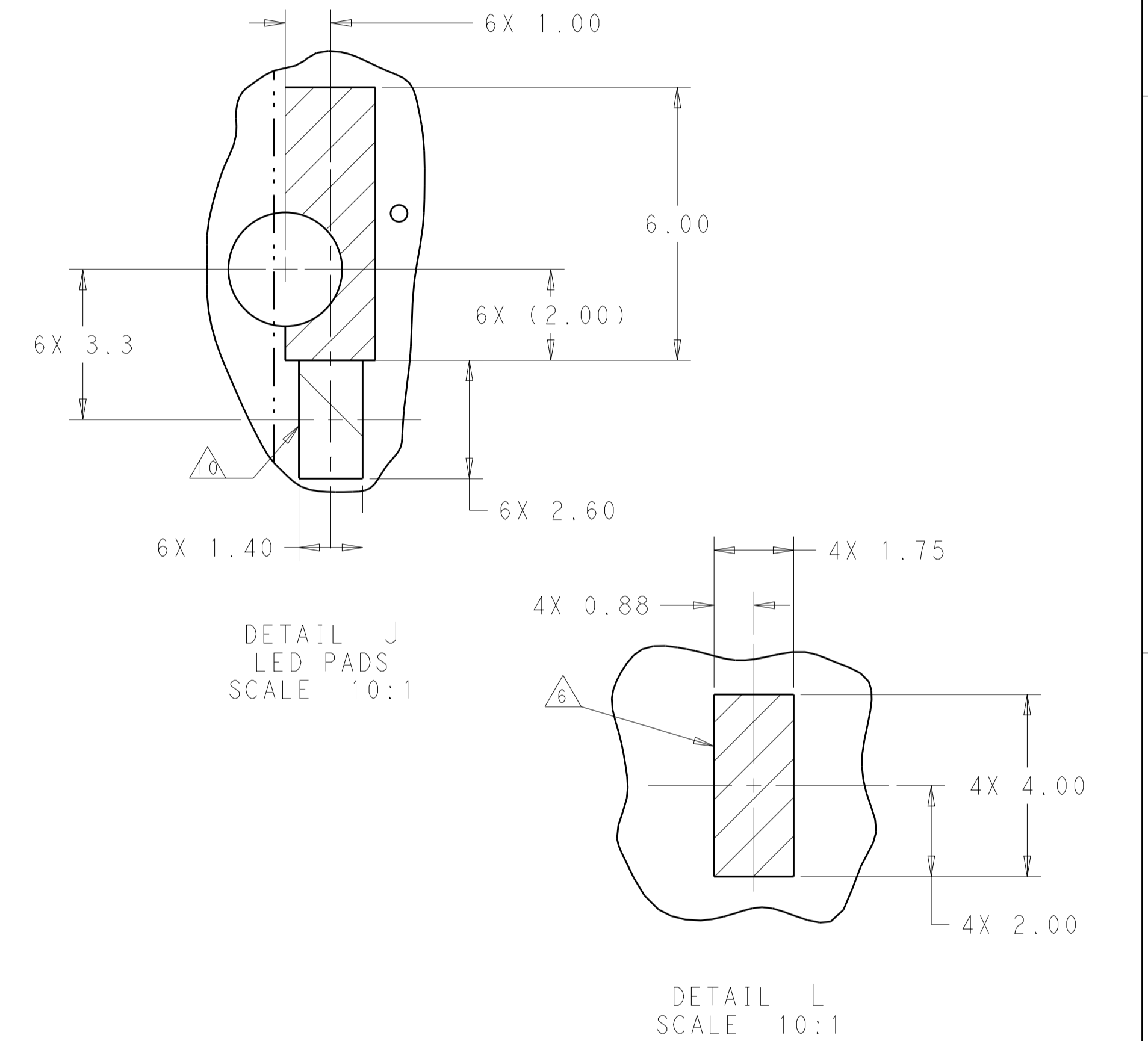
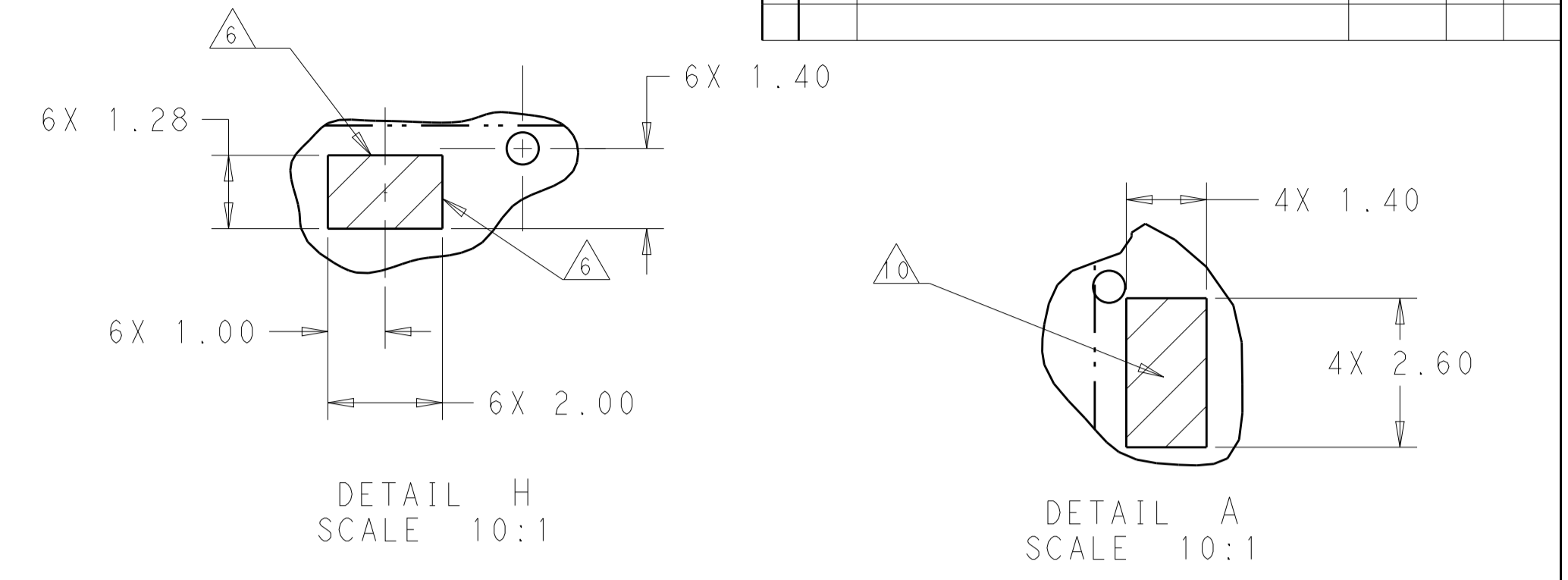
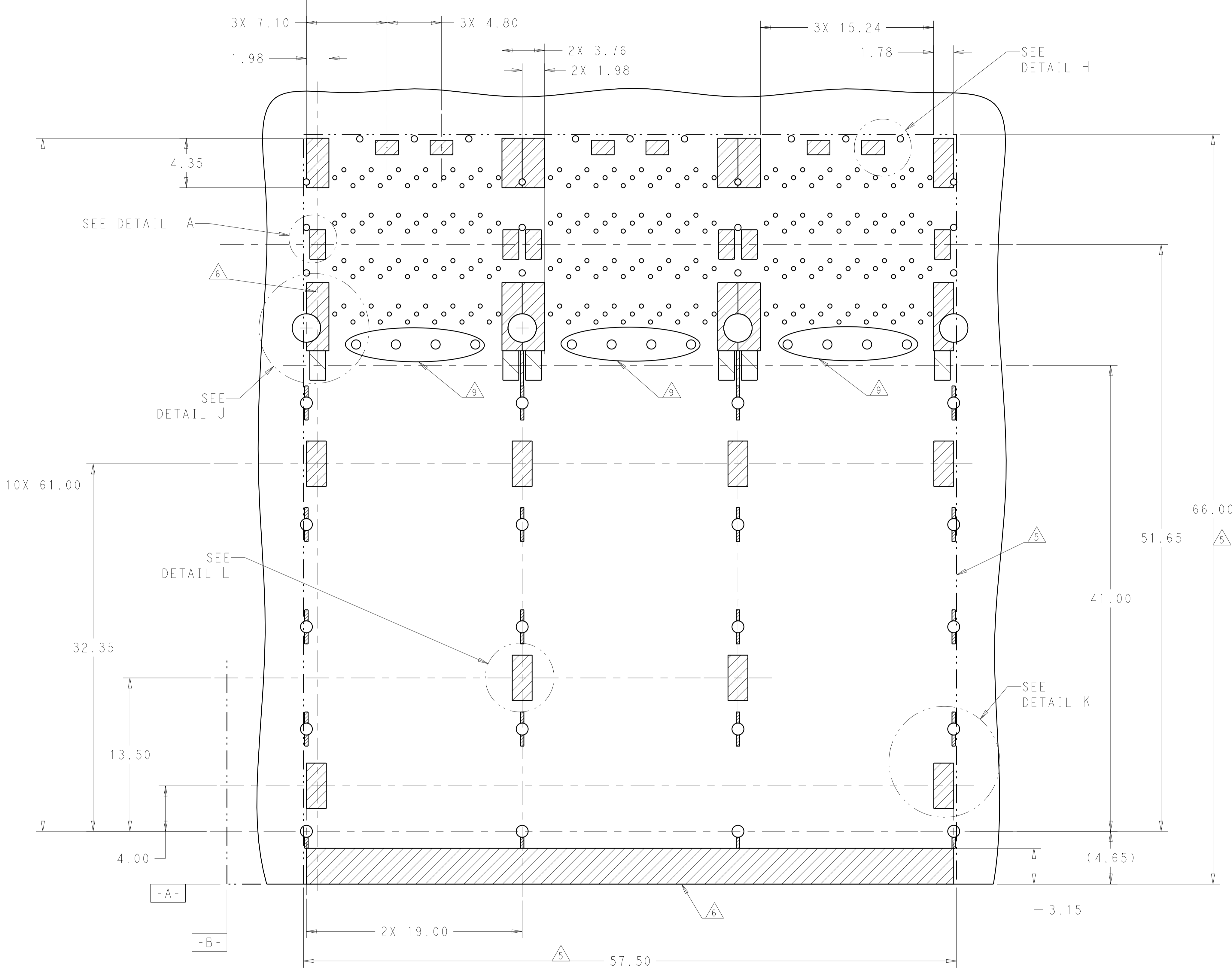
DETAIL L
 SCALE 10:1



DETAIL K
 SCALE 10:1

THIS DRAWING IS A CONTROLLED DOCUMENT.		DMN M. SHIRK 18JAN2013	TE Connectivity
DIMENSIONS: mm		CHK D. SZCZESNY 18JAN2013	
TOLERANCES UNLESS OTHERWISE SPECIFIED:		APVD	NAME
0 PLC ±0.25	1 PLC ±0.15	PRODUCT SPEC	CAGE AND CONNECTOR ASSEMBLY, WITH EMI SPRING, THRU BEZEL, 2X3, ZQSPF+ STACKED
2 PLC ±0.15	3 PLC ±0.15	APPLICATION SPEC	RESTRICTED TO
4 PLC ±0.15	ANGLES ±0.15	114-60015	SIZE CAGE CODE DRAWING NO
MATERIAL	FINISH	WEIGHT	A100779C=2227671
SEE NOTE 1	SEE NOTE 2	CUSTOMER DRAWING	SCALE 4:1 SHEET 1 OF 6 REV A

LOC	DIST	REVISIONS			
P	LTN	DESCRIPTION	DATE	DMN	APVD
-	-	SEE SHEET 1	-	-	-



KEEPOUT AREAS COMPONENT
 SIDE OF BOARD FOR 4 LP
 SCALE 5:1

THIS DRAWING IS A CONTROLLED DOCUMENT.		DMN M. SHIRK 18JAN2013	TE Connectivity
DIMENSIONS:		CHK D. SZCZESNY 18JAN2013	
mm	TOLERANCES UNLESS OTHERWISE SPECIFIED:	APVD	NAME
0 PLC	±	PRODUCT SPEC	CAGE AND CONNECTOR ASSEMBLY,
2 PLC	±0.25	108-60102	WITH EMI SPRING, THRU BEZEL, 2X3,
3 PLC	±0.15	APPLICATION SPEC	ZQSFP+ STACKED
4 PLC	±	SIZE	114-60015
ANGLES	±	WEIGHT	A100779C=2227671
MATERIAL	FINISH	CUSTOMER DRAWING	RESTRICTED TO
SEE NOTE 1	SEE NOTE 2	SCALE 4:1	SHEET 1 OF 6 REV A