



Chipsmall Limited consists of a professional team with an average of over 10 year of expertise in the distribution of electronic components. Based in Hongkong, we have already established firm and mutual-benefit business relationships with customers from,Europe,America and south Asia,supplying obsolete and hard-to-find components to meet their specific needs.

With the principle of “Quality Parts,Customers Priority,Honest Operation,and Considerate Service”,our business mainly focus on the distribution of electronic components. Line cards we deal with include Microchip,ALPS,ROHM,Xilinx,Pulse,ON,Everlight and Freescale. Main products comprise IC,Modules,Potentiometer,IC Socket,Relay,Connector.Our parts cover such applications as commercial,industrial, and automotives areas.

We are looking forward to setting up business relationship with you and hope to provide you with the best service and solution. Let us make a better world for our industry!



Contact us

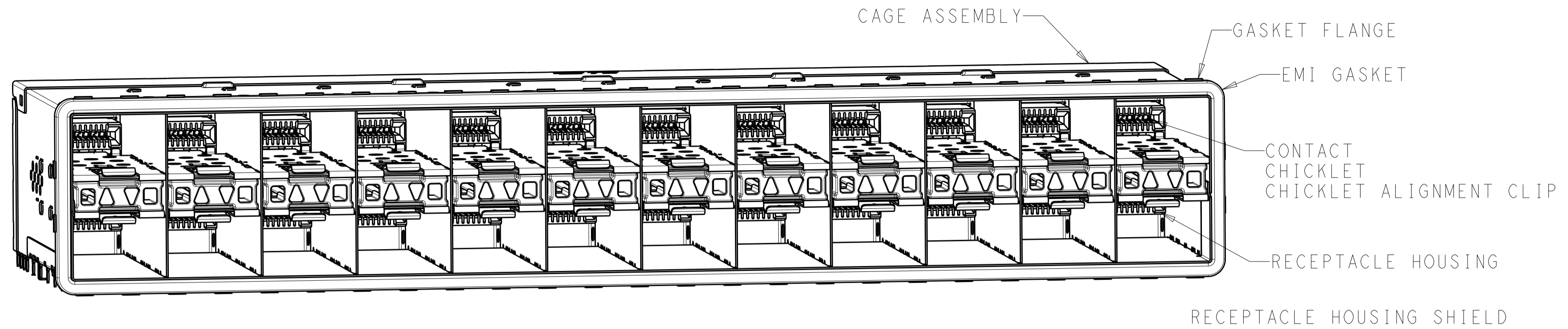
Tel: +86-755-8981 8866 Fax: +86-755-8427 6832

Email & Skype: info@chipsmall.com Web: www.chipsmall.com

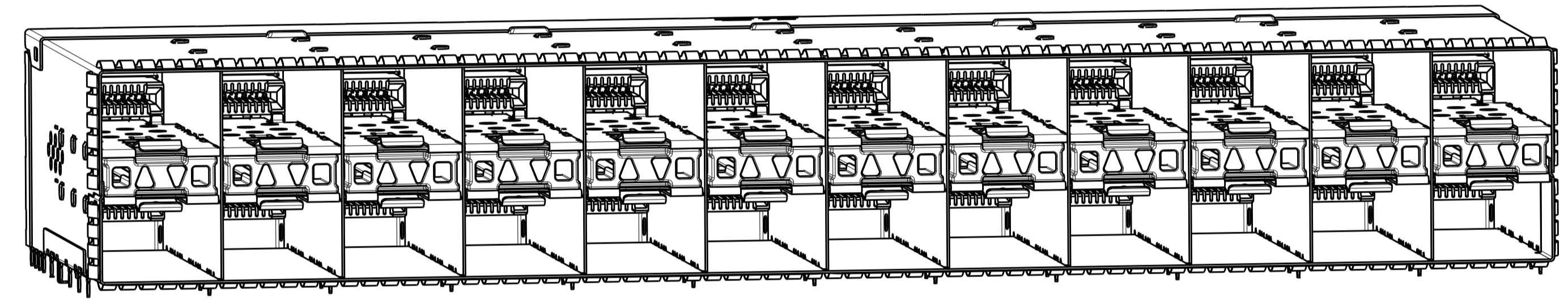
Address: A1208, Overseas Decoration Building, #122 Zhenhua RD., Futian, Shenzhen, China



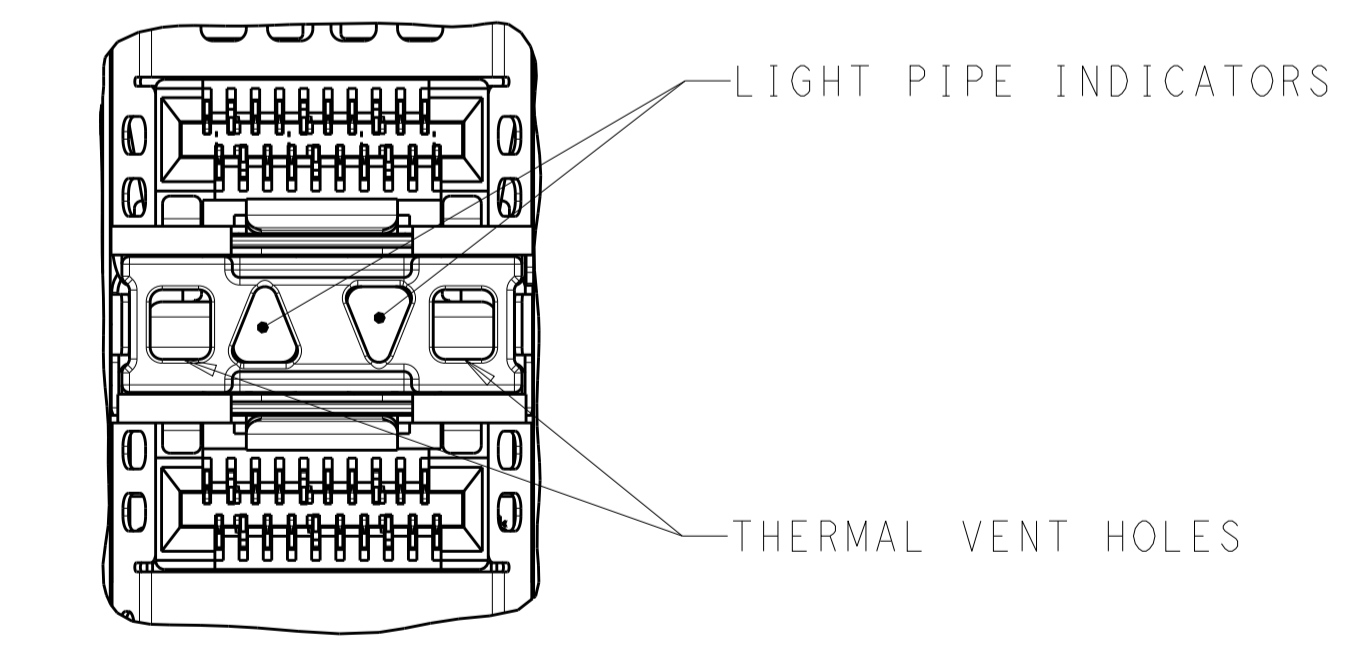
LOC	DIST	REVISIONS					
GP	00	P	LTN	DESCRIPTION	DATE	DWN	APVD
		4		REVISED	24OCT2014	CJV	PAR
		5		REVISED	03DEC2014	CJV	PAR
		6		REVISED	25SEP2015	PP	SH
		A		MASS PRODUCTION	20DEC2015	PP	SH



2227838-8



2227838-7



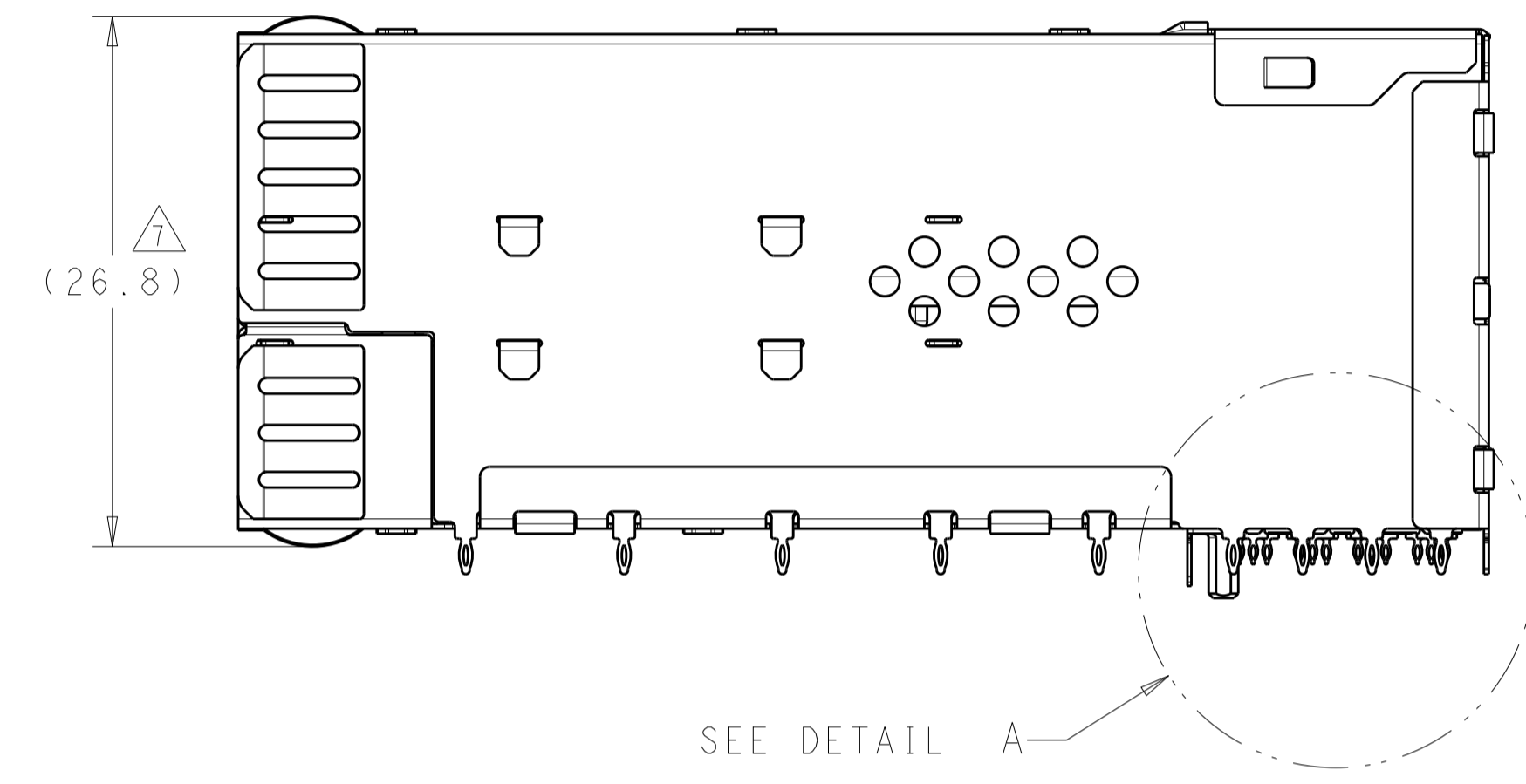
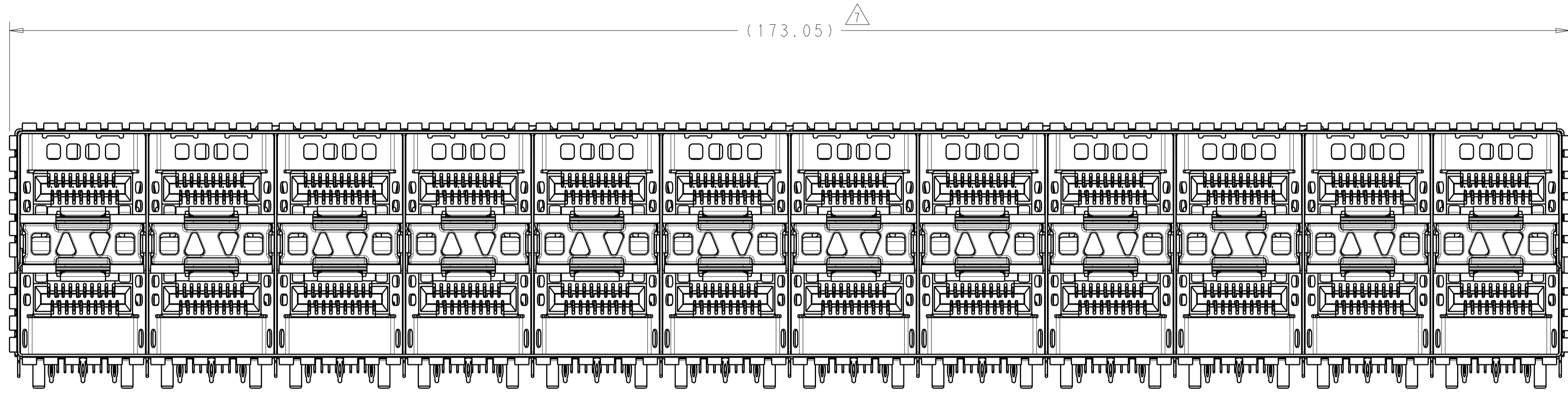
INNER LIGHT PIPE
 2227838-8, 2227838-7
 SCALE 4:1

- MATERIALS:**
 CAGE ASSEMBLY - NICKEL-SILVER ALLOY PER ASTM B 122
 RECEPTACLE HOUSING - LCP, BLACK, UL 94V-0 RATED
 RECEPTACLE HOUSING SHIELD - COPPER ALLOY
 CHICKLET - LCP, BLACK, UL 94V-0 RATED
 CHICKLET ALIGNMENT CLIP - PBT
 CONTACT - COPPER ALLOY
 EMI GASKET - ELASTOMERIC
 GASKET FLANGE - STAINLESS STEEL
 LIGHT PIPE - POLYCARBONATE
 LIGHT PIPE HOUSING - ZINC ALLOY
 EMI SPRINGS - PHOSPHOR BRONZE PER ASTM B103
- CONTACT FINISH:**
 CONFORMS TO THE REQUIREMENTS OF TYCO ELECTRONICS
 PRODUCT SPECIFICATION 108-2481, BASED ON EIA/ECA-364-1000.01A,
 (CONTROLLED ENVIRONMENT APPLICATIONS) ON MATING INTERFACE,
 TIN ON NEEDLE EYE
- PCB MINIMUM THICKNESS = 1.5mm**
- FOR HOLE SIZE AND PLATINGS,
 SEE APPLICATION SPECIFICATION 114-13319
- LIGHT PIPE PAD LAYOUT IS FOR 0805 LOW PROFILE
 LED PACKAGE WITH A HEIGHT OF 0.8mm
- THE ENTIRE AREA OF THE CONNECTOR FOOTPRINT, INDICATED BY THE
 DASHED LINE, TO BE CONSIDERED THE KEEPOUT AREA FOR COMPONENTS
 AND SIGNAL TRACES, TOP SIDE ONLY, TOP SIDE TRACES ALLOWED
 WITHIN CONNECTOR HOLE PATTERN
- DIMENSION APPLIES FROM EMI SPRINGS ONLY.

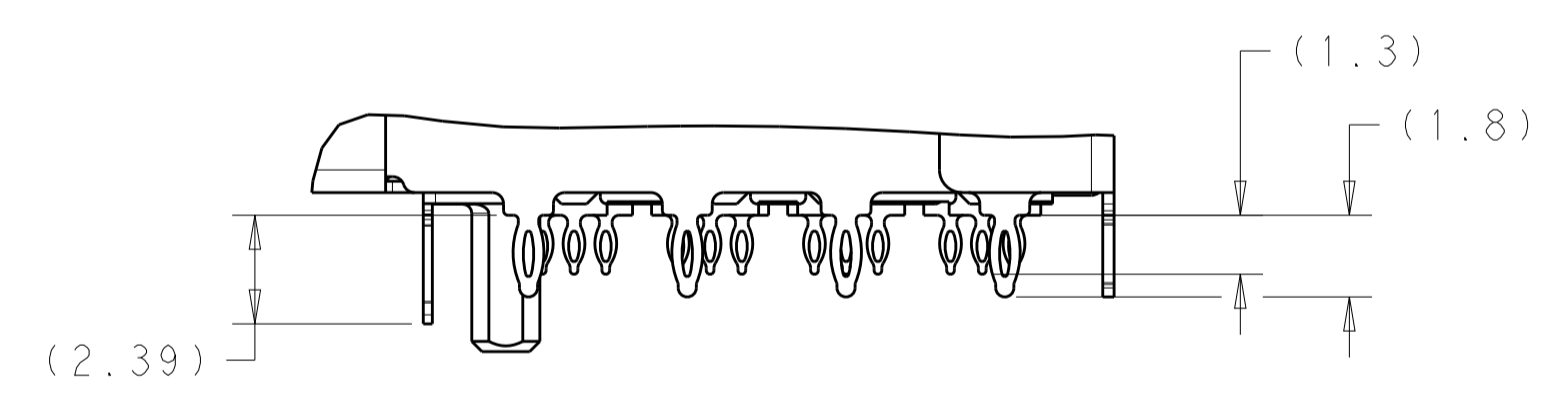
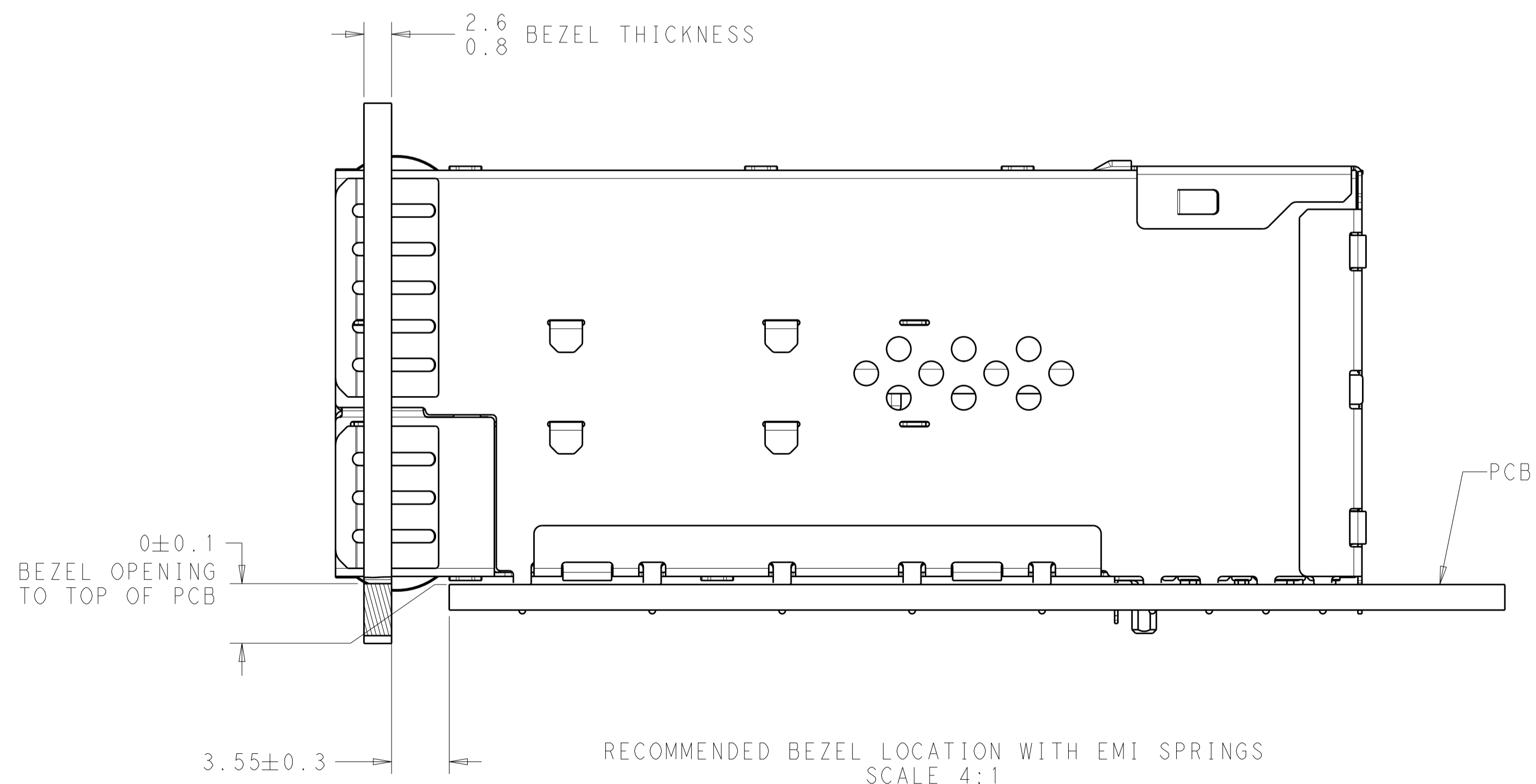
173.5	EMI SPRINGS	INNER	2227838-7
176.25	EMI GASKET	INNER	2227838-8
(E)	CAGE TYPE	LIGHT PIPE CONFIGURATION	PART NUMBER

THIS DRAWING IS A CONTROLLED DOCUMENT. DIMENSIONING AND TOLERANCING PER ASME Y14.5M-2009.		DWN M. SHIRK 26MAR2013	26MAR2013	TE Connectivity
DIMENSIONS: mm		CHK M. PHILLIPS 26MAR2013	APVD	
TOLERANCES UNLESS OTHERWISE SPECIFIED:		PRODUCT SPEC		RECEPTACLE ASSEMBLY, 2X12, STACKED, zSFP+ THERMALLY ENHANCED
0 PLC ±0.10		108-2481		
1 PLC ±0.10		APPLICATION SPEC		SIZE
2 PLC ±0.10		114-13319		CAGE CODE
3 PLC ±0.10		FINISH		DRAWING NO
4 PLC ±0.10		WEIGHT		RESTRICTED TO
ANGLES		CUSTOMER DRAWING		A100779C=2227838
FINISH		SCALE		SHEET 1 OF 5
SEE NOTES		SCALE 2:1		REV A

LOC	DIST	REVISIONS					
GP	00	P	LYN	DESCRIPTION	DATE	DWN	APVD
		-		SEE SHEET 1			



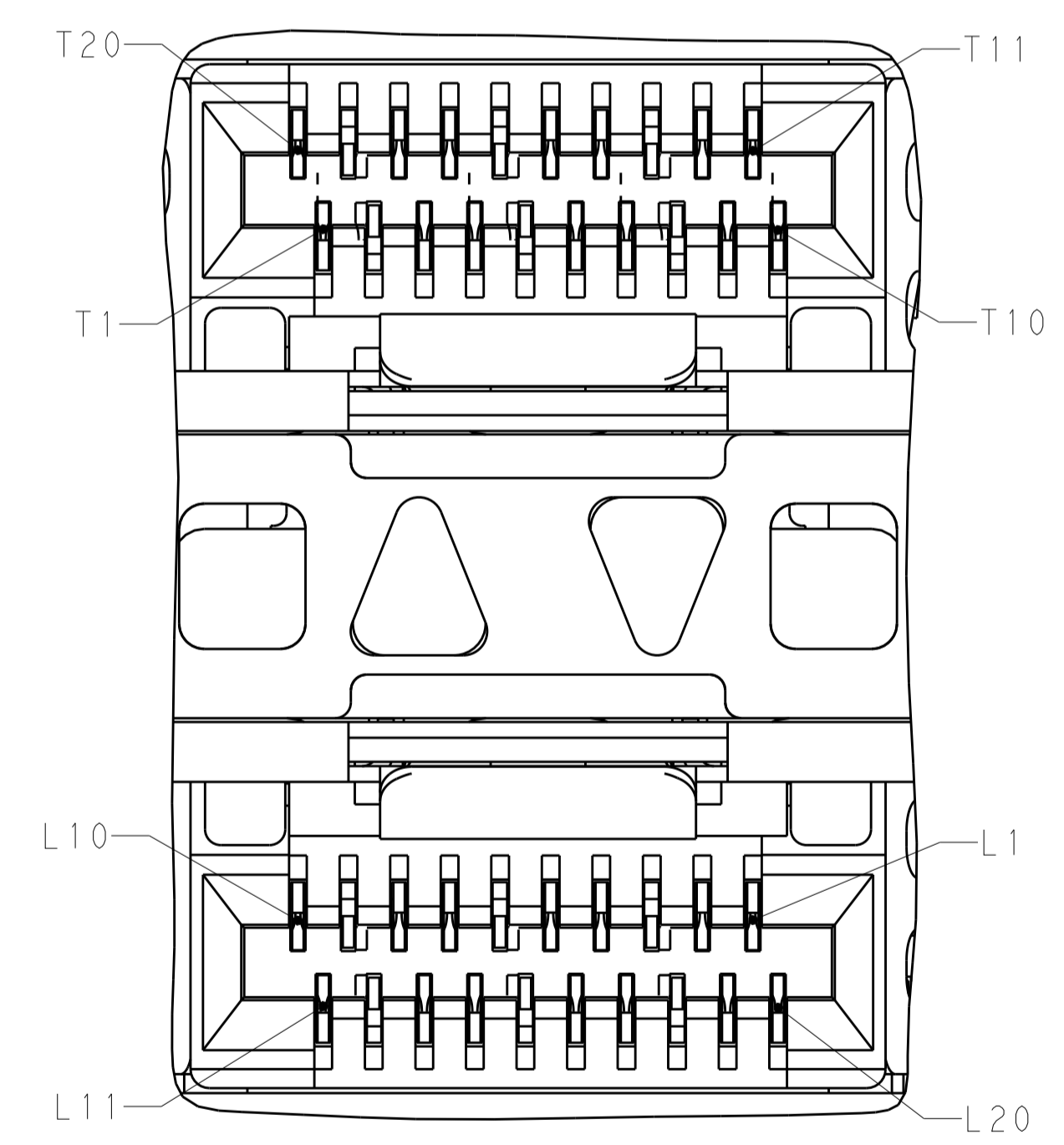
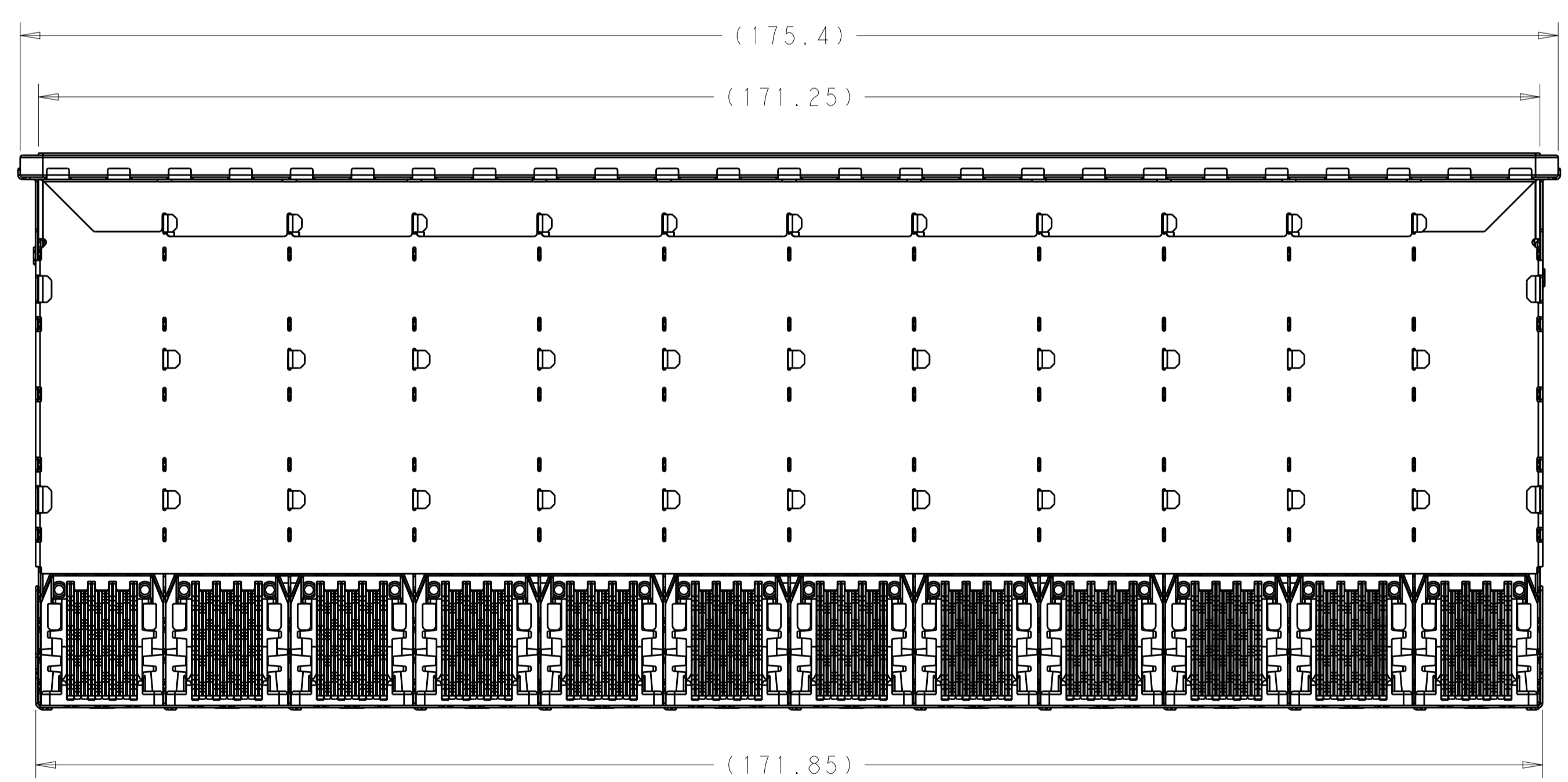
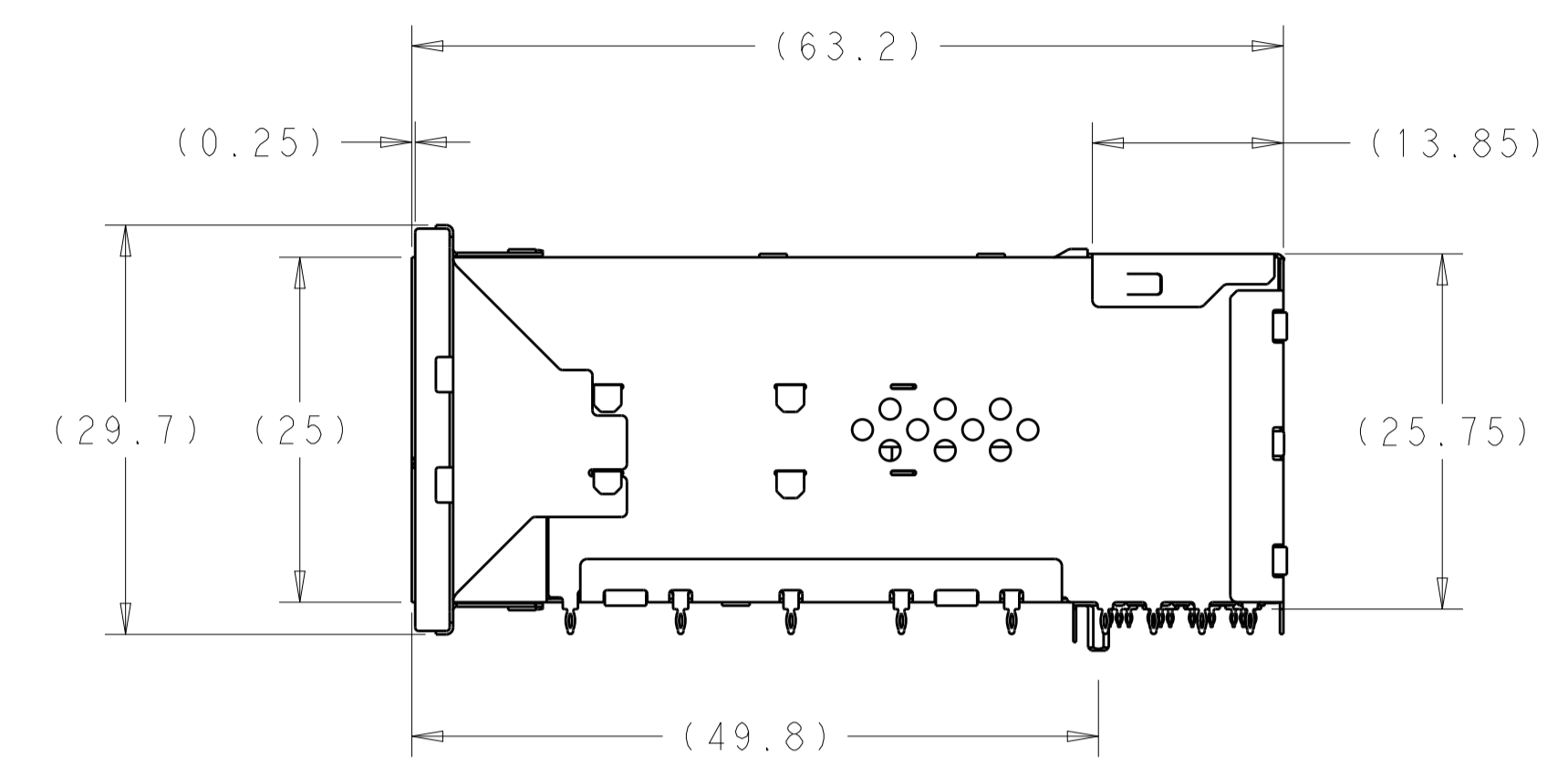
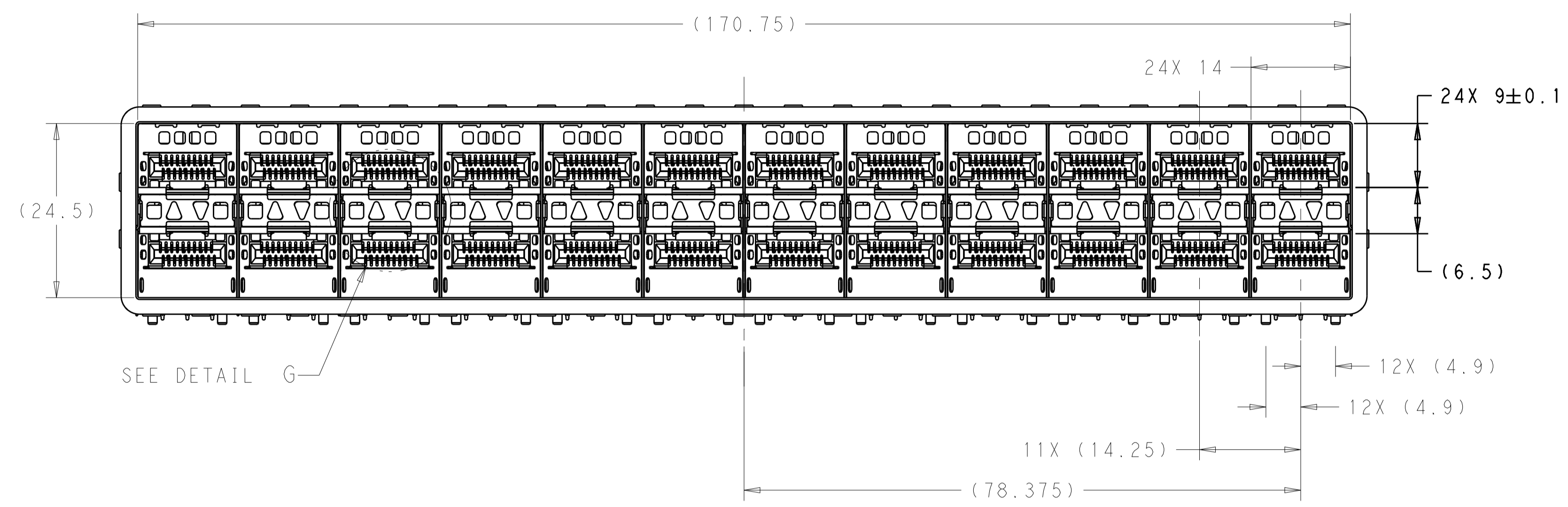
2227838-7
 EMI SPRINGS ONLY
 SCALE 3:1



DETAIL A
 SCALE 6:1

THIS DRAWING IS A CONTROLLED DOCUMENT.		DWN M. SHIRK 26MAR2013	TE Connectivity
DIMENSIONS:		CHK M. PHILLIPS 26MAR2013	
mm	TOLERANCES UNLESS OTHERWISE SPECIFIED:	APVD	NAME
0 PLC	±0.10	PRODUCT SPEC	RECEPTACLE ASSEMBLY, 2X12,
1 PLC	±0.10	108-2431	STACKED, zSFP+
2 PLC	±0.10	APPLICATION SPEC	THERMALLY ENHANCED
3 PLC	±0.10	114-13319	SIZE CAGE CODE DRAWING NO
4 PLC	±	WEIGHT	A100779C=2227838
ANGLES	±	CUSTOMER DRAWING	RESTRICTED TO
MATERIAL	FINISH	SCALE 2:1	SHEET 2 OF 5
SEE NOTES	SEE NOTES	REV A	

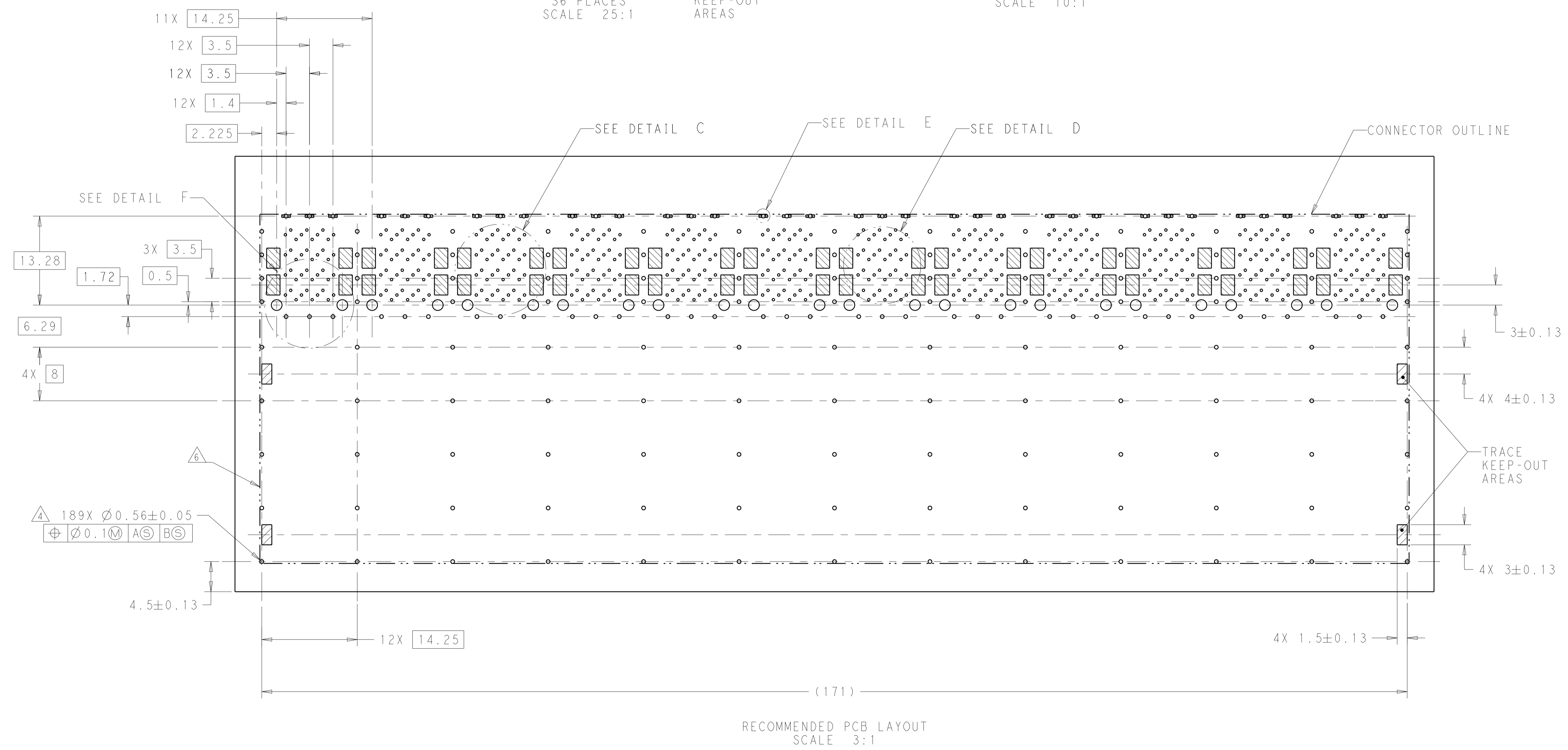
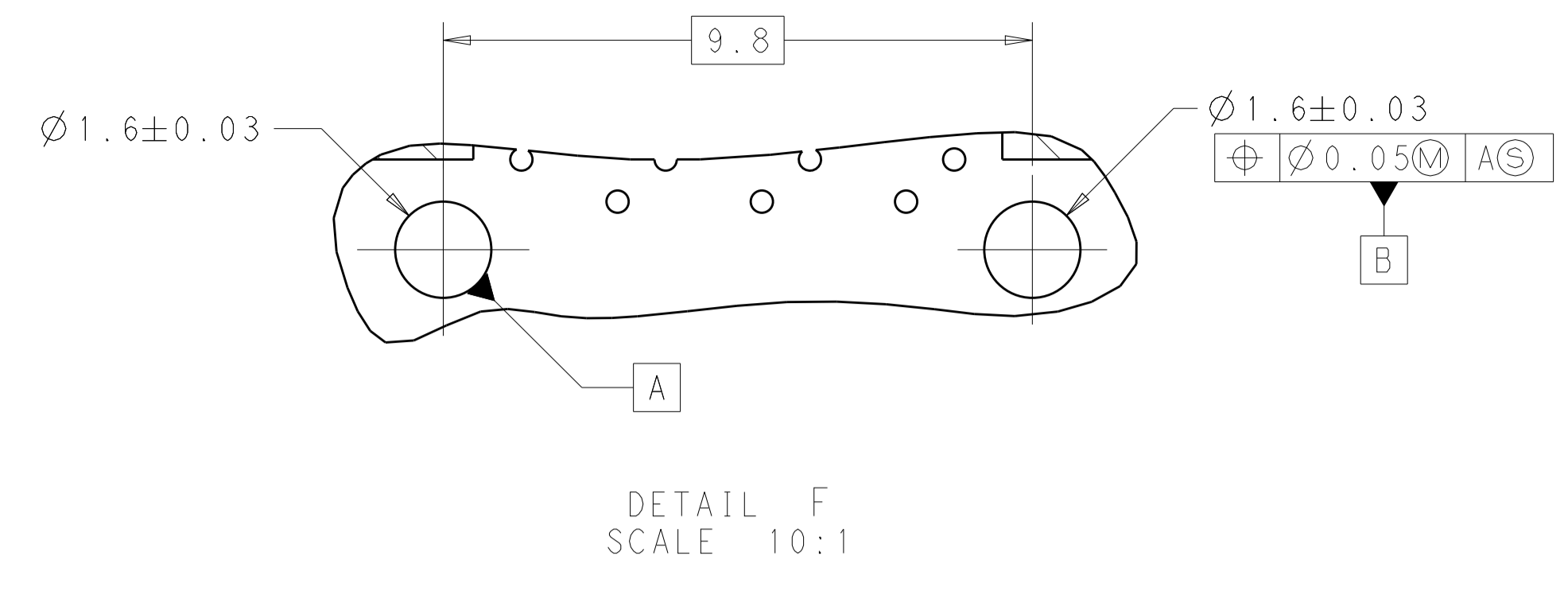
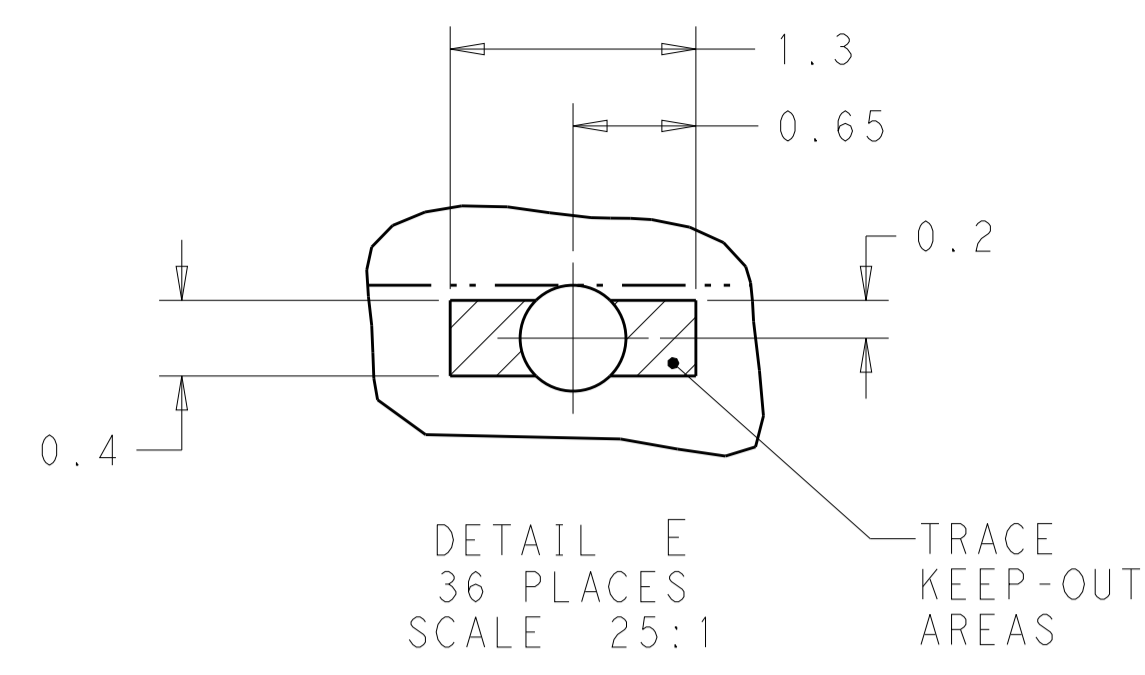
LOC		DIST		REVISIONS			
GP	00	P	LTN	DESCRIPTION	DATE	DMN	APVD
		-		SEE SHEET 1			



DETAIL G
 12X INDIVIDUALLY
 SCALE 10:1

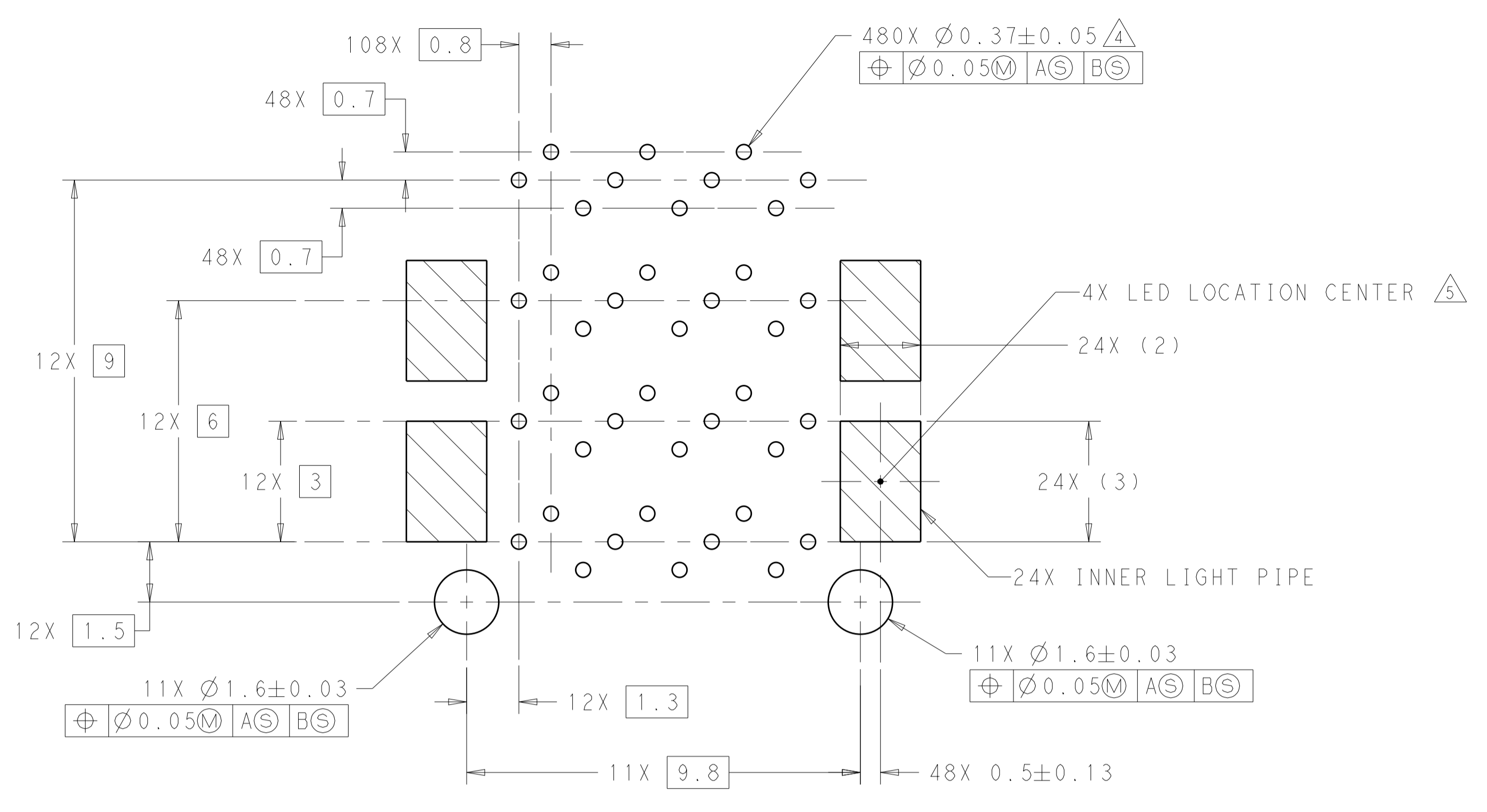
THIS DRAWING IS A CONTROLLED DOCUMENT. DIMENSIONING AND TOLERANCING PER ASME Y14.5M-2009.		DMN: M. SHIRK 26MAR2013 CHK: M. PHILLIPS 26MAR2013 APVD: -	TE Connectivity RECEPTACLE ASSEMBLY, 2X12, STACKED, zSFP+ THERMALLY ENHANCED
DIMENSIONS: mm	TOLERANCES UNLESS OTHERWISE SPECIFIED: 0 PLC ± 0.10 1 PLC ± 0.10 2 PLC ± 0.10 3 PLC ± 0.10 4 PLC ± 0.10 ANGLES \pm	PRODUCT SPEC: 108-2431 APPLICATION SPEC: 114-13319 WEIGHT: -	
MATERIAL: SEE NOTES	FINISH: SEE NOTES	CUSTOMER DRAWING	RESTRICTED TO: - SCALE: 2:1 SHEET 3 OF 5 REV A

LOC		DIST		REVISIONS			
GP	00	P	LYR	DESCRIPTION	DATE	OWN	APVD
		-	-	SEE SHEET 1	-	-	-

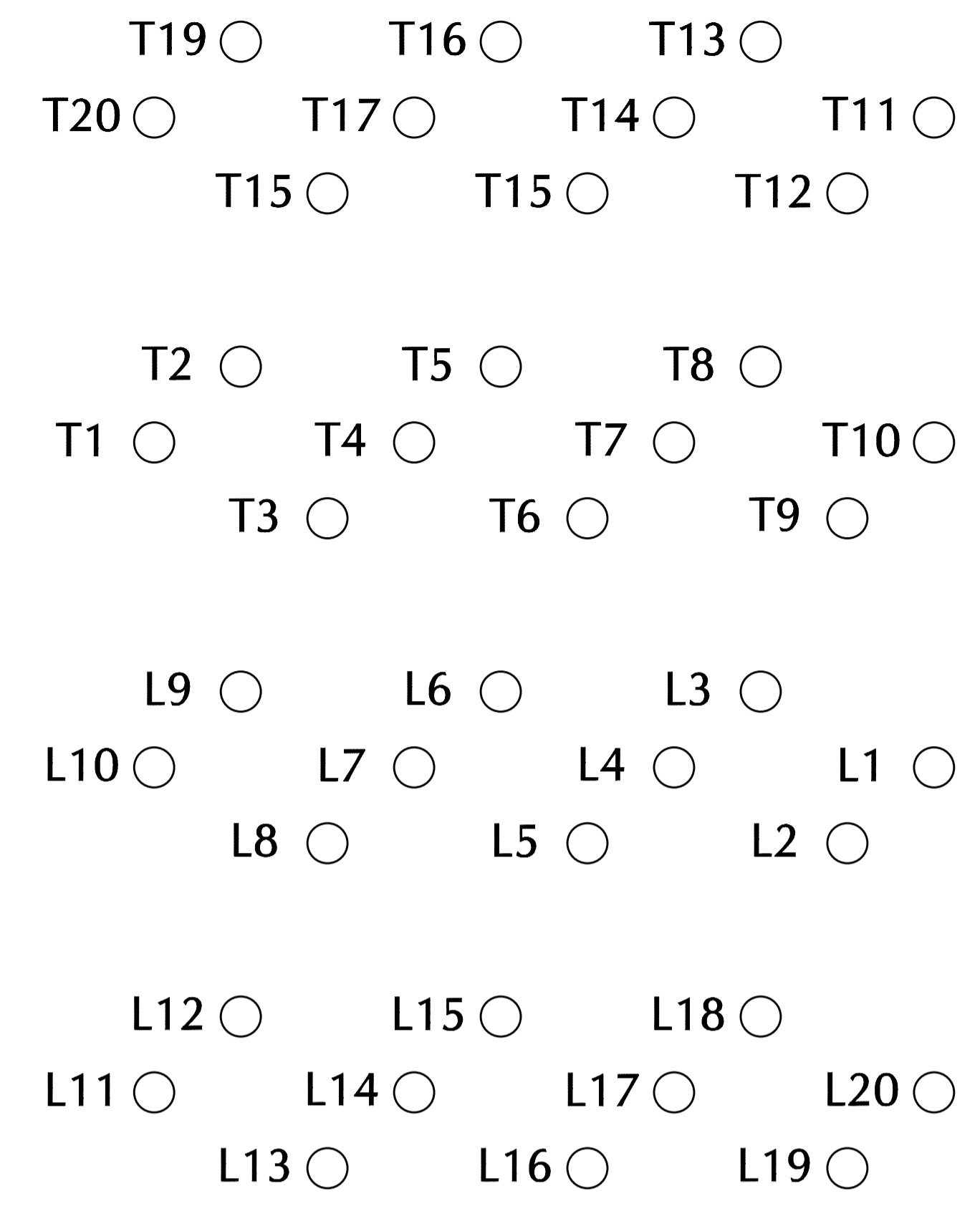


THIS DRAWING IS A CONTROLLED DOCUMENT. DIMENSIONING AND TOLERANCING PER ASME Y14.5M-2009.		OWN: M. SHIRK CHK: M. PHILLIPS APVD: -	26MAR2013 26MAR2013	TE Connectivity
DIMENSIONS: mm	TOLERANCES UNLESS OTHERWISE SPECIFIED: 0 PLC ± 0.10 1 PLC ± 0.10 2 PLC ± 0.10 3 PLC ± 0.10 4 PLC ± 0.10 ANGLES: \pm	PRODUCT SPEC: 108-2431 APPLICATION SPEC: 114-13319 WEIGHT: -	NAME: RECEPTACLE ASSEMBLY, 2X12, STACKED, zSFP+ THERMALLY ENHANCED	
MATERIAL: SEE NOTES	FINISH: SEE NOTES	CAGE CODE: A100779 DRAWING NO: C=2227838	RESTRICTED TO: -	SCALE: 2:1
		CUSTOMER DRAWING		SHEET 4 OF 5

LOC	DIST	REVISIONS					
GP	00	P	LTN	DESCRIPTION	DATE	DWN	APVD
		-		SEE SHEET 1			

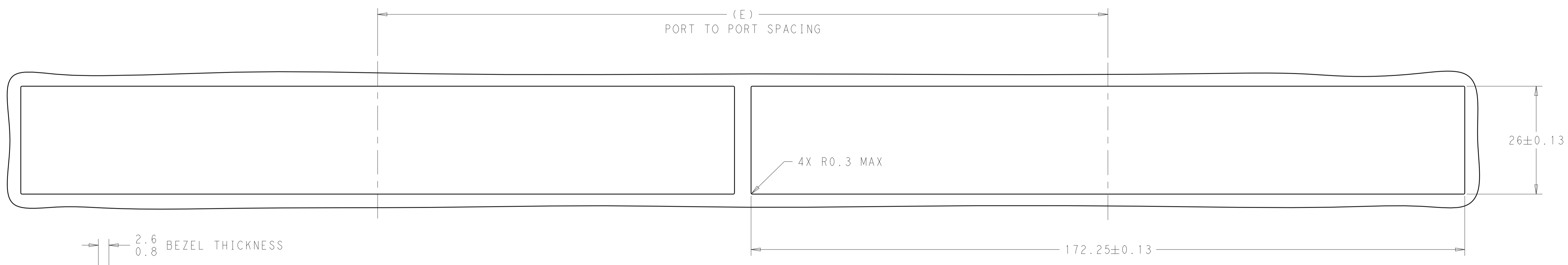


DETAIL C
 RECOMMENDED PIN AND LIGHT PIPE LAYOUT
 SCALE 10:1

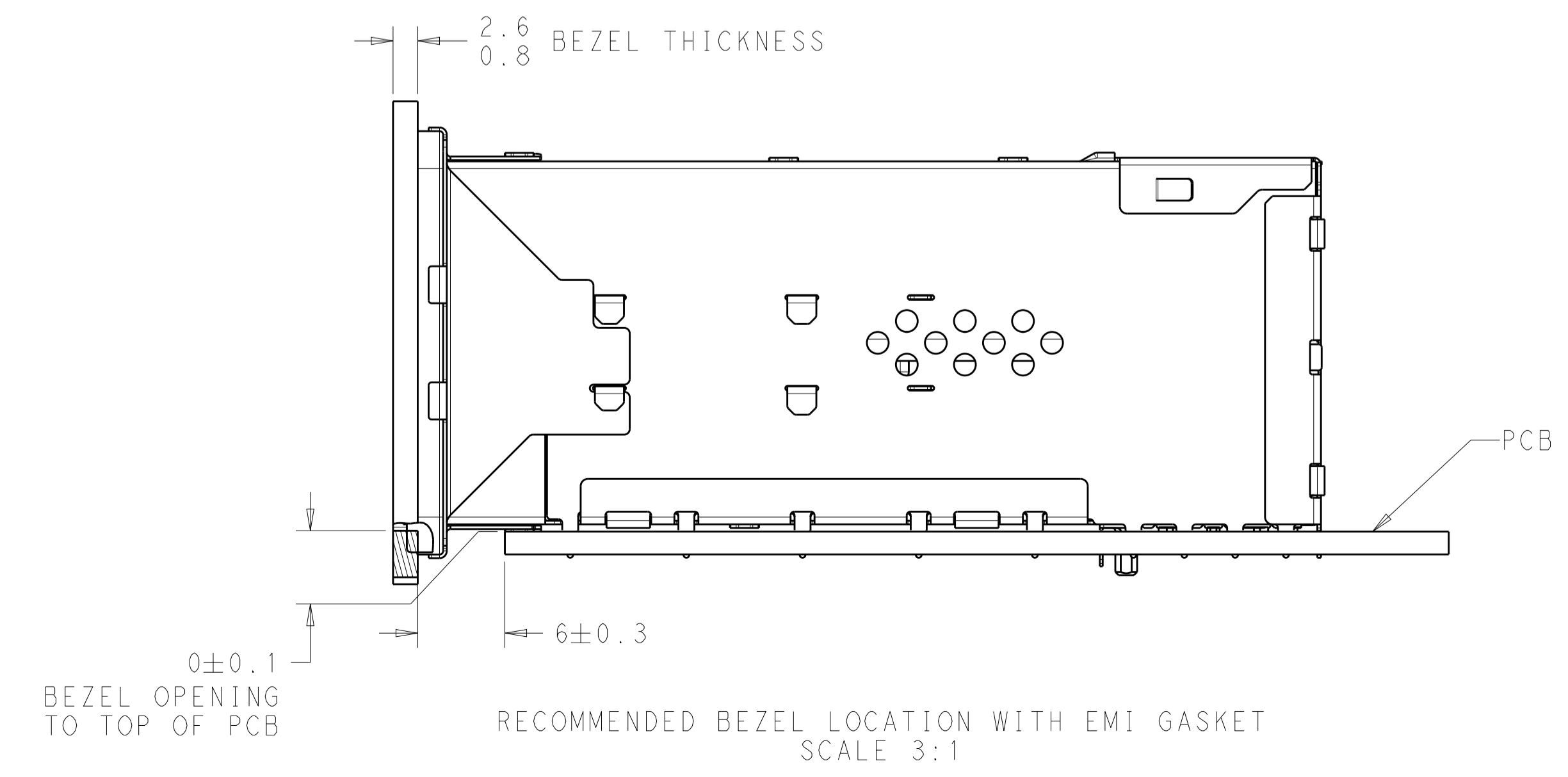


PIN MAP LEGEND	
PIN NUMBER	FUNCTION
L1/T1	VEET
L2/T2	TX-FAULT
L3/T3	TX-DISABLE
L4/T4	SDA
L5/T5	SCL
L6/T6	MOD_ABS
L7/T7	RS0
L8/T8	RX_LOS
L9/T9	RS1
L10/T10	VEER
L11/T11	VEER
L12/T12	RD-
L13/T13	RD+
L14/T14	VEER
L15/T15	VCCR
L16/T16	VCCT
L17/T17	VEET
L18/T18	TD+
L19/T19	TD-
L20/T20	VEET

DETAIL D
 PIN MAP
 12 PLACES
 SCALE 20:1



RECOMMENDED BEZEL CUT OUT DETAIL



RECOMMENDED BEZEL LOCATION WITH EMI GASKET
 SCALE 3:1

THIS DRAWING IS A CONTROLLED DOCUMENT. DIMENSIONING AND TOLERANCING PER ASME Y14.5M-2009		DWN: M. SHIRK 26MAR2013 CHK: M. PHILLIPS 26MAR2013	TE Connectivity	
DIMENSIONS: mm	TOLERANCES UNLESS OTHERWISE SPECIFIED:	APVD: -	NAME: RECEPTACLE ASSEMBLY, 2X12, STACKED, zSFP+ THERMALLY ENHANCED	RESTRICTED TO: -
0 PLC ±0.10	1 PLC ±0.10	PRODUCT SPEC: 108-2431	SIZE: A1	CAGE CODE: 114-13319
2 PLC ±0.10	3 PLC ±0.10	APPLICATION SPEC: -	WEIGHT: -	DRAWING NO: 2227838
4 PLC ±0.10	ANGLES: ±°	FINISH: -	MATERIAL: -	SCALE: 2:1
SEE NOTES	SEE NOTES	CUSTOMER DRAWING	SHEET 5 OF 5	REV A